

US00D934349S

(12) **United States Design Patent**
Kruger et al.

(10) **Patent No.:** **US D934,349 S**
(45) **Date of Patent:** **** Oct. 26, 2021**

(54) **CHILD'S RIDE-ON VEHICLE**

2016/0304152 A1* 10/2016 Mazoyer B62K 9/00
2018/0257727 A1* 9/2018 Ye B62K 3/002
2019/0210626 A1* 7/2019 Mazoyer B62K 5/02

(71) Applicant: **Chrome Cherry Design Studio (Pty) Ltd, Cape Town (ZA)**

* cited by examiner

(72) Inventors: **Jaco Kruger, Gordons Bay (ZA); Max Basler, Cape Town (ZA)**

Primary Examiner — Cynthia M. Chin
(74) *Attorney, Agent, or Firm* — Womble Bond Dickinson (US) LLP

(73) Assignee: **Chrome Cherry Design Studio (Pty) Ltd, Cape Town (ZA)**

(**) Term: **15 Years**

(57) **CLAIM**

(21) Appl. No.: **29/701,273**

The ornamental design for a child's ride-on vehicle, as shown and described.

(22) Filed: **Aug. 9, 2019**

(51) **LOC (13) Cl.** **21-01**

DESCRIPTION

(52) **U.S. Cl.**
USPC **D21/426**

(58) **Field of Classification Search**
USPC D21/419, 421, 423, 426-428, 435,
D21/668-671, 760, 765, 771; D12/108,
D12/111-112, 129, 130
CPC . B62K 3/002; B62K 9/00; B62K 9/02; B62K
13/00; B62K 13/04; B62K 2202/00;
B62B 7/00; B62B 7/04; B62B 7/06
See application file for complete search history.

FIG. 1 is a front-right-top axonometric view of the child's ride-on vehicle and showing the new design;
FIG. 2 is a left side elevational view of the child's ride-on vehicle of FIG. 1;
FIG. 3 is a right side elevational view of the child's ride-on vehicle and rotated 180 degrees relative to FIG. 2;
FIG. 4 is a front elevational view of the child's ride-on vehicle of FIG. 1;
FIG. 5 is a rear elevational view of the child's ride-on vehicle and rotated 180 degrees relative to FIG. 4;
FIG. 6 is a bottom plan view of the child's ride-on vehicle of FIG. 1; and,
FIG. 7 is a top plan view of the child's ride-on vehicle of FIG. 1.

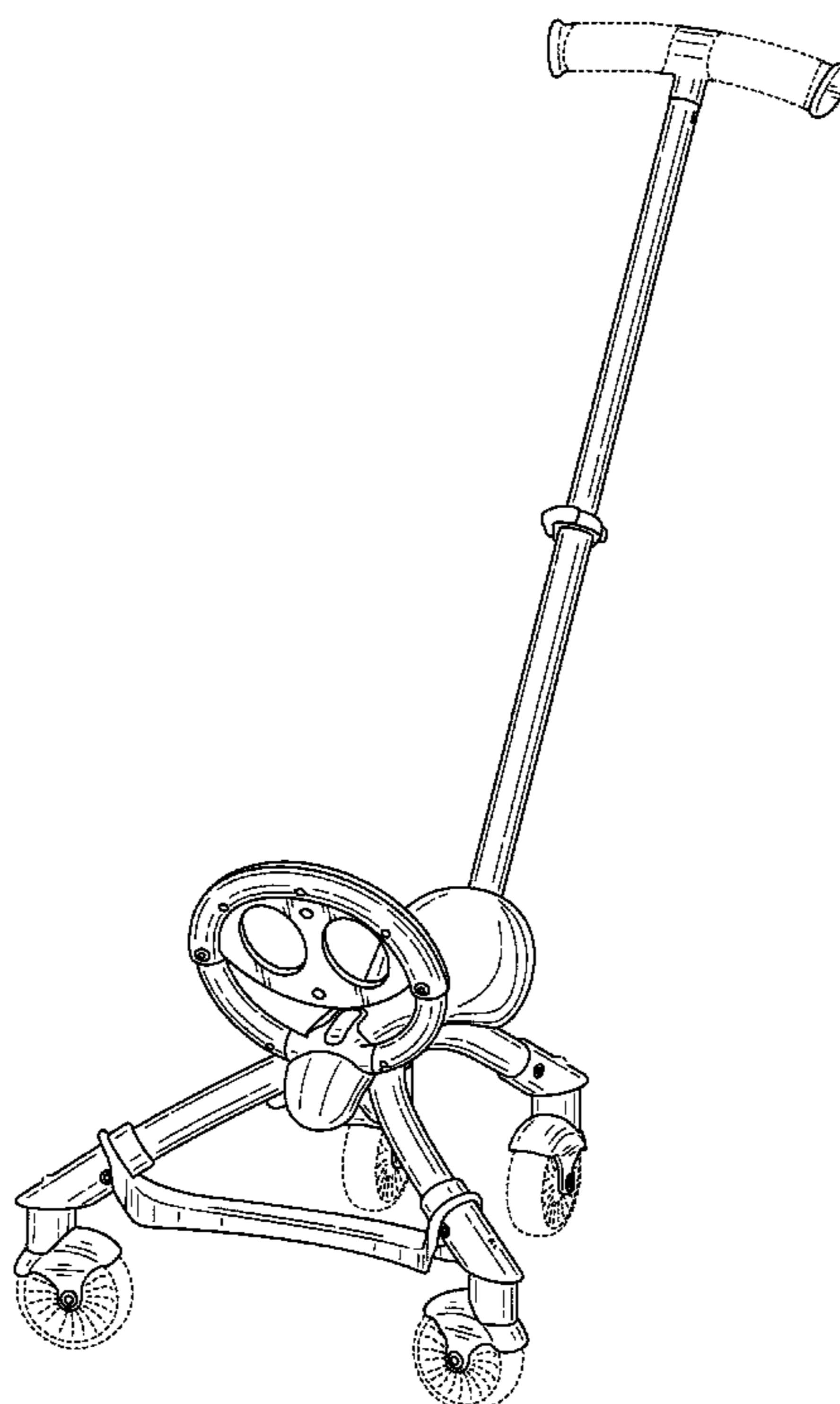
The dashed lines are for the purpose of illustrating portions of the article that form no part of the claimed design.

(56) **References Cited**

U.S. PATENT DOCUMENTS

D571,864 S * 6/2008 On D21/424
D579,502 S * 10/2008 Hourdeaux D21/426
D652,085 S 1/2012 Van Der Mere et al.
D680,175 S * 4/2013 Nielsen D21/435
D885,492 S * 5/2020 Zhang D21/423

1 Claim, 7 Drawing Sheets



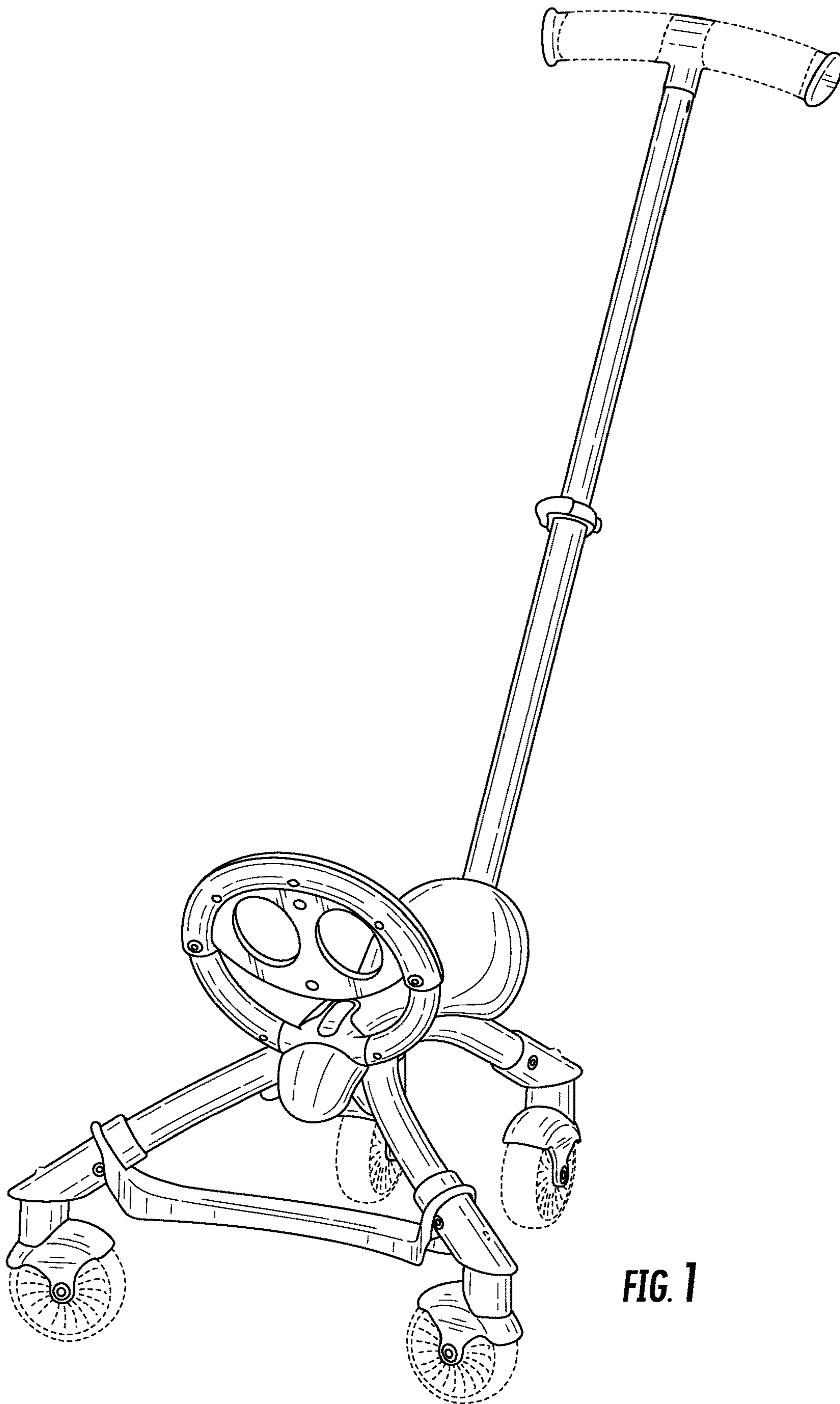


FIG. 1

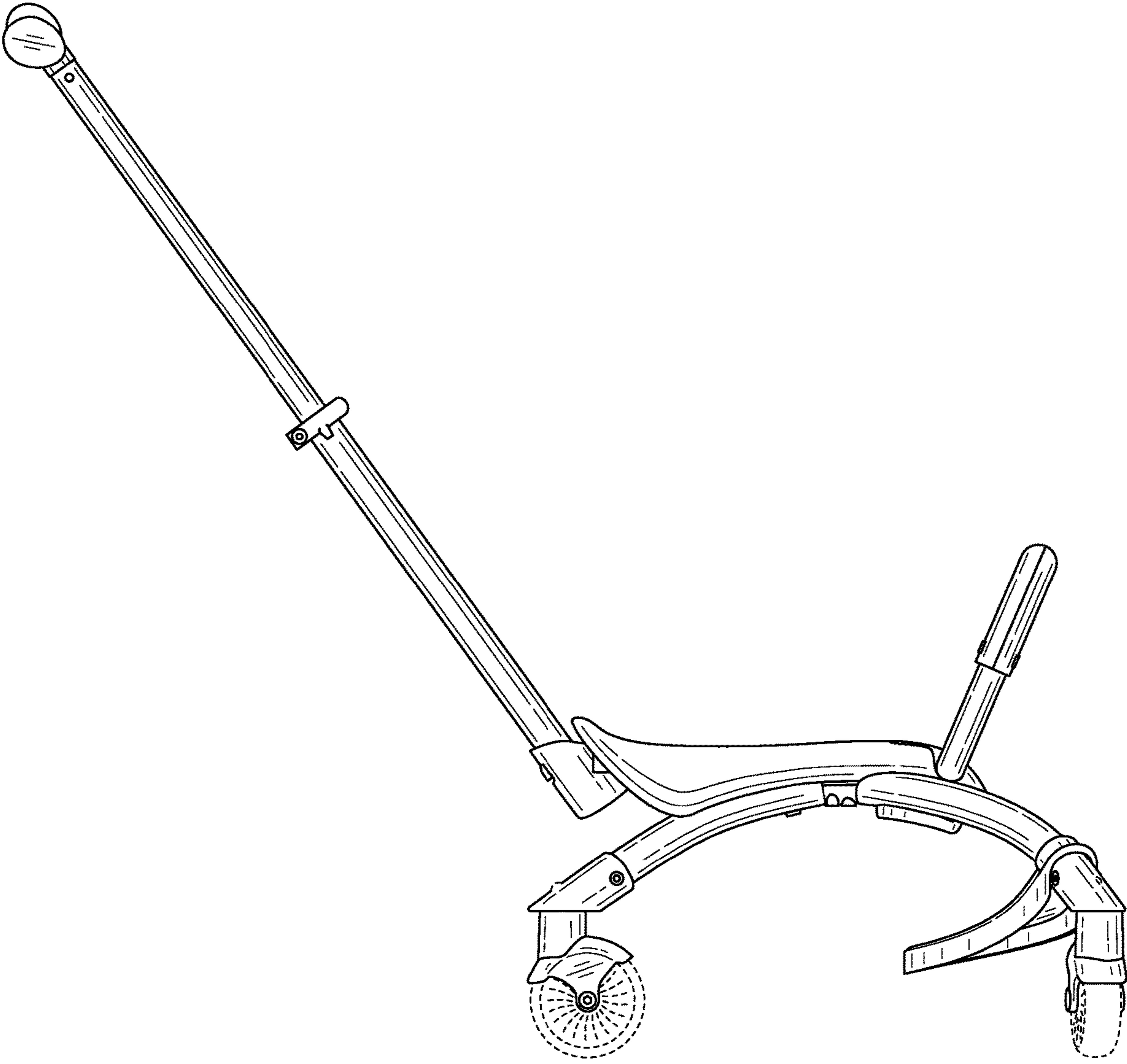


FIG. 2

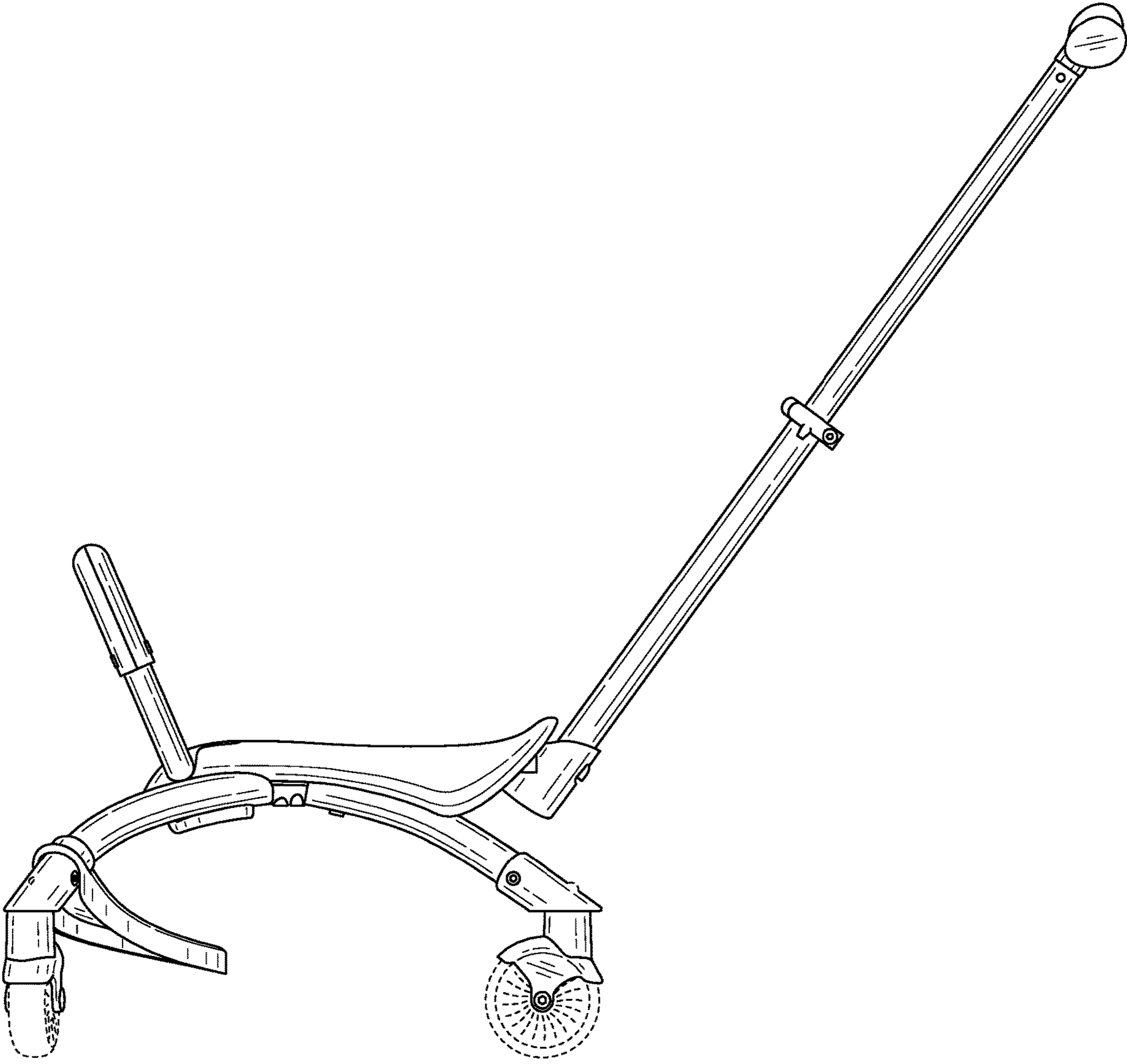


FIG. 3

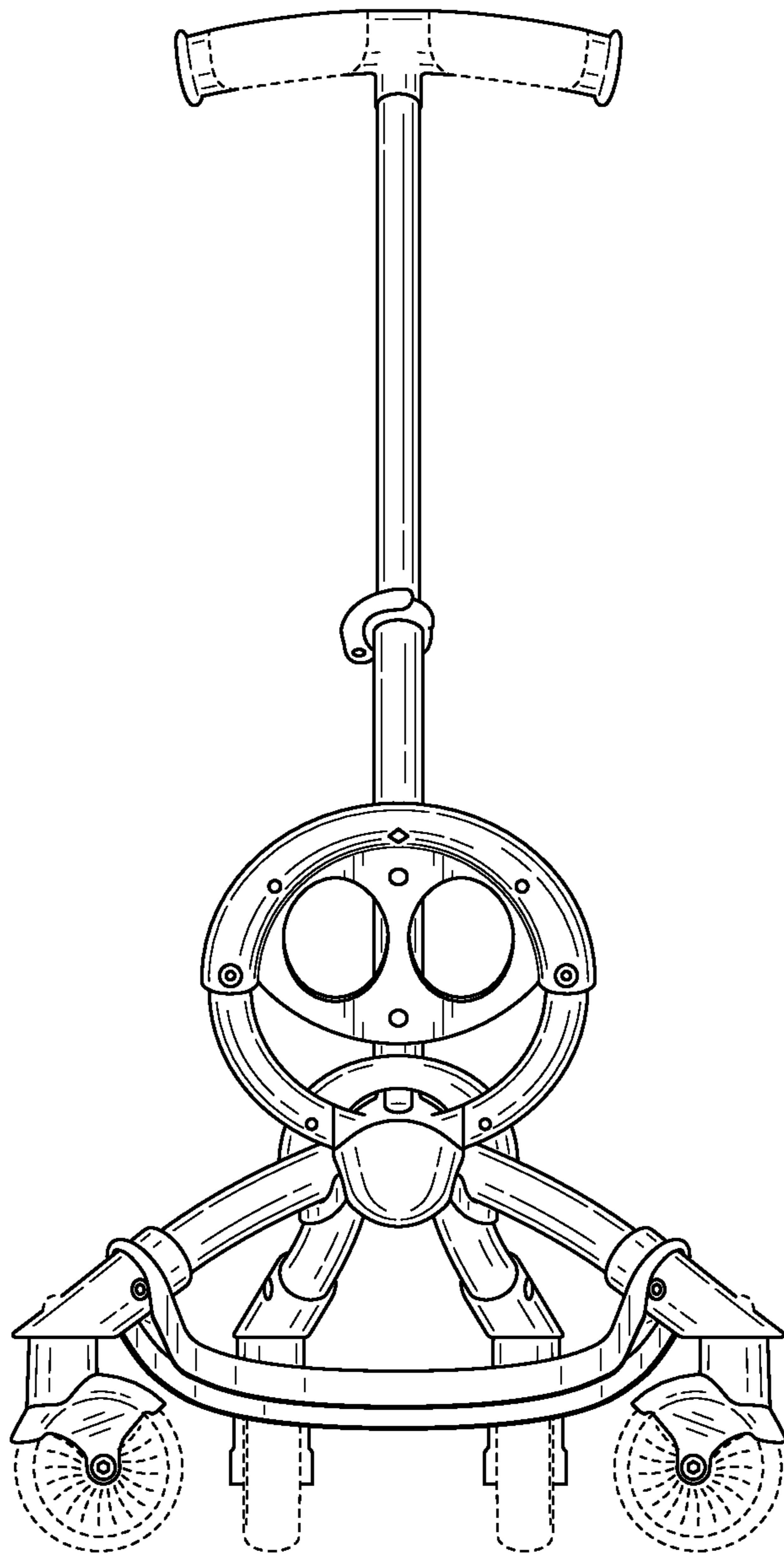


FIG. 4

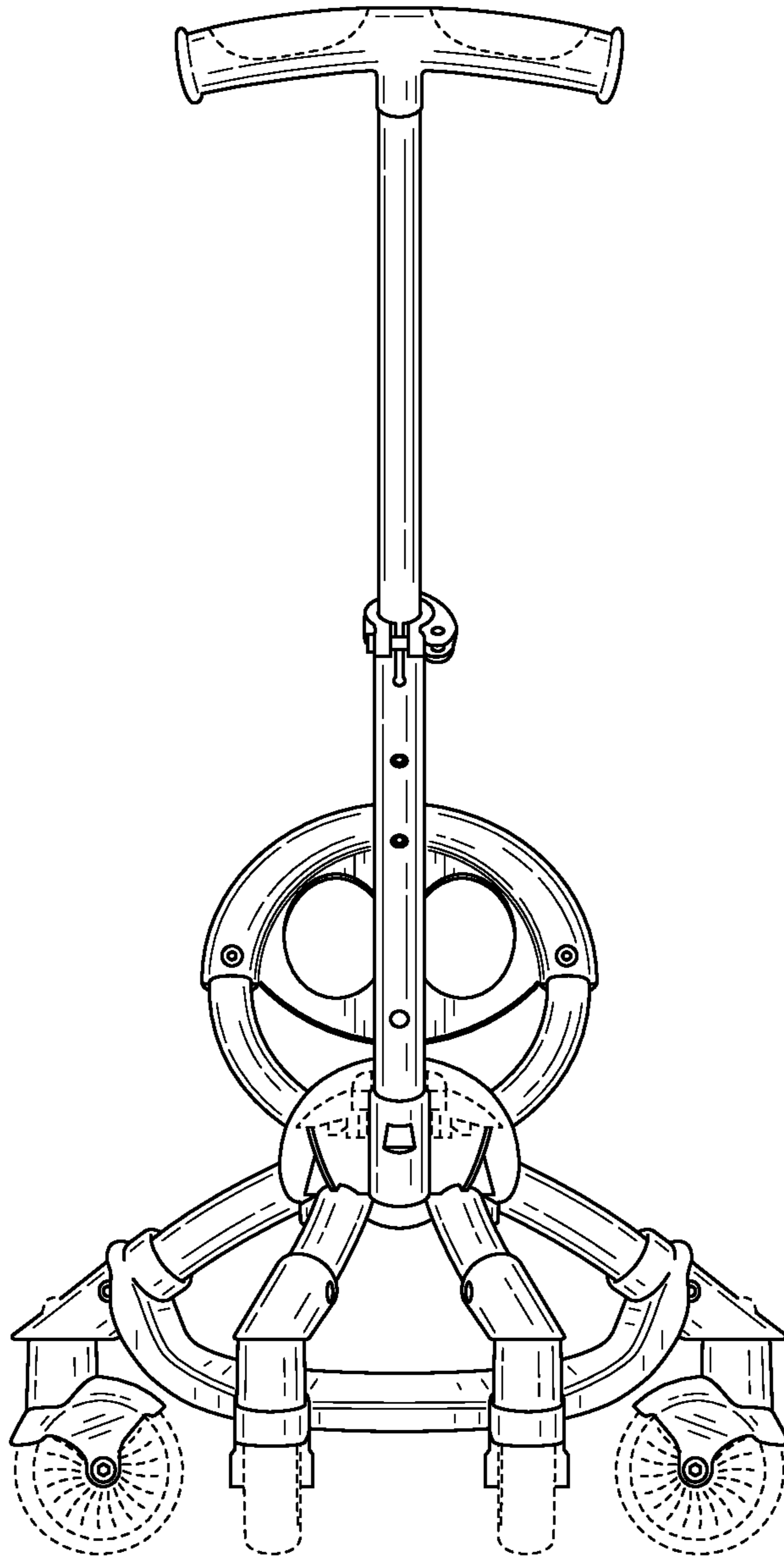


FIG. 5

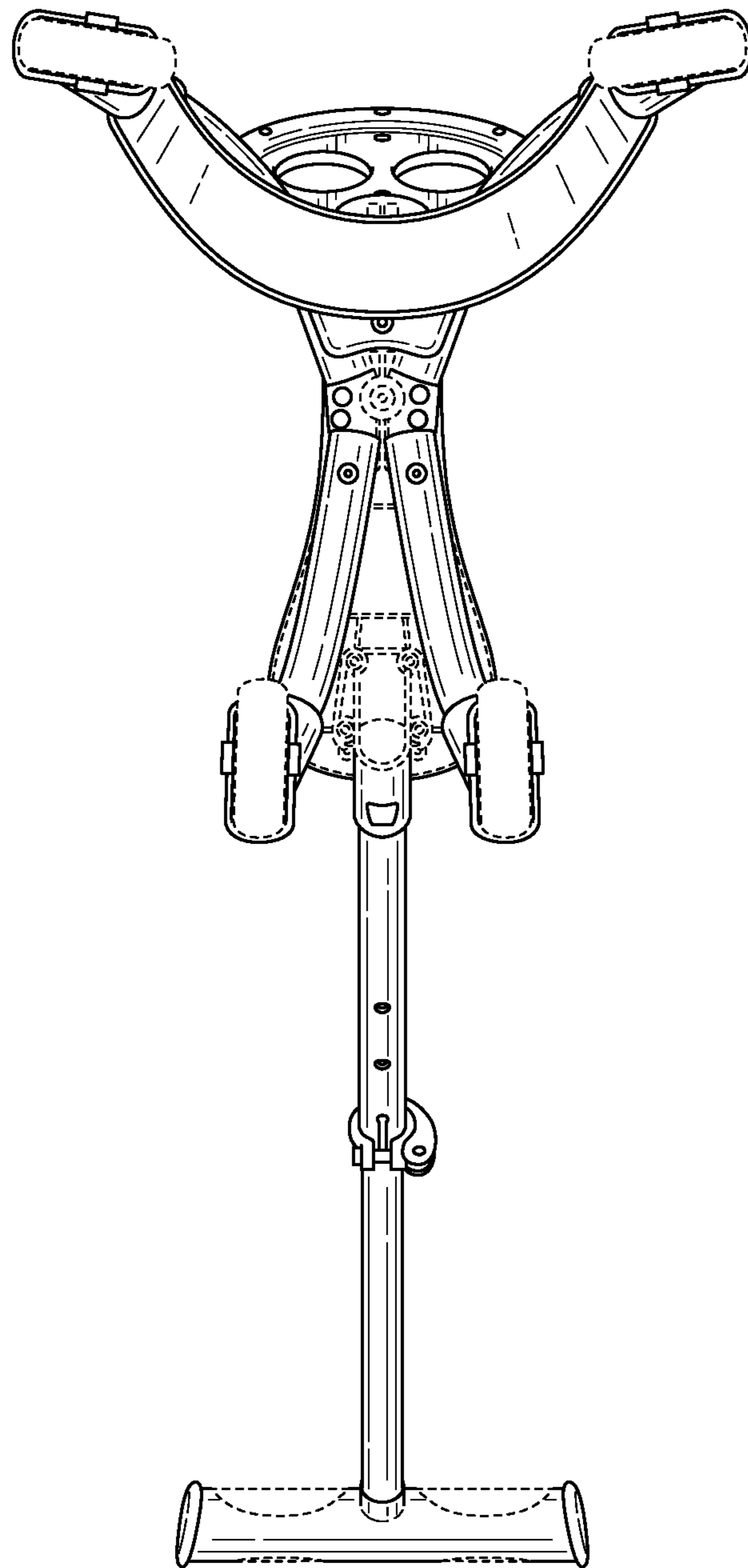


FIG. 6

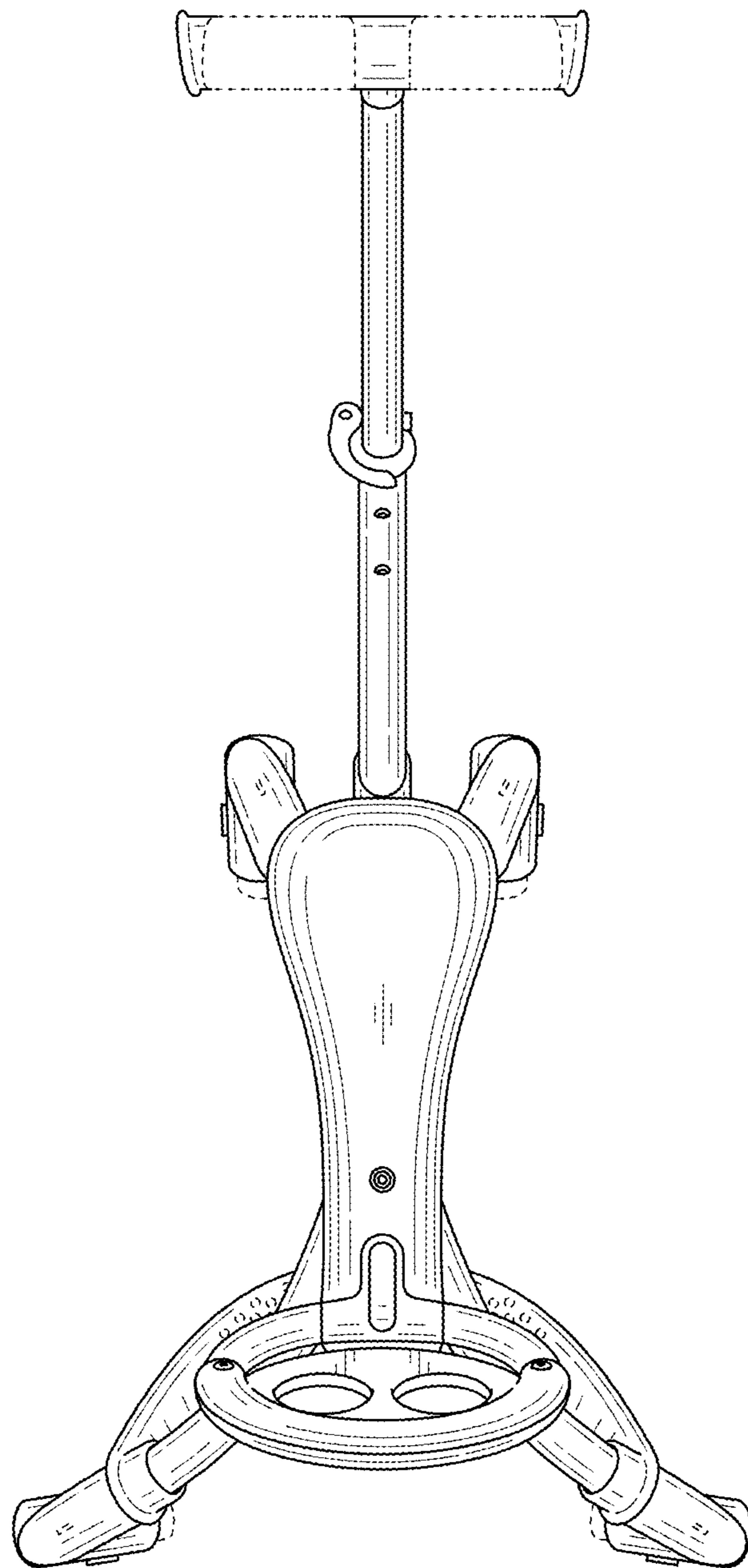


FIG. 7