



US00D934348S

(12) **United States Design Patent**
Han

(10) **Patent No.:** **US D934,348 S**

(45) **Date of Patent:** **** Oct. 26, 2021**

(54) **STORAGE BOX FOR GAME CARD**

(71) Applicant: **Shenyang Hantaiyuan Trading Co., Ltd, Shenyang (CN)**

(72) Inventor: **Huashu Han, Anshan (CN)**

(**) Term: **15 Years**

(21) Appl. No.: **29/766,804**

(22) Filed: **Jan. 19, 2021**

(51) **LOC (13) Cl.** **21-16**

(52) **U.S. Cl.**

USPC **D21/392**

(58) **Field of Classification Search**

USPC D21/392, 396; D9/414, 432, 433;
D3/302, 310; D14/308, 356

CPC B65D 5/62; B65D 5/36

See application file for complete search history.

(56) **References Cited**

U.S. PATENT DOCUMENTS

| | | | | |
|--------------|---------|---------|-------|---------|
| D543,453 S * | 5/2007 | Fu | | D21/392 |
| D577,196 S | 9/2008 | Hayden | | |
| D578,577 S * | 10/2008 | Toyama | | D21/396 |
| D728,931 S | 5/2015 | Faupel | | |
| D745,384 S * | 12/2015 | Park | | D9/414 |
| D771,383 S * | 11/2016 | Vincent | | D3/310 |
| D807,879 S * | 1/2018 | Kacin | | D14/356 |

| | | | | |
|-----------------|---------|-----------------|-------|-----------|
| D808,388 S * | 1/2018 | Kacin | | D14/356 |
| D810,077 S * | 2/2018 | Kacin | | D14/356 |
| D812,053 S * | 3/2018 | Kacin | | D14/356 |
| 10,034,525 B2 * | 7/2018 | Morelli Carullo | | B65D 5/36 |
| D851,401 S | 6/2019 | Zhang | | |
| 10,364,060 B2 * | 7/2019 | Etem | | B65D 5/62 |
| D864,569 S * | 10/2019 | Hsieh | | D3/302 |
| D885,178 S * | 5/2020 | Metry | | D9/432 |

* cited by examiner

Primary Examiner — George D. Kirschbaum

(57) **CLAIM**

The ornamental design for a storage box for game card, as shown and described.

DESCRIPTION

FIG. 1 is a perspective view of a storage box for game card showing my new design;

FIG. 2 is a front view thereof;

FIG. 3 is a back view thereof;

FIG. 4 is a left side view thereof;

FIG. 5 is a right side view thereof;

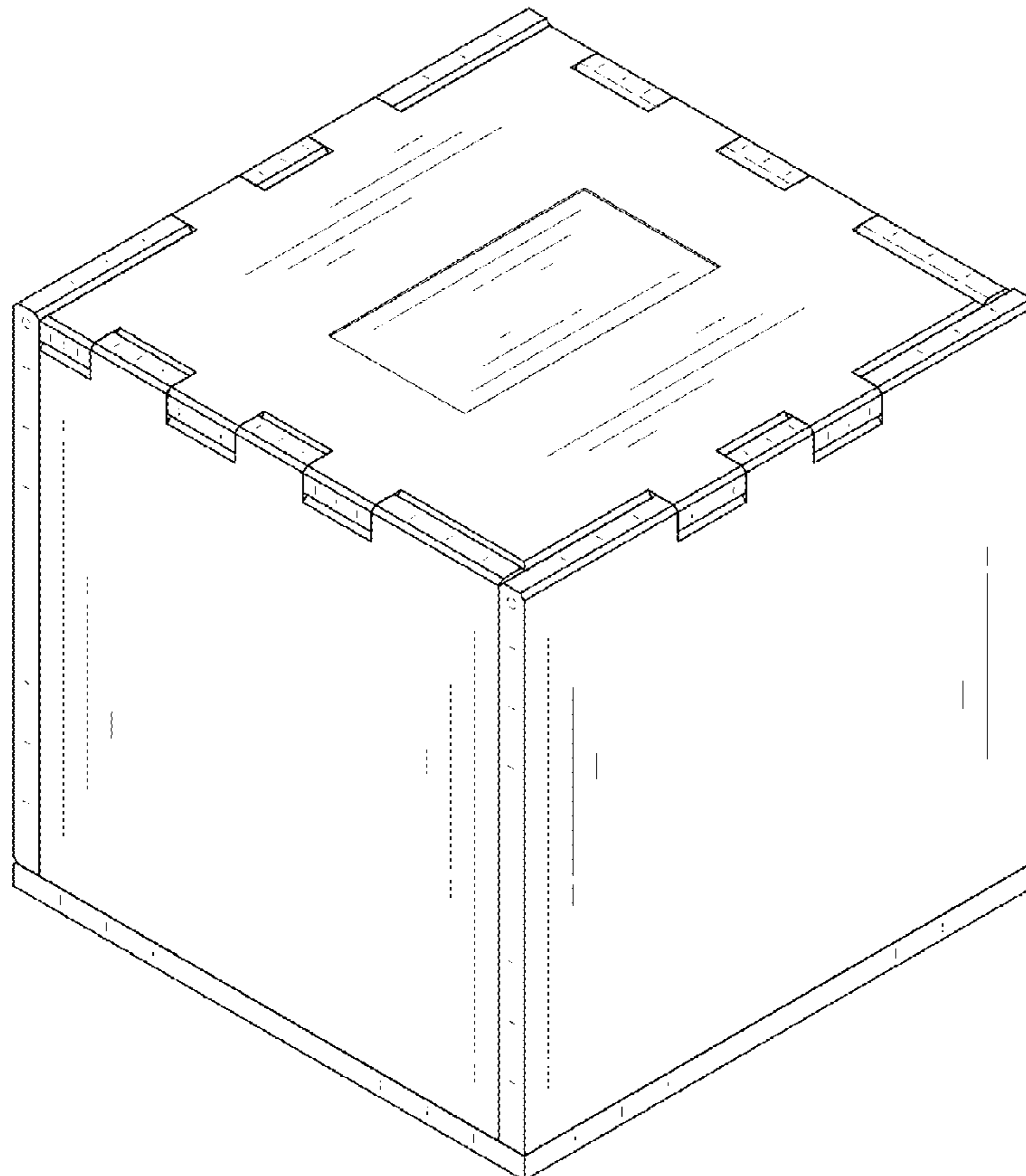
FIG. 6 is a top view thereof;

FIG. 7 is a bottom view thereof; and,

FIG. 8 is a perspective view of another state of the storage box for game card thereof.

The broken lines shown in the drawings depict portions of the storage box for game card in which the design is embodied that form no part of the claimed design.

1 Claim, 8 Drawing Sheets



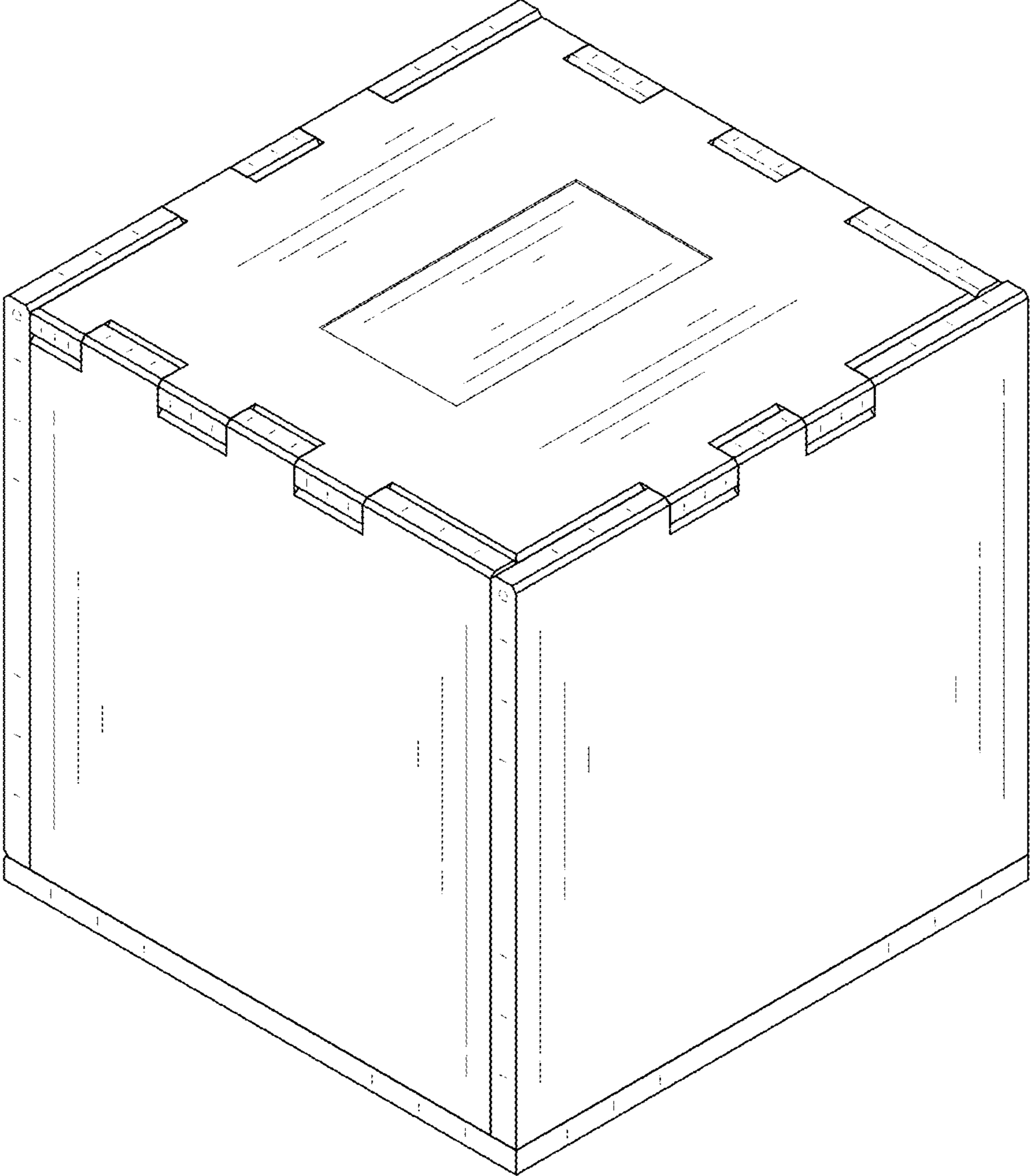


FIG. 1

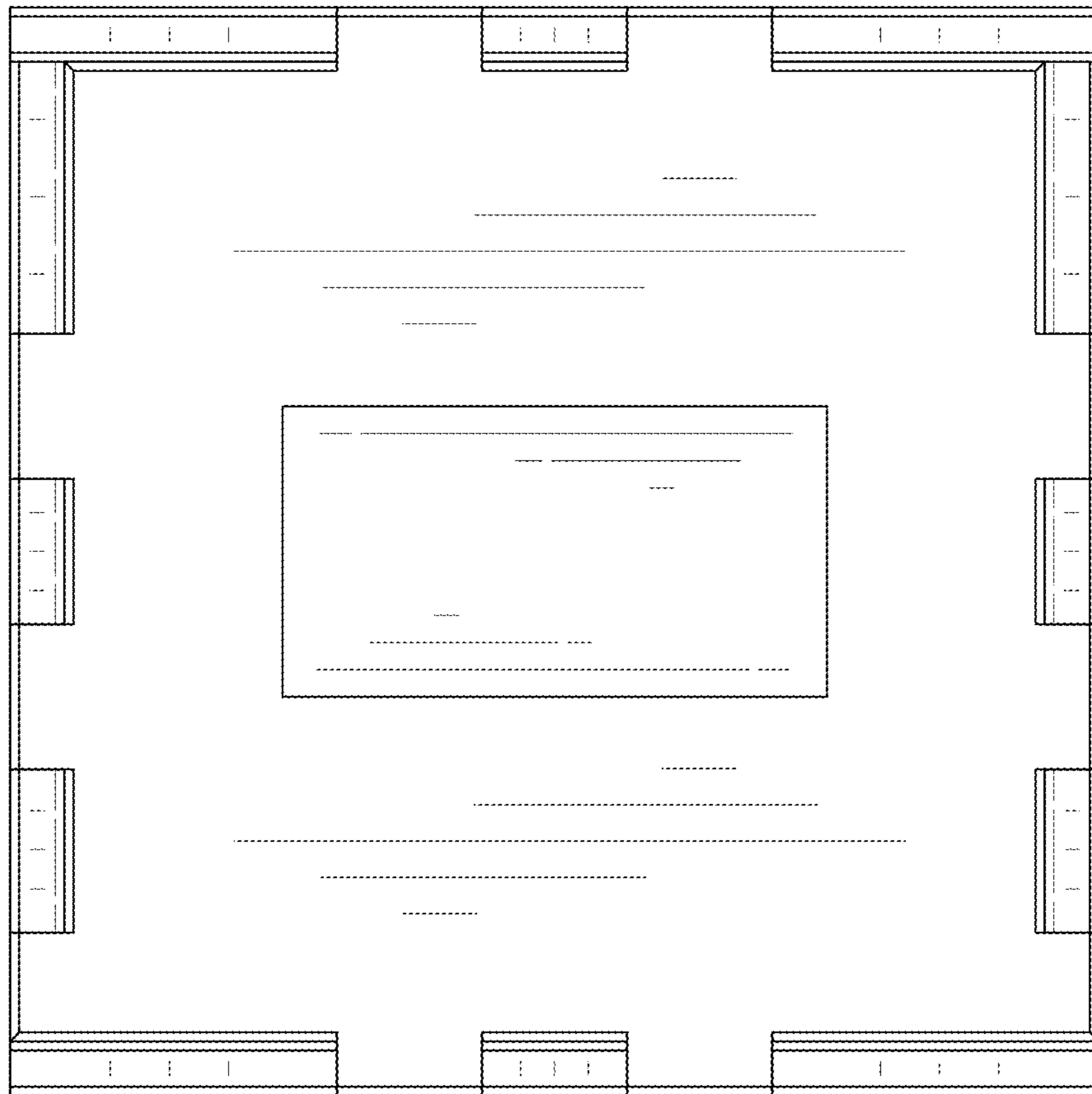


FIG. 2

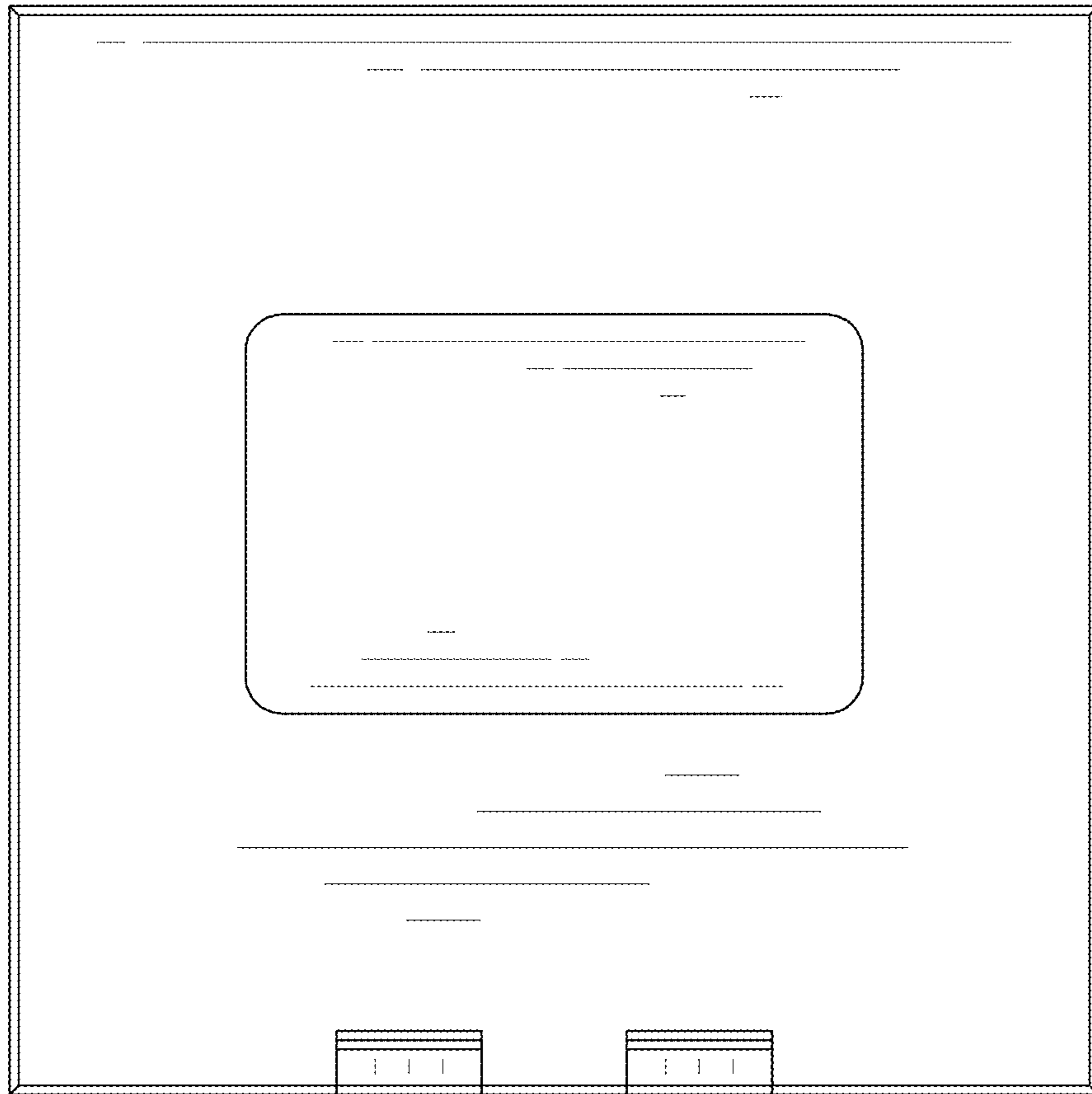


FIG. 3

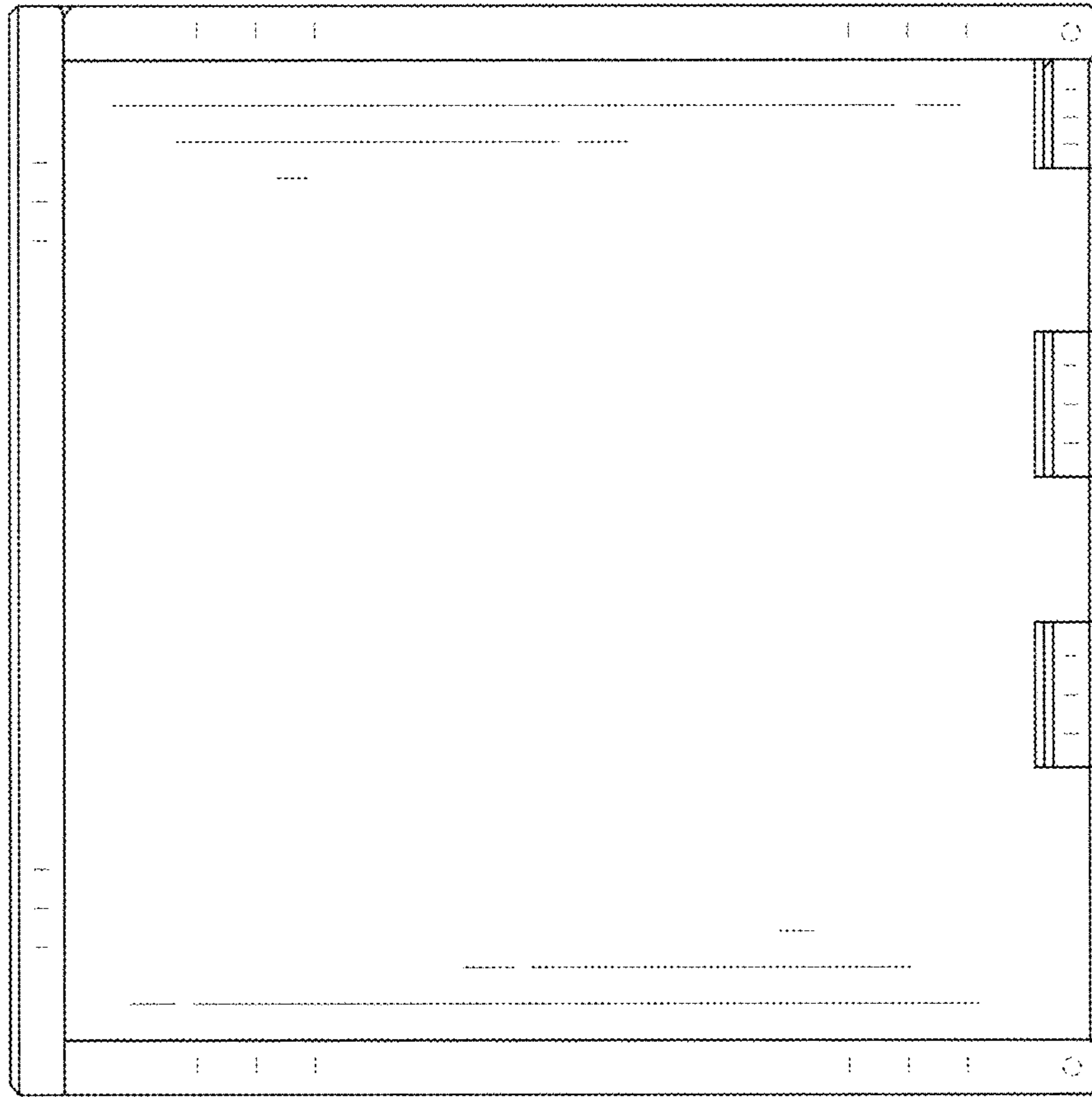


FIG. 4

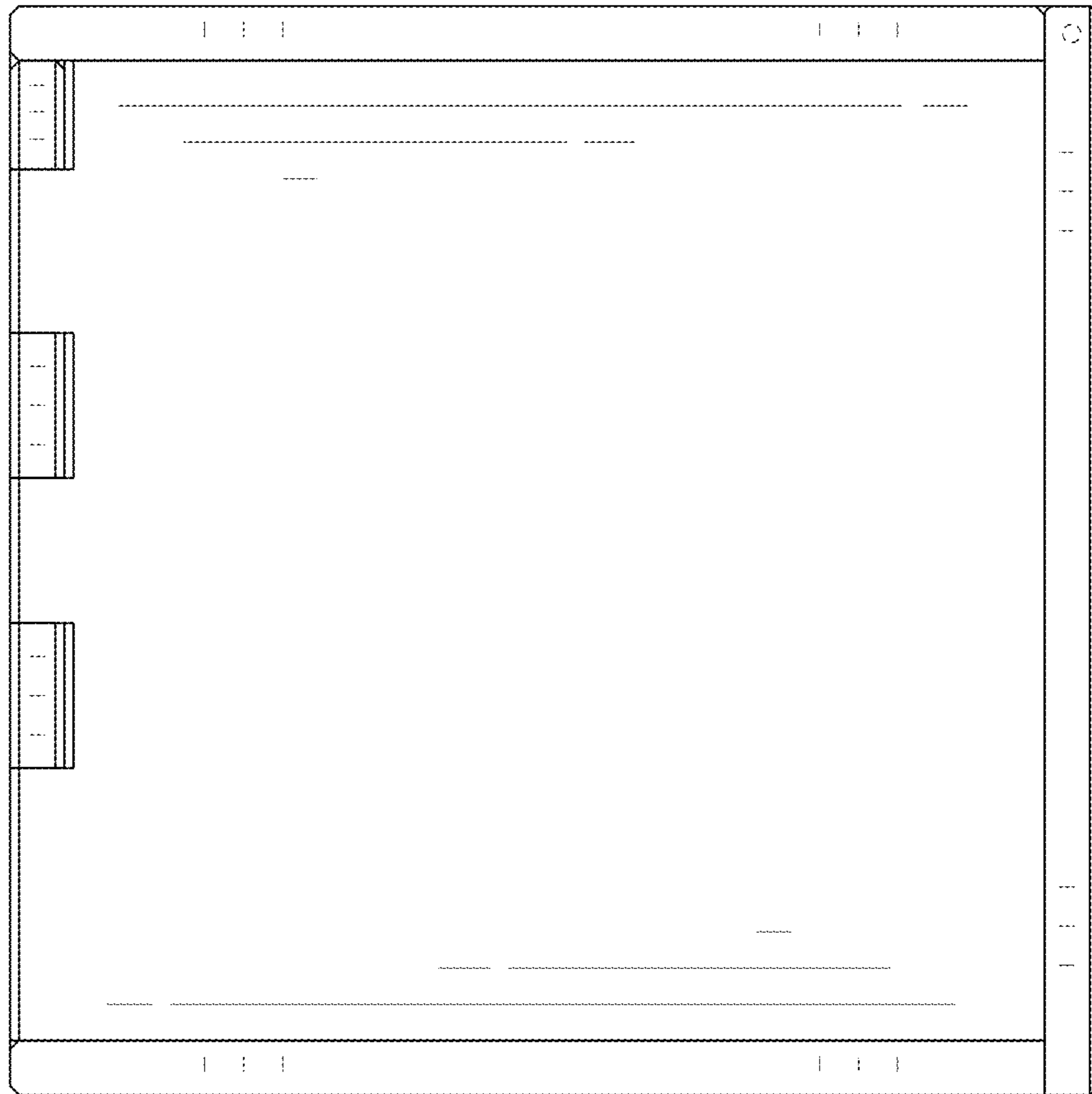


FIG. 5

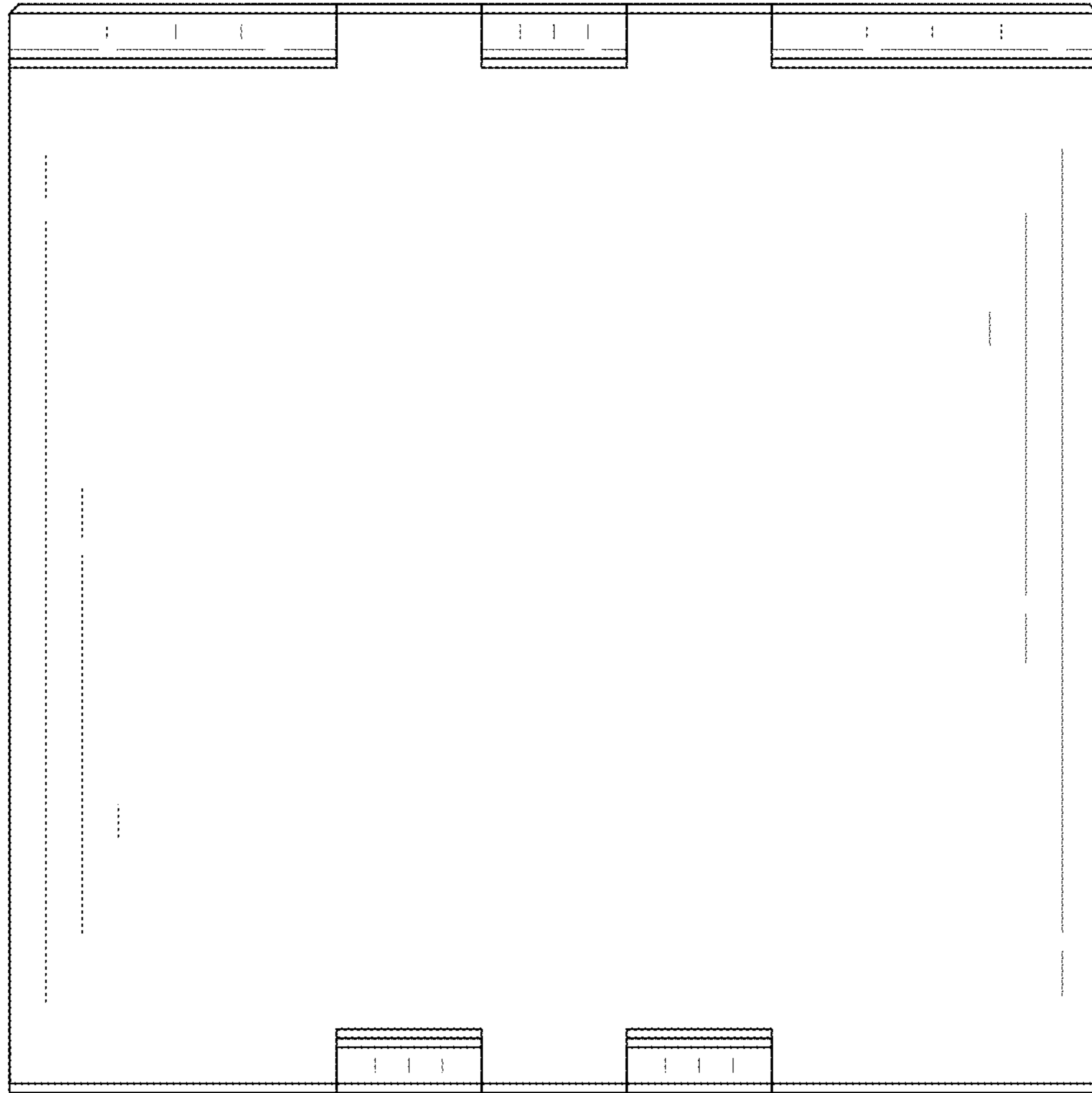


FIG. 6

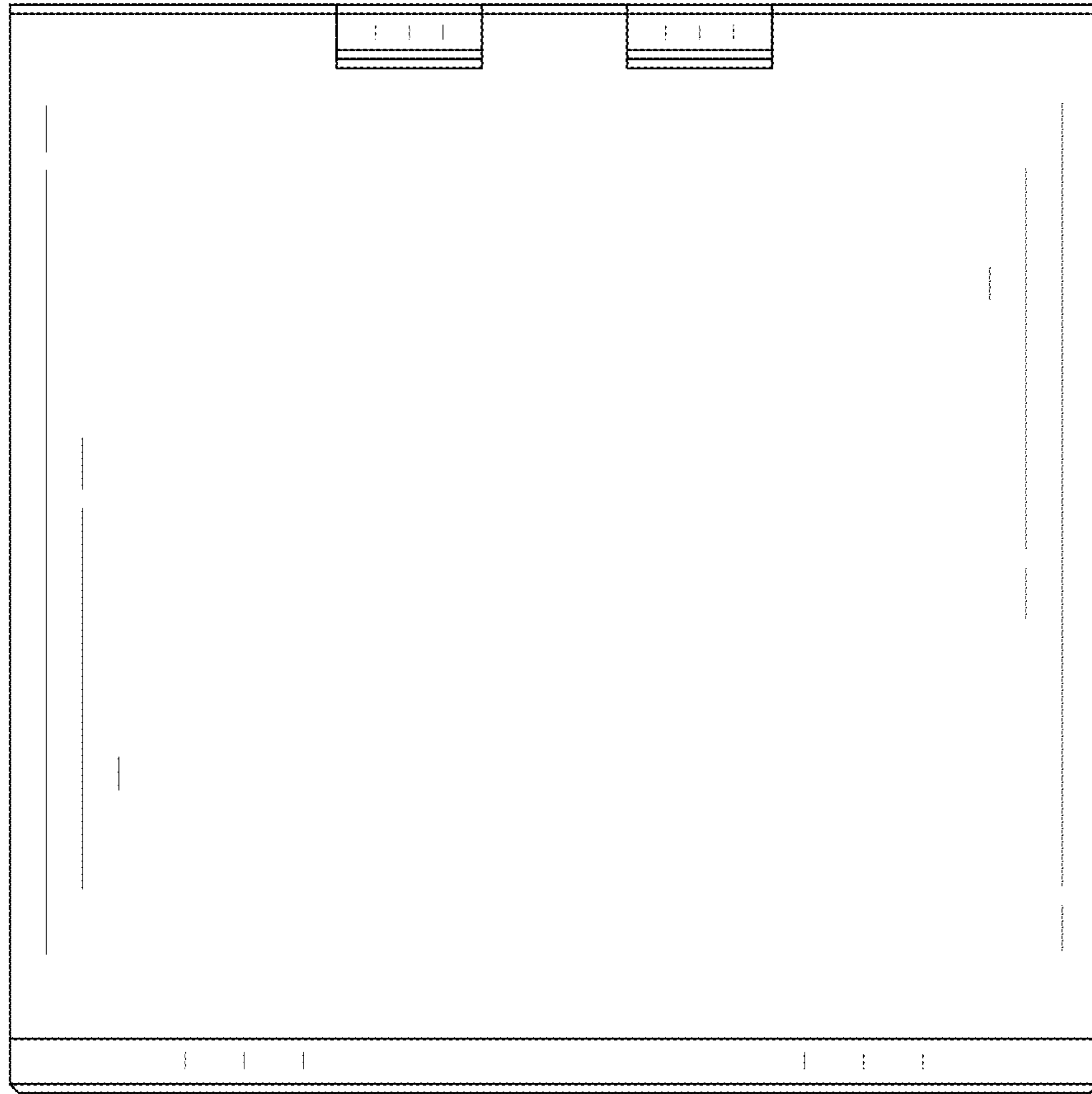


FIG. 7

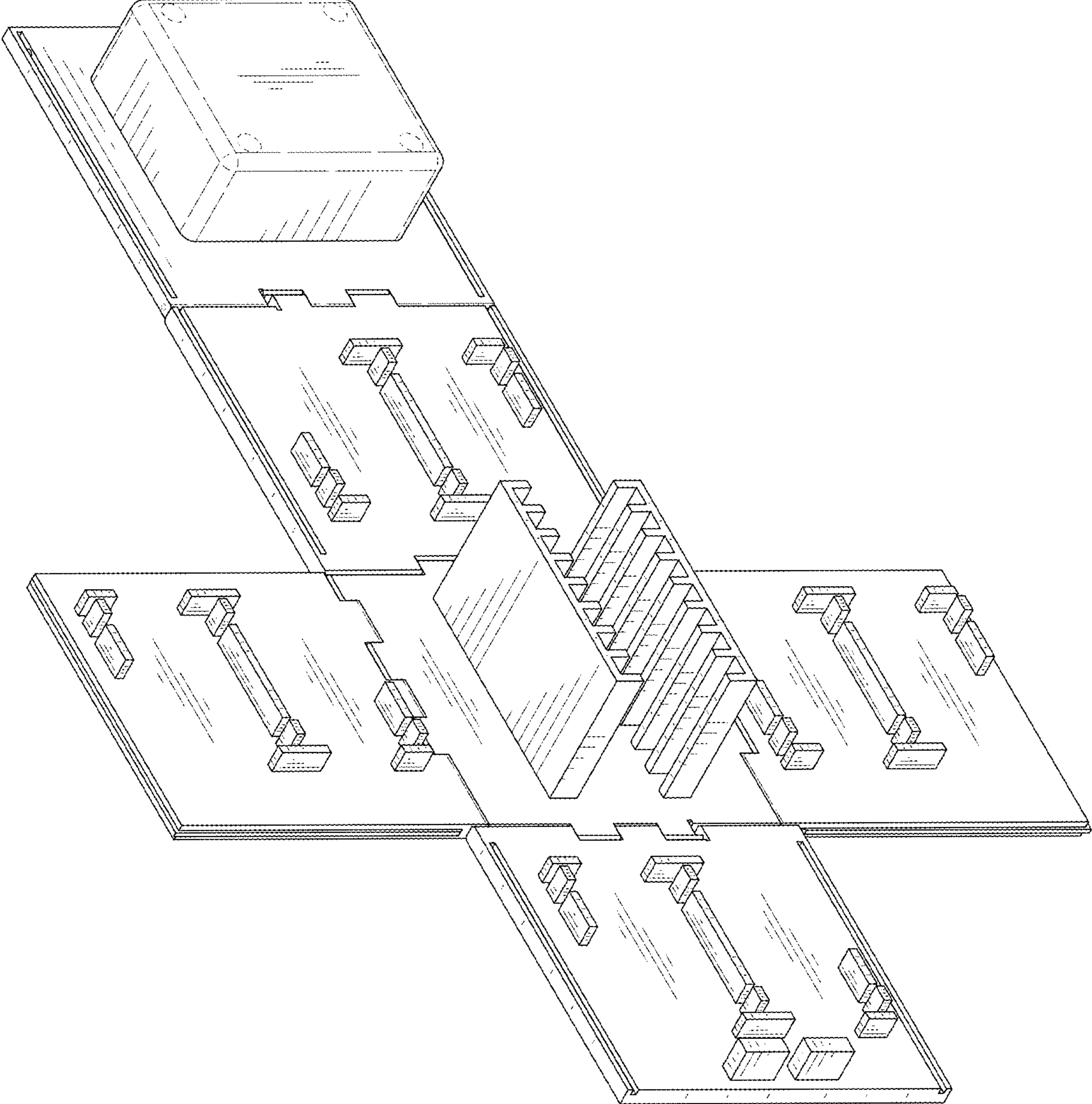


FIG. 8