



US00D934346S

(12) **United States Design Patent** (10) **Patent No.:** **US D934,346 S**
Olive et al. (45) **Date of Patent:** **** Oct. 26, 2021**

(54) **GAMING MACHINE ISLAND**
(71) Applicant: **Aristocrat Technologies Australia Pty Limited**, North Ryde (AU)
(72) Inventors: **Scott Olive**, Brookvale (AU); **John Curtis**, Biddaddaba (AU)
(73) Assignee: **Aristocrat Technologies Australia Pty Limited**
(**) Term: **15 Years**

D458,558 S * 6/2002 Tschetter D11/26
D571,440 S * 6/2008 Kanao D23/262
D572,770 S * 7/2008 Seelig D21/370
D665,953 S * 8/2012 Leary A01K 13/001
D714,875 S * 10/2014 Wudtke D21/385
9,728,031 B2 * 8/2017 Schultz G07F 17/3272
10,019,873 B2 * 7/2018 Okuaki G07F 17/329
D845,258 S * 4/2019 D'Ambrosio D14/125
D859,335 S * 9/2019 D'Ambrosio D14/125
D877,811 S * 3/2020 Bernard D21/369
D880,605 S * 4/2020 Bussey D21/369
(Continued)

(21) Appl. No.: **29/771,639**
(22) Filed: **Feb. 24, 2021**

OTHER PUBLICATIONS

Notice of Allowance dated Feb. 4, 2021 for U.S. Appl. No. 29/708,289 (pp. 1-10).

Related U.S. Application Data

(62) Division of application No. 29/708,289, filed on Oct. 4, 2019, now Pat. No. Des. 914,807.

(51) **LOC (13) Cl.** **21-03**
(52) **U.S. Cl.**
USPC **D21/369**

(58) **Field of Classification Search**
USPC D21/369, 308, 324, 333, 334, 366, 367, D21/392, 395, 397, 300, 371, 374, 376, D21/380, 385, 363, 365, 325, 329; D6/308, 309; D11/3, 26, 27, 28, 29, 30, D11/31, 32, 33, 34, 35, 36, 37, 38, 39
CPC G07F 17/3213; A44C 5/00
See application file for complete search history.

(56) **References Cited**

U.S. PATENT DOCUMENTS

D326,285 S * 5/1992 Leveille D21/347
5,215,659 A * 6/1993 Ando A47J 31/605
210/282
D360,019 S * 7/1995 Sonden D23/262
D361,154 S * 8/1995 Makinen D27/102
D369,850 S * 5/1996 Cammack D23/209
D444,508 S * 7/2001 George D21/363

Primary Examiner — Khawaja Anwar
Assistant Examiner — Julice Seung Eun Oum
(74) *Attorney, Agent, or Firm* — McAndrews, Held & Malloy, Ltd.

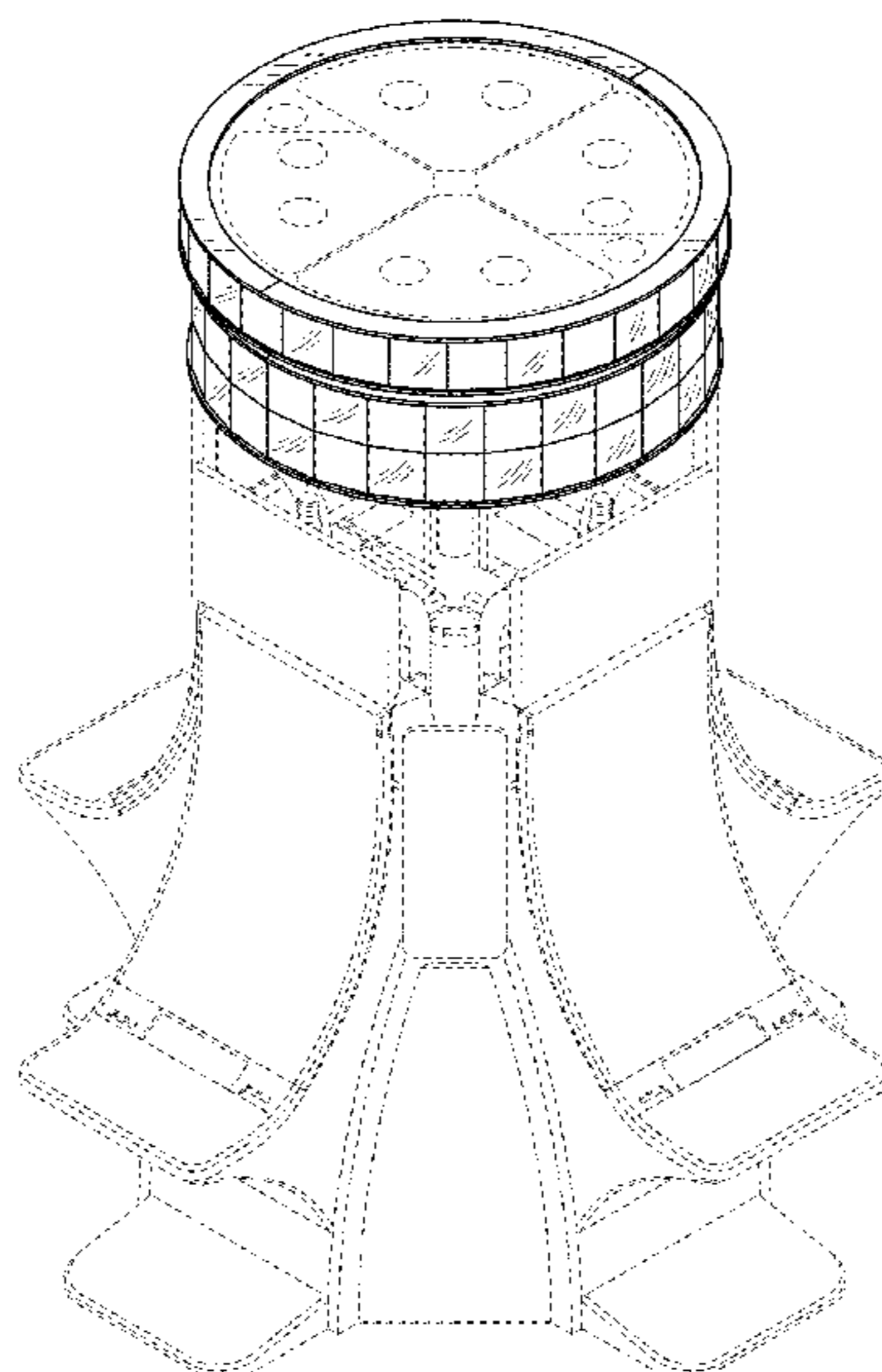
(57) **CLAIM**

The ornamental design for a gaming machine island, as shown and described.

DESCRIPTION

FIG. 1 is a front perspective view of a gaming machine island showing our new design according to a first embodiment;
FIG. 2 is a front elevation view thereof;
FIG. 3 is a rear elevation view thereof;
FIG. 4 is a right side elevation view thereof;
FIG. 5 is a left side elevation view thereof;
FIG. 6 is a top plan view thereof; and,
FIG. 7 is a bottom plan view thereof.
The dashed broken lines in the figures illustrate portions of the gaming machine island that form no part of the claimed design.

1 Claim, 7 Drawing Sheets



(56)

References Cited

U.S. PATENT DOCUMENTS

D882,699	S *	4/2020	Bernard	D21/385
D882,700	S *	4/2020	Wudtke	D21/385
D883,393	S *	5/2020	Bernard	D21/385
D891,520	S *	7/2020	Urban	D21/385
D900,229	S *	10/2020	Bussey	D21/369
D904,523	S *	12/2020	Legras	D21/369
D906,155	S *	12/2020	Freiberg	D11/26
D911,207	S *	2/2021	Grace	D11/3
D913,140	S *	3/2021	Grace	D11/3
D916,969	S *	4/2021	Fleming, Jr.	D20/10
2001/0008074	A1 *	7/2001	Radley-Smith	A44C 5/0015 63/3
2005/0189906	A1 *	9/2005	Sun	A44C 5/0007 320/107
2014/0326022	A1 *	11/2014	Tosyali	A44C 9/02 63/15.1
2019/0102974	A1 *	4/2019	Bussey	G07F 17/3211
2020/0364969	A1 *	11/2020	Pececnik	G07F 17/322
2020/0372757	A1 *	11/2020	Cire	G07F 17/3223
2020/0388106	A1 *	12/2020	Urban	G07F 17/3213

* cited by examiner

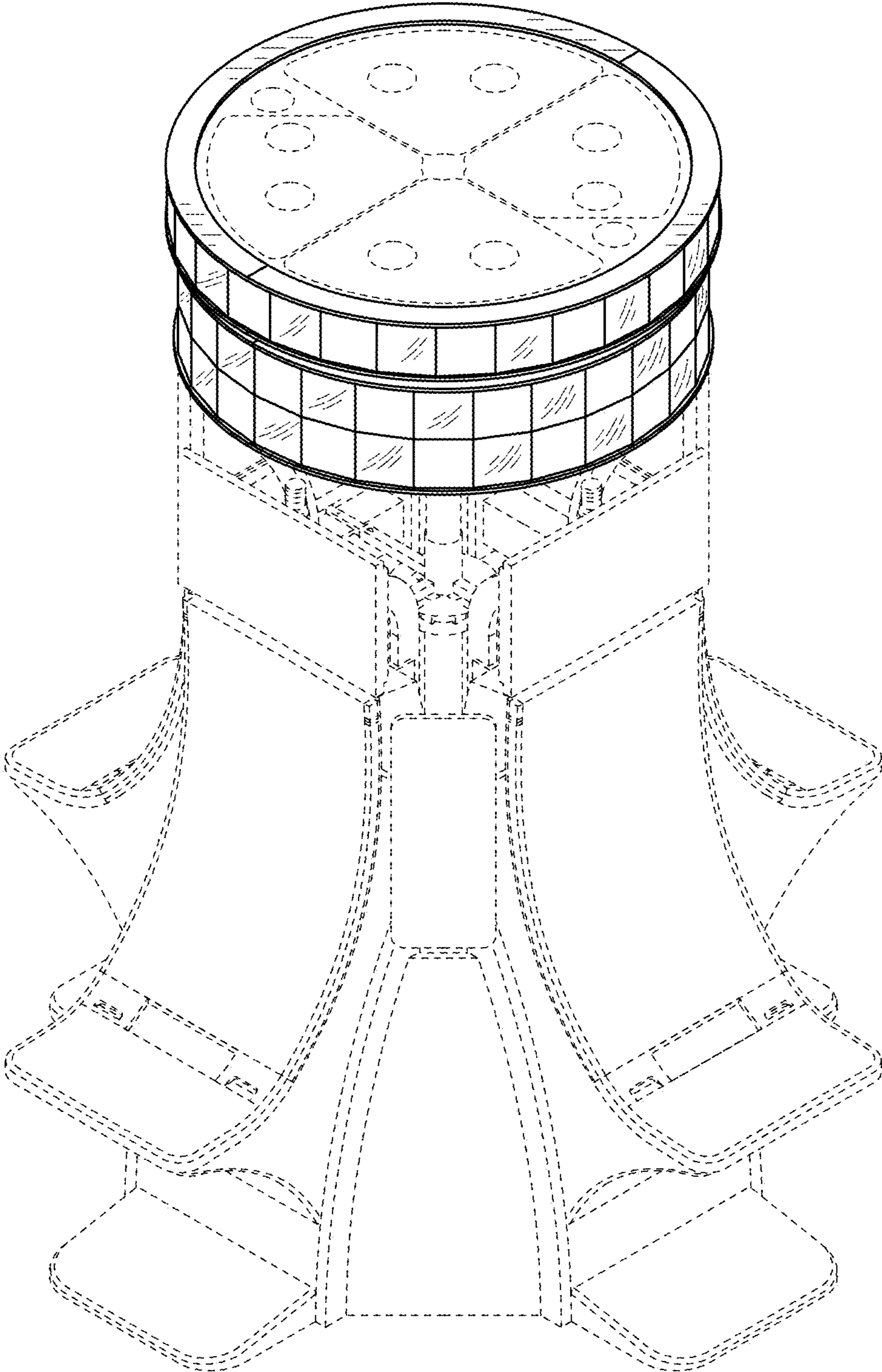


FIG. 1

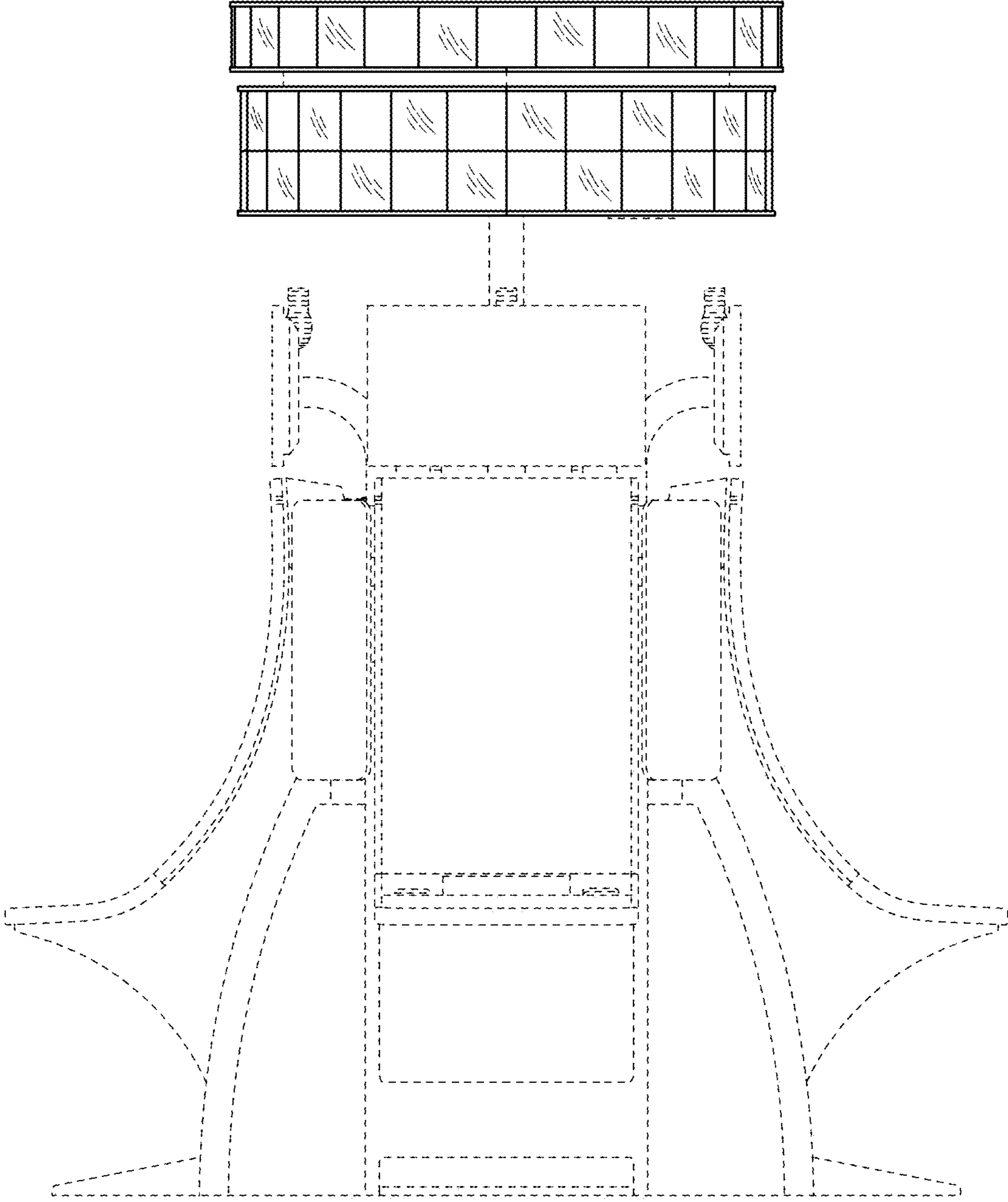


FIG. 2

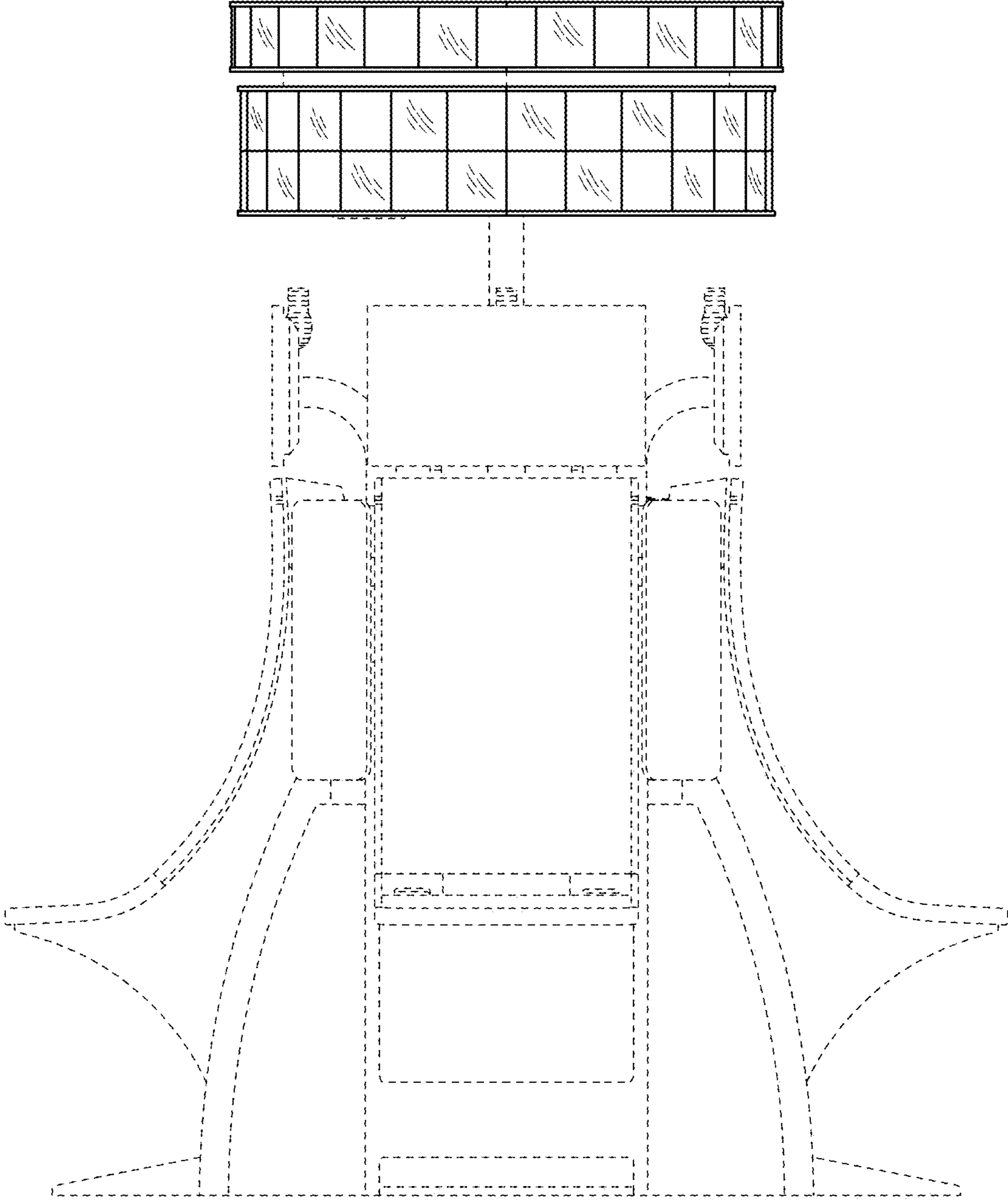


FIG. 3

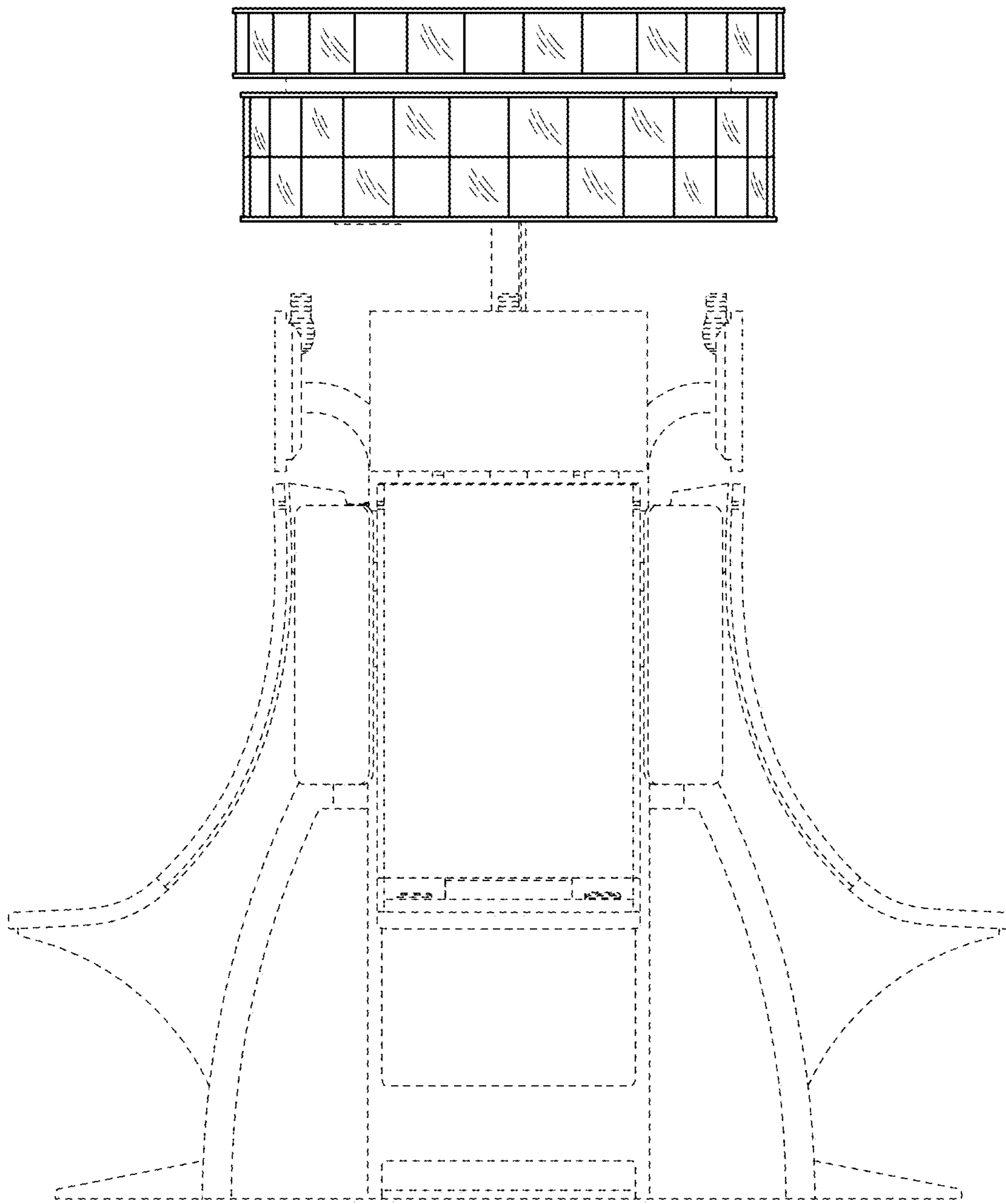


FIG. 4

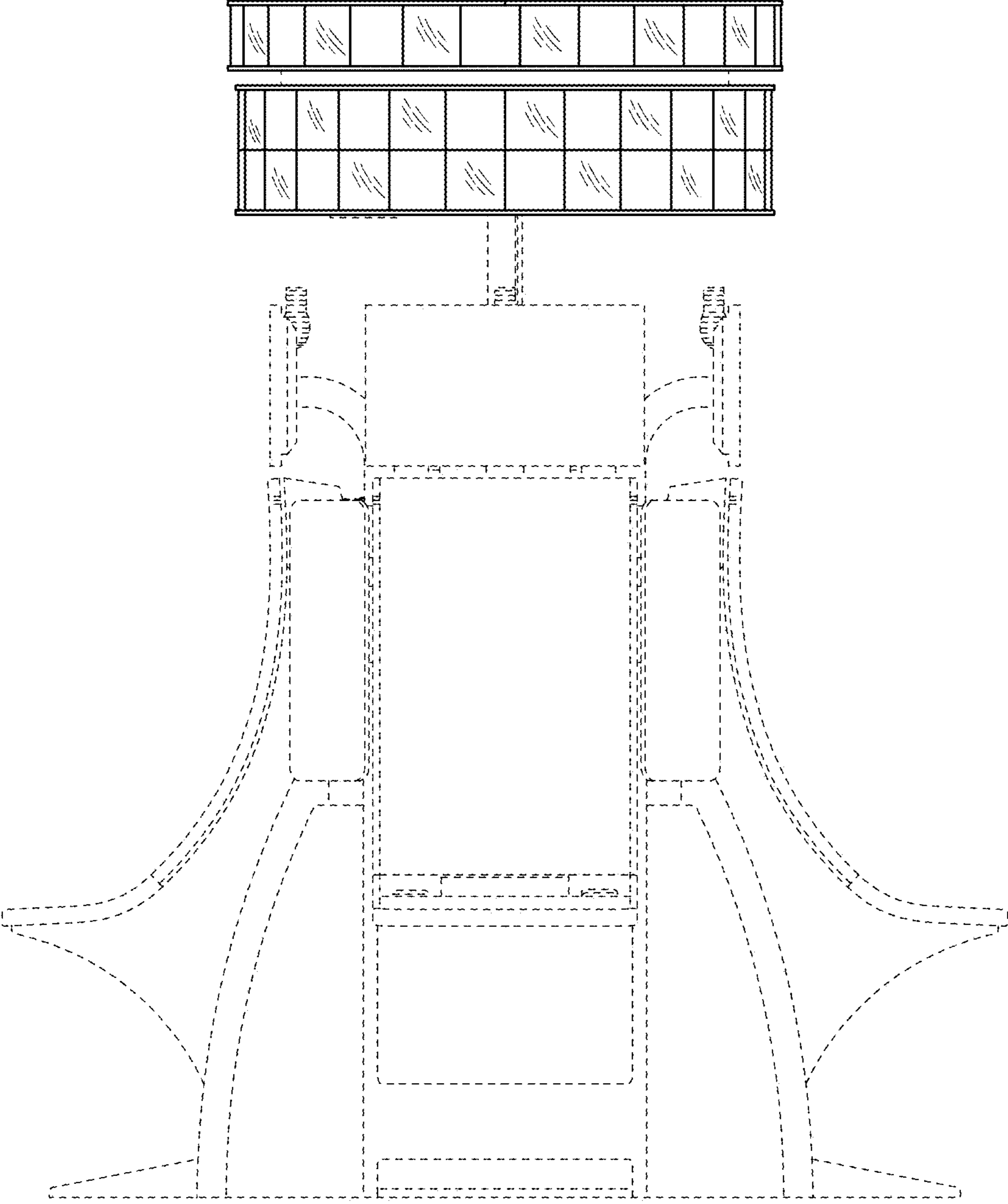


FIG. 5

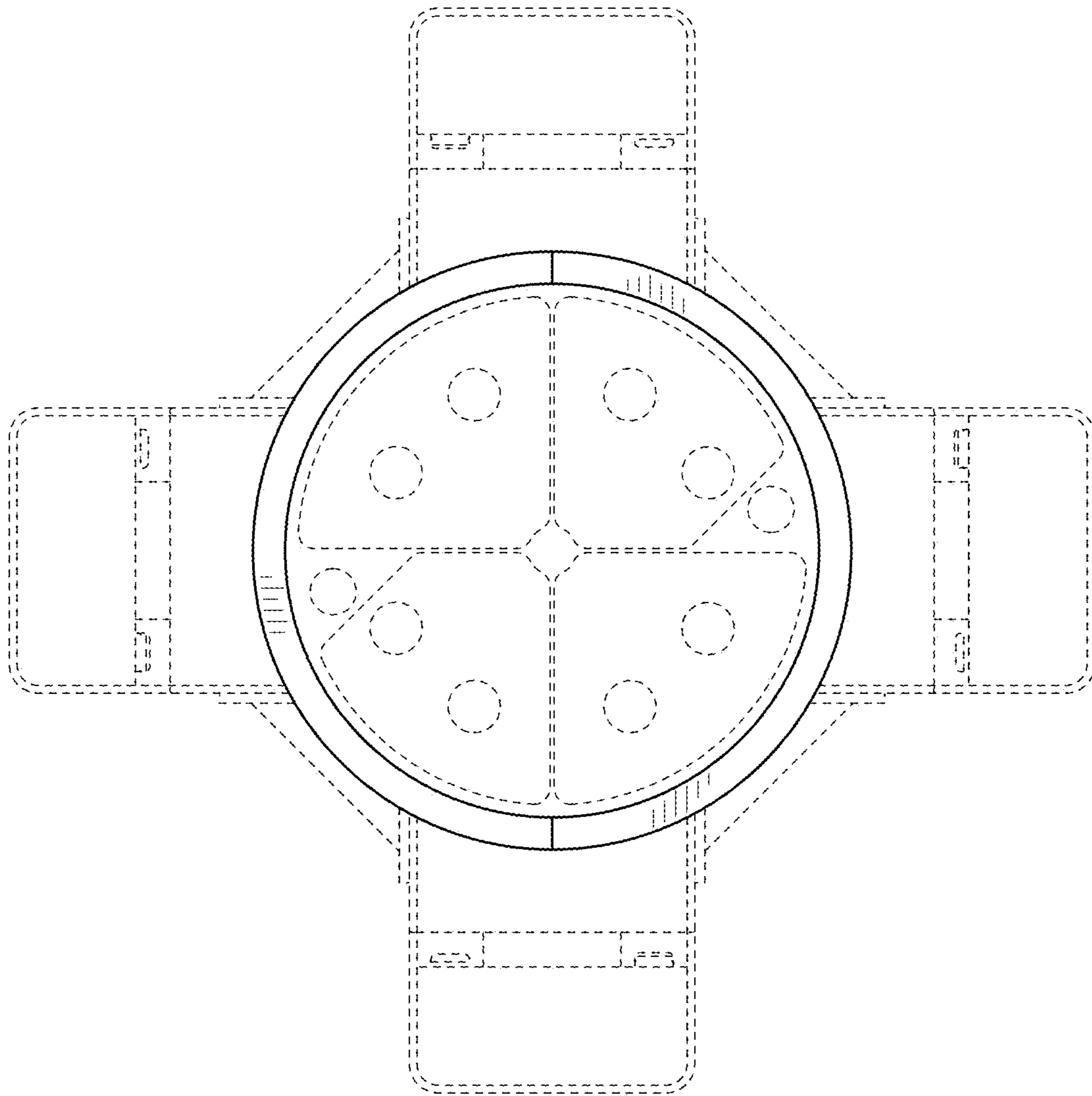


FIG. 6

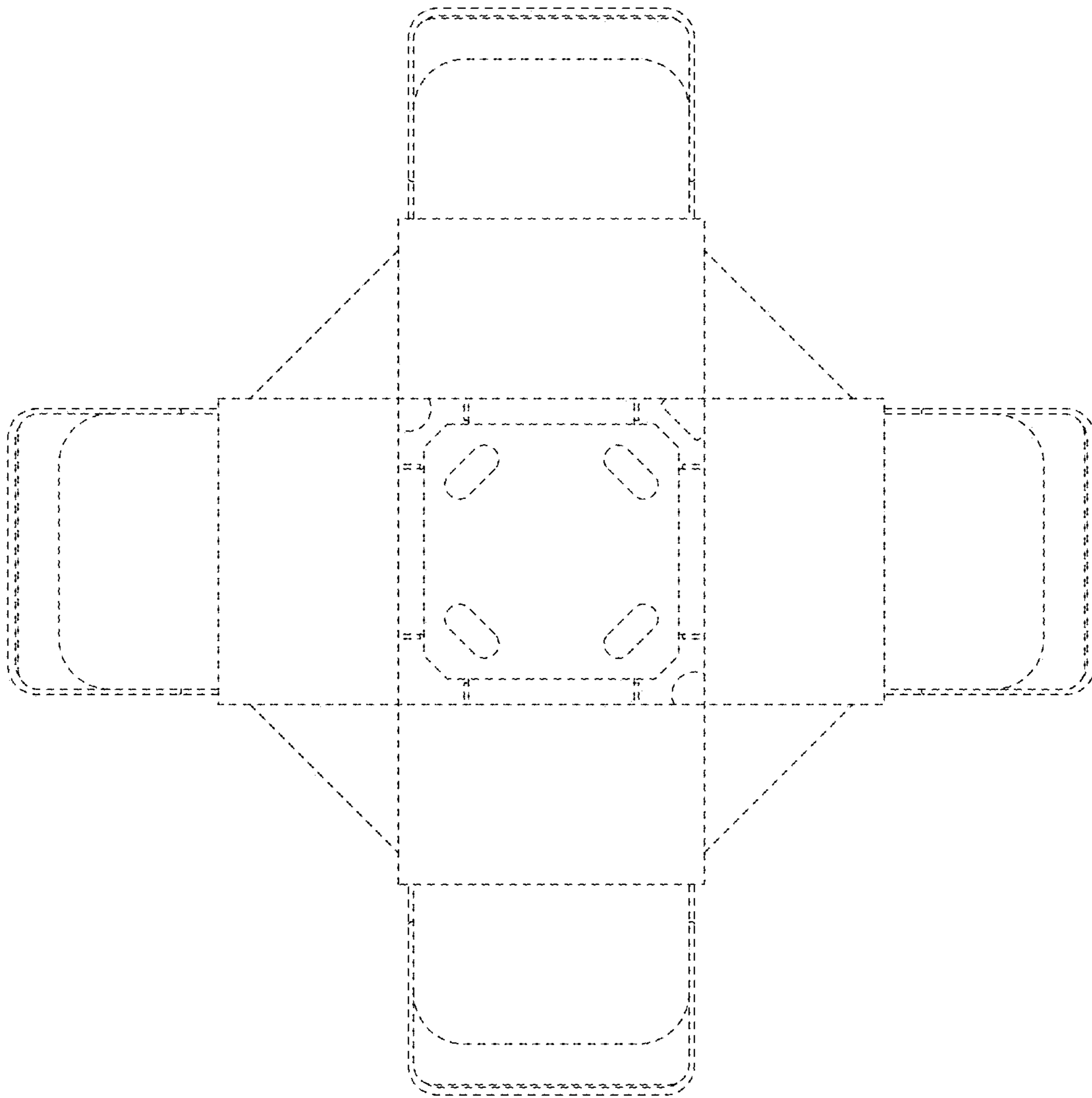


FIG. 7