



US00D934345S

(12) **United States Design Patent** (10) **Patent No.:** **US D934,345 S**
Morimoto et al. (45) **Date of Patent:** **** Oct. 26, 2021**

- (54) **CONTROLLER ADD-ON DEVICE**
- (71) Applicant: **Sony Interactive Entertainment Inc.**,
Tokyo (JP)
- (72) Inventors: **So Morimoto**, Saitama (JP); **Arthur Kwun**, Newark, CA (US)
- (73) Assignee: **Sony Interactive Entertainment Inc.**,
Tokyo (JP)
- (**) Term: **15 Years**
- (21) Appl. No.: **29/699,929**
- (22) Filed: **Jul. 30, 2019**
- (51) **LOC (13) Cl.** **21-01**
- (52) **U.S. Cl.**
USPC **D21/333; D14/401; D14/454**
- (58) **Field of Classification Search**
USPC D14/400, 401, 412, 356, 358, 383, 388,
D14/454, 203.3, 218, 426–431, 433, 434,
D14/435, 435.1; D21/333, 324, 328;
D13/162, 162.1, 163, 168–172; D10/78,
D10/103
CPC A63F 13/00; A63F 13/02; A63F 13/20;
A63F 13/24; A63F 13/25; A63F 13/90;
A63F 13/98; G06F 3/014; G06F 3/017;
G05G 9/047
See application file for complete search history.

(56) **References Cited**

U.S. PATENT DOCUMENTS

D441,404 S *	5/2001	Okimoto	D21/333
D441,405 S *	5/2001	Okimoto	D21/333
D635,615 S *	4/2011	Foster	D21/333
D645,910 S *	9/2011	Foster	D21/333
D702,194 S *	4/2014	Cho	D13/162
D705,741 S *	5/2014	Porter	D13/162
D725,610 S *	3/2015	Dasbach	D13/168
D736,322 S *	8/2015	Navid	D21/333
D744,043 S *	11/2015	Burgess	D21/333

D744,044 S *	11/2015	Yoon	D21/333
D766,375 S *	9/2016	Kujawski	D21/333
D784,335 S *	4/2017	Kujawski	D14/401
D794,026 S *	8/2017	Kujawski	D14/401
9,804,864 B1	10/2017	Sharma et al.	

(Continued)

OTHER PUBLICATIONS

“Gamers are paying \$150 or more for customizable controllers, but Sony’s new \$30 add-on will give your PlayStation 4 controller . . . ,” online, post date Dec. 18, 2019, URL: <https://www.businessinsider.com/sony-back-button-attachment-for-ps4-controller-allows-customization-2019-12>, retrieved Aug. 14, 2020.*

(Continued)

Primary Examiner — Rebekah A Caruso

(74) *Attorney, Agent, or Firm* — JDI Patent; Joshua D. Isenberg; Robert Pullman

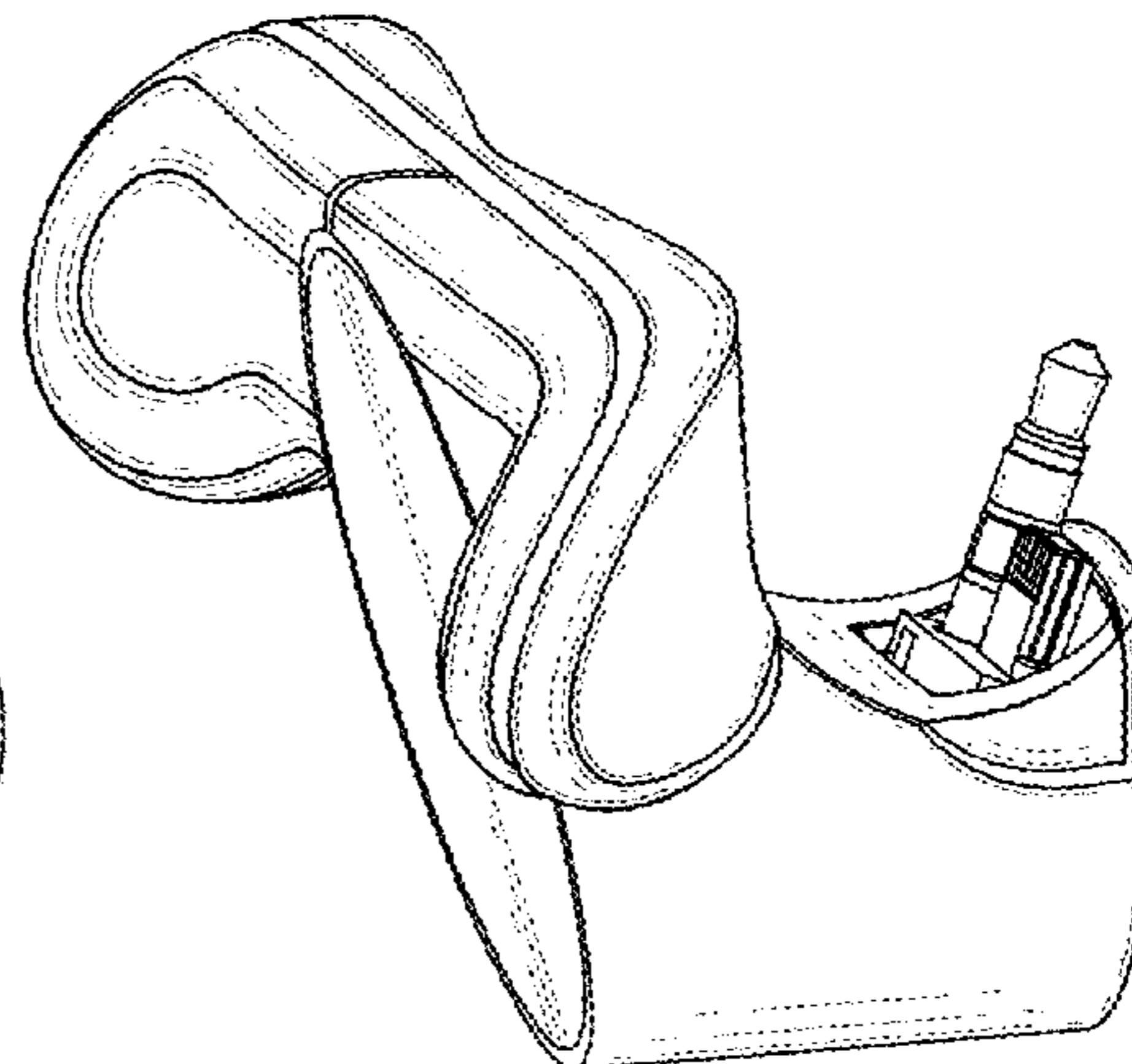
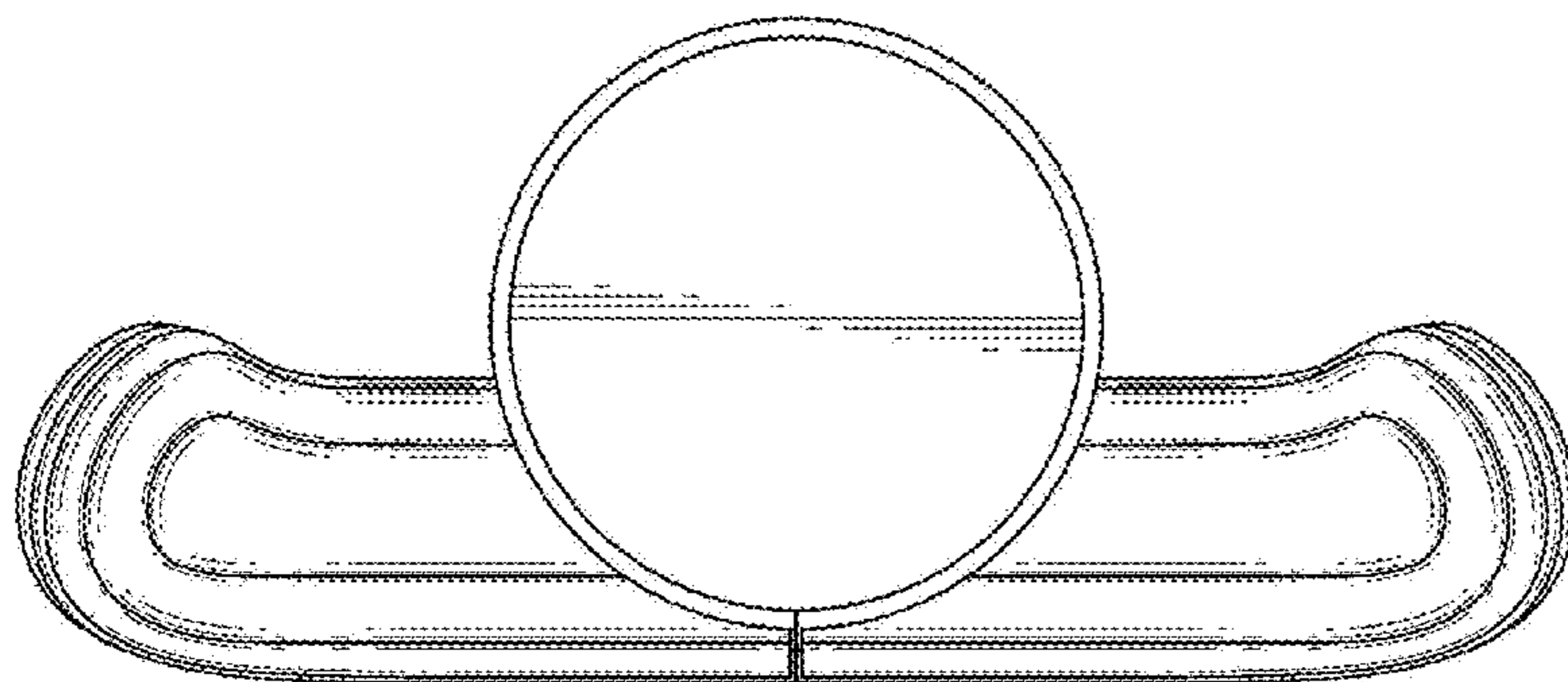
(57) **CLAIM**

The ornamental design for a controller add-on device, as shown and described.

DESCRIPTION

FIG. 1 is a bottom view of a controller add-on device showing our new design.
 FIG. 2 is a front view thereof.
 FIG. 3 is a right side view thereof.
 FIG. 4 is a rear view thereof.
 FIG. 5 is a top view thereof.
 FIG. 6 is a left side view of a controller add-on device mounted to a controller showing our new design.
 FIG. 7 is a perspective view of a controller add-on device showing our new design with the connectors shown in different positions; and,
 FIG. 8 is a bottom view of a controller add-on device mounted to a controller showing our new design.
 Portions of the drawings shown in broken lines are environmental structure that is not part of the design.

1 Claim, 5 Drawing Sheets



(56)

References Cited

U.S. PATENT DOCUMENTS

D839,919	S	*	2/2019	Valluripalli	D14/496
D886,101	S	*	6/2020	Pai	D14/357
2004/0023719	A1		2/2004	Hussaini et al.		
2004/0033835	A1		2/2004	Chao		
2011/0105231	A1		5/2011	Ambinder et al.		
2014/0139455	A1		5/2014	Argiro		
2014/0357372	A1		12/2014	Garcia et al.		
2015/0105152	A1		4/2015	Bellinghausen et al.		
2016/0228765	A1		8/2016	Rubio		
2017/0354895	A1*		12/2017	Dornbusch	A63F 13/23
2018/0104574	A1		4/2018	Tager		
2019/0391719	A1		12/2019	Agrawal et al.		
2021/0031098	A1*		2/2021	Black	A63F 13/2145
2021/0031101	A1*		2/2021	Black	A63F 13/24

OTHER PUBLICATIONS

U.S. Appl. No. 16/526,238 to Glenn Black, Tomas Bruckbock, and Arthur Kwun entitled "Controller Add-On Device With Customizable Presets", filed Jul. 30, 2019.

U.S. Appl. No. 16/526,261 to Glenn Black, Tomas Bruckbock, and Jason Campbell entitled "Method for Providing Customized Button Mapping Presets", filed Jul. 30, 2019.

U.S. Appl. No. 16/526,293 to Glenn Black, Tomas Bruckbock, and Arthur Kwun entitled "Customizablecontroller Add-On System", filed Jul. 30, 2019.

Non-Final Office Action for U.S. Appl. No. 16/526,238, dated Jun. 18, 2020.

Non-Final Office Action for U.S. Appl. No. 16/526,261, dated Jun. 23, 2020.

Non-Final Office Action for U.S. Appl. No. 16/526,293, dated Jun. 29, 2020.

Design U.S. Appl. No. 29/699,929 to So Morimoto and Arthur Kwun entitled "Controller Add-On Device", filed Jul. 30, 2019.

Non-Final Office Action for U.S. Appl. No. 16/526,261, dated Dec. 28, 2021.

Notice of Allowance for U.S. Appl. No. 16/526,293, dated Dec. 2, 2020.

International Search Report & Written Opinion dated Aug. 31, 2020 for International Patent Application No. PCT/US2020/040181.

International Search Report and Written Opinion dated Sep. 8, 2020 for International Patent Application No. PCT/US2020/040183.

Notice of Allowance for U.S. Appl. No. 16/526,238, dated Nov. 3, 2020.

* cited by examiner

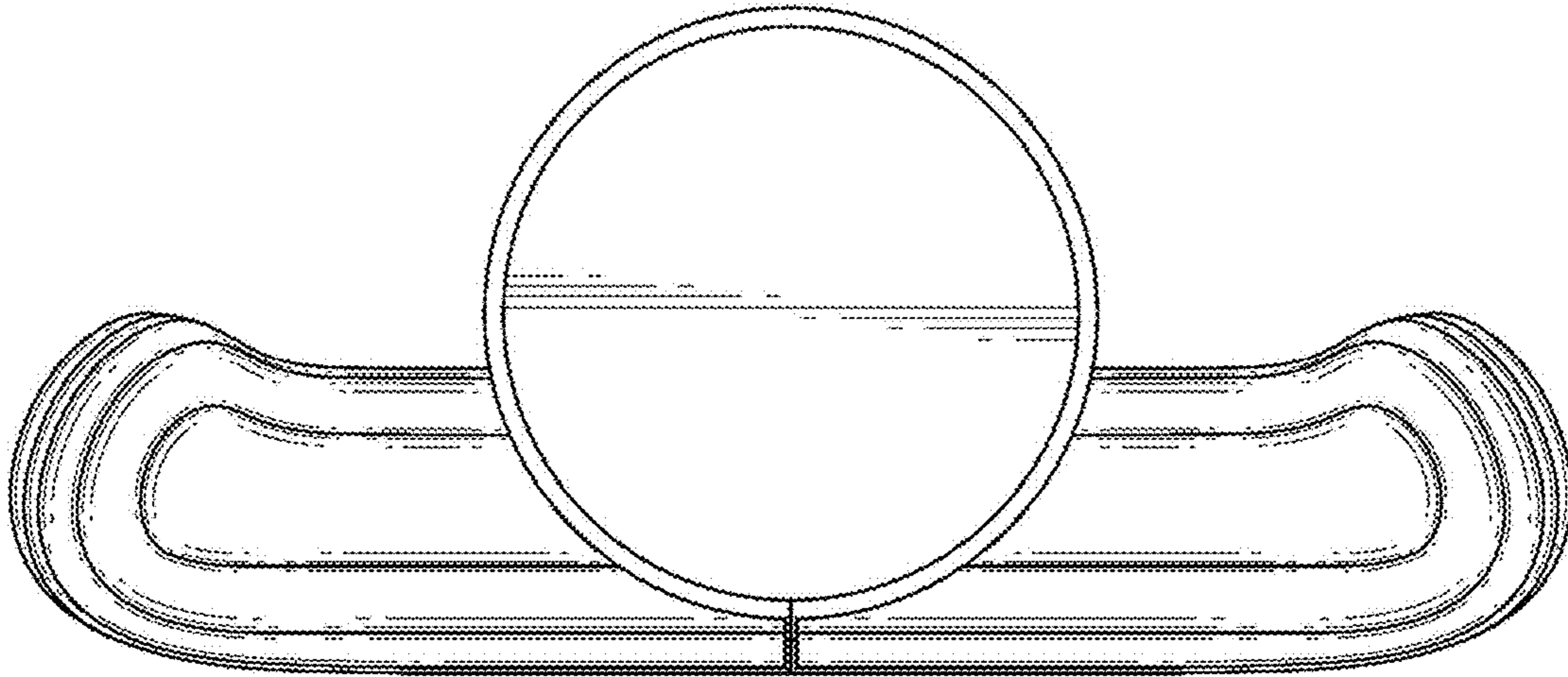


FIG. 1

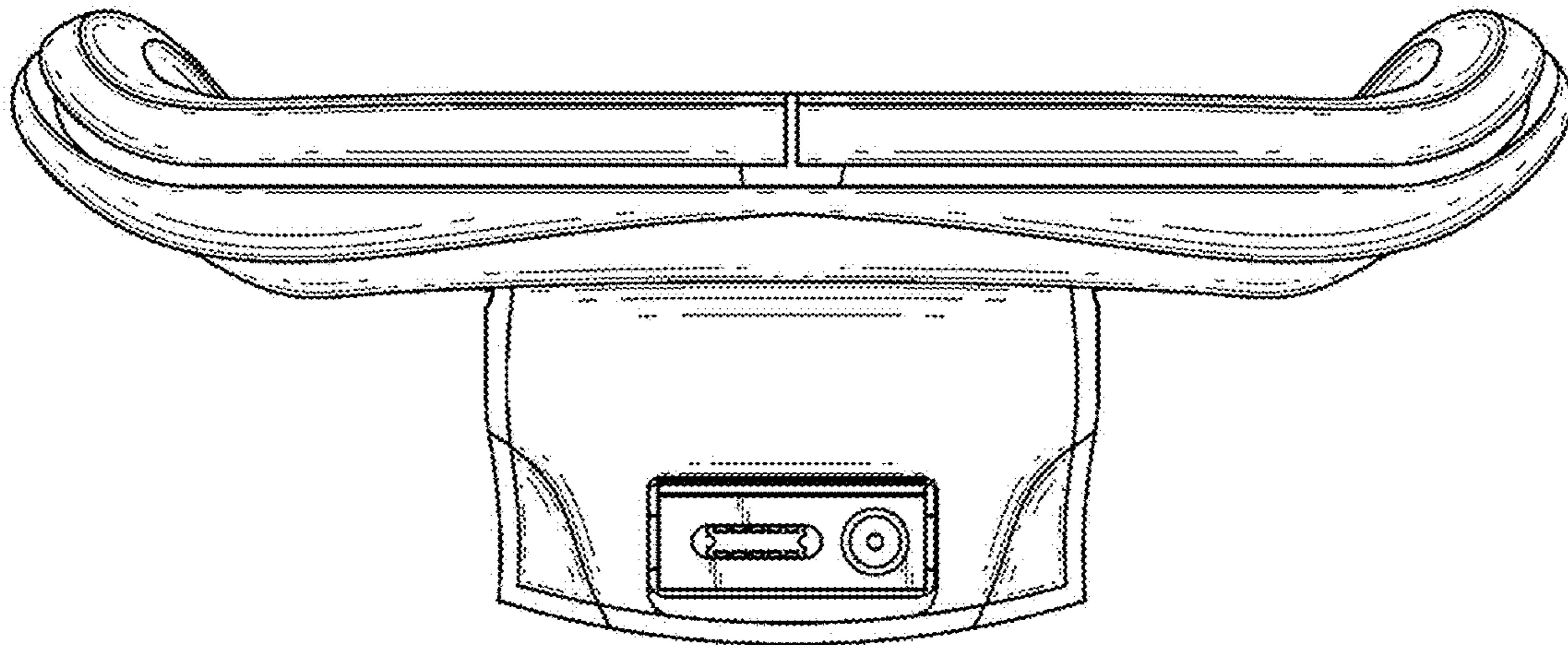


FIG. 2

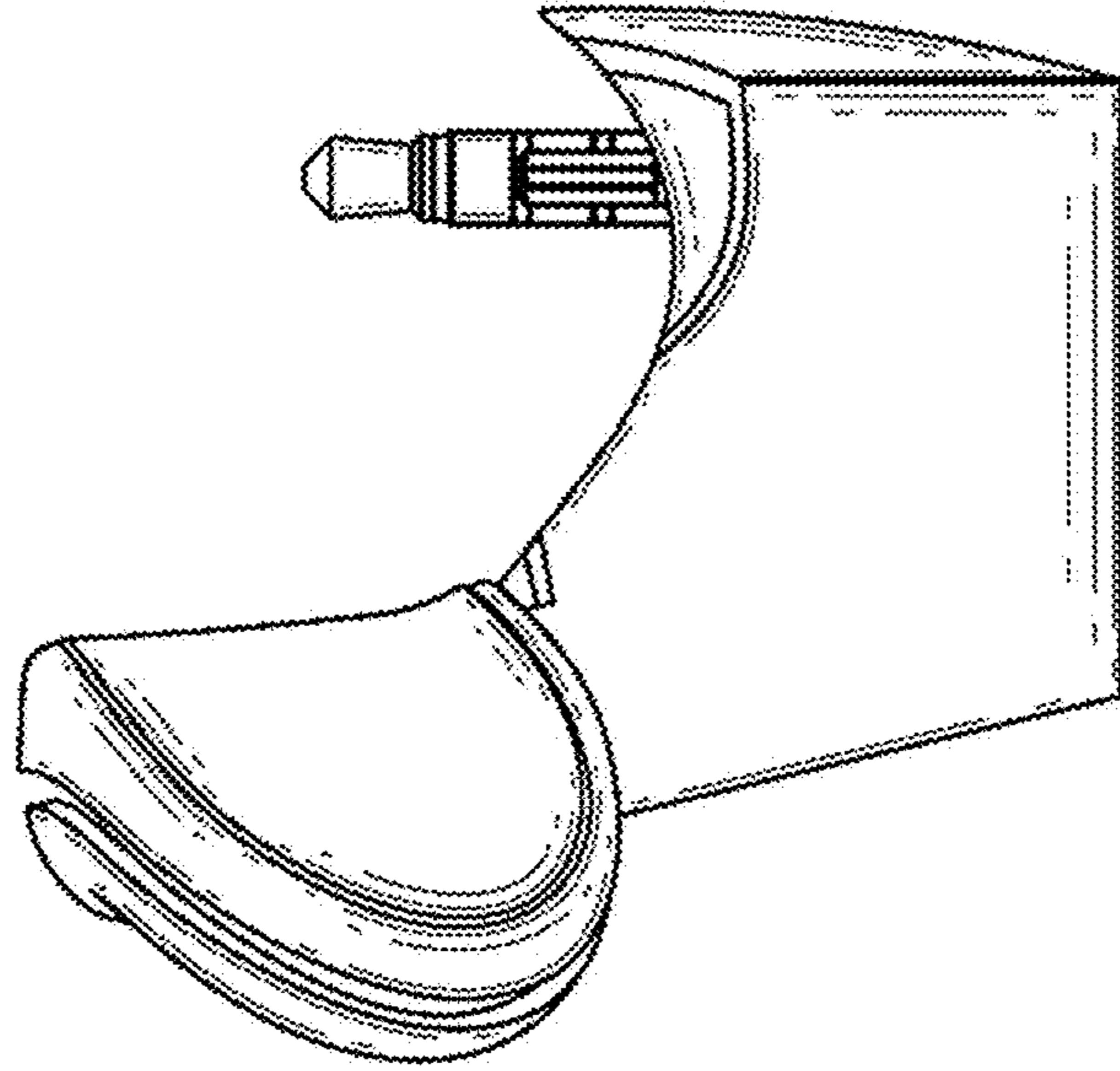


FIG. 3

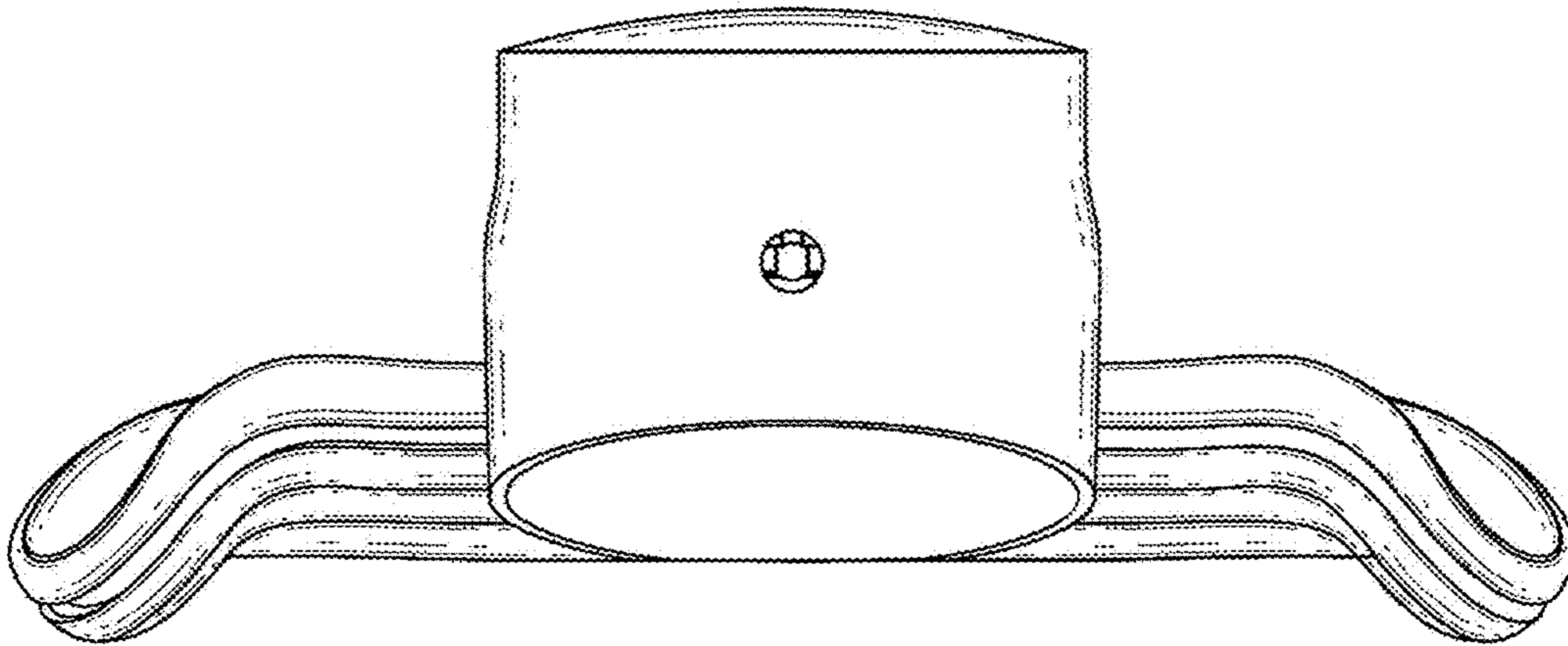


FIG. 4

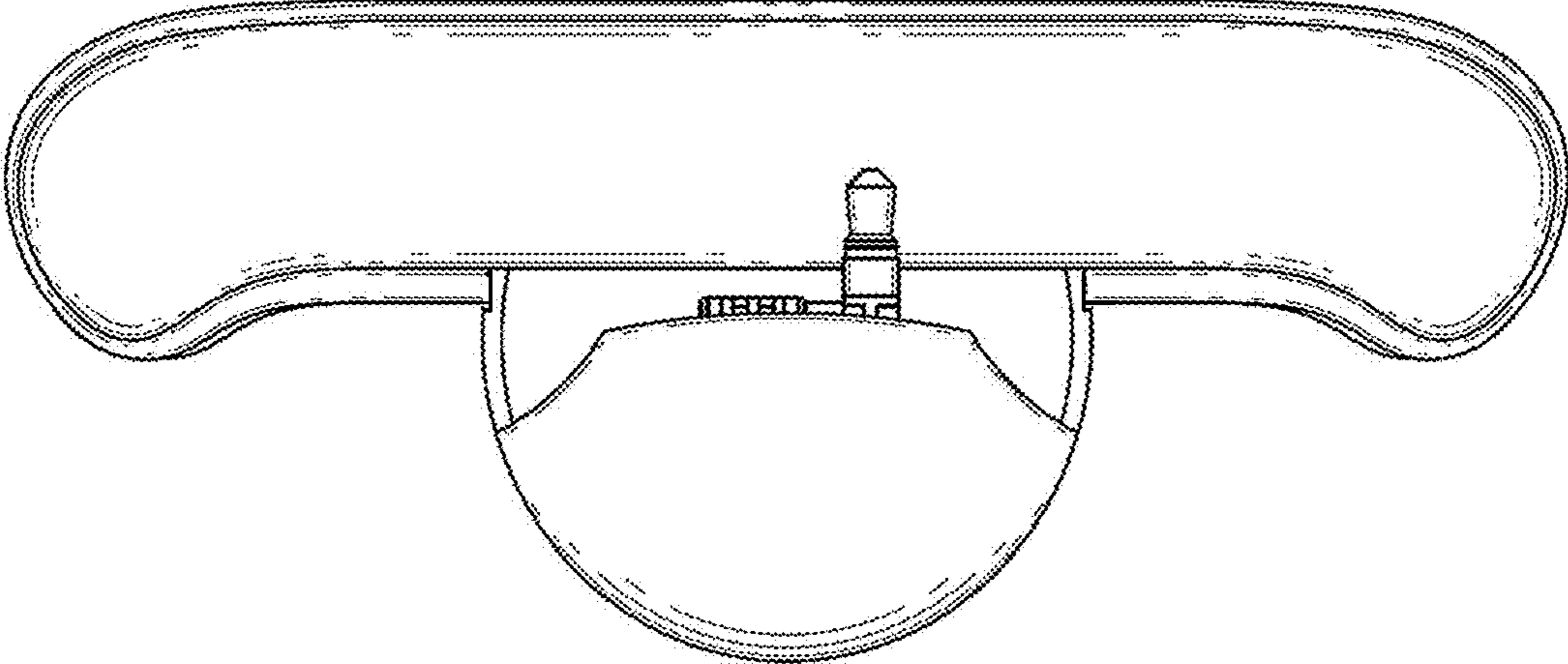


FIG. 5

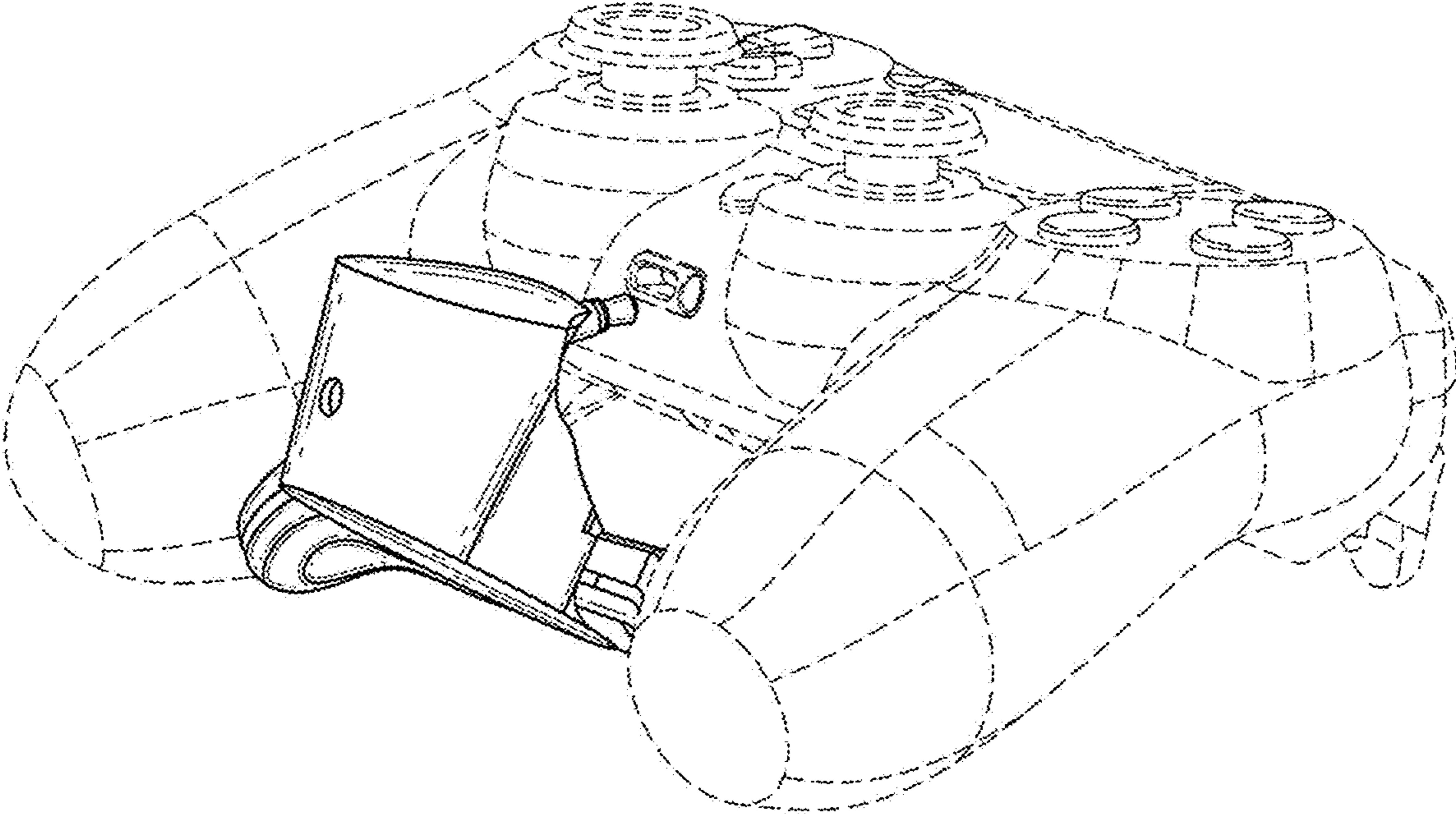


FIG. 6

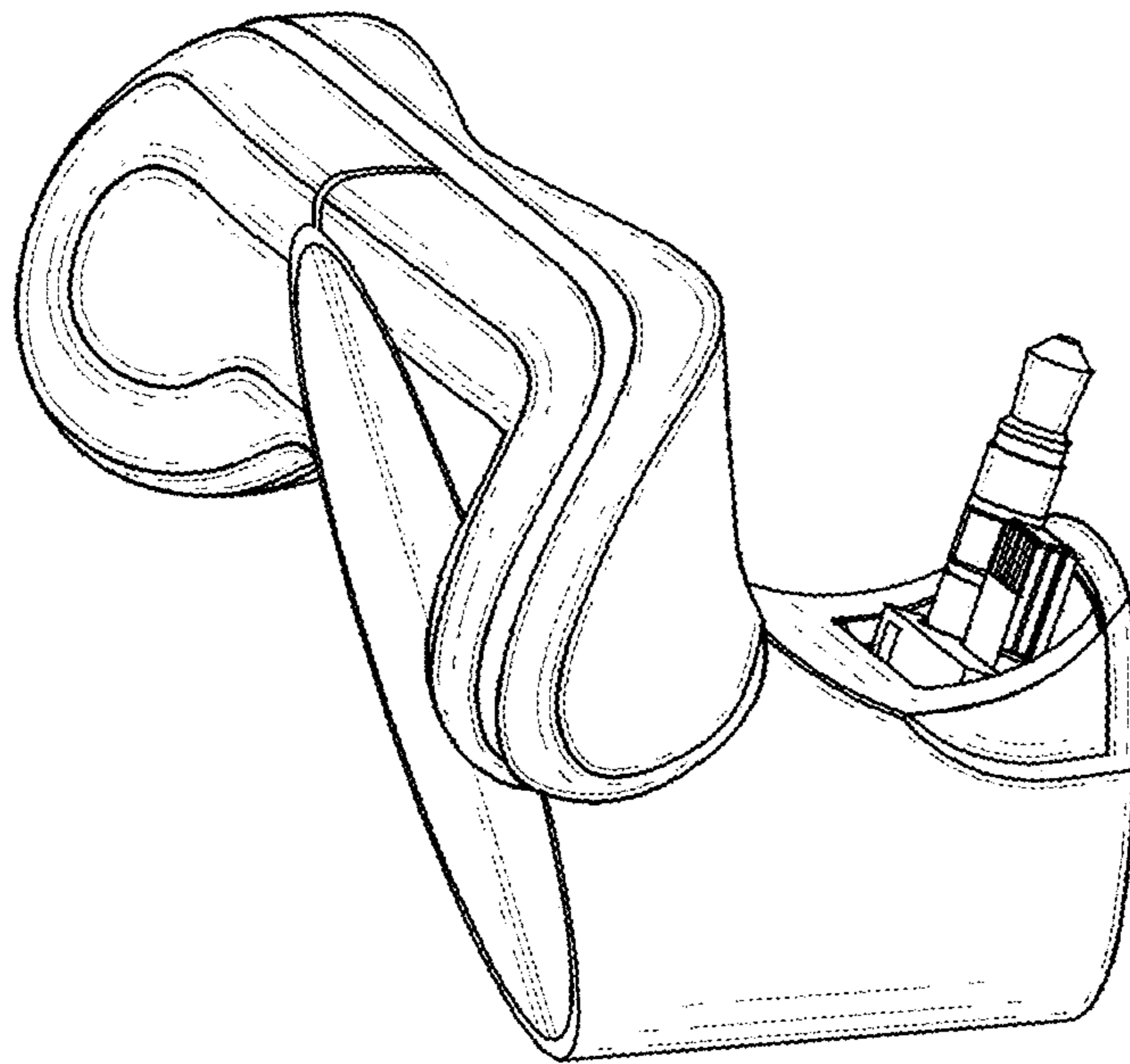


FIG. 7

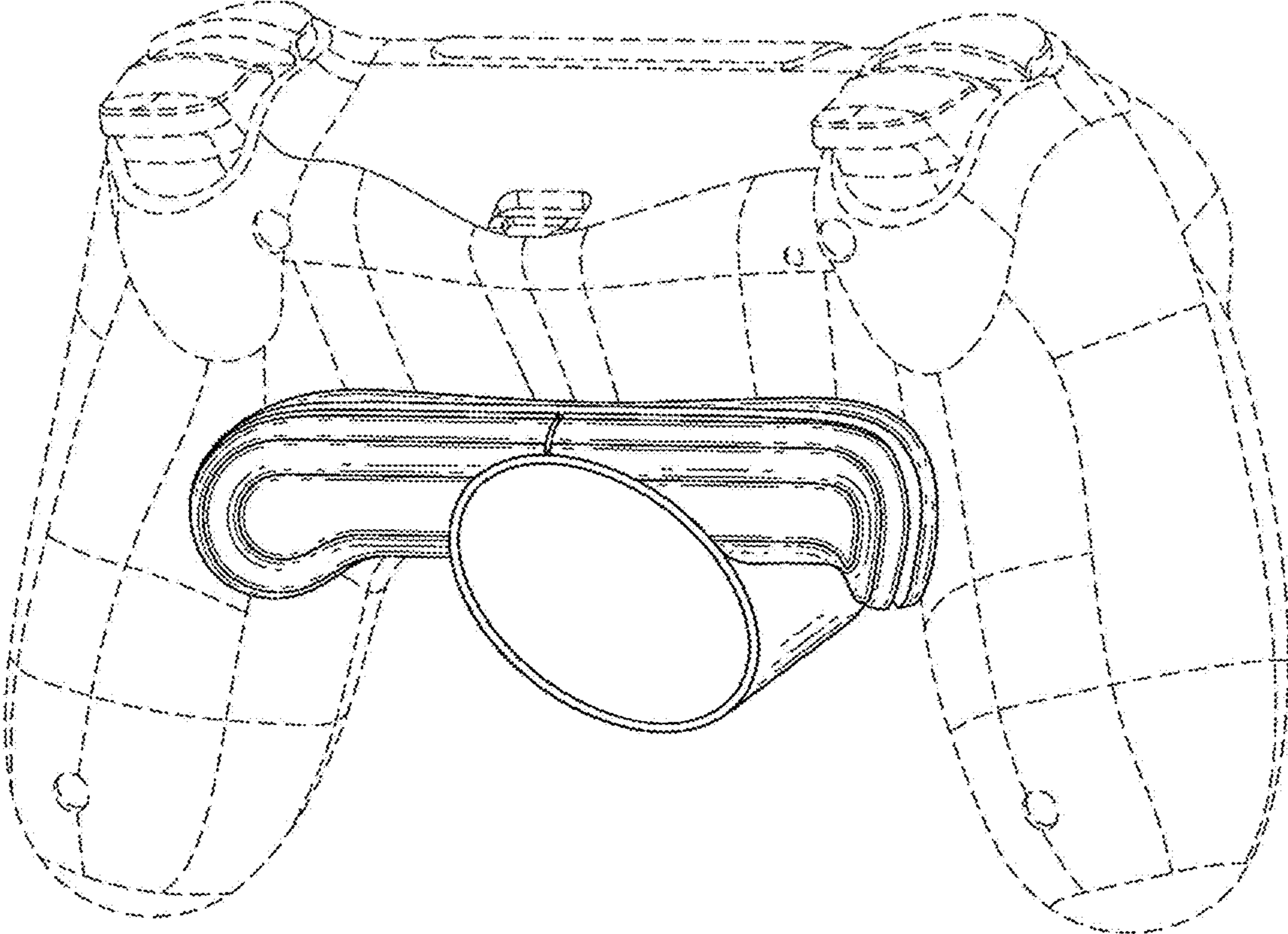


FIG. 8