



US00D934343S

(12) **United States Design Patent**
Ali et al.

(10) **Patent No.:** **US D934,343 S**
(45) **Date of Patent:** **** Oct. 26, 2021**

(54) **VIDEO GAME CONTROLLER ACCESSORY**

FOREIGN PATENT DOCUMENTS

(71) Applicant: **Collective Minds Gaming Co. Ltd.**,
Maple Ridge (CA)

CA 142555 4/2013
CA 2747151 11/2015

(Continued)

(72) Inventors: **Darren Ali**, Maple Ridge (CA); **Ken Dornbusch**, Maple Ridge (CA)

OTHER PUBLICATIONS

(73) Assignee: **COLLECTIVE MINDS GAMING CO. LTD.**, Maple Ridge (CA)

Collective Minds Strike Pack Eliminator Adapter for Xbox One, online, no post date, URL: <https://www.strikepackeliminator.com/>, retrieved Apr. 13, 2020.*

(**) Term: **15 Years**

(Continued)

(21) Appl. No.: **29/676,878**

Primary Examiner — Rebekah A Caruso

(22) Filed: **Jan. 15, 2019**

(74) *Attorney, Agent, or Firm* — Bennett Jones LLP

(51) **LOC (13) Cl.** **21-01**

(52) **U.S. Cl.**
USPC **D21/333; D14/401**

(57) **CLAIM**

(58) **Field of Classification Search**
USPC D14/400–418, 426–431, 454–455, 203.3,
D14/218, 300, 356, 358, 383, 388, 399,
D14/432; D21/324, 328, 331, 333, 566;
D13/162, 162.1, 168; D10/78, 103
CPC .. A63F 9/02; A63F 9/24; A63F 9/0291; A63F
9/0252; A63F 13/00; A63F 13/23; A63F
13/24; A63F 13/26; A63F 13/98; A63F
13/02; A63F 13/12

The ornamental design for a video game controller accessory, as shown and described.

See application file for complete search history.

DESCRIPTION

(56) **References Cited**

U.S. PATENT DOCUMENTS

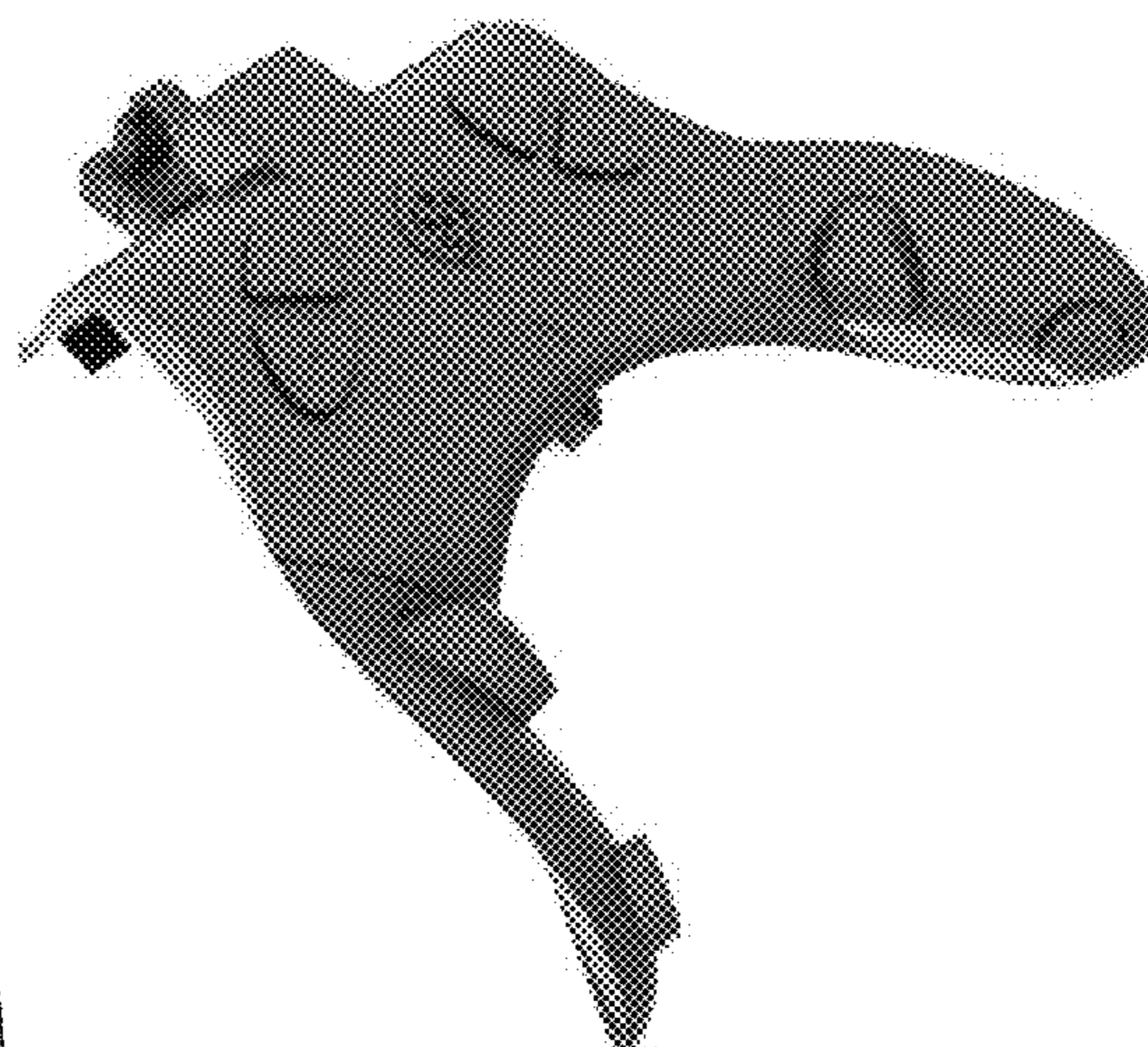
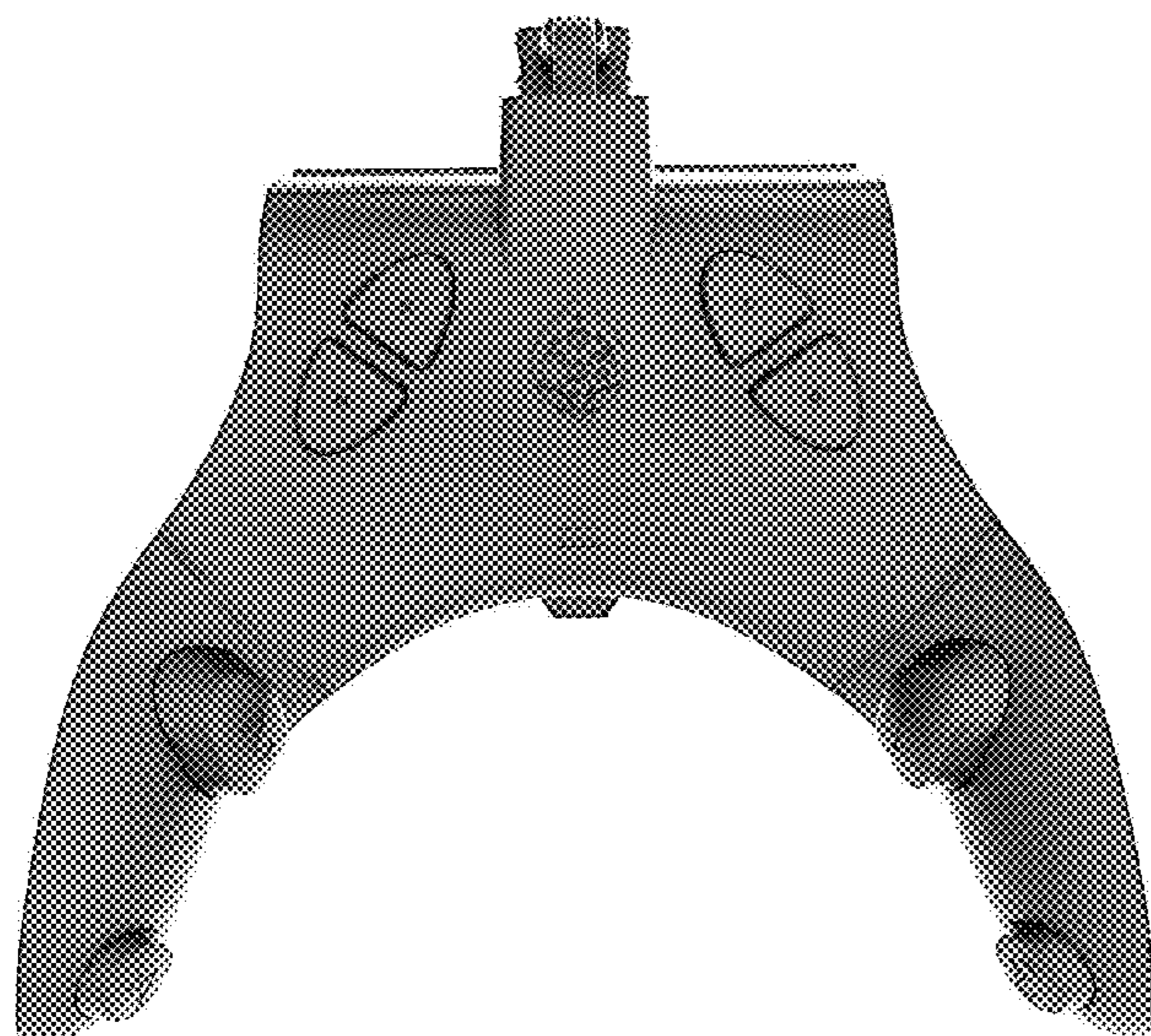
4,552,360	A	11/1985	Bromley et al.	
5,531,443	A	7/1996	Cruz	
5,551,693	A	9/1996	Goto et al.	
D376,826	S	12/1996	Ashida	
D377,198	S	1/1997	Oikawa et al.	
D384,112	S	9/1997	Riley et al.	
5,670,988	A	9/1997	Tickle	
D386,544	S	* 11/1997	Kajikawa	D14/401
5,716,274	A	2/1998	Goto et al.	
D393,291	S	4/1998	Kung	

(Continued)

FIG. 1 is a bottom view of a video game controller accessory, showing the new design;
FIG. 2 is a front-bottom perspective view thereof;
FIG. 3 is a rear-top perspective view thereof;
FIG. 4 is a left side perspective view thereof;
FIG. 5 is a front view thereof;
FIG. 6 is a rear view thereof;
FIG. 7 is a top view thereof;
FIG. 8 is a left-top perspective view thereof;
FIG. 9 is an angled perspective view thereof; and,
FIG. 10 is another angled perspective view thereof.

The right side perspective view of the video game controller accessory of FIG. 1 (not shown) is a mirror image of the left side perspective view shown in FIG. 4.
In FIG. 2 and FIG. 5, the eight square-shaped elements and the two stadium-shaped elements are lenses for light emitters.

1 Claim, 10 Drawing Sheets



(56)

References Cited

U.S. PATENT DOCUMENTS

5,759,100 A 6/1998 Nakanishi
 5,853,326 A 12/1998 Goto et al.
 5,874,906 A 2/1999 Willner et al.
 5,883,690 A 3/1999 Meyers et al.
 D409,183 S 5/1999 Chen
 D410,643 S * 6/1999 Tonino D14/401
 5,923,317 A 7/1999 Sayler et al.
 D414,484 S * 9/1999 Oikawa D14/400
 D415,145 S * 10/1999 Oikawa D14/400
 D416,247 S 11/1999 Flender et al.
 5,984,548 A 11/1999 Willner et al.
 5,984,785 A 11/1999 Takeda et al.
 6,001,014 A 12/1999 Ogata et al.
 6,019,680 A 2/2000 Cheng
 6,102,803 A 8/2000 Takeda et al.
 D431,604 S 10/2000 Chan
 6,135,886 A 10/2000 Armstrong
 6,171,191 B1 1/2001 Ogata et al.
 D438,178 S * 2/2001 Hames D14/401
 6,186,896 B1 2/2001 Takeda et al.
 6,210,278 B1 3/2001 Klitsner
 6,225,975 B1 5/2001 Furuki et al.
 6,231,444 B1 5/2001 Goto et al.
 6,241,611 B1 6/2001 Takeda et al.
 6,261,180 B1 7/2001 Lebensfeld et al.
 6,267,673 B1 7/2001 Miyamoto et al.
 6,279,906 B1 8/2001 Sanderson et al.
 6,280,327 B1 8/2001 Leifer et al.
 6,342,009 B1 1/2002 Soma
 D469,436 S 1/2003 Hussaini et al.
 D471,552 S 3/2003 Loughmane et al.
 6,572,108 B1 6/2003 Bristow
 6,743,100 B1 6/2004 Neiser
 6,811,491 B1 11/2004 Levenberg et al.
 D545,317 S 6/2007 Wang et al.
 D585,931 S 2/2009 Palmer
 D610,625 S 2/2010 Guinchard et al.
 D615,977 S * 5/2010 Sogabe D14/400
 7,762,553 B2 7/2010 Harris
 D620,939 S 8/2010 Suetake et al.
 D624,080 S 9/2010 Jennings et al.
 D631,476 S * 1/2011 Piedra D14/401
 D632,340 S 2/2011 Guinchard et al.
 D638,017 S 5/2011 Ortiz
 D665,026 S * 8/2012 VanBuren D14/388
 D667,892 S 9/2012 Burgess et al.
 D685,434 S 7/2013 Ali et al.
 8,576,199 B1 11/2013 Pryor
 8,641,525 B2 2/2014 Burgess et al.
 D706,874 S 6/2014 Ngoy et al.
 8,753,206 B2 6/2014 Ali et al.
 D708,675 S 7/2014 Delrue et al.
 D721,139 S 1/2015 Burgess et al.

D723,032 S * 2/2015 Schoenith D14/401
 D733,802 S 7/2015 Burgess et al.
 D736,322 S 8/2015 Navid
 D737,273 S * 8/2015 Schoenith D14/401
 D748,734 S 2/2016 Burgess et al.
 D752,150 S 3/2016 Young et al.
 D752,688 S 3/2016 Jensen
 D777,260 S 1/2017 Burgess et al.
 D778,989 S 2/2017 Ali et al.
 D787,606 S * 5/2017 Coe D21/333
 D810,831 S 2/2018 Ali et al.
 D819,140 S 5/2018 Ali et al.
 10,252,173 B2 4/2019 Dornbusch et al.
 D849,146 S * 5/2019 Kuoch D21/333
 D905,060 S * 12/2020 Tsuchida D14/401
 D909,488 S * 2/2021 Zheng D21/333
 2001/0012801 A1 8/2001 Komata
 2003/0003993 A1 1/2003 Leifer et al.
 2004/0023719 A1 2/2004 Hussaini et al.
 2004/0180720 A1 9/2004 Nashi et al.
 2004/0224768 A1 11/2004 Hussaini et al.
 2007/0072680 A1 3/2007 Ikeda
 2009/0088250 A1 4/2009 Carlson et al.
 2009/0233671 A1 9/2009 Tsukahara
 2010/0267454 A1 10/2010 Navid
 2012/0244944 A1 9/2012 Kotkin
 2012/0302348 A1 11/2012 Karacal et al.
 2013/0077675 A1 3/2013 Rosen et al.
 2014/0113723 A1 4/2014 Burgess et al.
 2015/0363007 A1 12/2015 Lysenko
 2016/0151706 A1 6/2016 Antonio
 2016/0317918 A1 11/2016 Gassoway et al.
 2016/0361639 A1 12/2016 Schmitz et al.
 2017/0001109 A1 1/2017 Dornbusch et al.
 2017/0354895 A1 12/2017 Dornbusch

FOREIGN PATENT DOCUMENTS

CA	162784	11/2016
CA	2932358	12/2016
CA	2969968	12/2017
CA	169939	11/2018
CA	2977382	12/2018
GB	2481633	8/2010

OTHER PUBLICATIONS

Xbox One (XB1) Collective Minds Strike Pack Setup, YouTube online, post date Dec. 14, 2018, URL: <https://www.youtube.com/watch?v=wuSH3-K4EJQ>, retrieved Apr. 13, 2020.*
 "Review: Scuf Xbox 360 Controller" by Dave Burns, published Oct. 20, 2010. Source <http://www.xboxer360.com/features/review-scuf-xbox-360-controller/> Accessed Oct. 22, 2010.

* cited by examiner



Fig. 1



Fig. 2

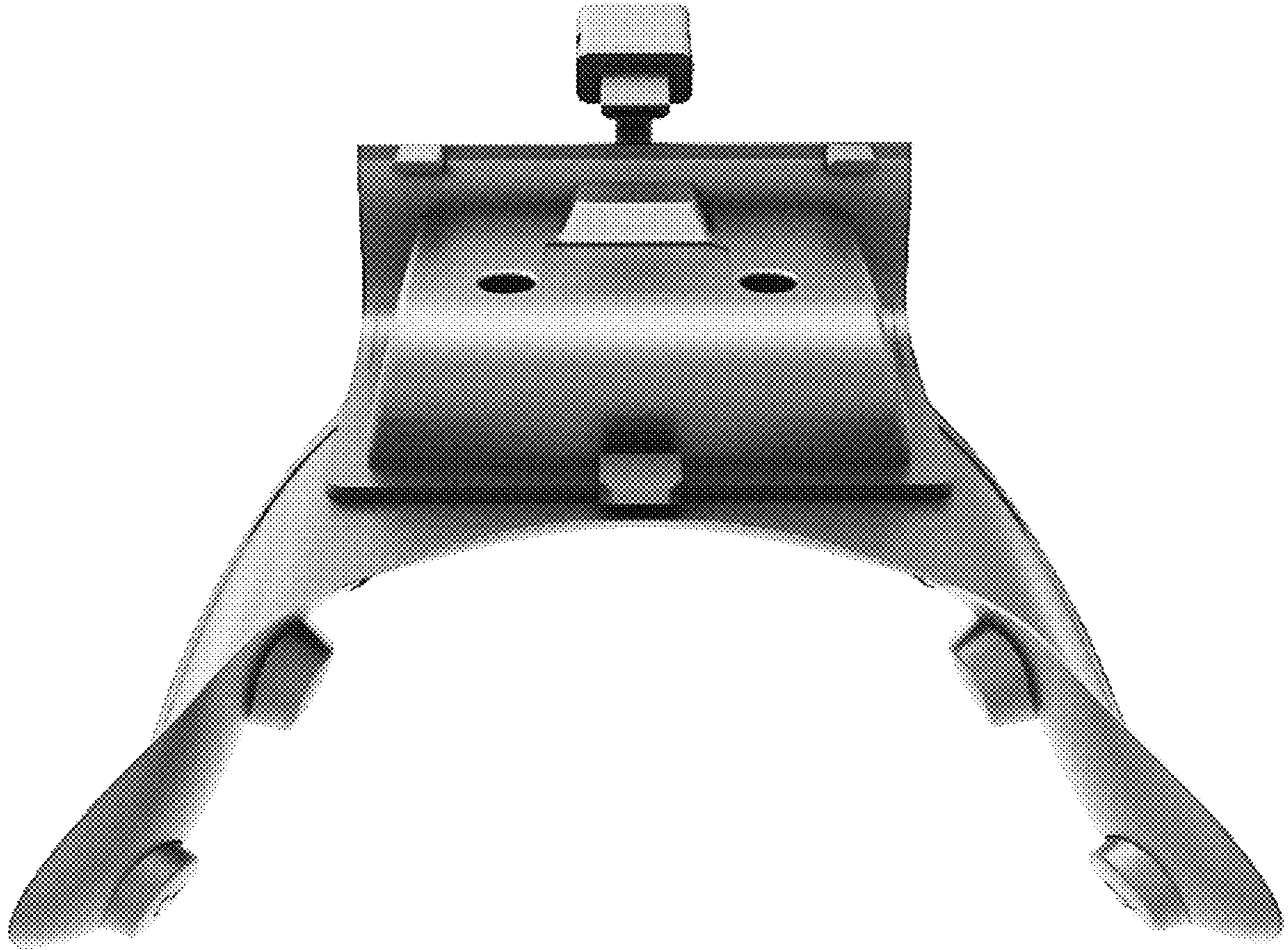


Fig. 3

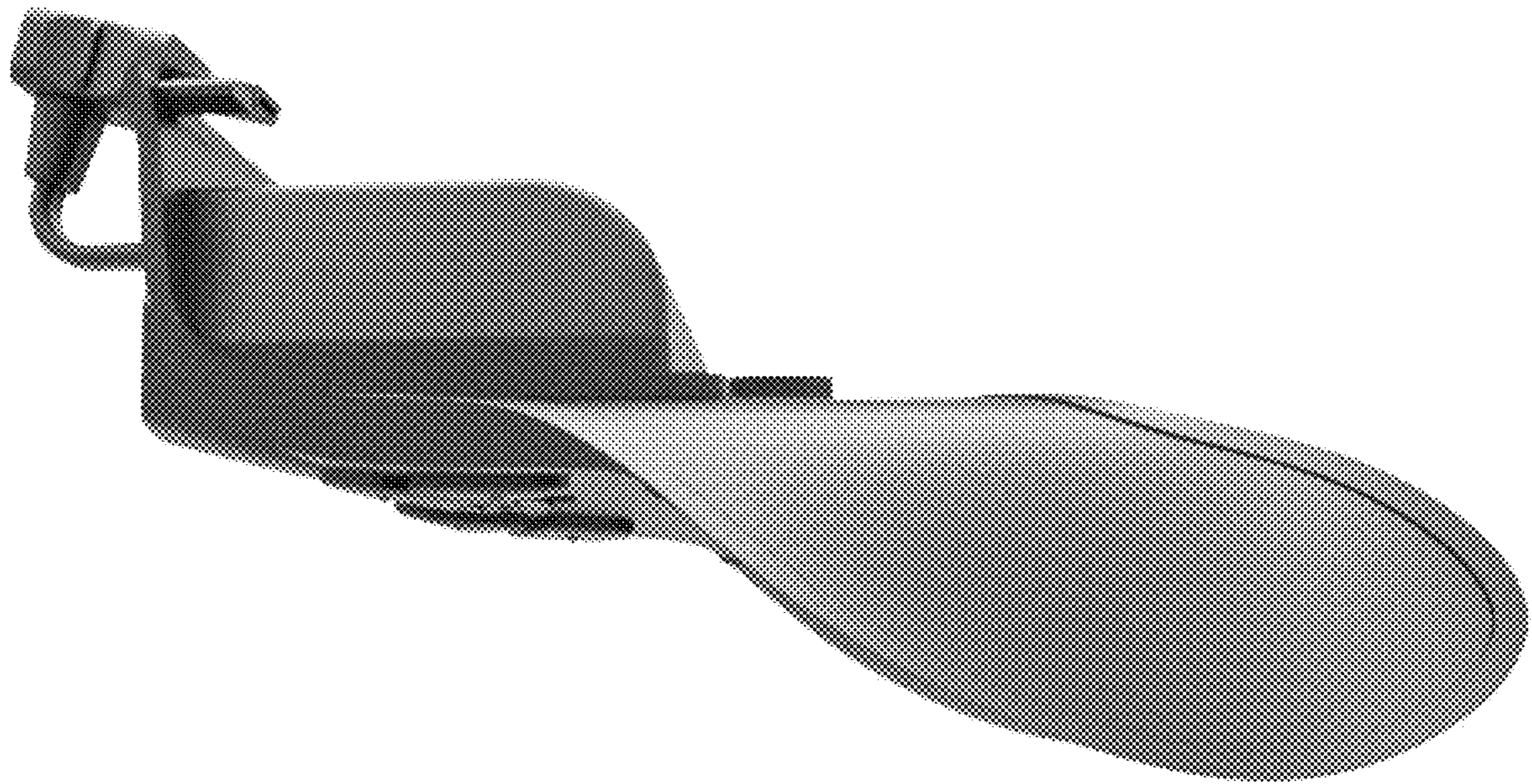


Fig. 4

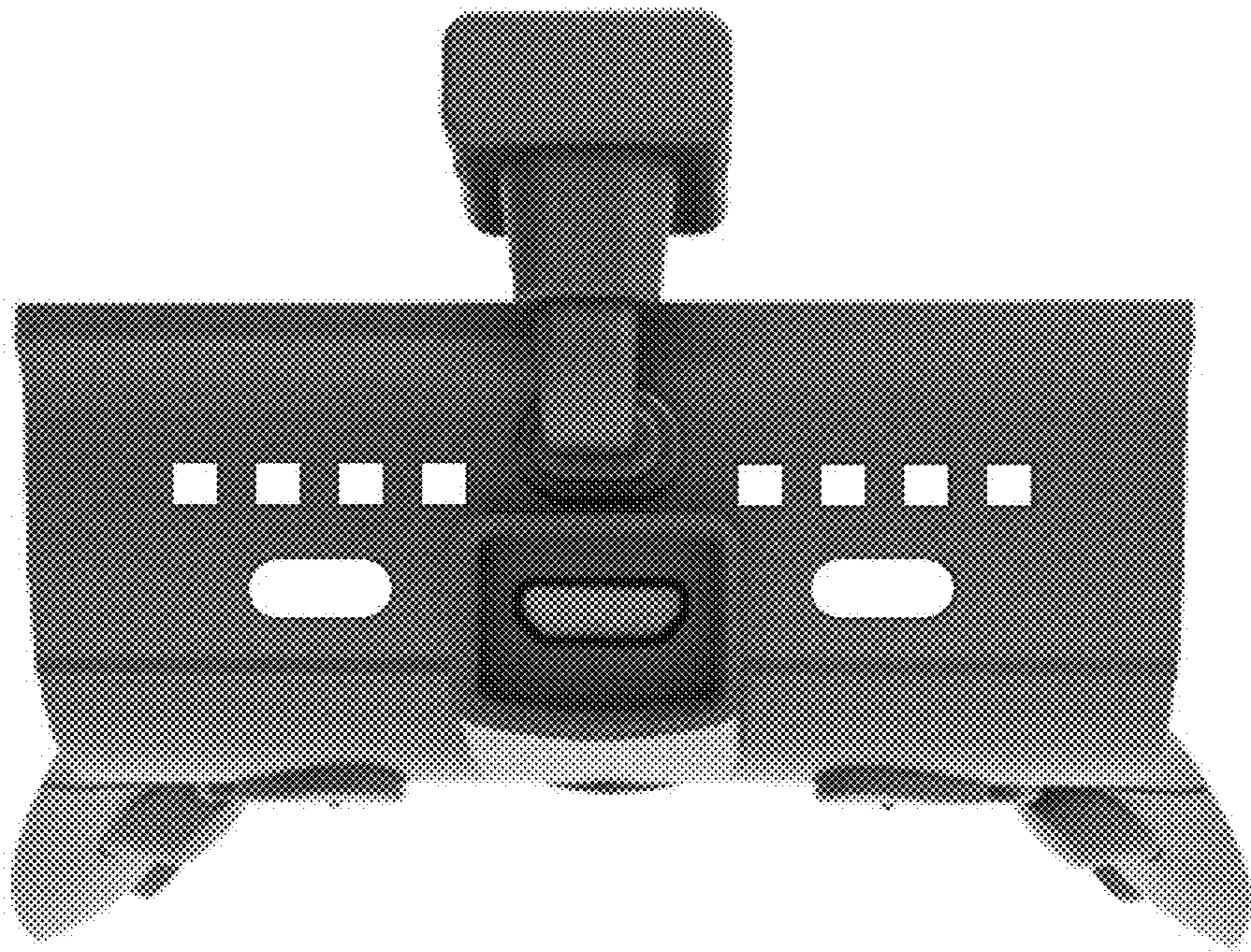


Fig. 5

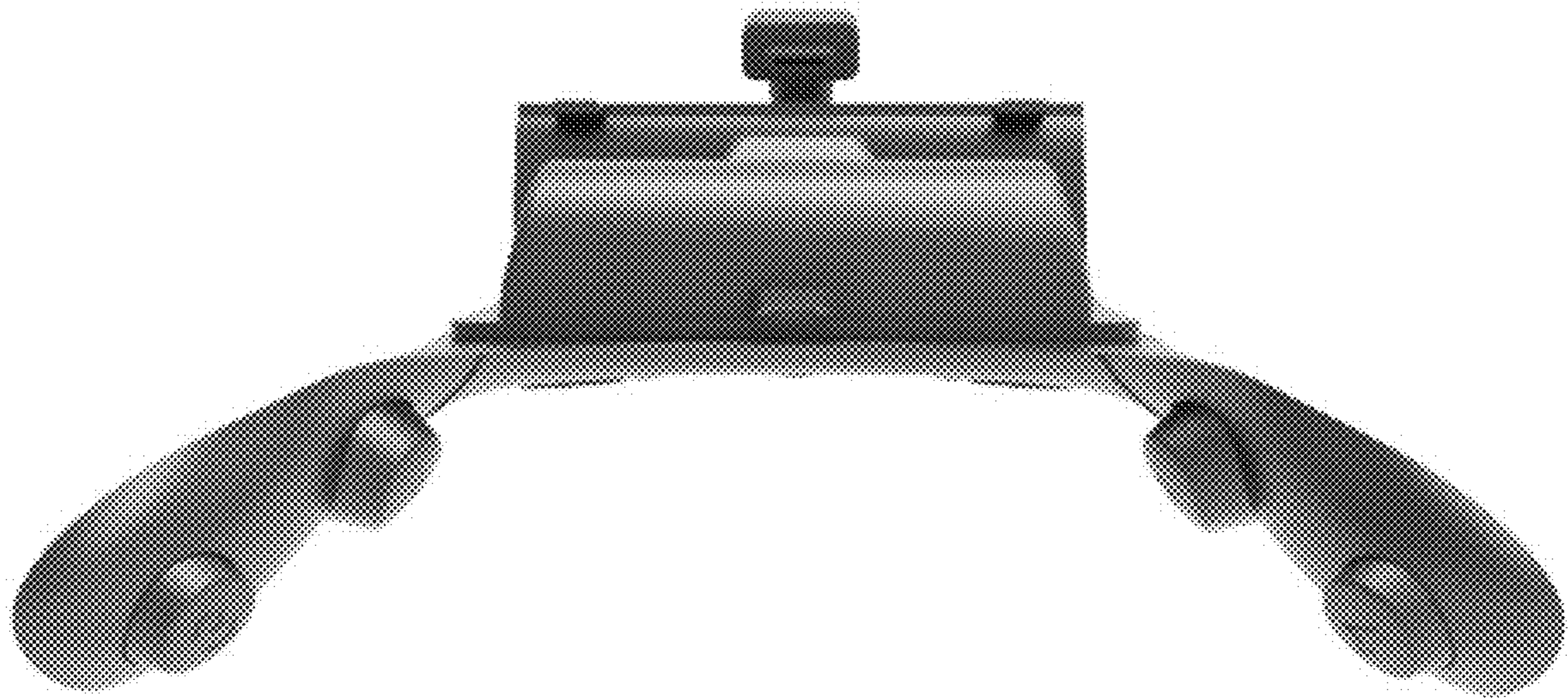


Fig. 6



Fig. 7

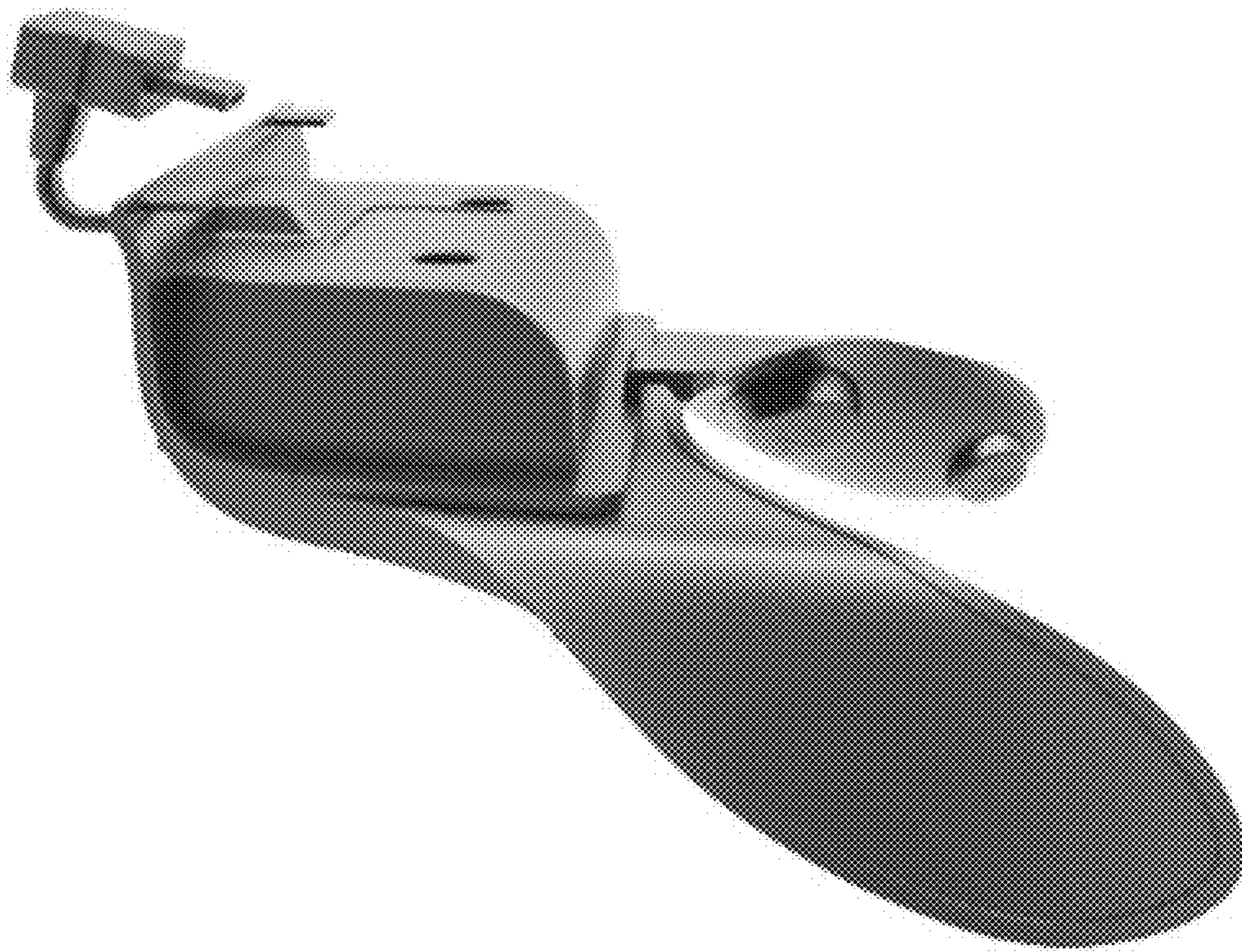


Fig. 8



Fig. 9



Fig. 10