



US00D934337S

(12) **United States Design Patent** (10) **Patent No.:** **US D934,337 S**
Trifilio (45) **Date of Patent:** **** Oct. 26, 2021**

(54) **ADJUSTABLE GUITAR PEDALBOARD**
(71) Applicant: **Chemistry Design Werks, LLC**, Saint Paul, MN (US)
(72) Inventor: **Christian Richard Trifilio**, Saint Paul, MN (US)
(73) Assignee: **Chemistry Design Werks, LLC**, Saint Paul, MN (US)

D862,581 S * 10/2019 Lackner D17/20
D902,612 S * 11/2020 Hu D6/349
2011/0271821 A1 11/2011 McKinney et al.
2017/0098438 A1 4/2017 Trifilio
2017/0140744 A1 5/2017 Kreifeldt et al.
2017/0206879 A1 7/2017 Fiden et al.
2017/0243572 A1 8/2017 Trifilio
(Continued)

(**) Term: **15 Years**

(21) Appl. No.: **29/697,107**
(22) Filed: **Jul. 3, 2019**
(51) **LOC (13) Cl.** **17-03**
(52) **U.S. Cl.**
USPC **D17/20**
(58) **Field of Classification Search**
USPC D17/9, 20, 21, 24, 99; D13/162, 163, D13/167
CPC .. G10D 13/11; G10D 99/00; G10H 2210/231; G10H 2210/265; G10H 1/02; A47C 16/02
See application file for complete search history.

FOREIGN PATENT DOCUMENTS

GB 2544517 A 5/2017

OTHER PUBLICATIONS

The Les Paul Forum, <https://www.lespaulforum.com/forum/showthread.php?162077-A-Better-Alternative-To-Velcro>, Oct. 2, 2009.

Primary Examiner — R. Johnson
(74) *Attorney, Agent, or Firm* — Campbell IP Law LLC

(57) **CLAIM**

The ornamental design for an adjustable guitar pedalboard, as shown and described.

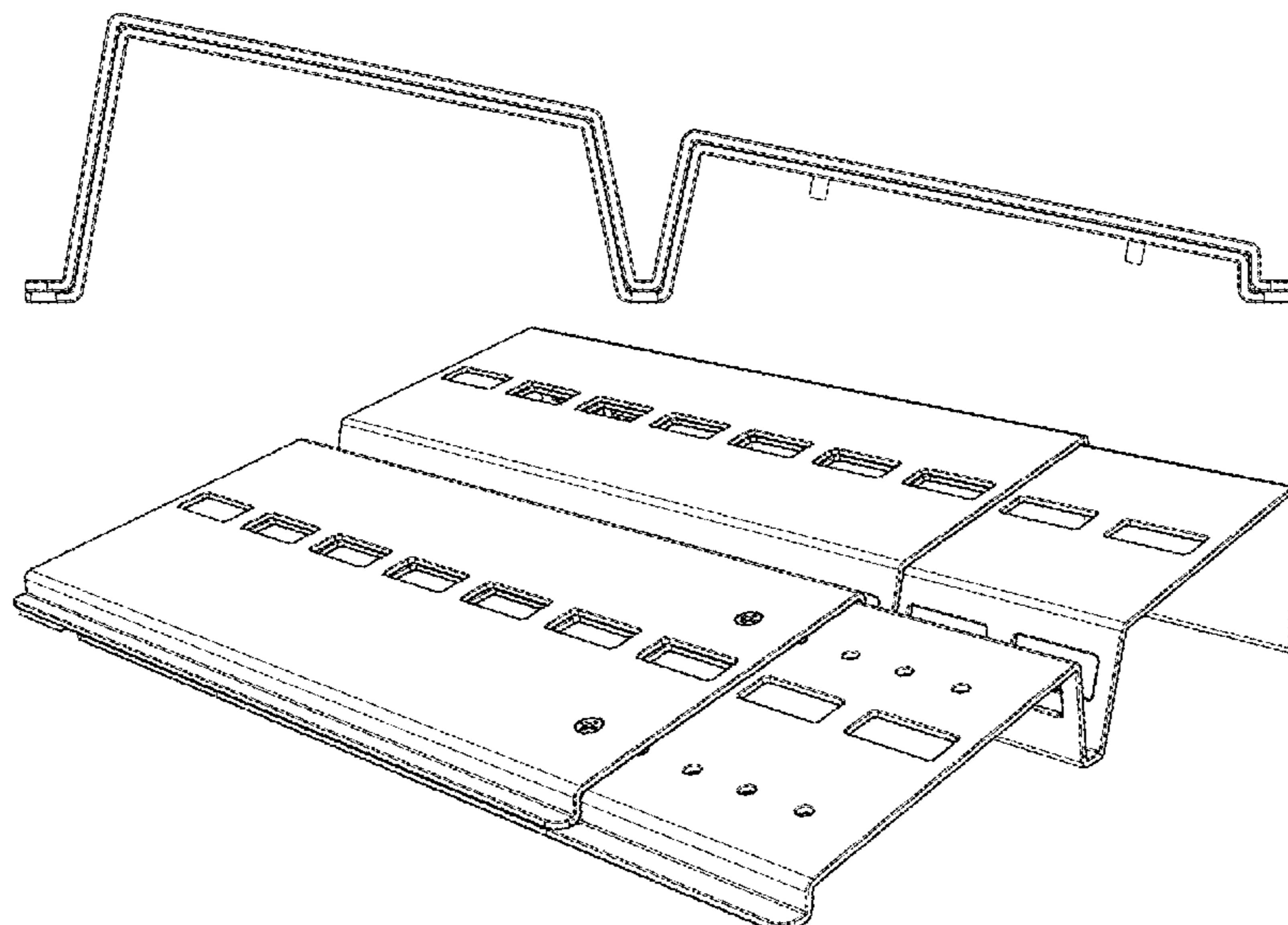
DESCRIPTION

FIG. 1 is a rear view of an adjustable guitar pedalboard showing my new design;
FIG. 2 is a top view thereof;
FIG. 3 is a front view thereof;
FIG. 4 is a right side view thereof;
FIG. 5 is a bottom view thereof;
FIG. 6 is a left side view thereof;
FIG. 7 is a rear perspective view thereof;
FIG. 8 is a front perspective view thereof, showing the design in an alternate position;
FIG. 9 is a front perspective view thereof, showing the design in an alternate position; and,
FIG. 10 is a front perspective view thereof, showing the design in an alternate position.

(56) **References Cited**
U.S. PATENT DOCUMENTS

6,459,023 B1	10/2002	Chandler	
7,485,792 B2	2/2009	Collins	
8,614,385 B2	12/2013	McKinney et al.	
D745,923 S	12/2015	Trifilio	
D745,924 S	12/2015	Trifilio	
D769,364 S	10/2016	Trifilio	
D795,334 S	8/2017	Kreifeldt et al.	
D815,682 S	4/2018	Trifilio et al.	
D824,993 S	8/2018	Trifilio	
D828,440 S	9/2018	Trifilio	
D831,103 S	10/2018	Trifilio	
D832,334 S *	10/2018	Kushner	D17/20
10,204,609 B2	2/2019	Grifols	
D847,898 S *	5/2019	Kushner	D17/20

1 Claim, 4 Drawing Sheets



(56)

References Cited

U.S. PATENT DOCUMENTS

2018/0151162 A1 5/2018 McKenzie
2018/0301131 A1 10/2018 Jashyn

* cited by examiner

FIG. 1

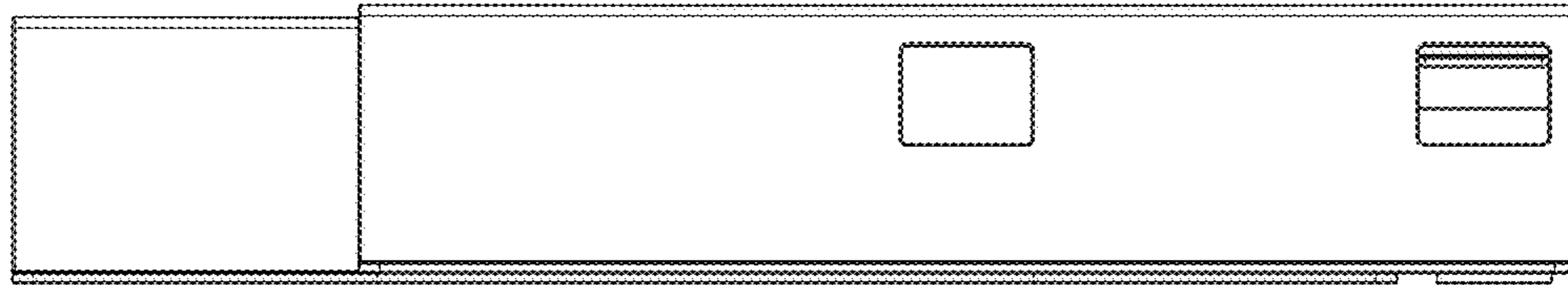


FIG. 2

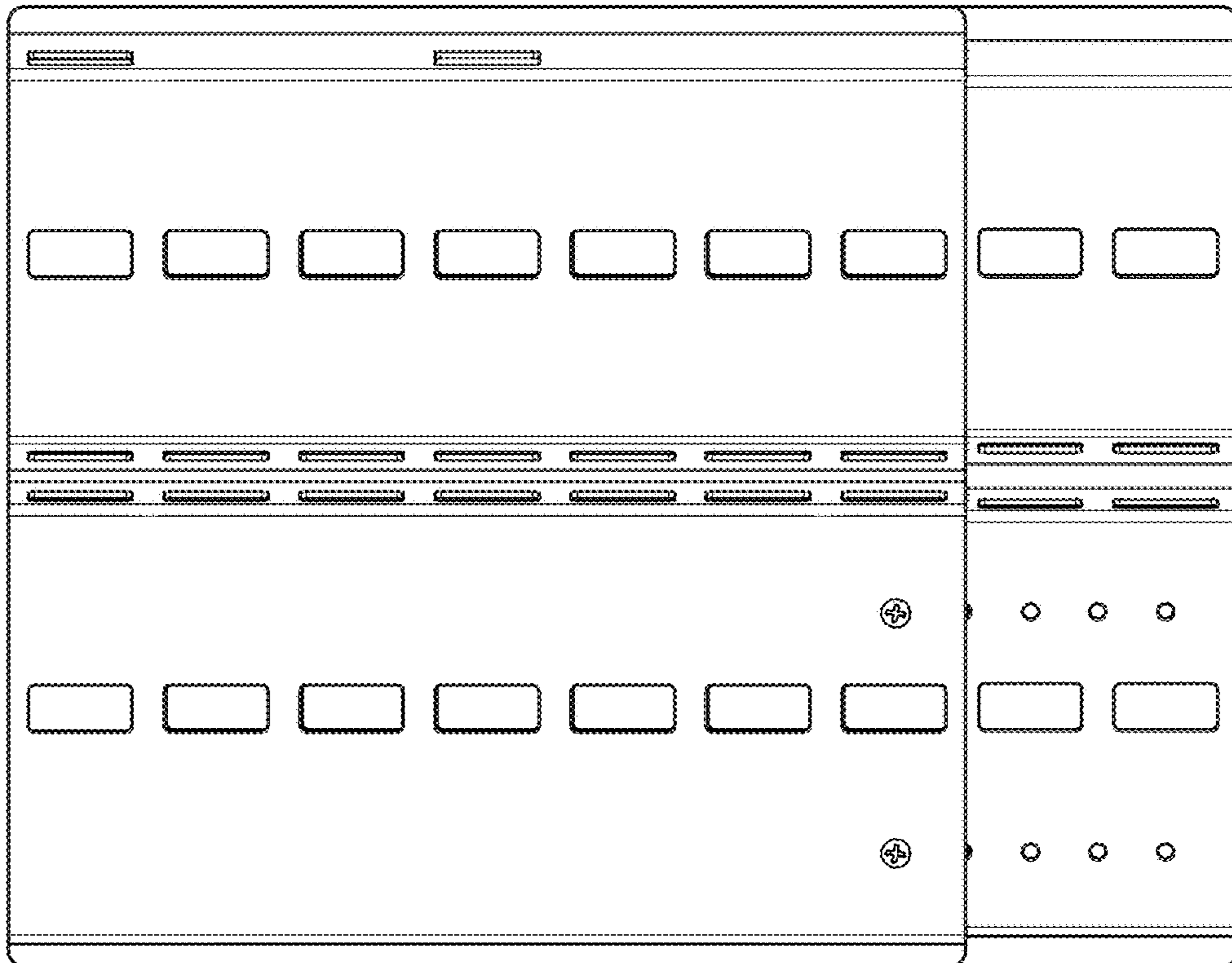


FIG. 3

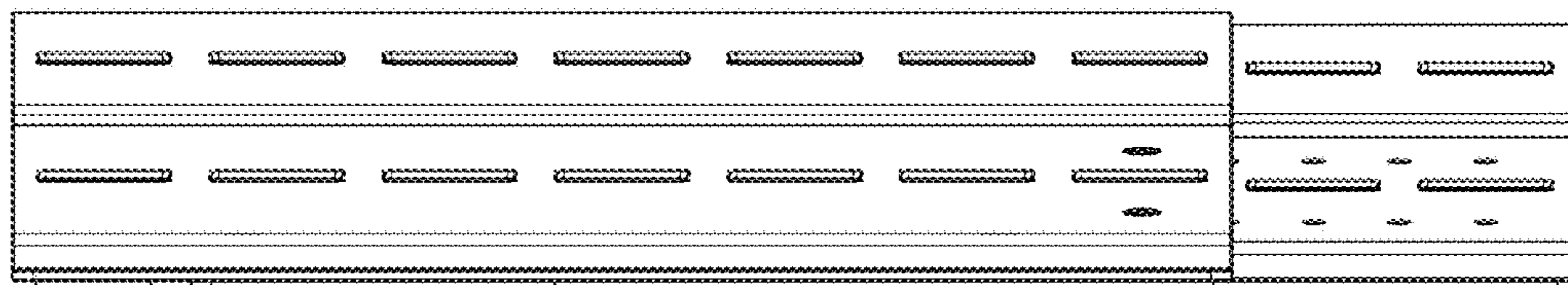


FIG. 4

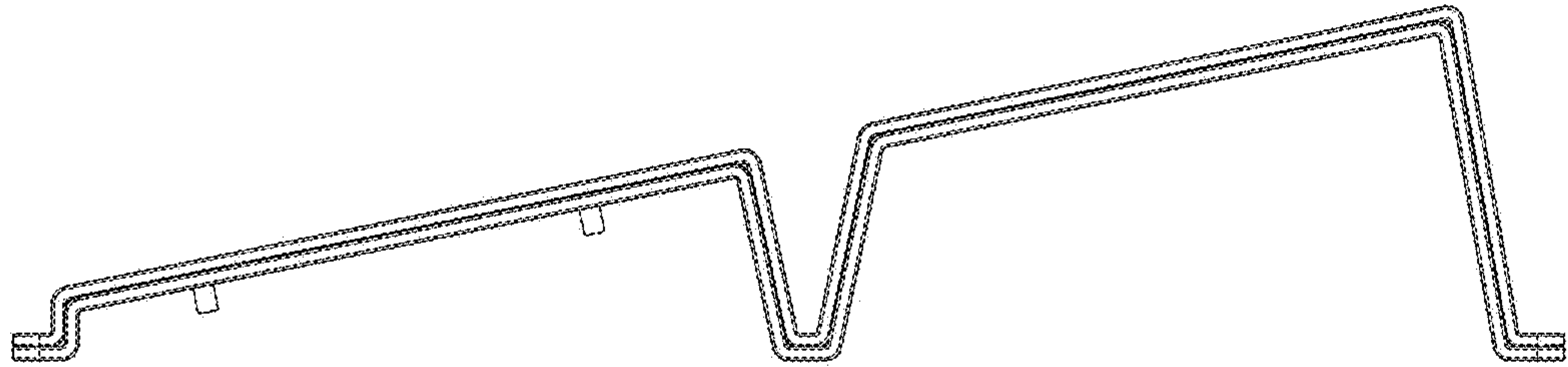


FIG. 5

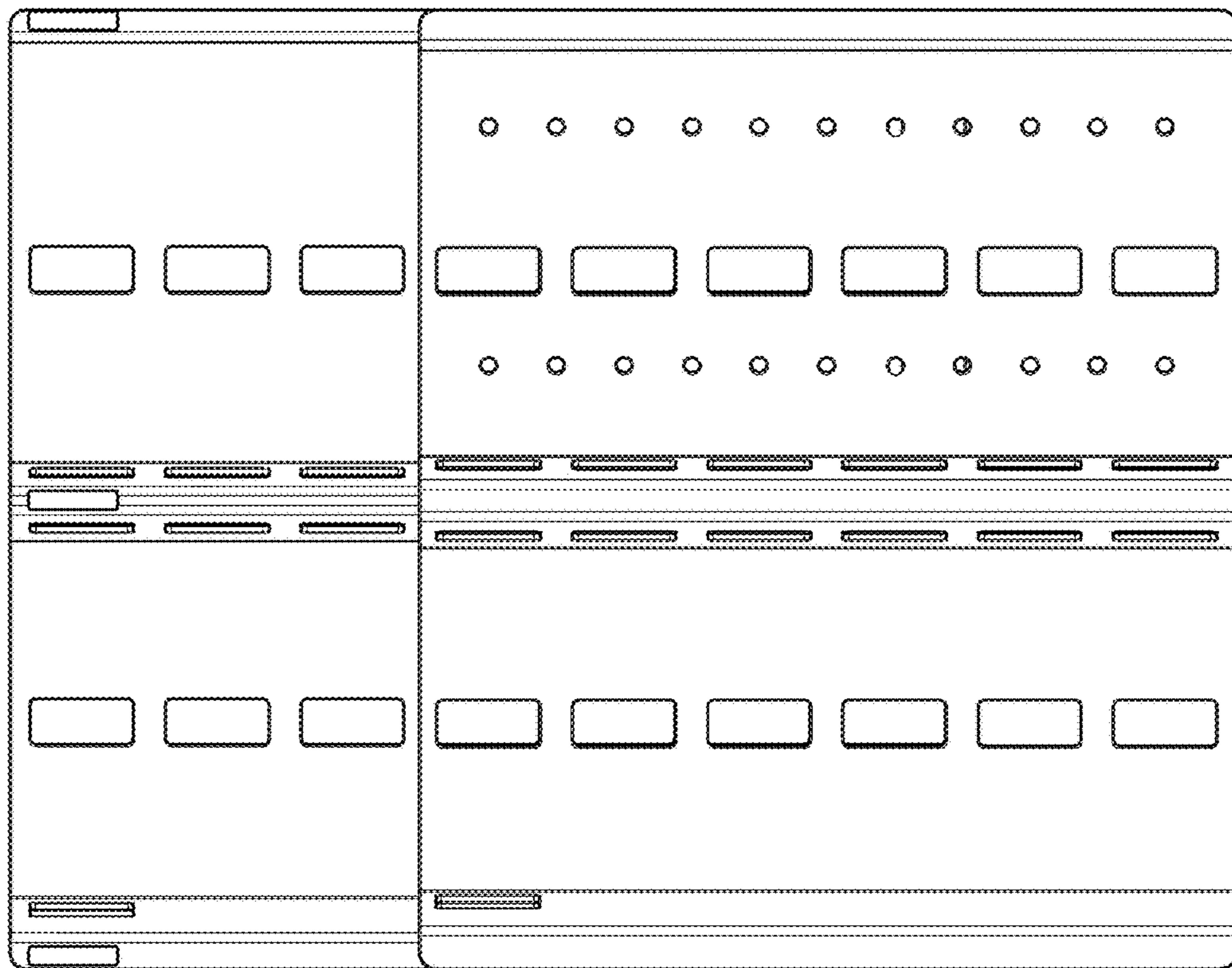


FIG. 6

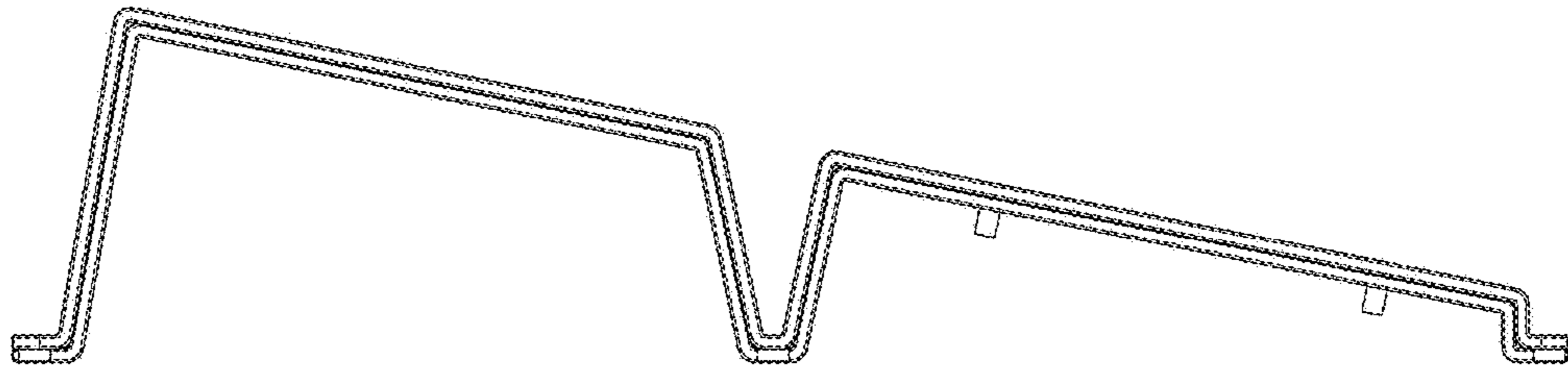


FIG. 7

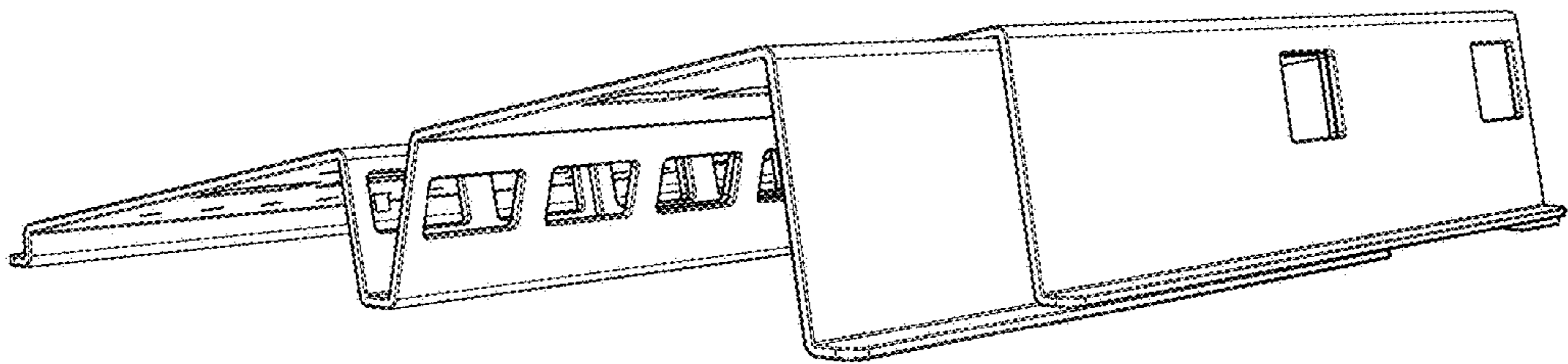


FIG. 8

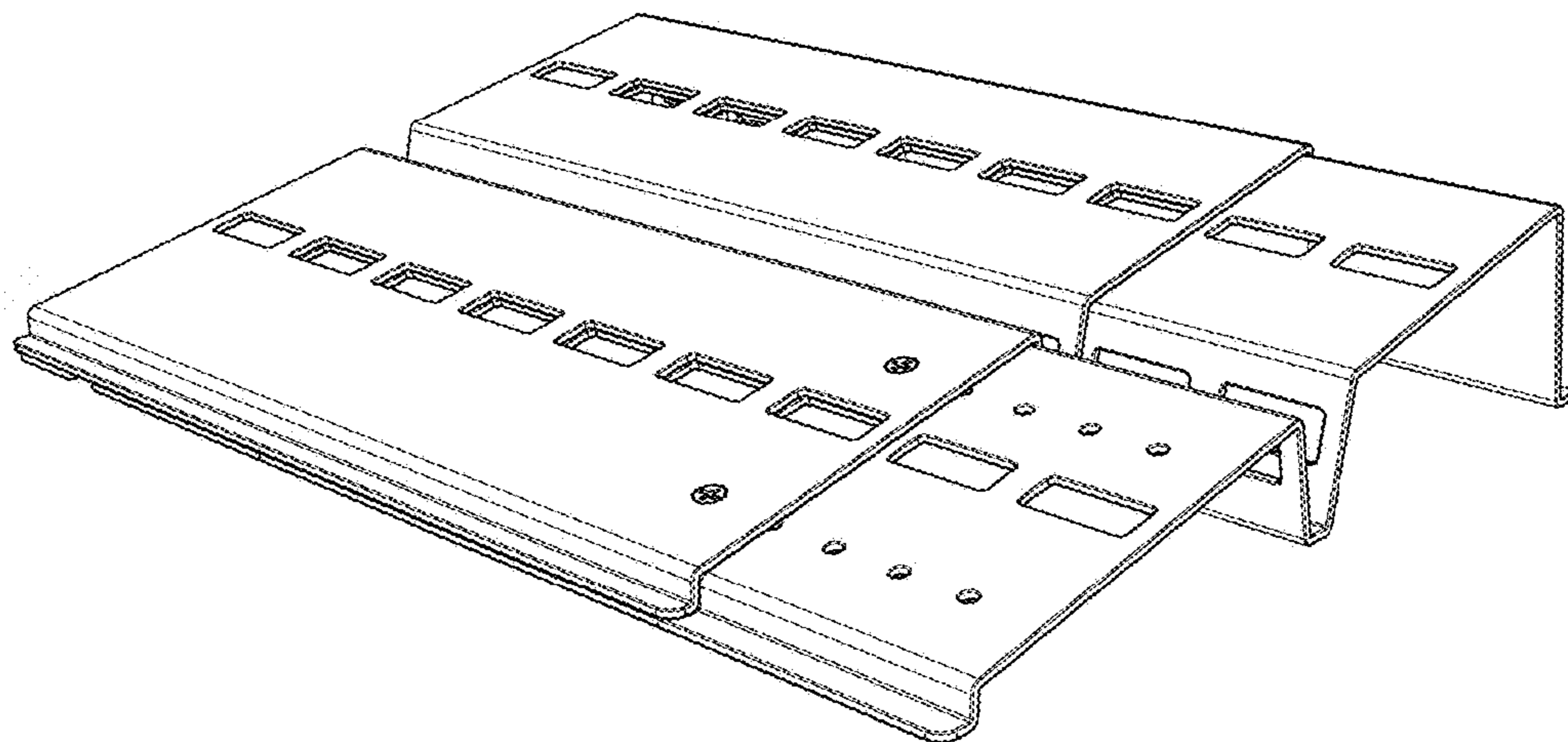


FIG. 9

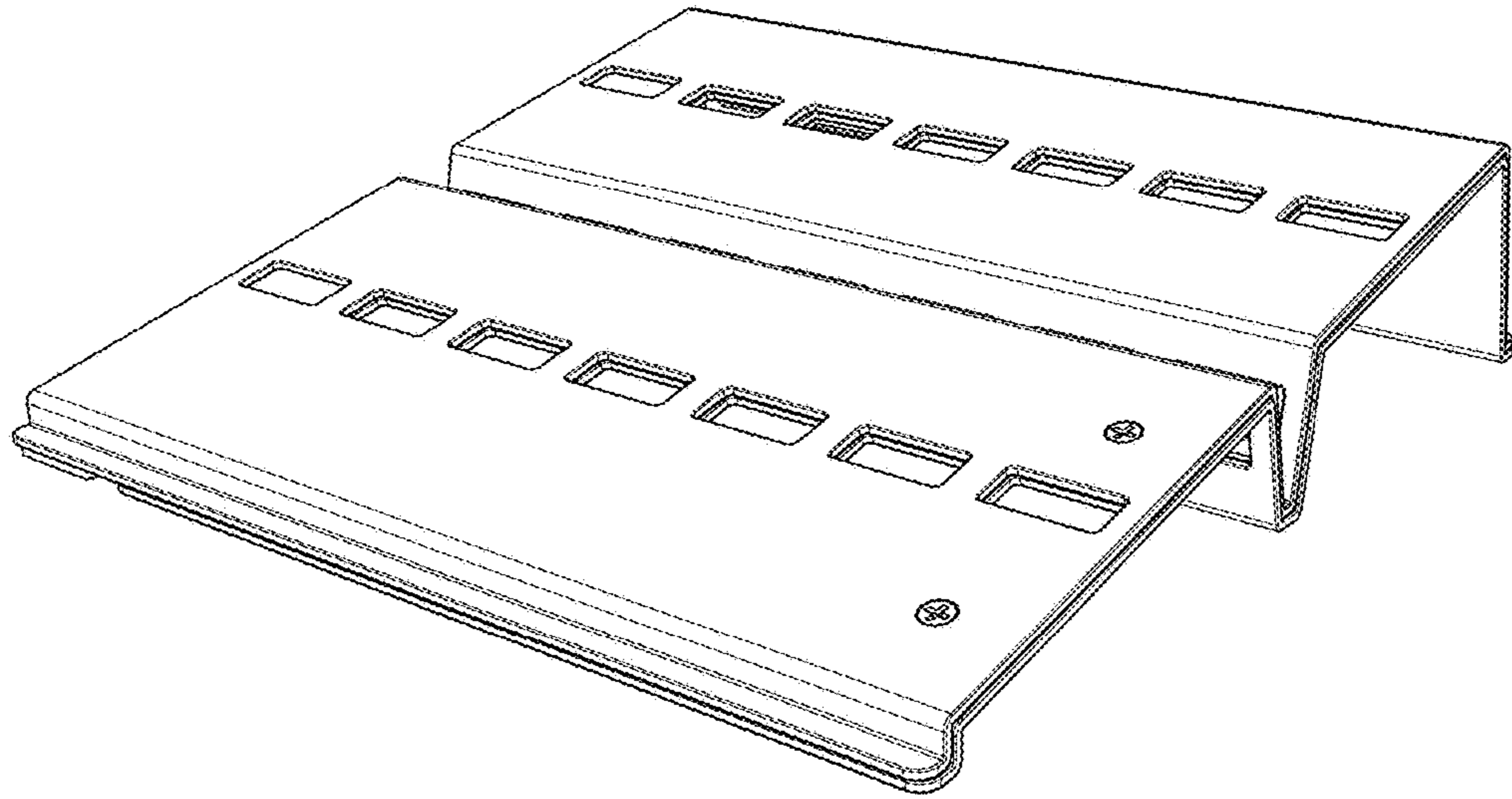


FIG. 10

