



US00D934336S

(12) **United States Design Patent** (10) **Patent No.:** **US D934,336 S**
Trifilio (45) **Date of Patent:** **** Oct. 26, 2021**

(54) **ADJUSTABLE GUITAR PEDALBOARD**
(71) Applicant: **Chemistry Design Werks, LLC**, Saint Paul, MN (US)
(72) Inventor: **Christian Richard Trifilio**, Saint Paul, MN (US)
(73) Assignee: **Chemistry Design Werks, LLC**, Saint Paul, MN (US)

D862,581 S * 10/2019 Lackner D17/20
D902,612 S * 11/2020 Hu D6/349
2011/0271821 A1 11/2011 McKinney et al.
2017/0098438 A1 4/2017 Trifilio
2017/0140744 A1 5/2017 Kreifeldt et al.
2017/0206879 A1 7/2017 Fiden et al.

(Continued)

FOREIGN PATENT DOCUMENTS

GB 2544517 A 5/2017

(**) Term: **15 Years**

OTHER PUBLICATIONS

(21) Appl. No.: **29/683,788**

The Les Paul Forum, <https://www.lespaulforum.com/forum/showthread.php?162077-A-Better-Alternative-To-Velcro>, Oct. 2, 2009.

(22) Filed: **Mar. 15, 2019**

Primary Examiner — R. Johnson

(51) **LOC (13) Cl.** **17-03**

(74) *Attorney, Agent, or Firm* — Campbell IP Law LLC

(52) **U.S. Cl.**
USPC **D17/20**

(57) **CLAIM**

(58) **Field of Classification Search**
USPC D17/9, 20, 21, 24, 99; D13/162, 163, D13/167

I claim the ornamental design for an adjustable guitar pedalboard, as shown and described.

CPC .. G10D 13/11; G10D 99/00; G10H 2210/231; G10H 2210/265; G10H 1/02; A47C 16/02

DESCRIPTION

See application file for complete search history.

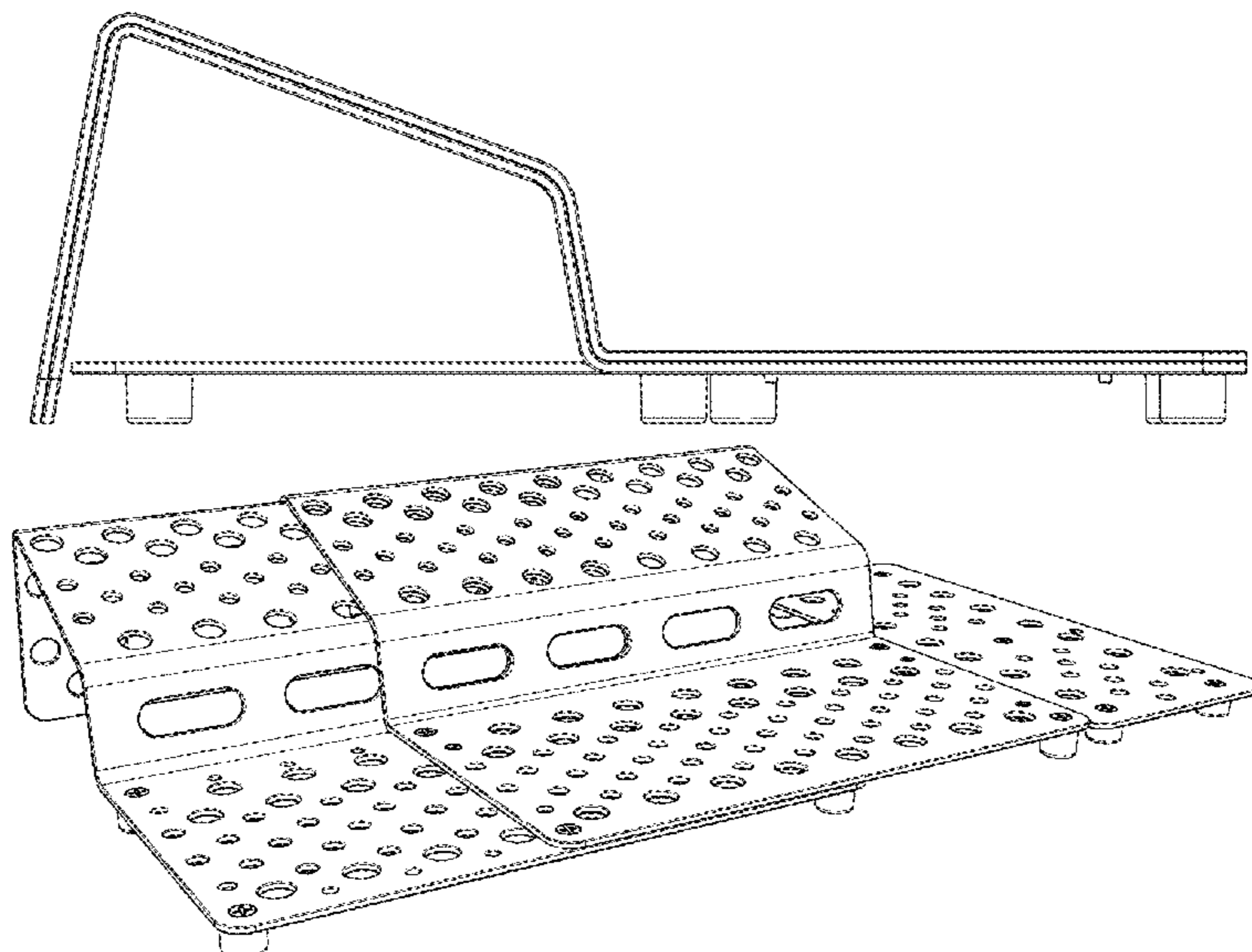
FIG. 1 is a rear view of an adjustable guitar pedalboard showing my new design;
FIG. 2. is a top view thereof;
FIG. 3. is a front view thereof;
FIG. 4 is a right side view thereof;
FIG. 5 is a bottom view thereof;
FIG. 6 is a left side view thereof;
FIG. 7 is a rear perspective view thereof;
FIG. 8 is a front perspective thereof;
FIG. 9 is a front perspective thereof, showing the design in an alternate position;
FIG. 10 is a front perspective thereof, showing the design in an alternate position; and,
FIG. 11 is a front perspective thereof, showing the design in an alternate position.

(56) **References Cited**

U.S. PATENT DOCUMENTS

6,459,023 B1 10/2002 Chandler
7,485,792 B2 2/2009 Collins
8,614,385 B2 12/2013 McKinney et al.
D745,923 S 12/2015 Trifilio
D745,924 S 12/2015 Trifilio
D769,364 S 10/2016 Trifilio
D795,334 S 8/2017 Kreifeldt et al.
D815,682 S 4/2018 Trifilio et al.
D824,993 S 8/2018 Trifilio
D828,440 S 9/2018 Trifilio
D831,103 S 10/2018 Trifilio
D832,334 S * 10/2018 Kushner D17/20
10,204,609 B2 2/2019 Grifols
D847,898 S * 5/2019 Kushner D17/20

1 Claim, 4 Drawing Sheets



(56)

References Cited

U.S. PATENT DOCUMENTS

2017/0243572 A1 8/2017 Trifilio
2018/0151162 A1 5/2018 McKenzie
2018/0301131 A1 10/2018 Jashyn

* cited by examiner

Fig. 1

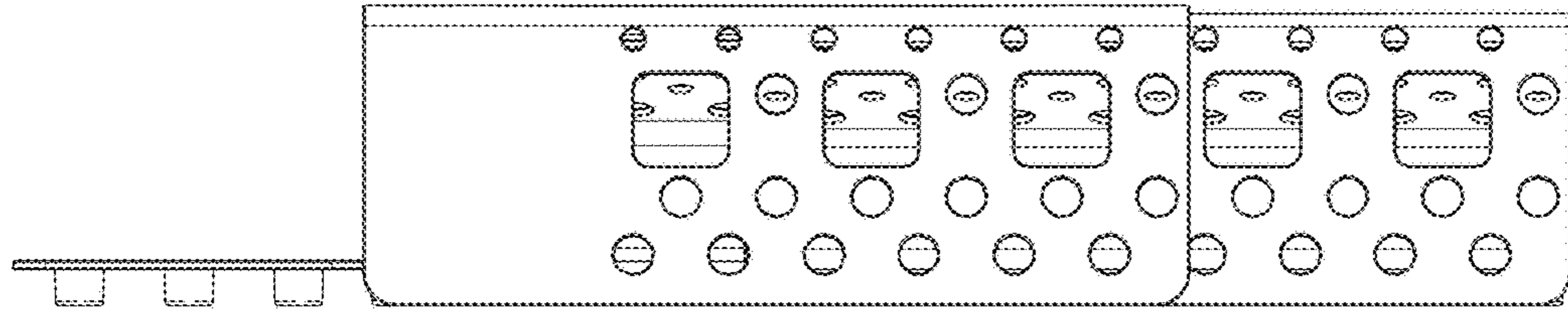


Fig. 2

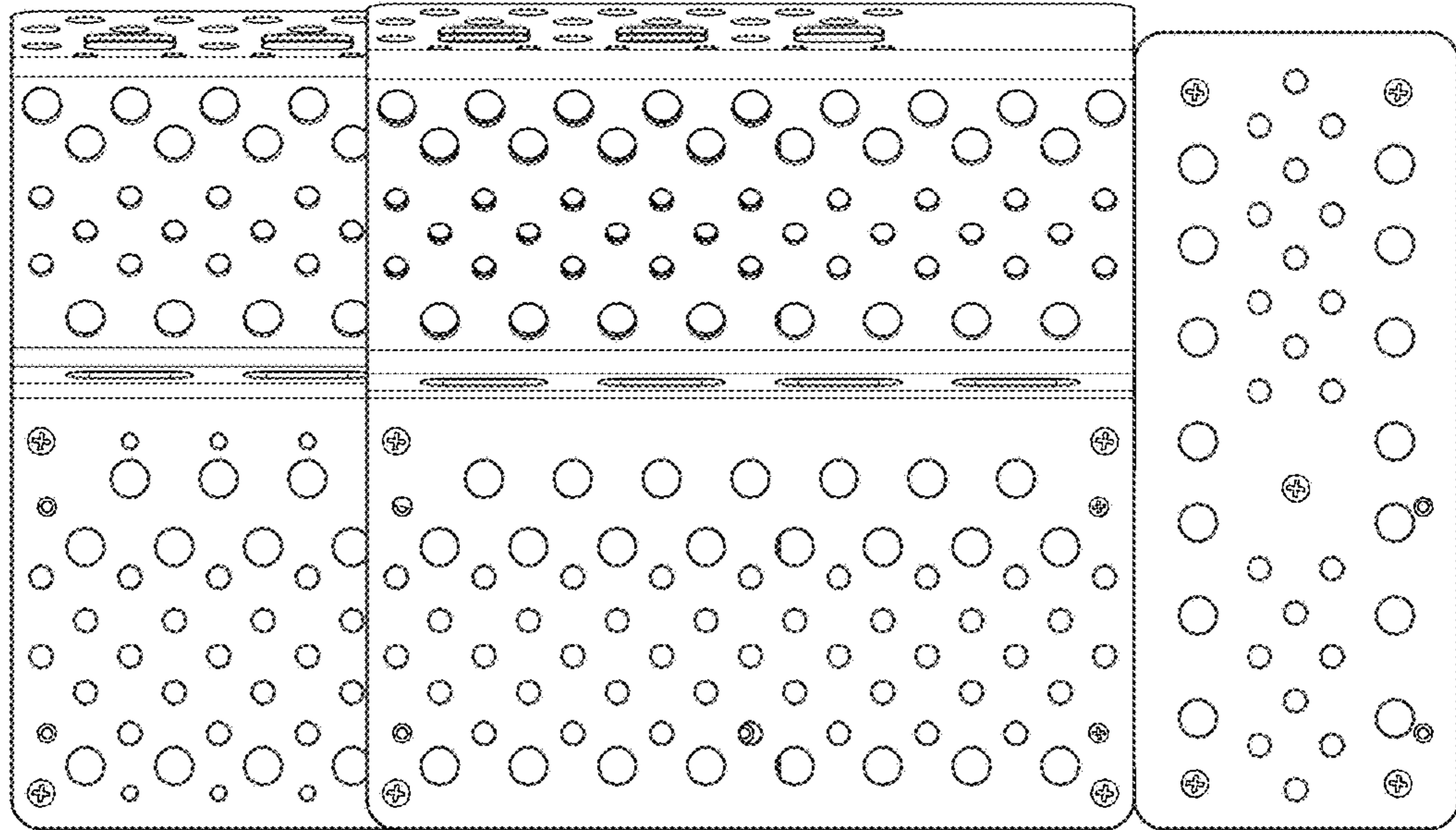


Fig. 3

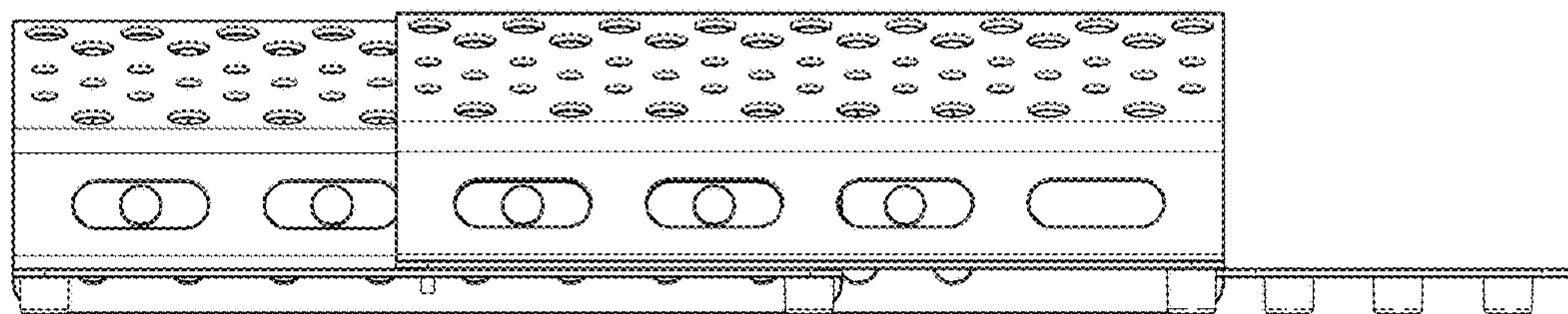


Fig. 4

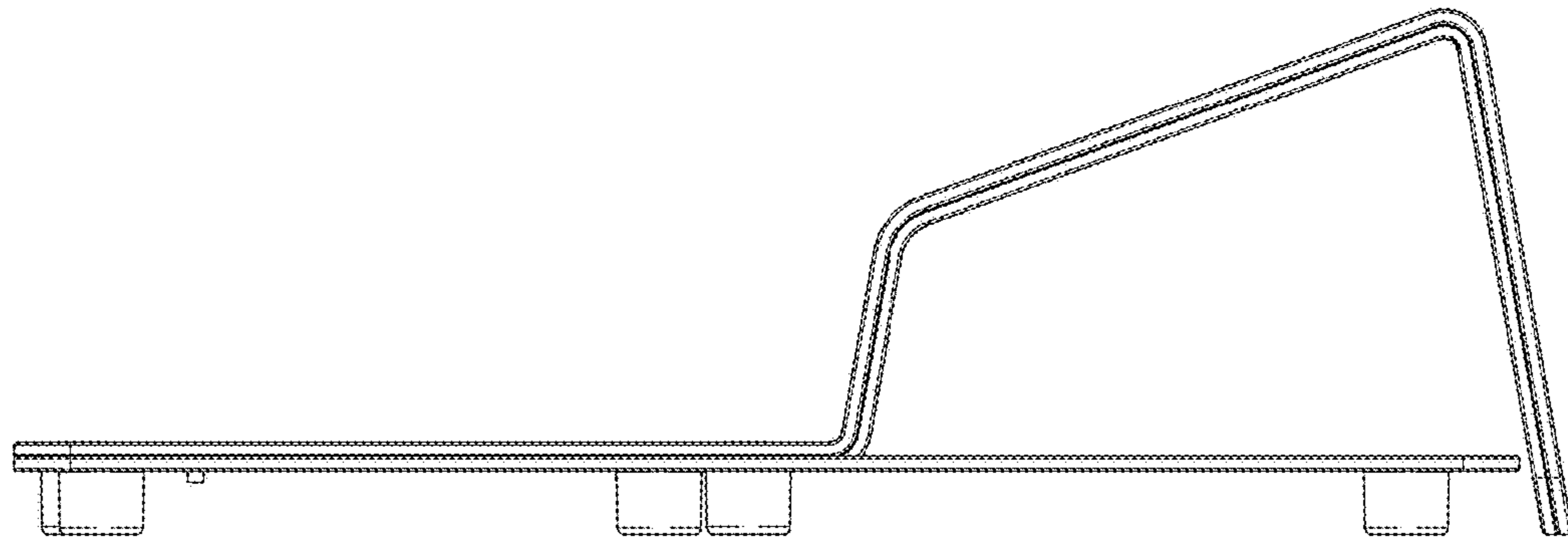


Fig. 5

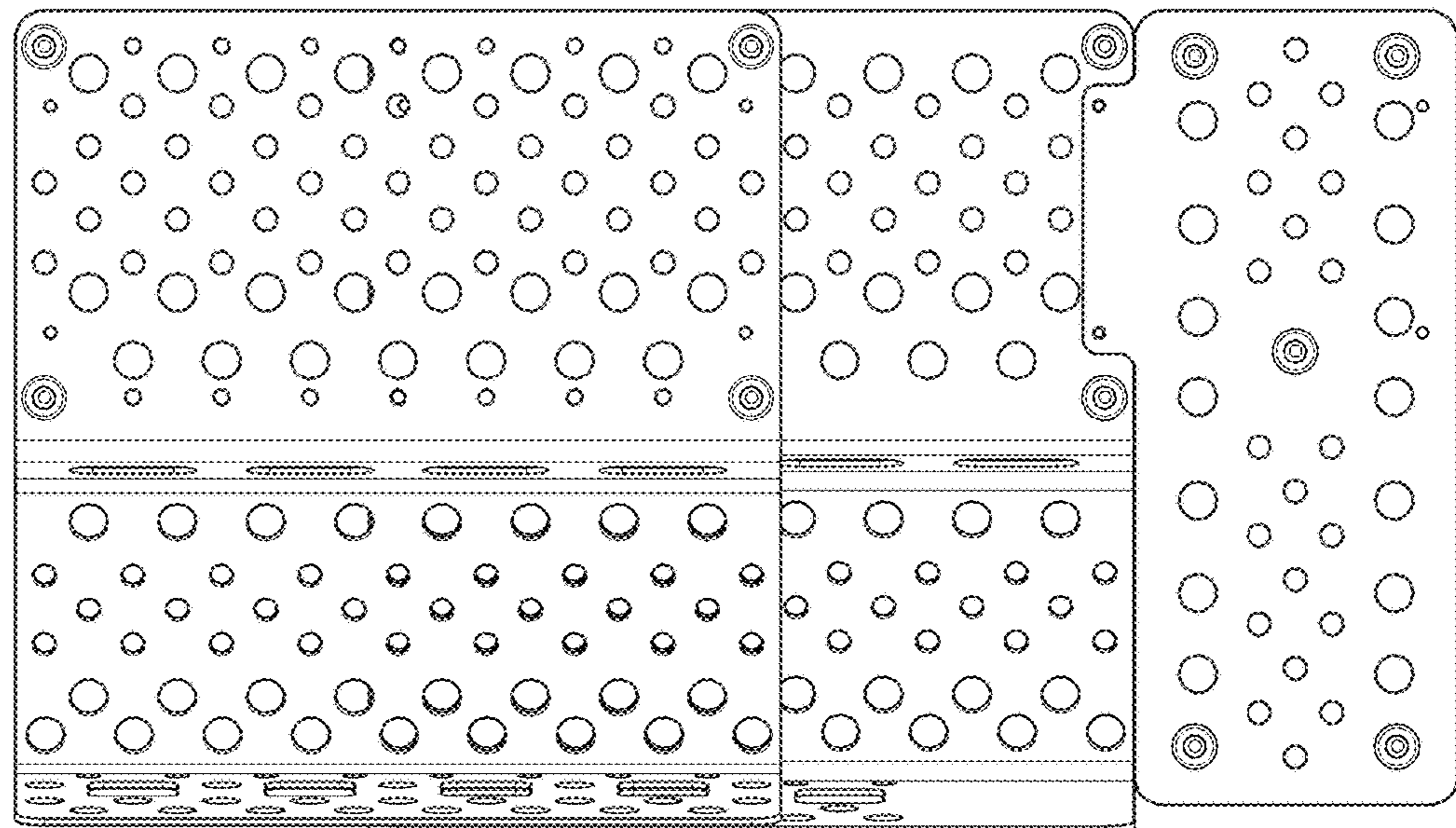


Fig. 6

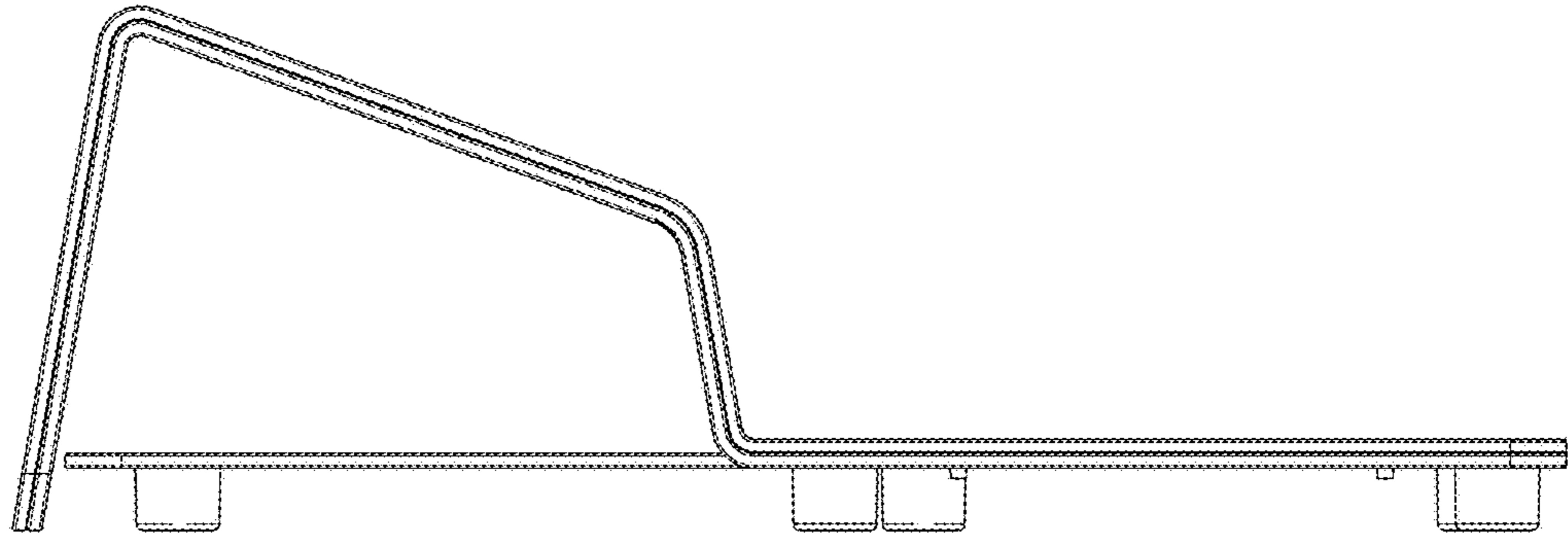


Fig. 7

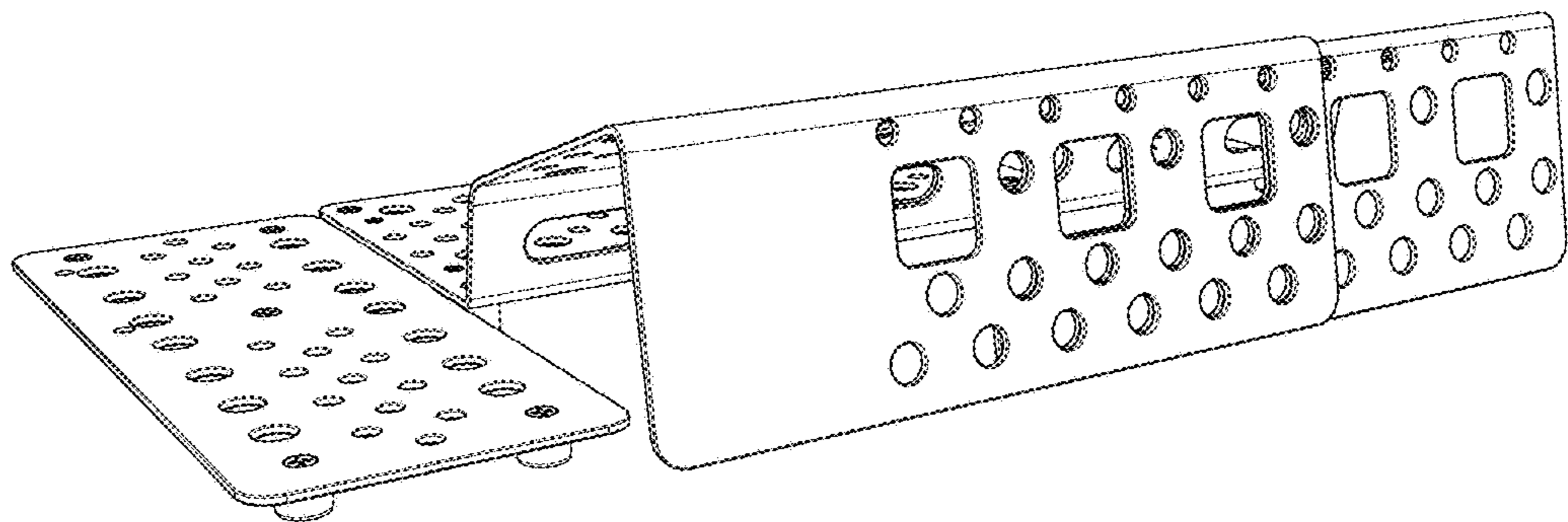


Fig. 8

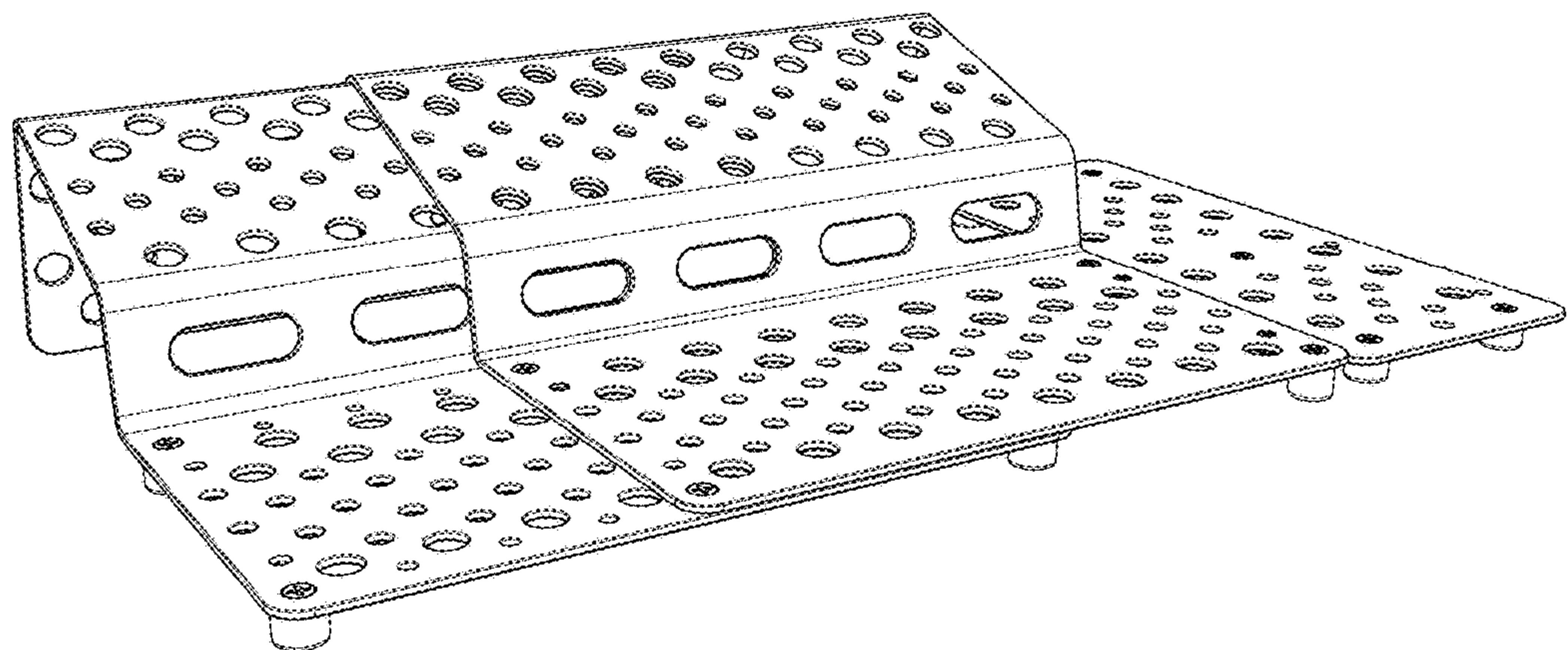


Fig. 9

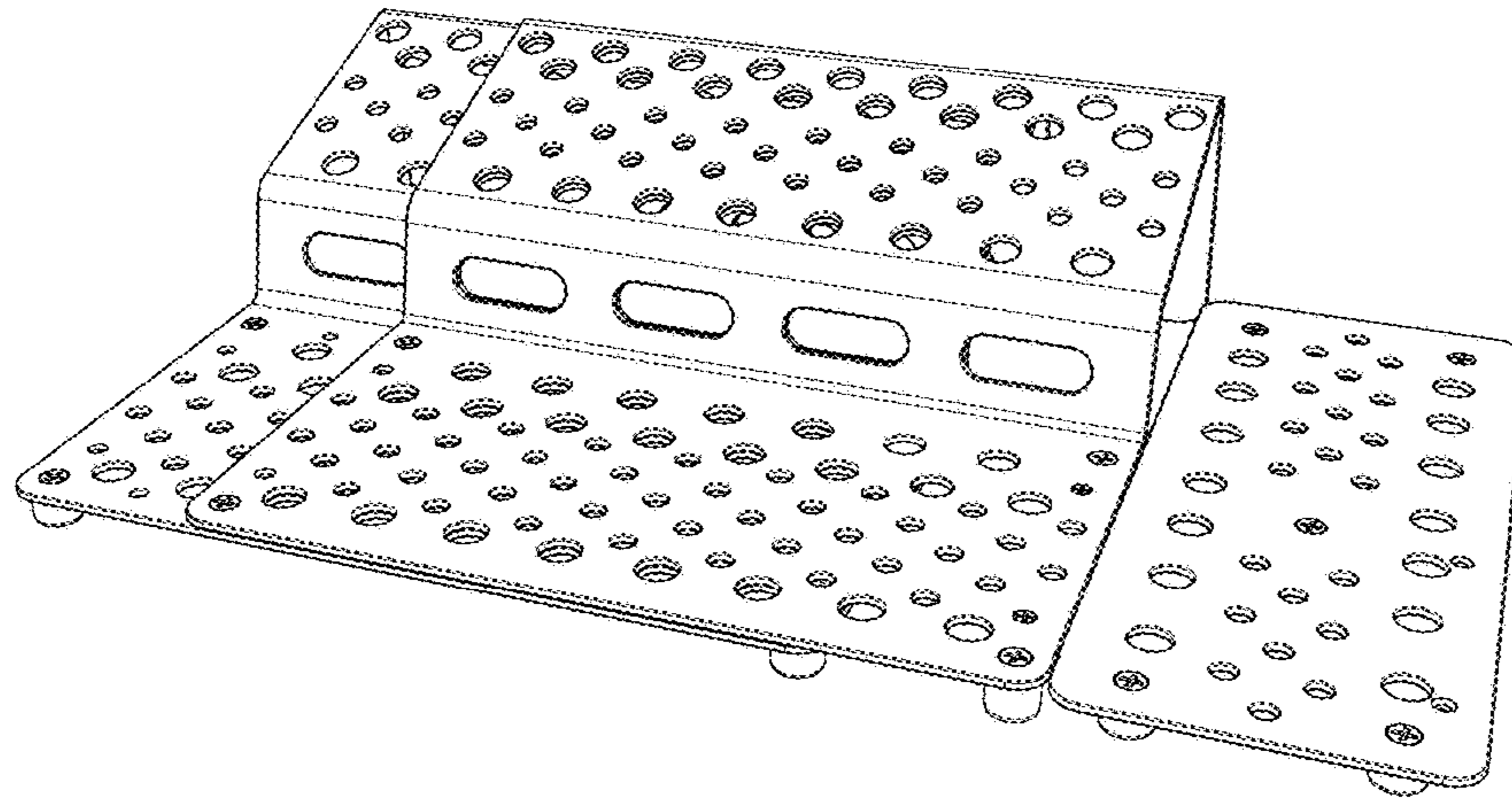


Fig. 10

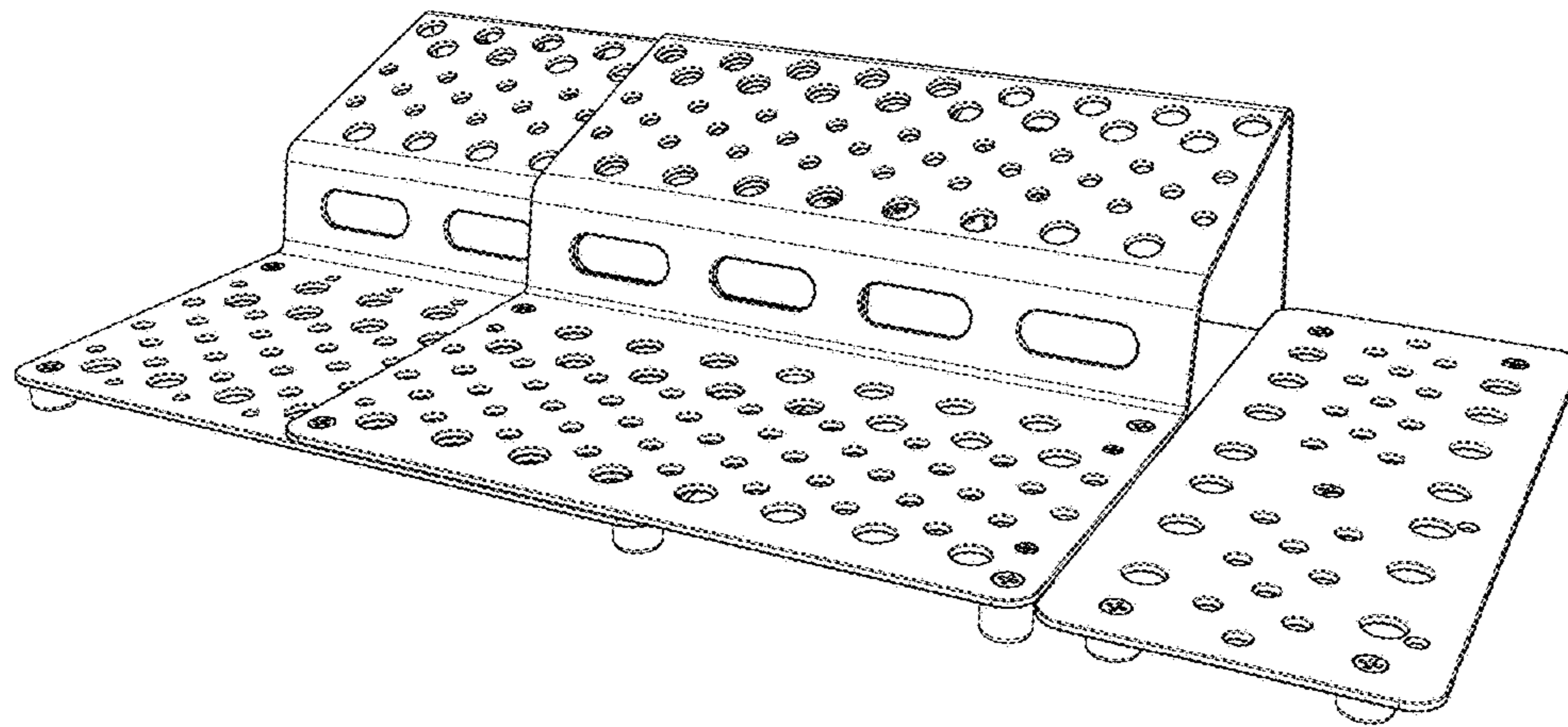


Fig. 11

