



US00D934329S

(12) **United States Design Patent**
Imamizu et al.

(10) **Patent No.:** **US D934,329 S**

(45) **Date of Patent:** **** Oct. 26, 2021**

(54) **CAMERA LENS**

(71) Applicant: **Nikon Corporation**, Tokyo (JP)

(72) Inventors: **Makoto Imamizu**, Yokohama (JP);
Yutaka Nikaido, Kamakura (JP)

(73) Assignee: **Nikon Corporation**, Tokyo (JP)

(**) Term: **15 Years**

(21) Appl. No.: **29/690,922**

(22) Filed: **May 13, 2019**

(51) **LOC (13) Cl.** **16-05**

(52) **U.S. Cl.**
USPC **D16/219**

(58) **Field of Classification Search**

USPC D16/134, 136, 200, 202–205, 218, 219,
D16/235; 348/373–376; 359/826–828;
396/529–532, 535, 539–541
CPC G03B 17/02; G03B 19/04; G03B 17/56;
G03B 17/04; G03B 15/03; G03B 17/14;
H04N 5/2251; H04N 5/2252; H04N
5/2253;

(Continued)

(56) **References Cited**

U.S. PATENT DOCUMENTS

D562,862 S * 2/2008 Yasutomi D16/134
D562,864 S * 2/2008 Yasutomi D16/134

(Continued)

FOREIGN PATENT DOCUMENTS

JP D1293312 S † 2/2007
JP D1293871 S † 2/2007

(Continued)

OTHER PUBLICATIONS

[No Author Listed], Carl Zeiss Batis 25 mm f/2 review—Build quality—LensTip.com from a webpage posted on Sep. 15, 2016. 5

pages. https://www.lensstip.com/485.3-Lens_review-Carl_Zeiss_Batis_25_mm_f_2_Build_quality.html [last accessed Apr. 23, 2019].†

Primary Examiner — Ramzi Almatrahi

(74) *Attorney, Agent, or Firm* — Wolf, Greenfield & Sacks, P.C.

(57) **CLAIM**

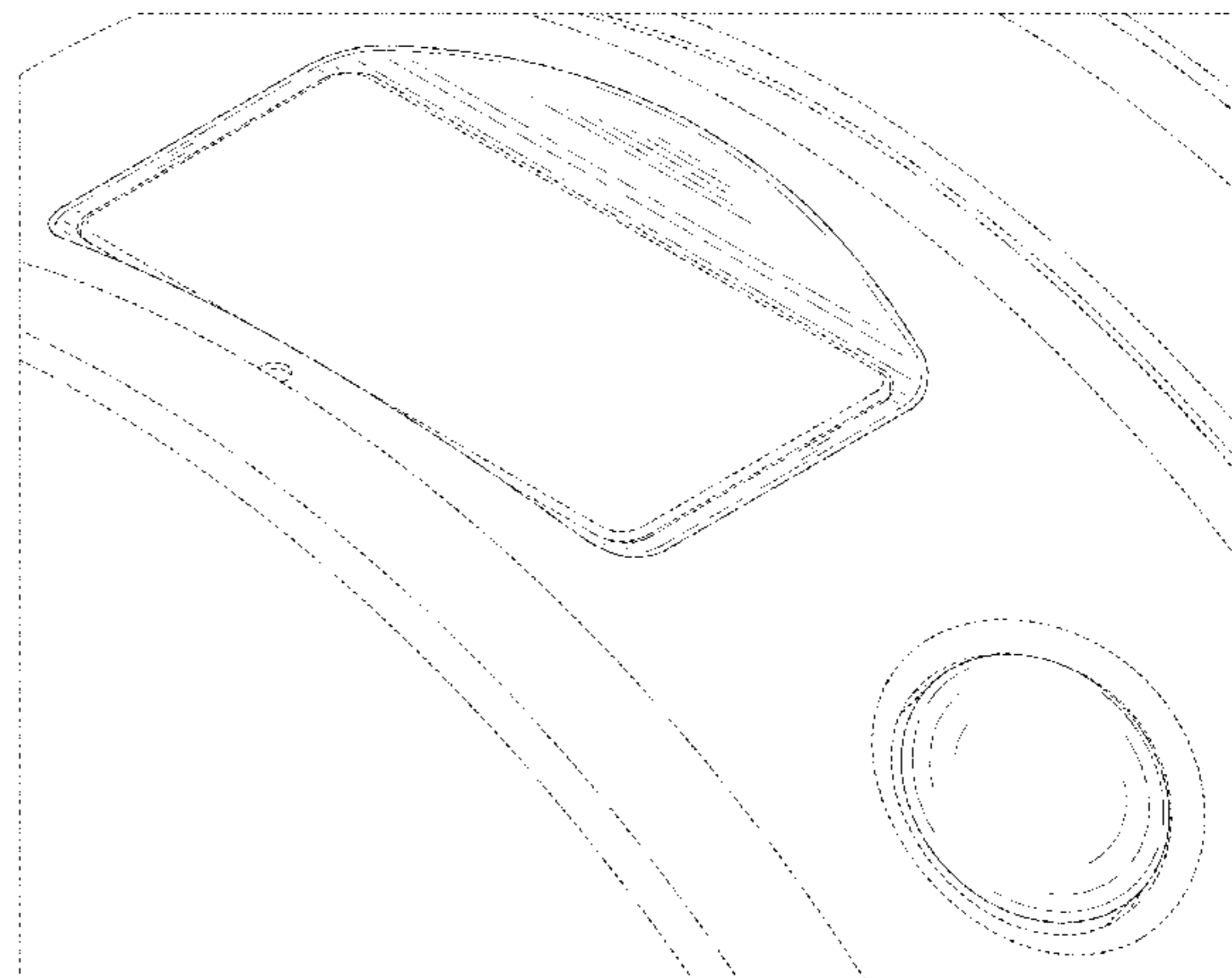
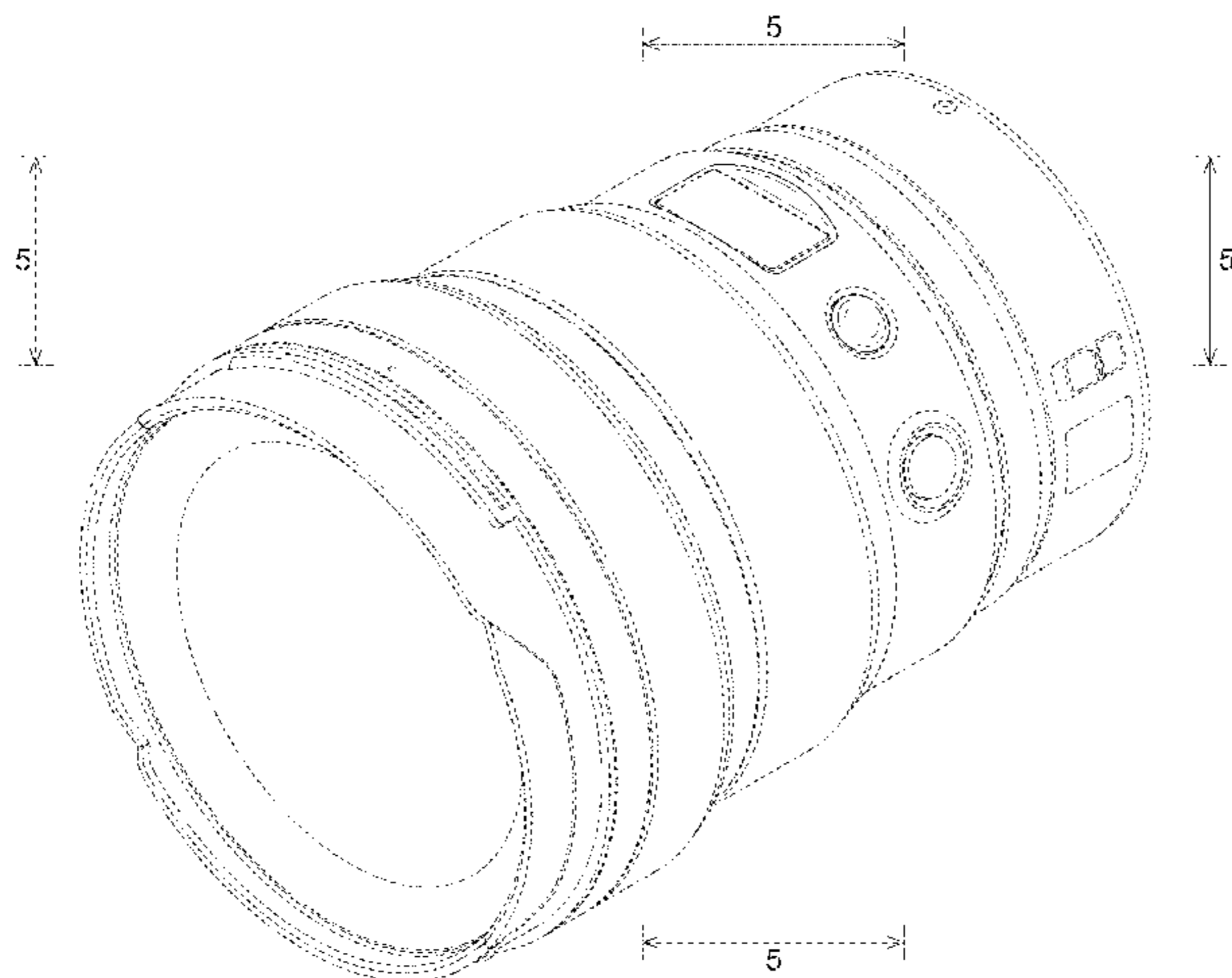
The ornamental design for a camera lens, as shown and described.

DESCRIPTION

FIG. 1 is a front, top and left side perspective view of a first embodiment of a camera lens showing our new design; FIG. 2 is a front view thereof; FIG. 3 is a rear view thereof; FIG. 4 is a top plan view thereof; FIG. 5 is an enlarged view of the portion indicated by lines 5-5 in FIG. 1; FIG. 6 is an enlarged view of the portion indicated by lines 6-6 in FIG. 2; FIG. 7 is an enlarged view of the portion indicated by lines 7-7 in FIG. 4; FIG. 8 is a front, top and left side perspective view of a second embodiment of a camera lens showing our new design; FIG. 9 is a front view thereof; FIG. 10 is a rear view thereof; FIG. 11 is a top plan view thereof; FIG. 12 is an enlarged view of the portion indicated by lines 12-12 in FIG. 8; FIG. 13 is an enlarged view of the portion indicated by lines 13-13 in FIG. 9; and, FIG. 14 is an enlarged view of the portion indicated by lines 14-14 in FIG. 11.

The broken lines depict portions of the camera lens in which the design is embodied that form no part of the claimed design.

1 Claim, 14 Drawing Sheets



(58) **Field of Classification Search**

CPC H04N 5/2254; G02B 7/02; G02B 7/04;
G02B 7/14

See application file for complete search history.

(56) **References Cited**

U.S. PATENT DOCUMENTS

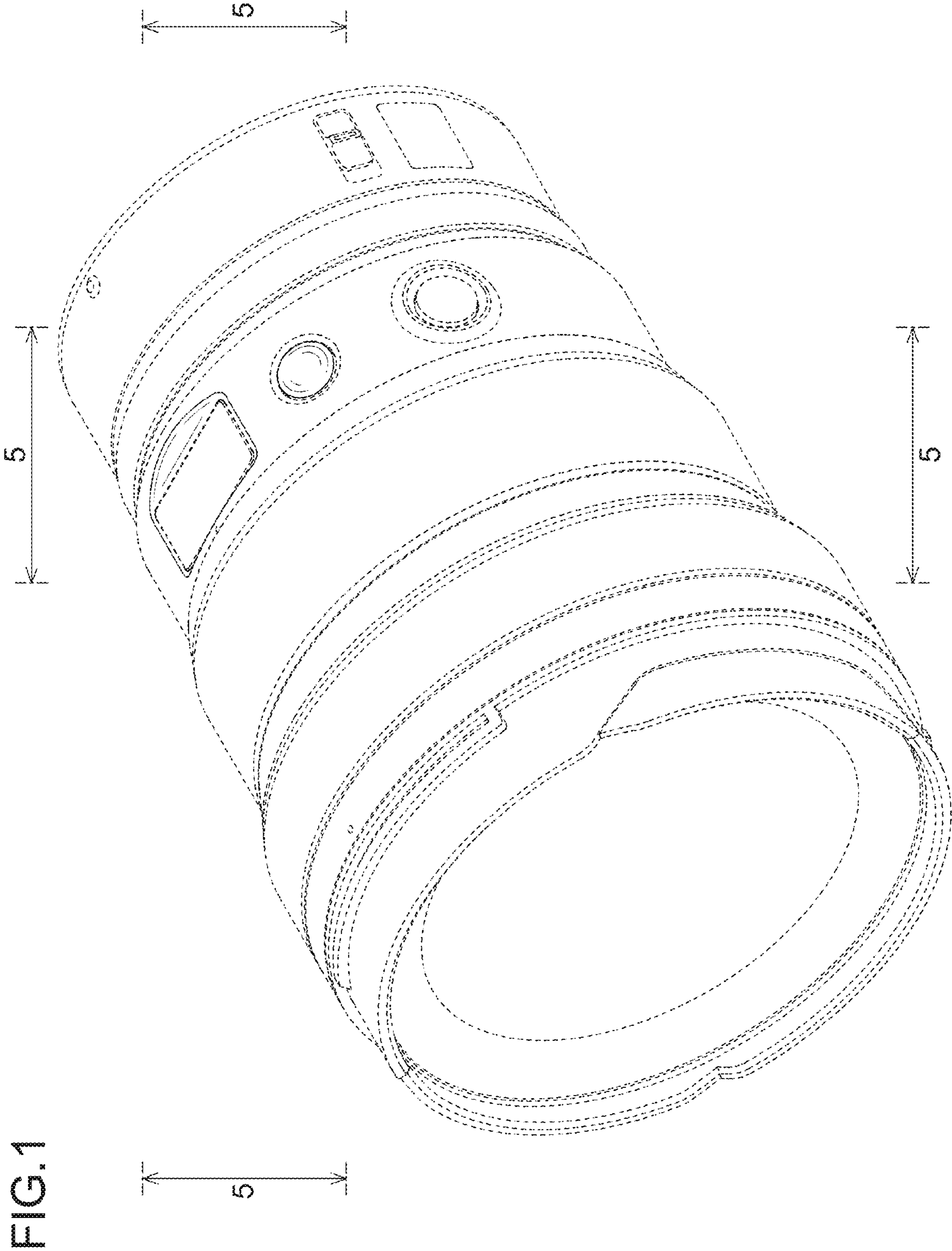
D562,865	S	*	2/2008	Yasutomi	D16/134
D713,870	S	*	9/2014	Li	D16/219
D717,356	S	*	11/2014	Nikaido	D16/219
D744,024	S	*	11/2015	Oh	D16/219
D744,025	S	*	11/2015	Oh	D16/219
D750,689	S	*	3/2016	Oh	D16/219
D867,430	S	*	11/2019	Ikegame	D16/219
D868,134	S	*	11/2019	Kamei	D16/219
D882,668	S	*	4/2020	Ikegame	D16/219
D886,179	S	*	6/2020	Moller	D16/219
D908,162	S	*	1/2021	Yoon	D16/219

FOREIGN PATENT DOCUMENTS

JP	D1293872	S	†	2/2007
JP	D1518815	S	†	3/2015
JP	D1546624	S	†	3/2016
JP	D1568571	S	†	2/2017

* cited by examiner

† cited by third party



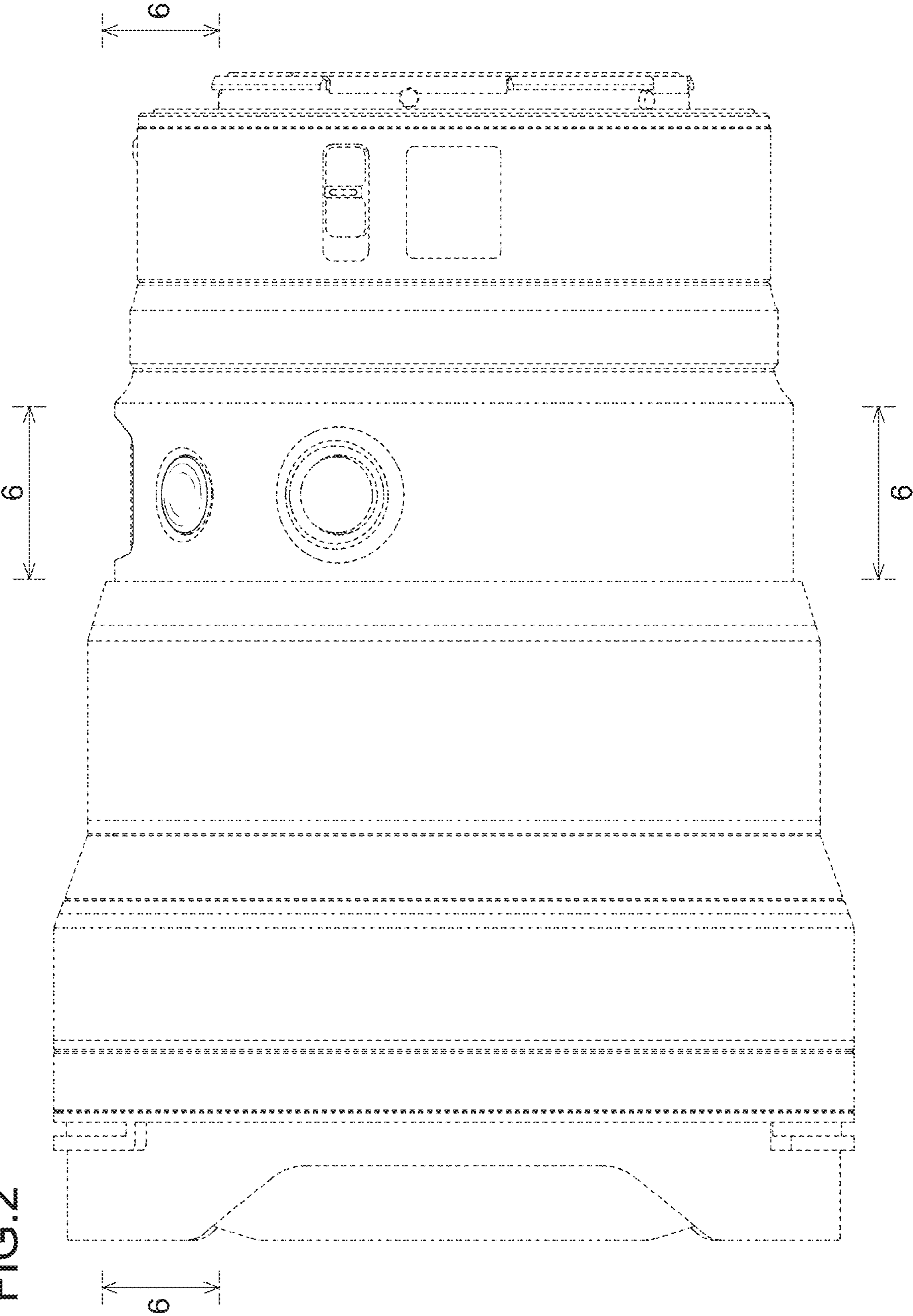
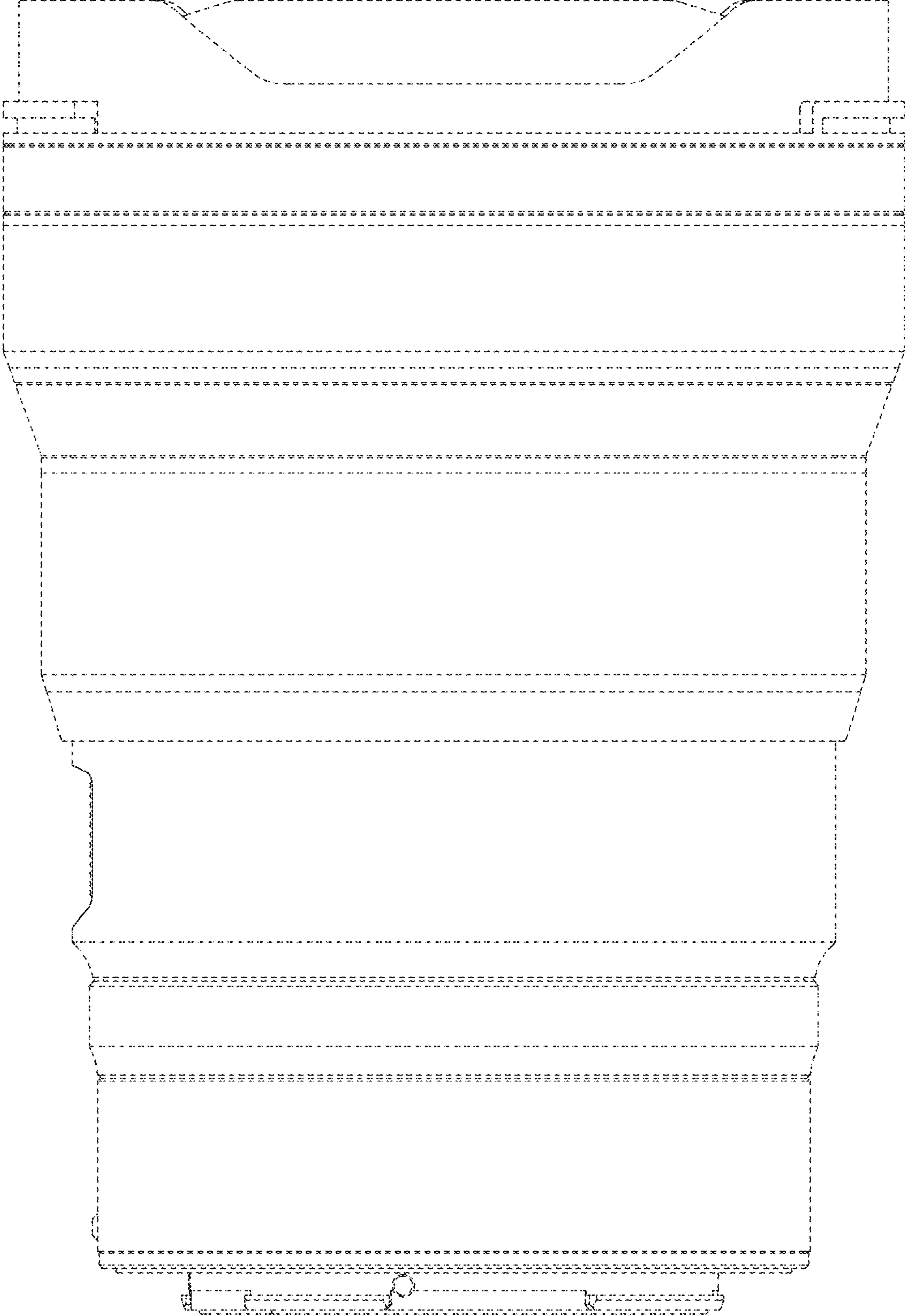


FIG.2

FIG. 3



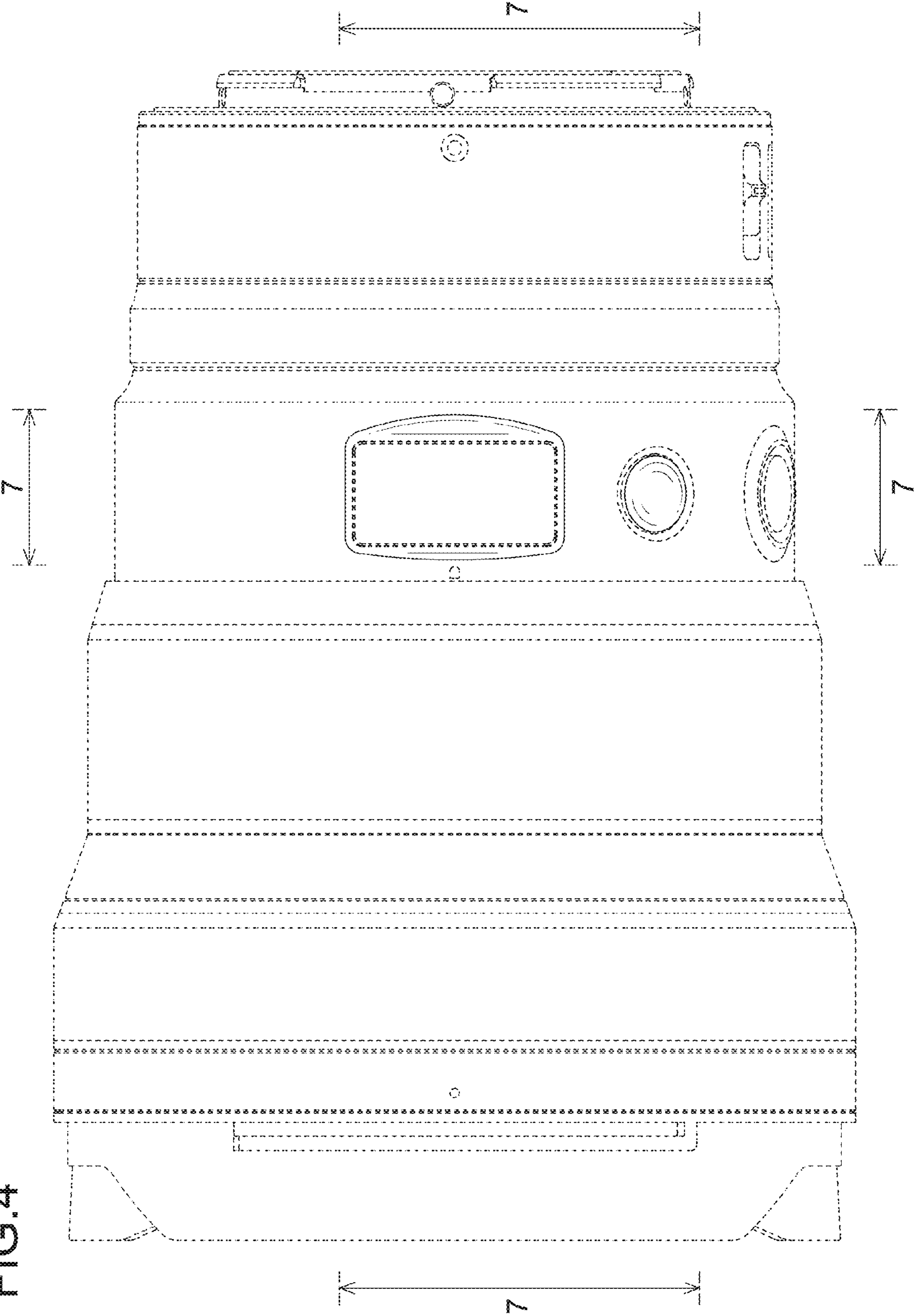


FIG.4

FIG.5

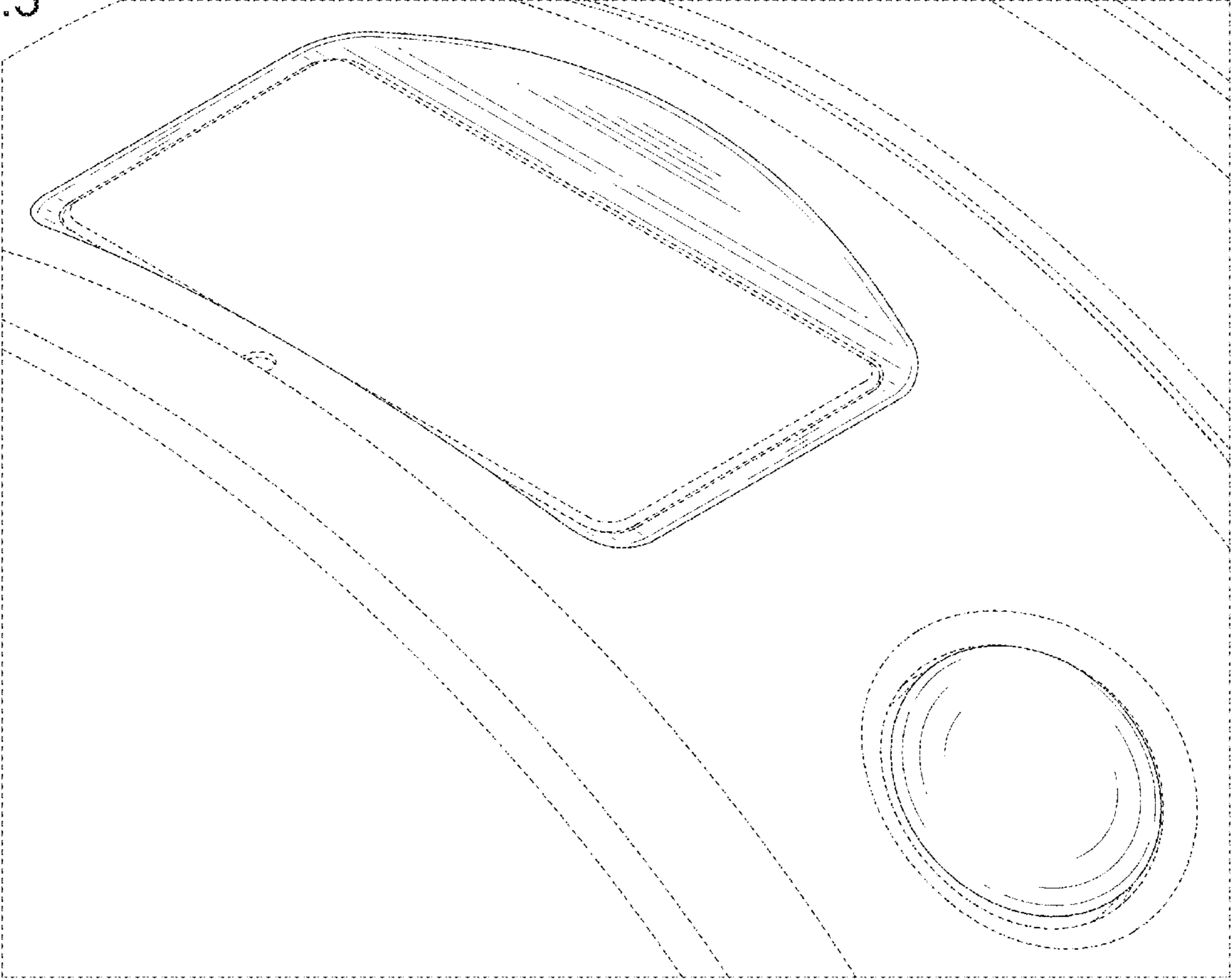


FIG.6

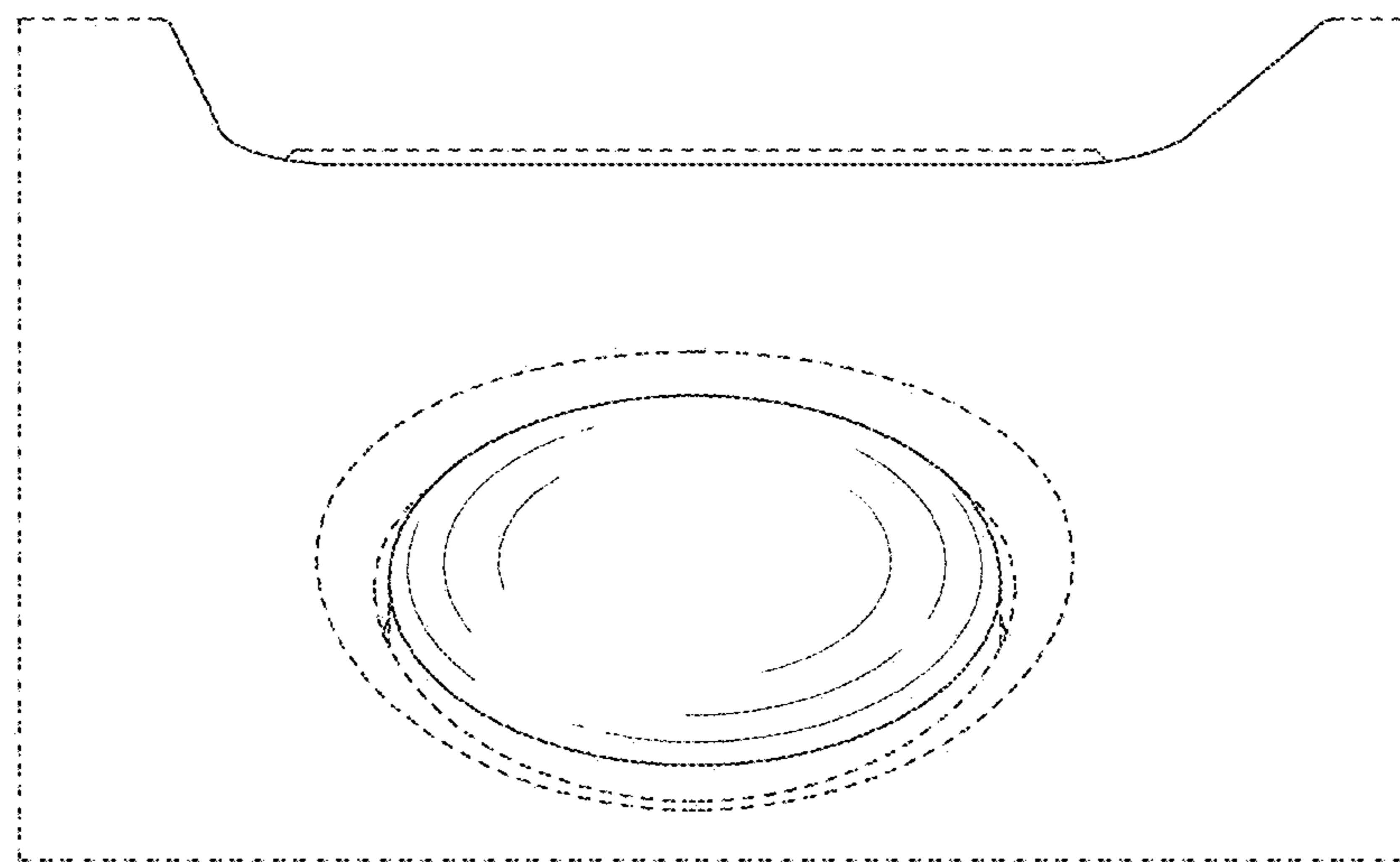
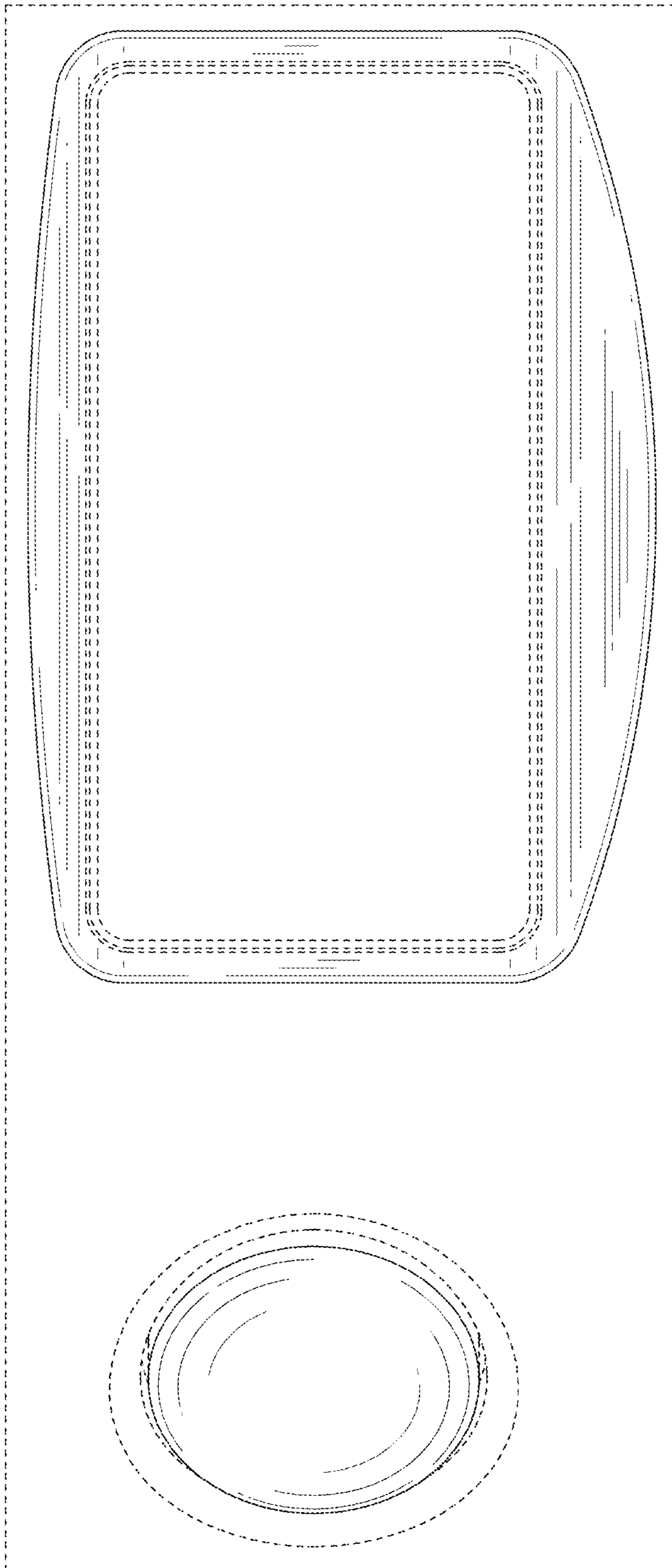


FIG. 7



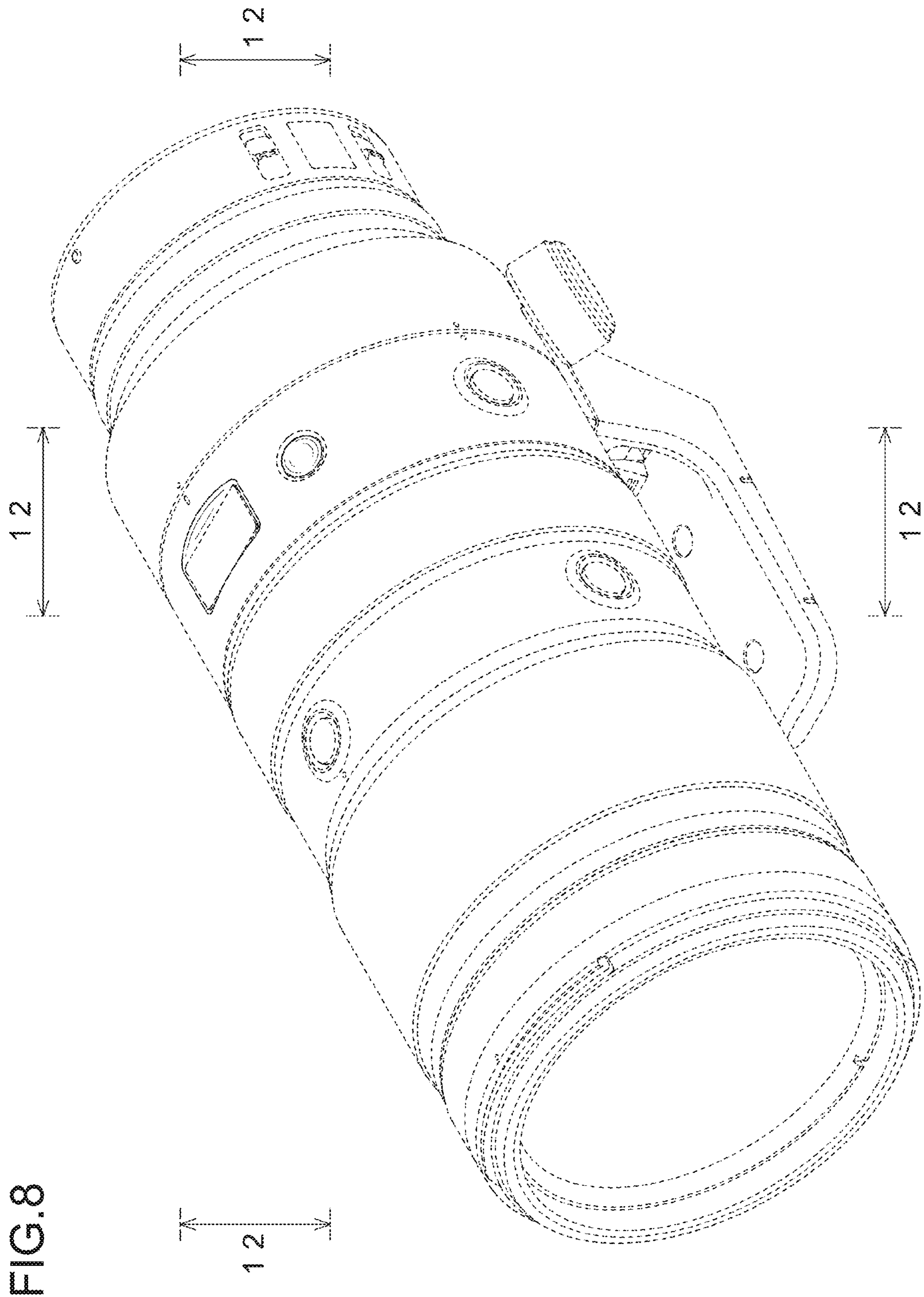
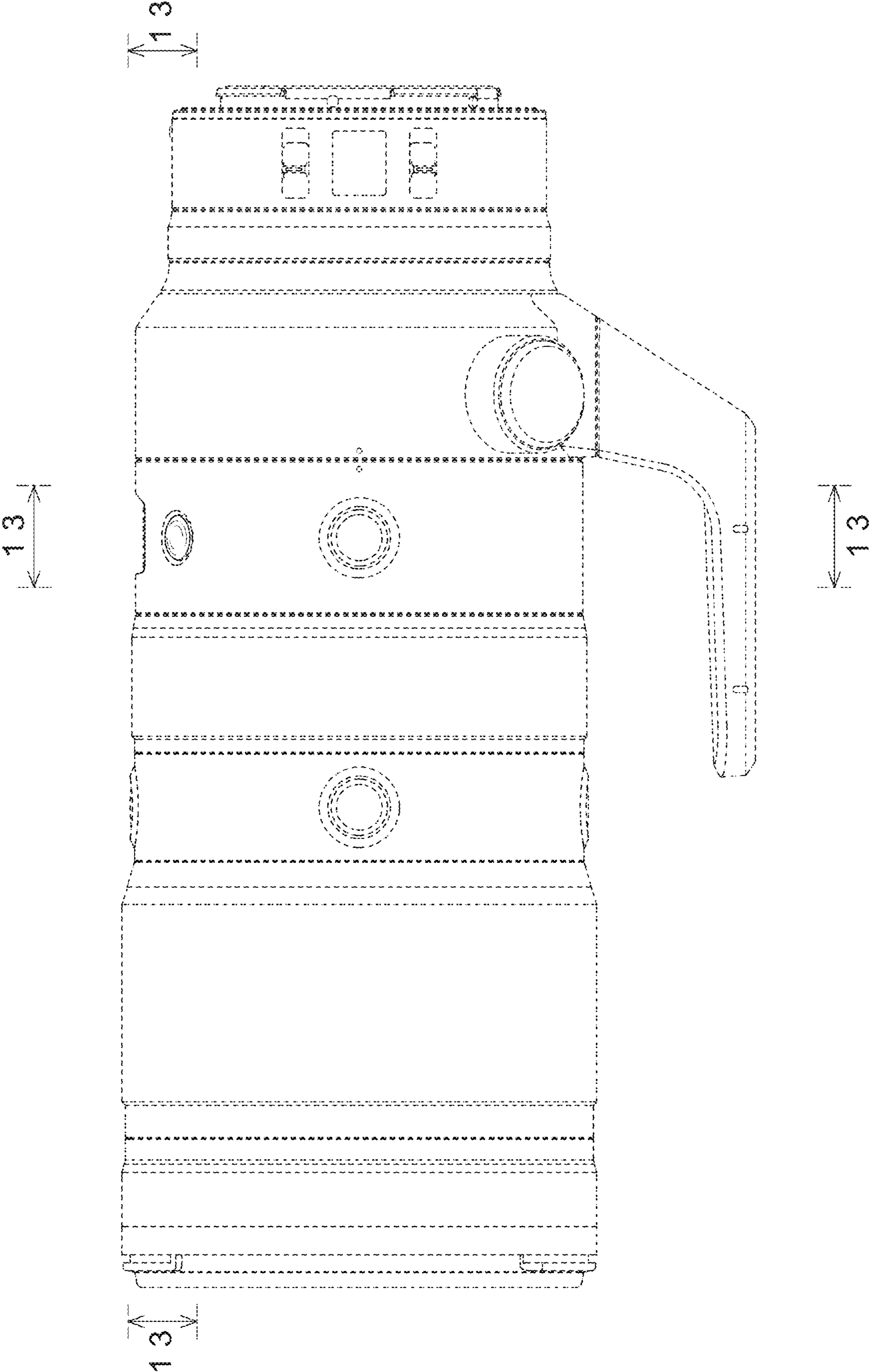


FIG. 9



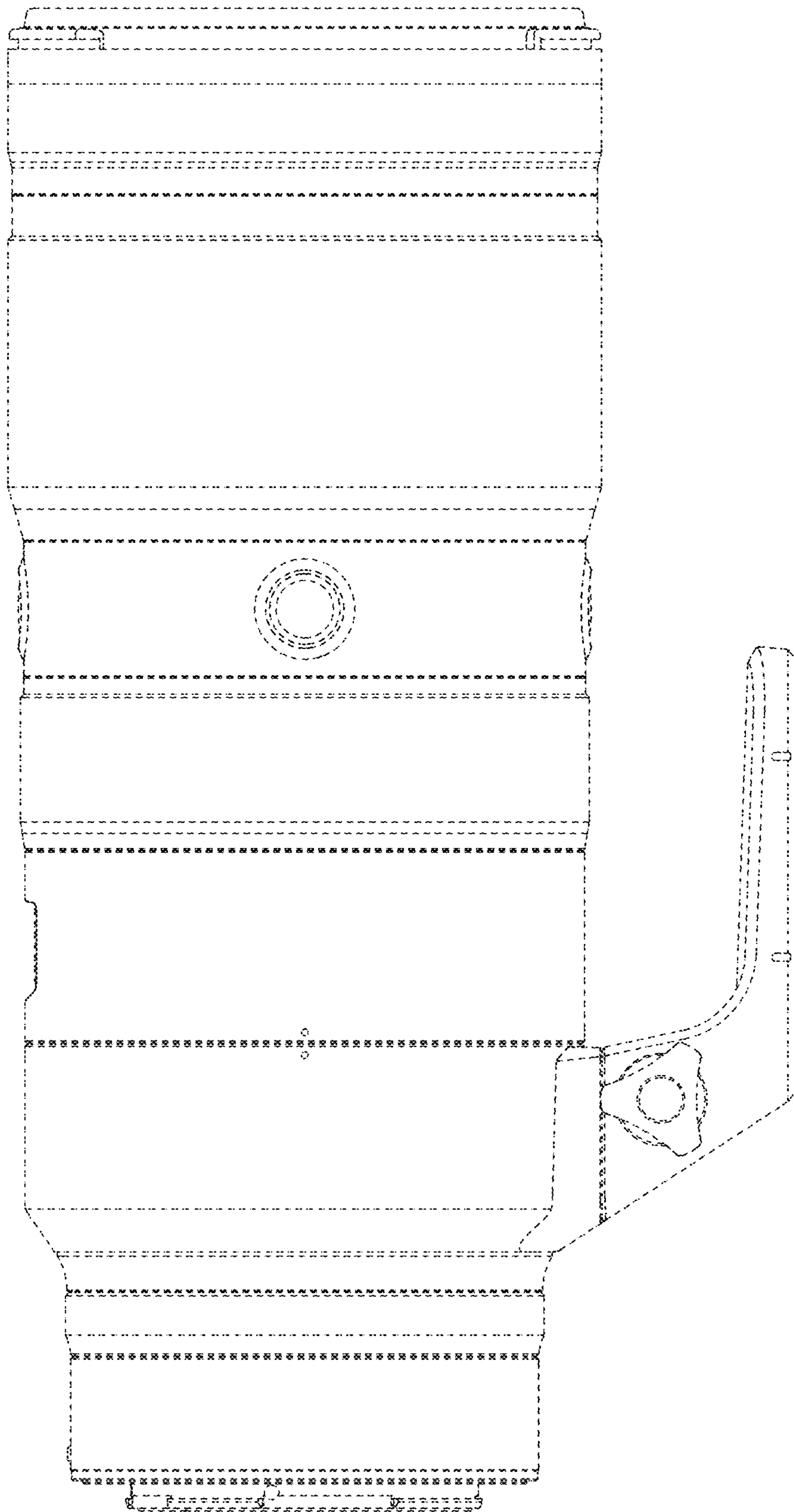


FIG.10

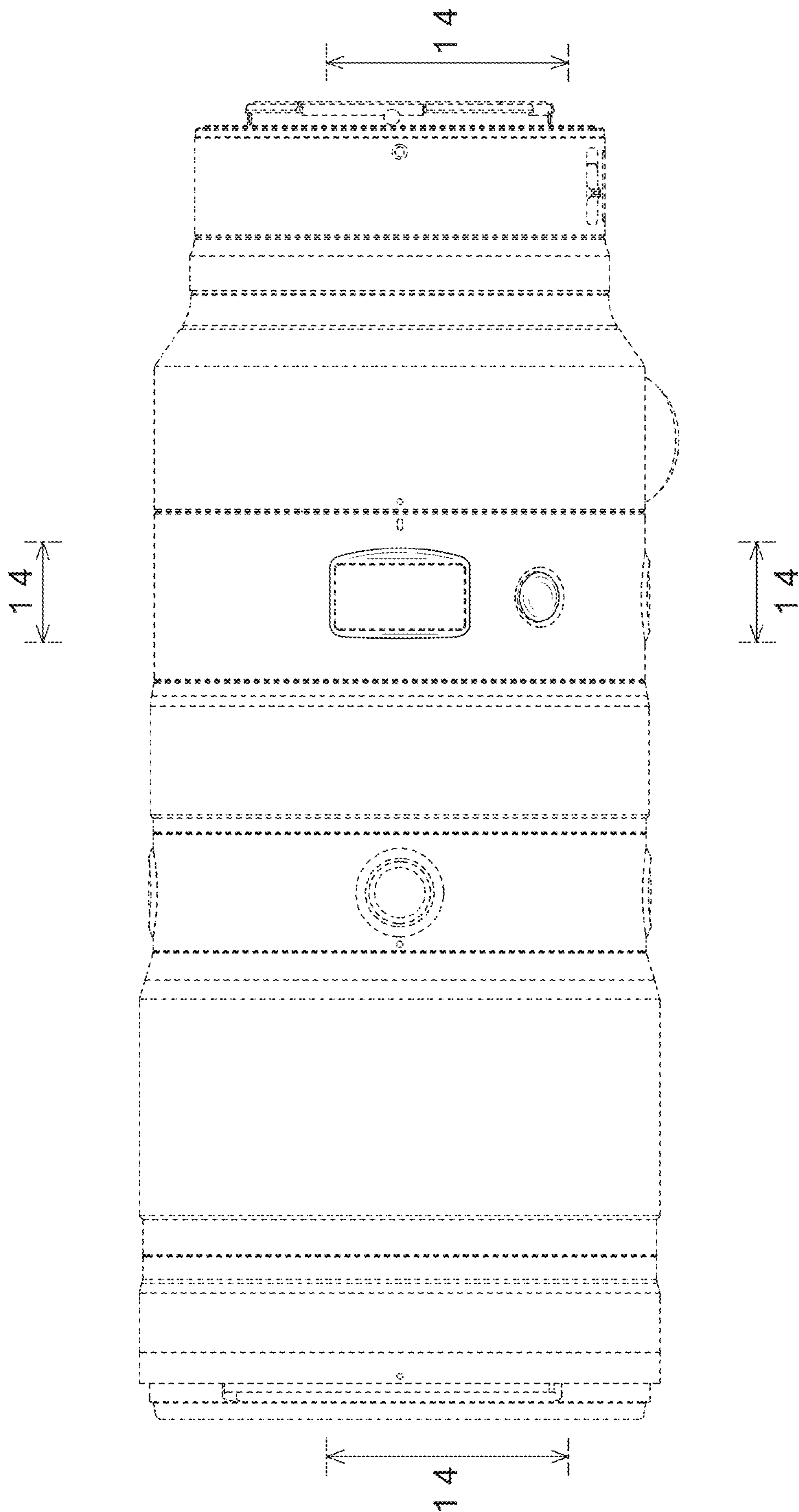


FIG. 11

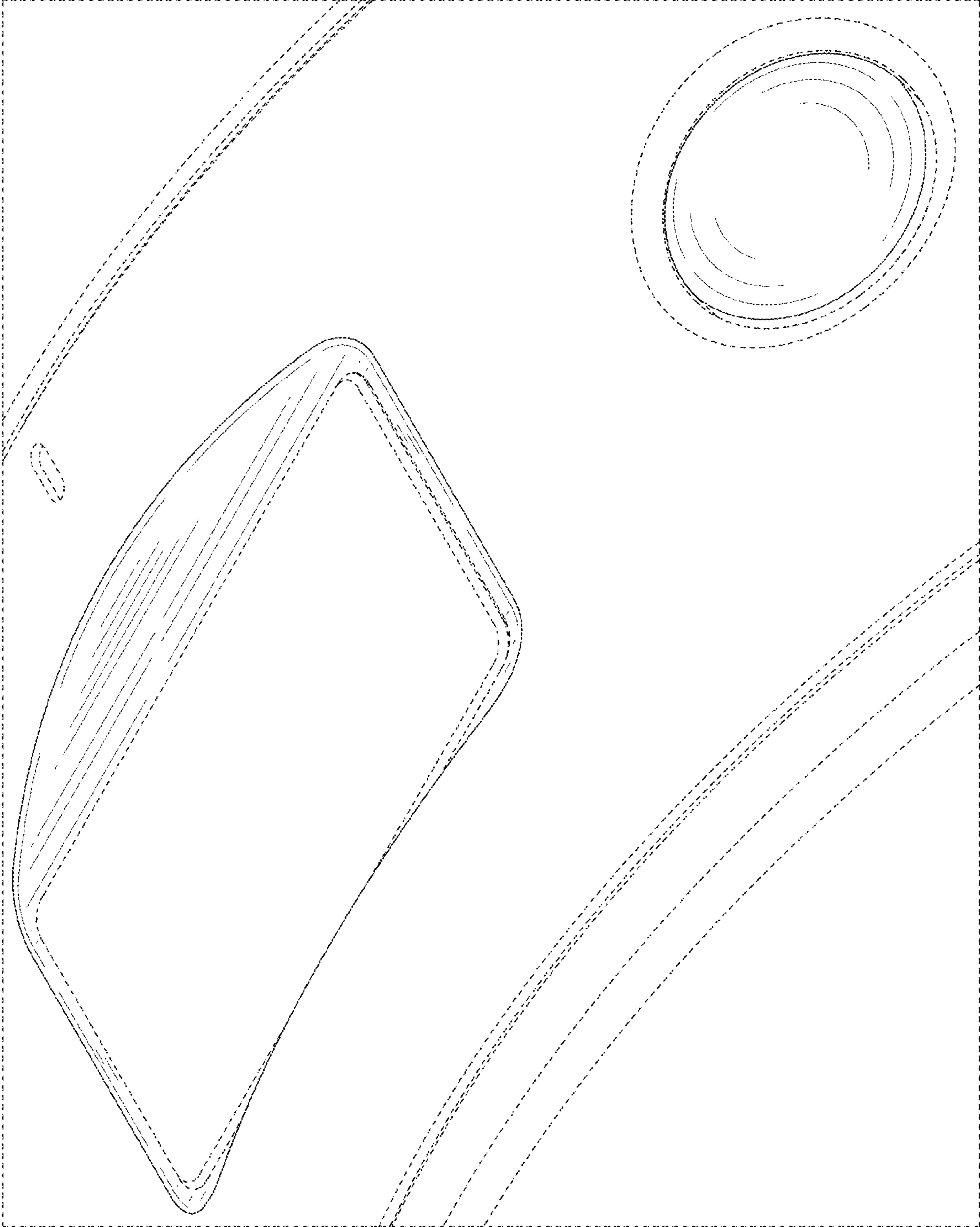


FIG.12

FIG. 13

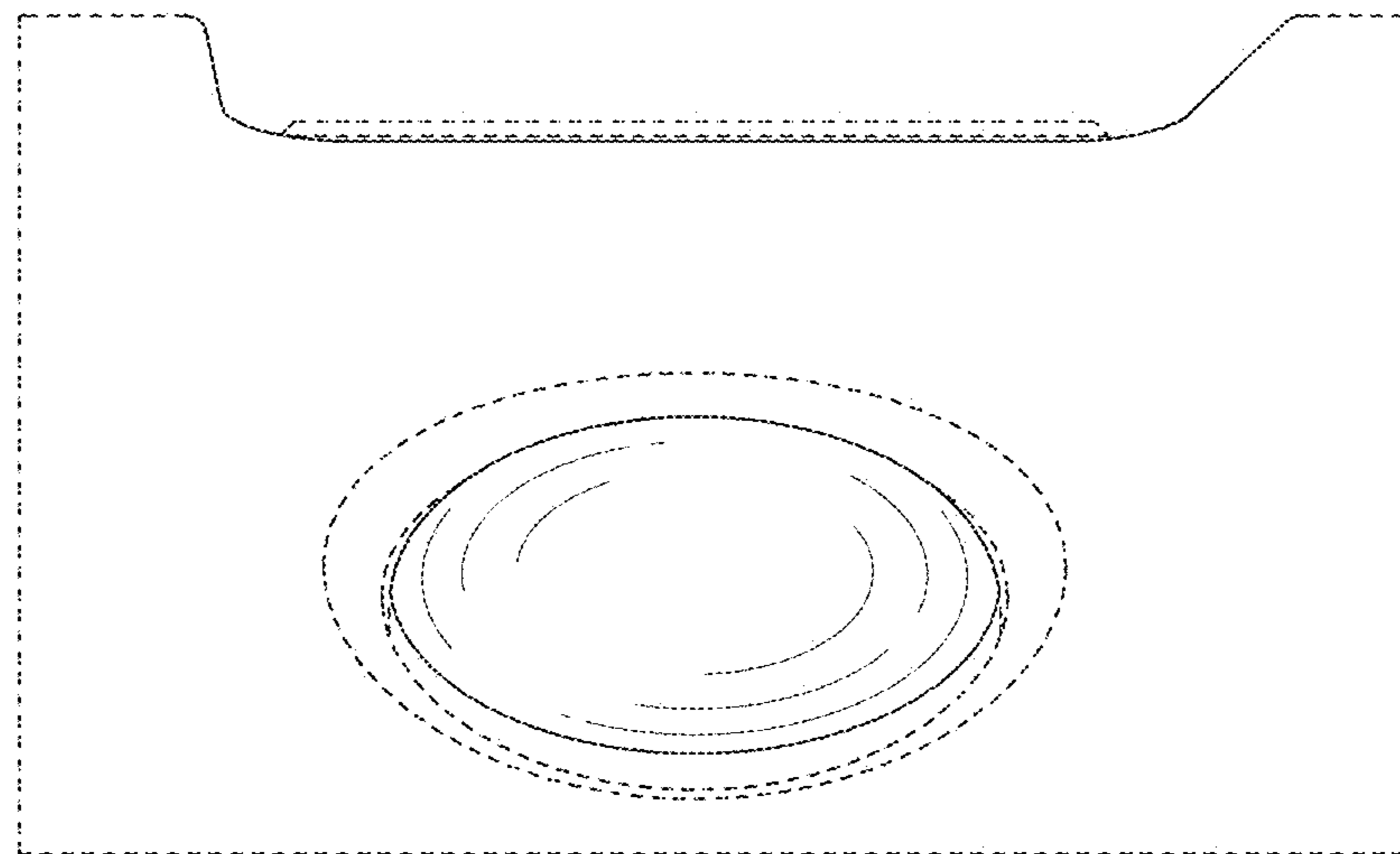


FIG. 14

