



US00D934328S

(12) **United States Design Patent**
McKleroy, Jr.

(10) **Patent No.:** **US D934,328 S**

(45) **Date of Patent:** **** Oct. 26, 2021**

(54) **BINOCULAR GRIP**
(71) Applicant: **Christopher Charles McKleroy, Jr.**,
San Francisco, CA (US)

(72) Inventor: **Christopher Charles McKleroy, Jr.**,
San Francisco, CA (US)

(73) Assignee: **NOCS Provisions LLC**, Alpine
Meadows, CA (US)

(**) Term: **15 Years**

(21) Appl. No.: **29/694,003**

(22) Filed: **Jun. 6, 2019**

(51) **LOC (13) Cl.** **16-06**

(52) **U.S. Cl.**
USPC **D16/133**

(58) **Field of Classification Search**
USPC D16/130, 133, 136, 237
CPC G02B 23/00; G02B 23/18
See application file for complete search history.

(56) **References Cited**

U.S. PATENT DOCUMENTS

D148,130 S	*	12/1947	Carbonara	D16/133
D242,243 S	*	11/1976	Takahashi et al.	D16/133
D255,364 S	*	6/1980	Lange	D16/133
D292,412 S	*	10/1987	Janke	D16/133
D308,388 S	*	6/1990	Addy	D16/133
D312,088 S	*	11/1990	Rosenfield	D16/133

D387,077 S	*	12/1997	Lee	D16/133
D494,609 S	*	8/2004	Nishijima	D16/133
D505,965 S	*	6/2005	Nishijima	D16/133
D521,037 S	*	5/2006	Swift	D16/133
D672,381 S	*	12/2012	Wunnicke	D16/133

* cited by examiner

Primary Examiner — Holly E Thurman

(74) *Attorney, Agent, or Firm* — Brian Beverly; Beeson
Skinner Beverly, LLP

(57) **CLAIM**

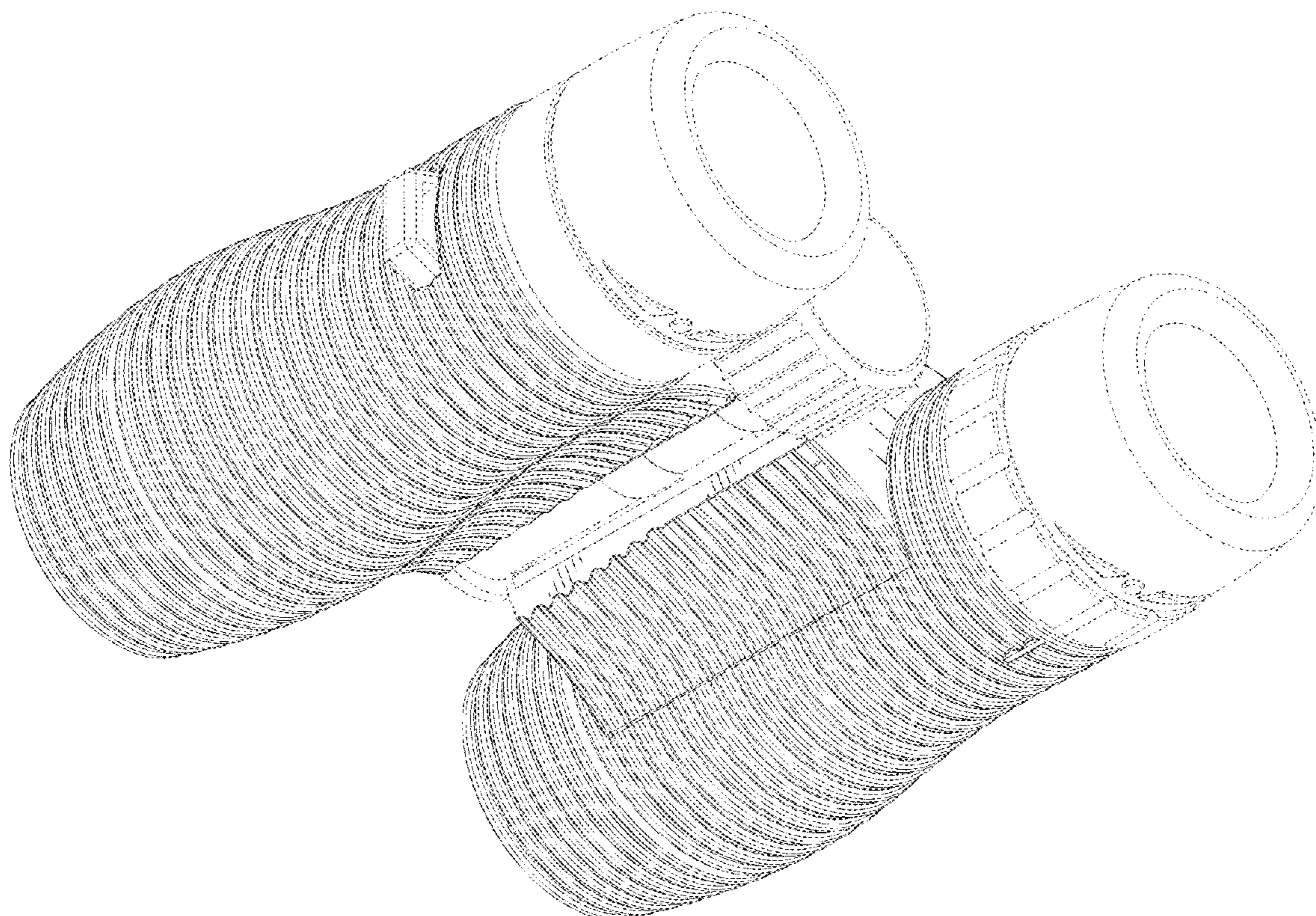
The ornamental design for a binocular grip, as shown and described.

DESCRIPTION

FIG. 1 is a top-front perspective view of a binocular grip showing my new design;
FIG. 2 is a bottom-front perspective view thereof;
FIG. 3 is a top-rear perspective view thereof;
FIG. 4 is a bottom-rear perspective view thereof;
FIG. 5 is a front elevational view thereof;
FIG. 6 is a rear elevational view thereof;
FIG. 7 is a left elevational view thereof;
FIG. 8 is a right elevational view thereof;
FIG. 9 is a top plan view thereof; and,
FIG. 10 is a bottom plan view thereof.

The broken lines immediately adjacent to the shaded area represent unclaimed boundaries of the design. The unshaded regions within or adjacent to the shaded area form no part of the claimed design. The remaining broken lines show unclaimed portions of the binocular grip that form no part of the claimed design.

1 Claim, 10 Drawing Sheets



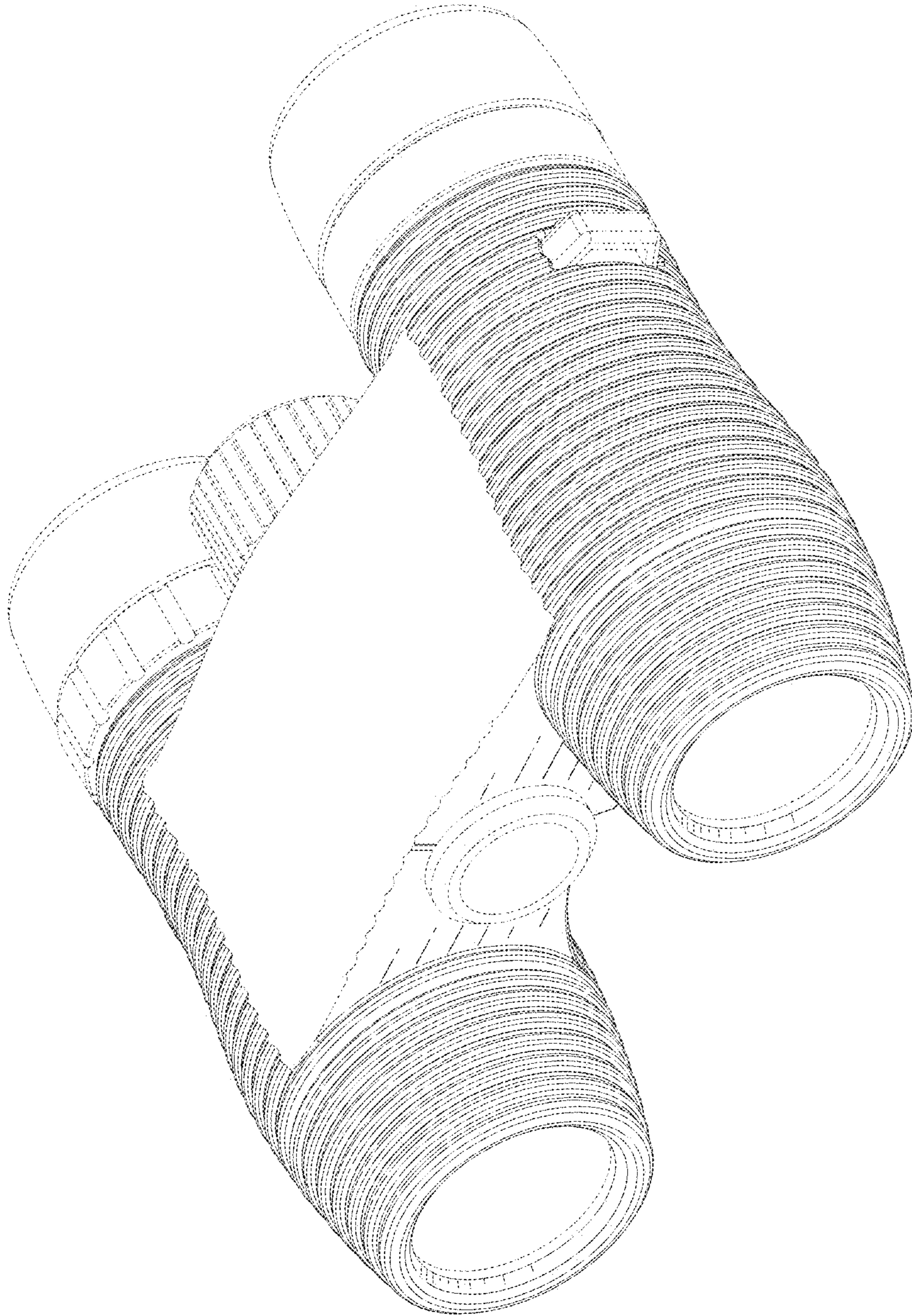


FIG. 1

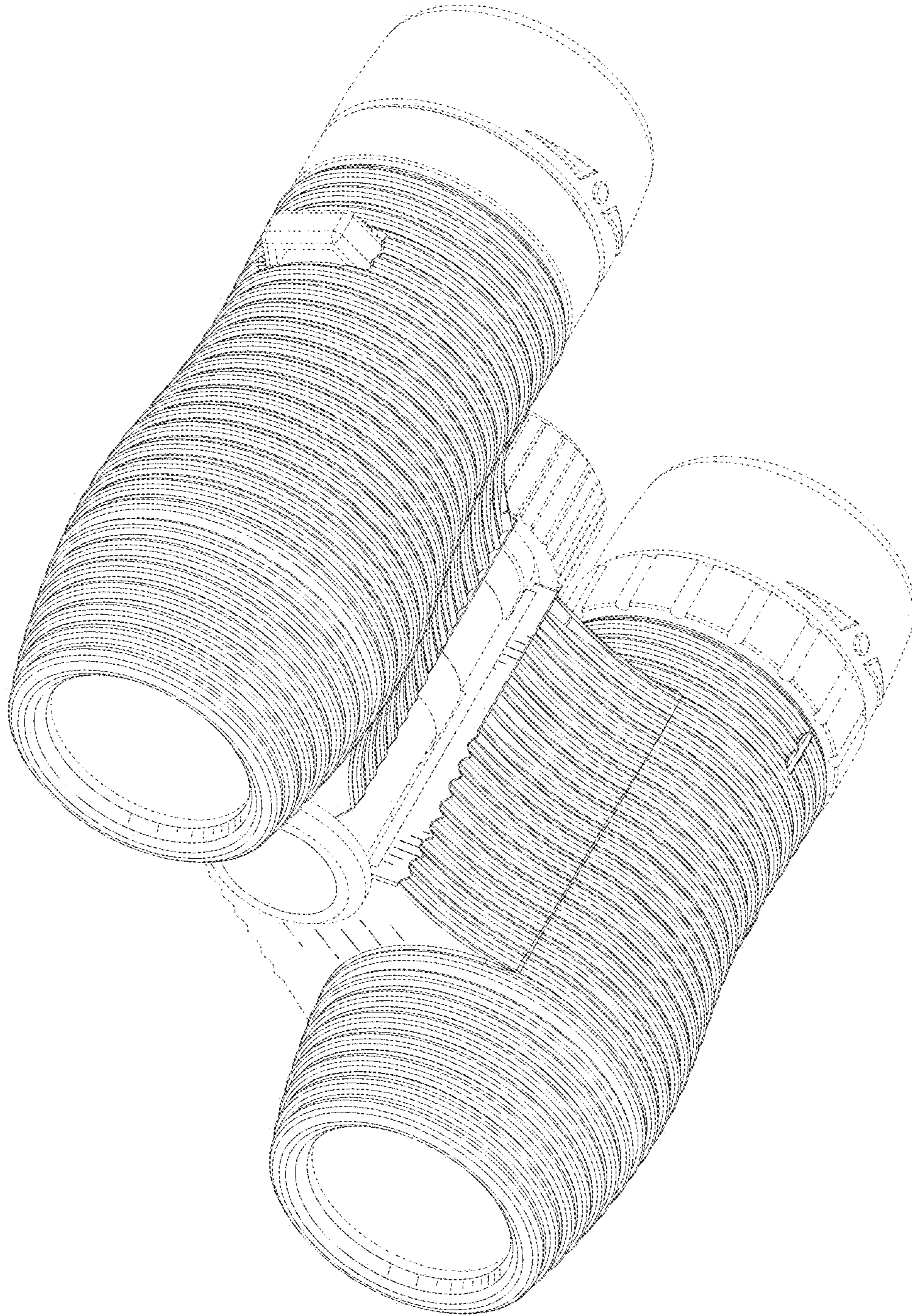


FIG. 2

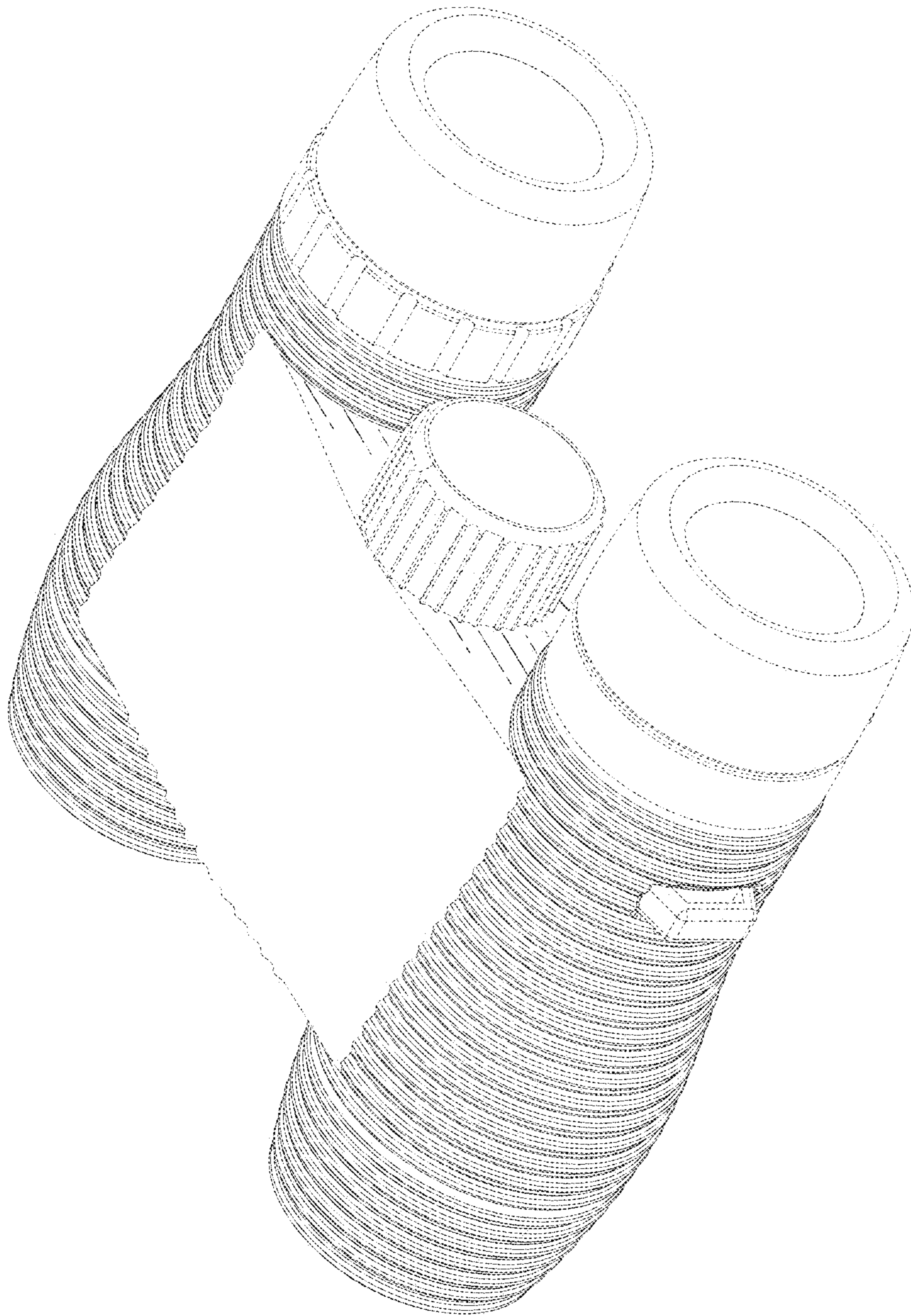


FIG. 3

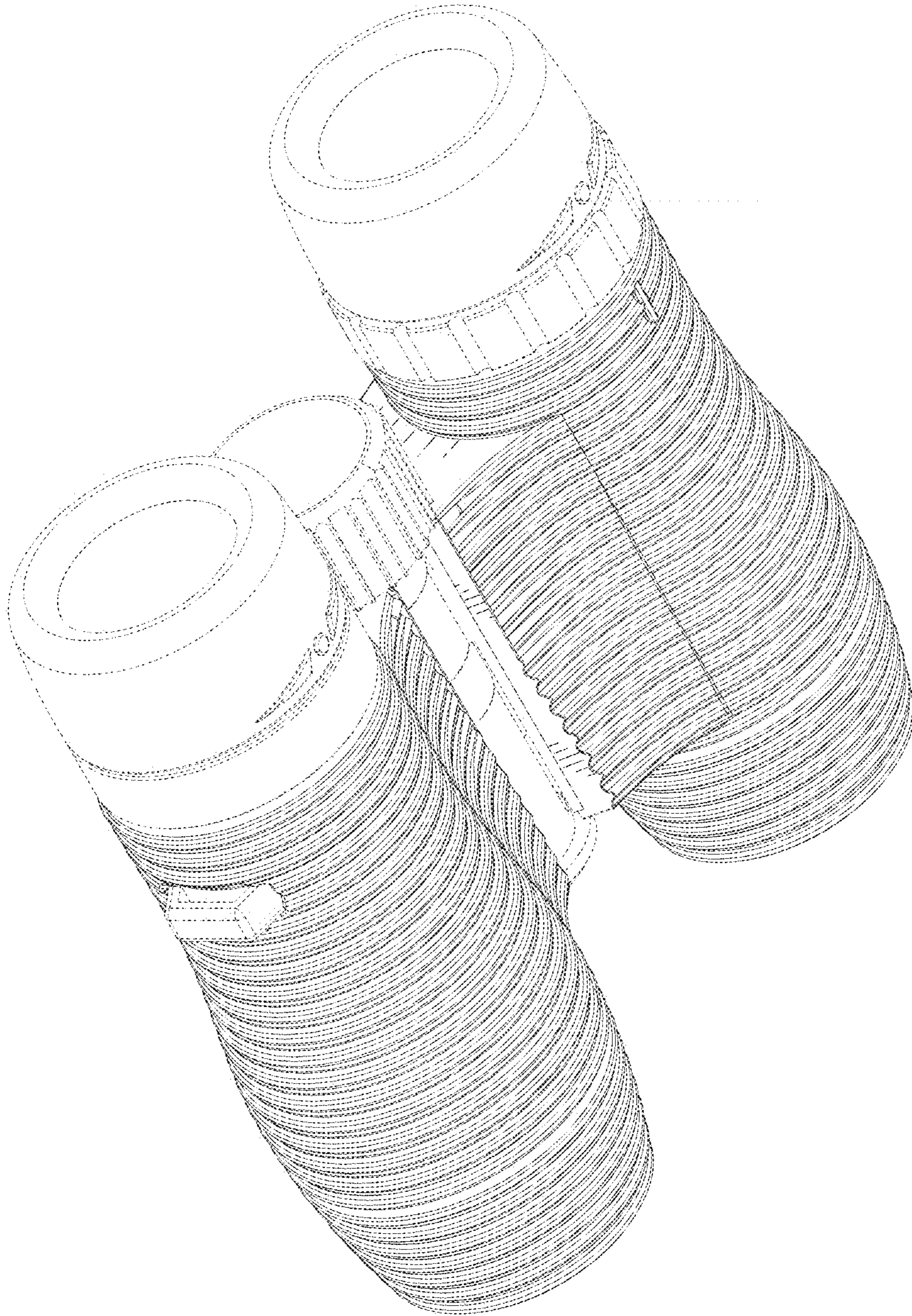


FIG. 4

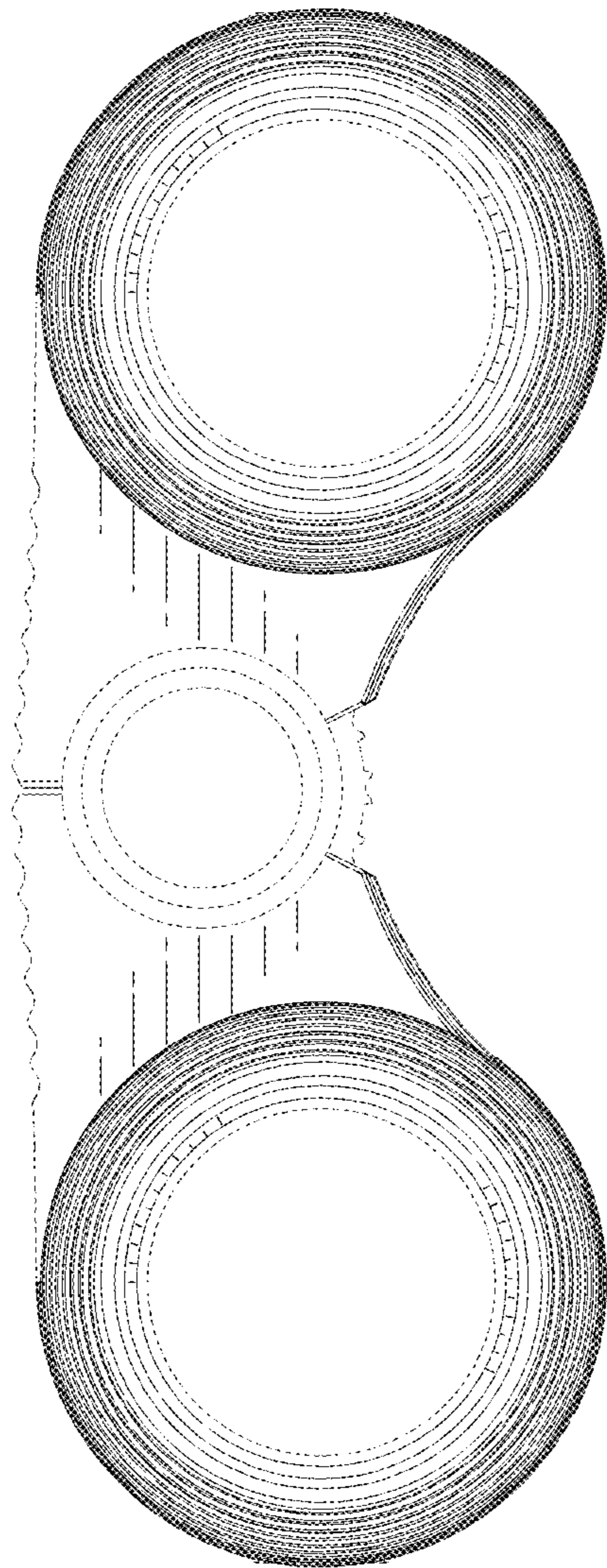


FIG. 5

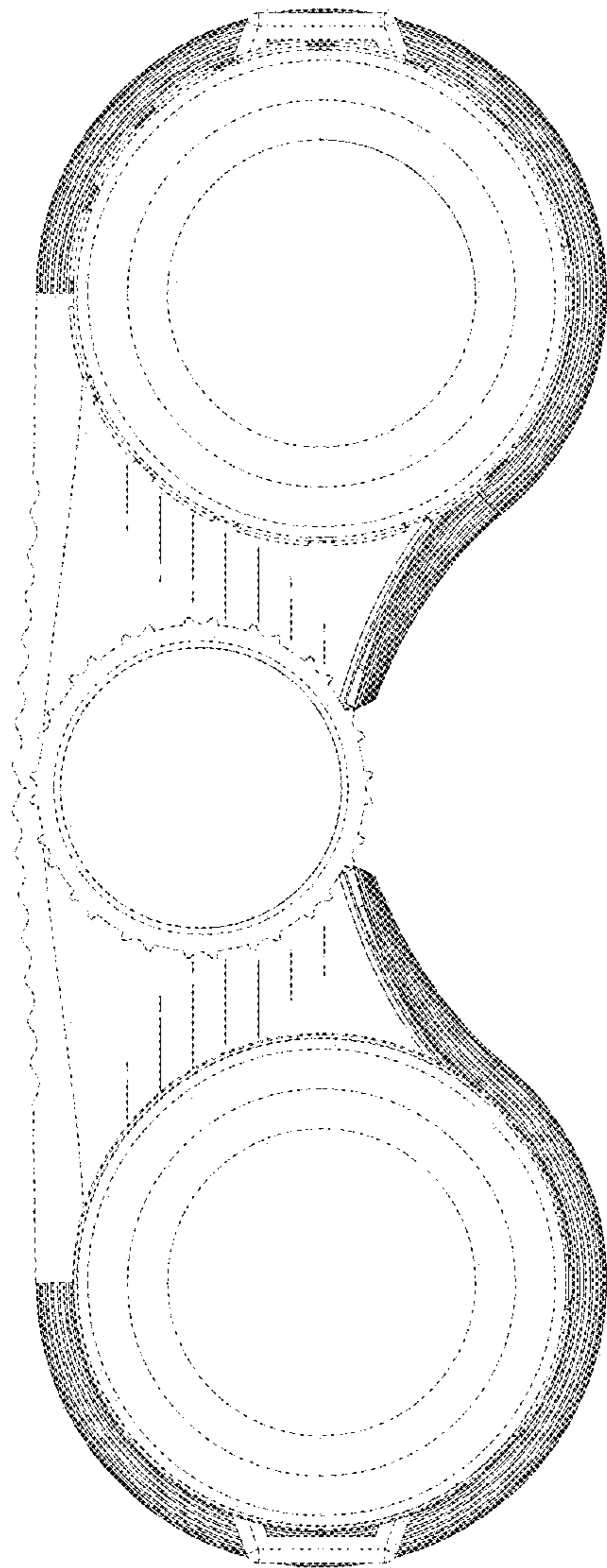


FIG. 6

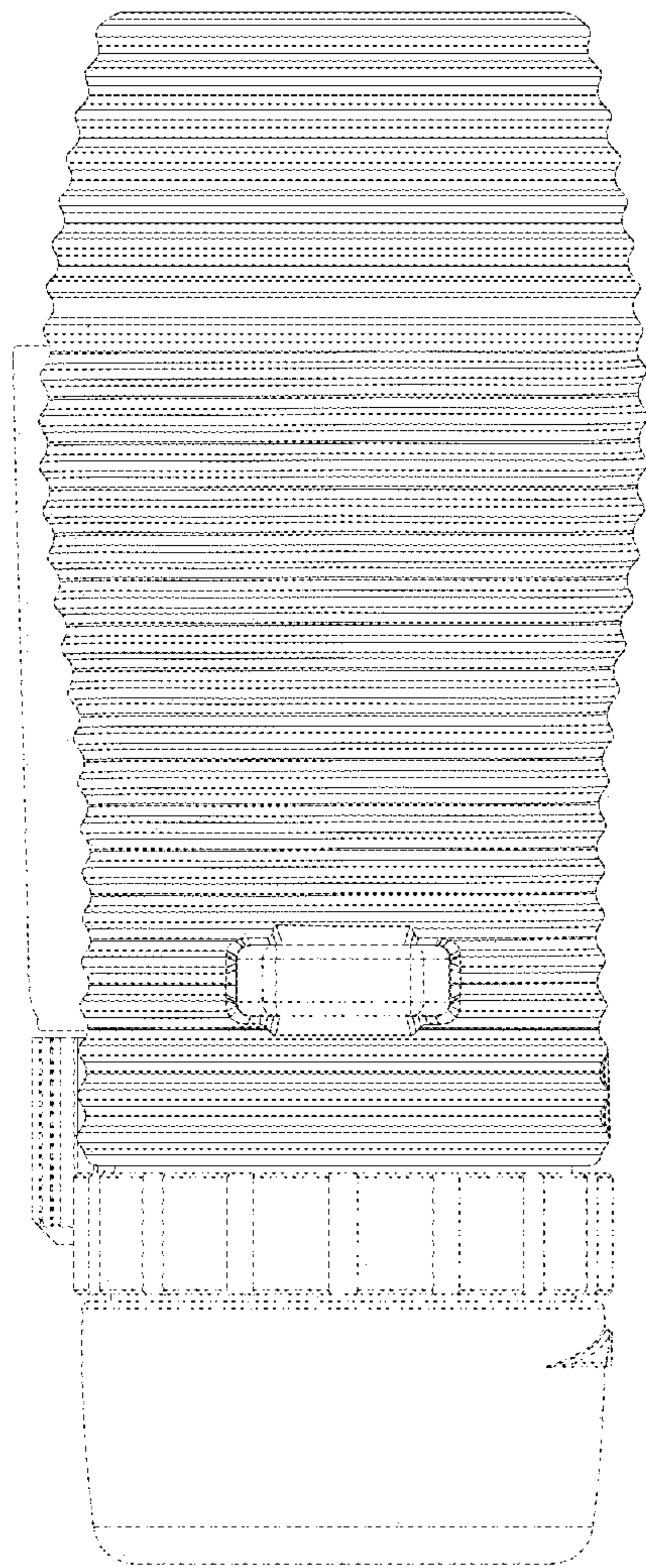


FIG. 7

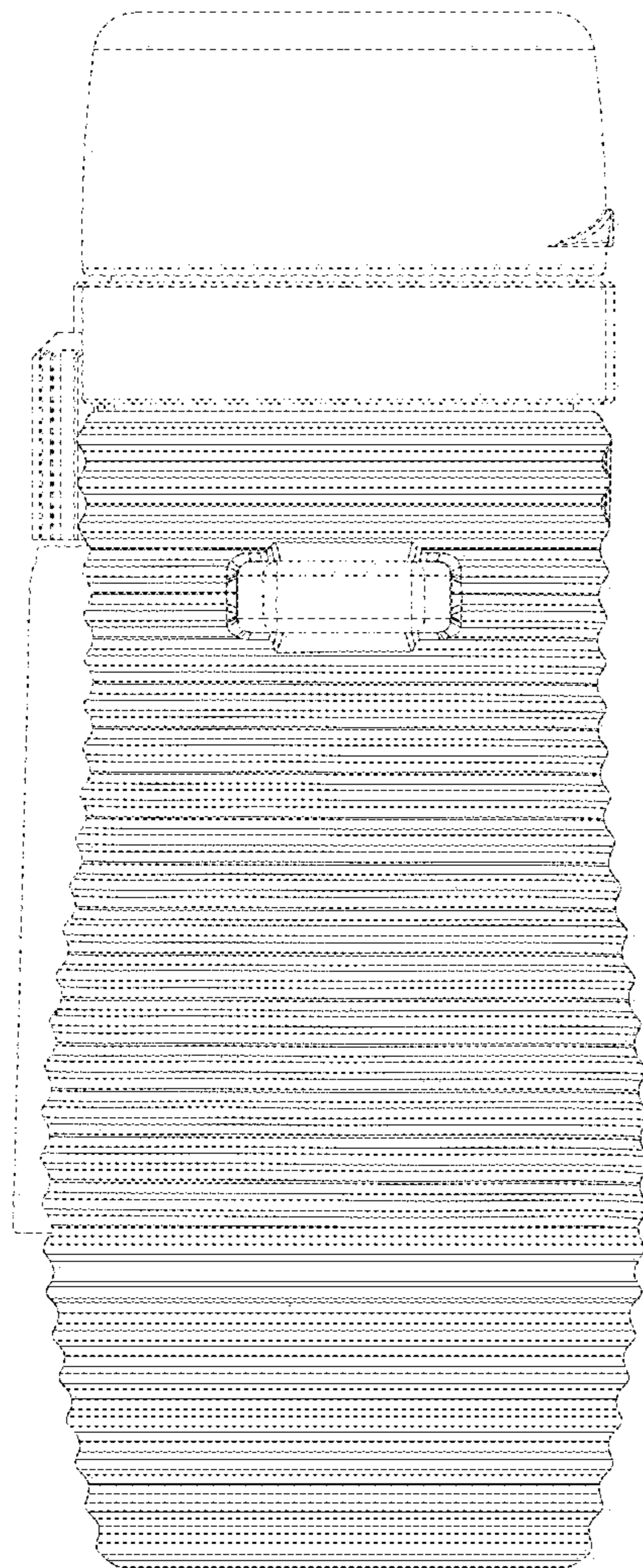


FIG. 8

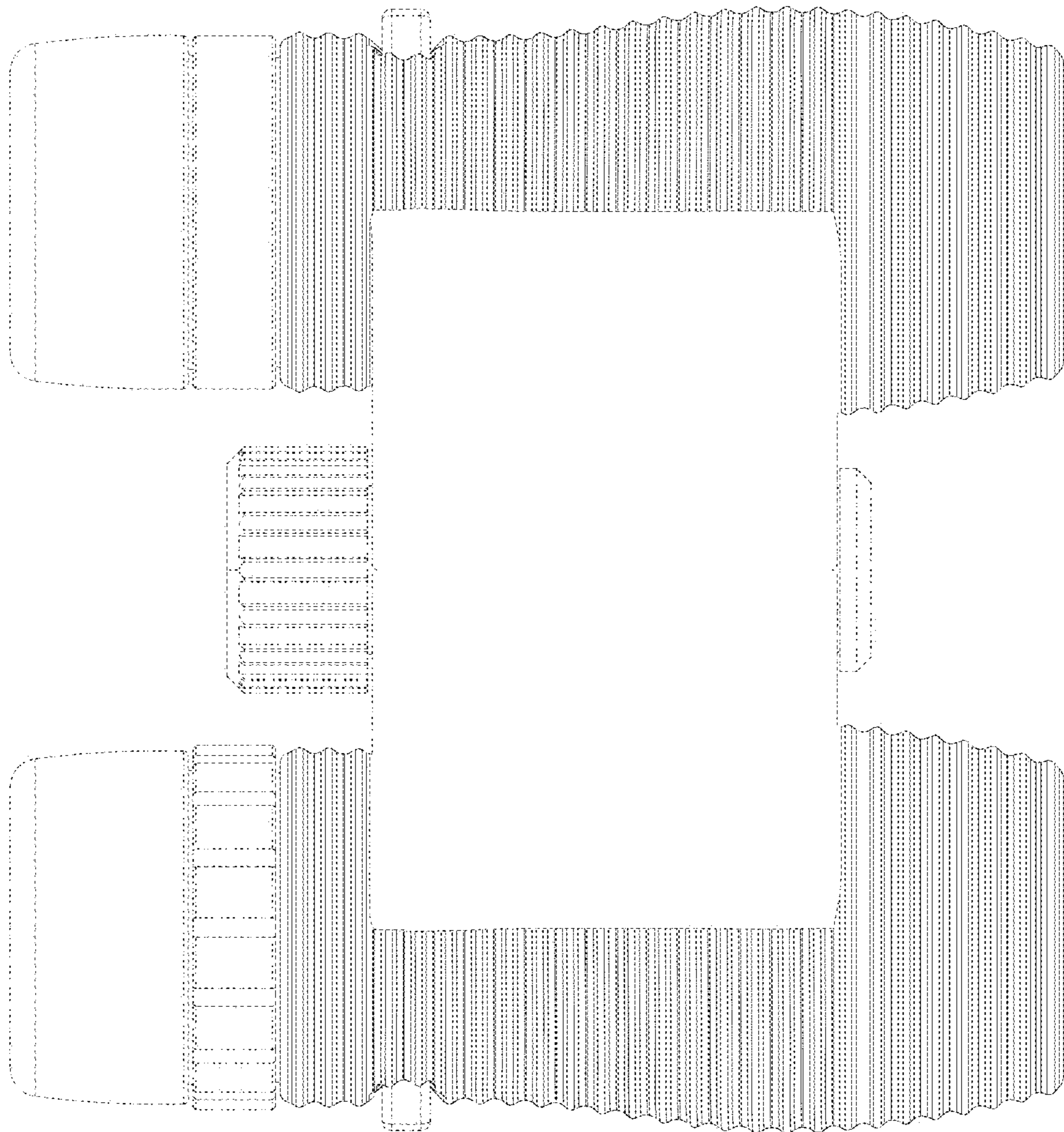


FIG. 9

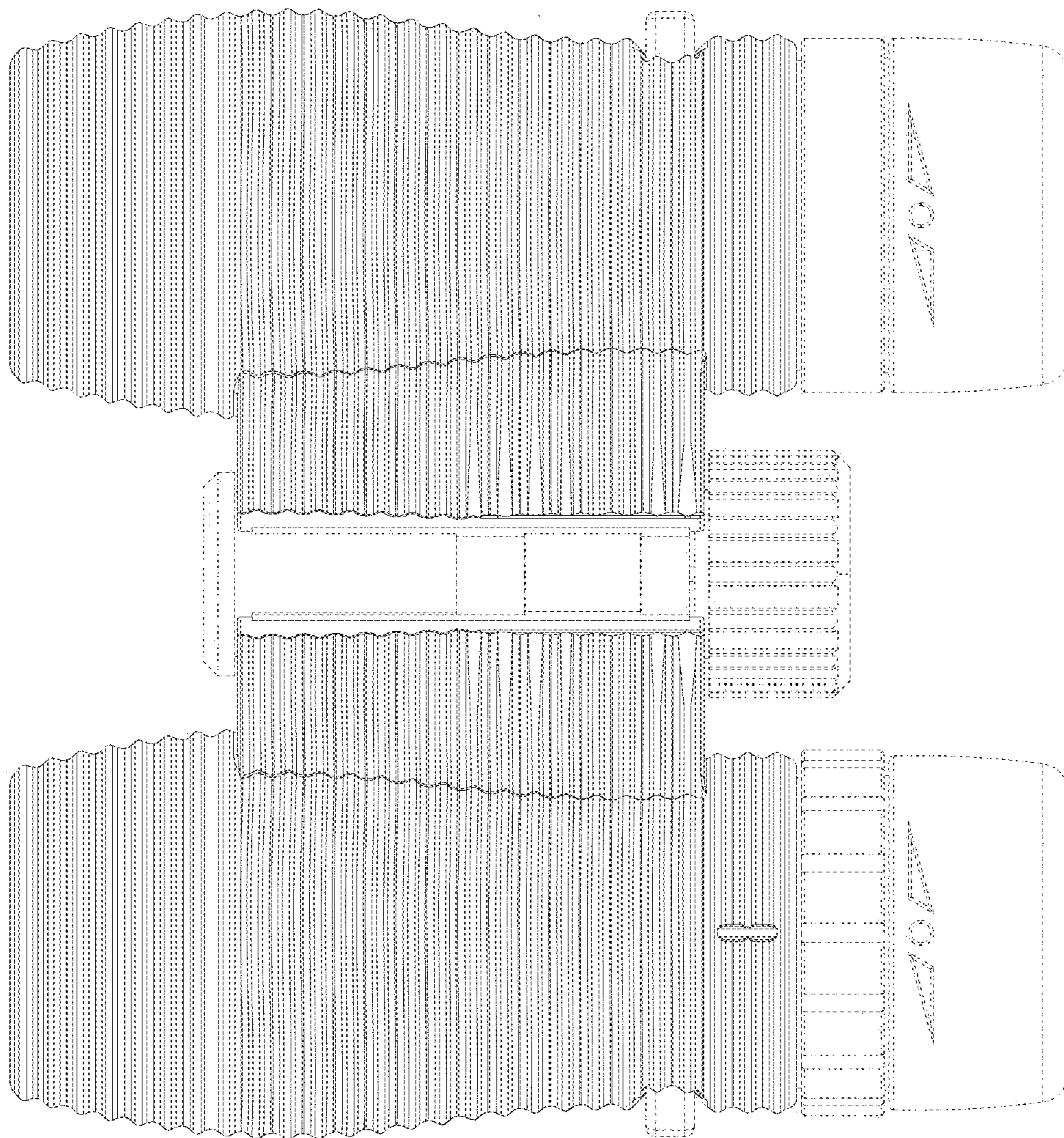


FIG. 10