



US00D934324S

(12) **United States Design Patent** (10) **Patent No.:** **US D934,324 S**
Hatteland et al. (45) **Date of Patent:** **** Oct. 26, 2021**

(54) **AUTONOMOUS TRANSPORT ROBOT**

(71) Applicant: **Autostore Technology AS**, Nedre Vats (NO)

(72) Inventors: **Magne Hatteland**, Stavanger (NO); **Trond Austrheim**, Etne (NO)

(73) Assignee: **Autostore Technology AS**

(**) Term: **15 Years**

(21) Appl. No.: **35/508,242**

(22) Filed: **Jun. 17, 2019**

(80) **Hague Agreement Data**
 Int. Filing Date: **Jun. 17, 2019**
 Int. Reg. No.: **DM/204944**
 Int. Reg. Date: **Jun. 17, 2019**
 Int. Reg. Pub. Date: **Dec. 27, 2019**

(51) **LOC (13) Cl.** **15-99**

(52) **U.S. Cl.**
 USPC **D15/199**
 CPC **A63H 11/00** (2013.01)

(58) **Field of Classification Search**
 USPC D7/300, 305-311, 397-400; D10/22, 23, D10/25, 28; D14/159, 176, 209.1, 216, D14/221, 239, 265, 496, 497, 508, 509, D14/125; D15/10-13, 22, 122, 199
 CPC A63H 11/00; A63H 2200/00; B25J 9/00; B25J 9/04; B25J 918/00; G06N 3/00; G06N 3/004; G06N 3/008
 See application file for complete search history.

(56) **References Cited**
 U.S. PATENT DOCUMENTS

4,717,364 A * 1/1988 Furukawa A63H 11/00 367/198
 D298,766 S * 11/1988 Tanno D21/578
 D456,080 S * 4/2002 Karlsson D24/185

D549,756 S * 8/2007 Park D15/199
 D563,443 S * 3/2008 Ahn D15/199
 D566,737 S * 4/2008 Matsuda D15/199
 D572,739 S * 7/2008 Jennings D15/199
 D579,035 S * 10/2008 Kim B25J 11/008 D15/199
 D608,804 S * 1/2010 Labak D15/199
 D631,074 S * 1/2011 Peters D15/144
 D635,603 S * 4/2011 Paz Rodriguez D15/199
 D644,256 S * 8/2011 Kitano D15/199
 D663,333 S * 7/2012 Kitano D15/199
 D675,656 S * 2/2013 Sutherland D15/199
 8,494,675 B2 * 7/2013 Ichinose G05D 1/0272 700/245
 8,620,547 B2 * 12/2013 Monsere B60T 7/042 701/70
 D701,256 S * 3/2014 Song D15/199
 D720,378 S * 12/2014 Dye D15/199
 8,935,006 B2 * 1/2015 Vu B25J 11/008 700/264
 D725,166 S * 3/2015 Paik D15/199
 D732,096 S * 6/2015 Jang D15/199
 D735,258 S * 7/2015 Jang D15/199
 D739,450 S * 9/2015 Jain D15/199
 D752,668 S * 3/2016 Pedersen D15/199
 9,291,698 B2 * 3/2016 Watanabe G01S 11/06
 D761,339 S * 7/2016 White, Jr. D15/199

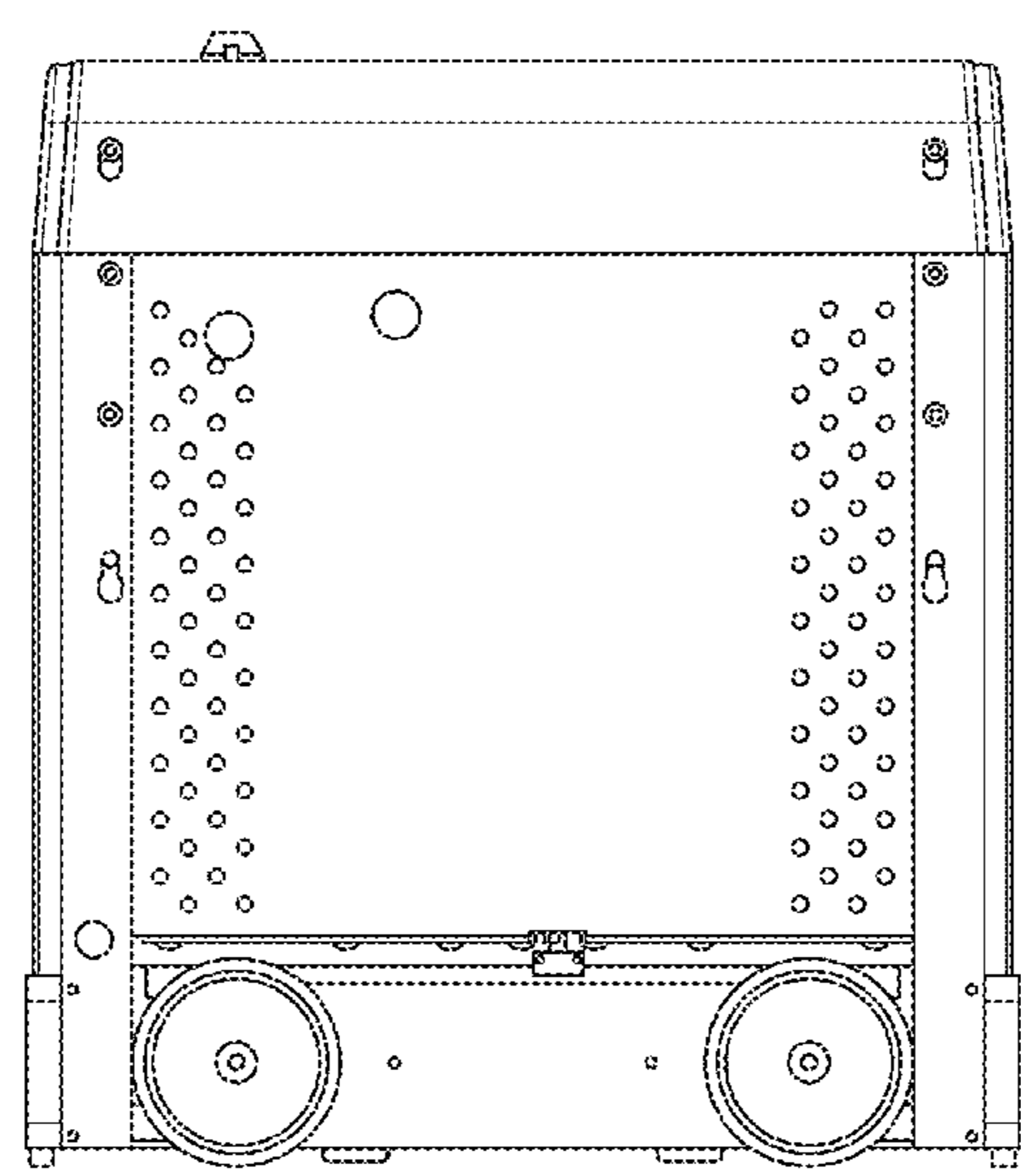
(Continued)

Primary Examiner — Richard E Chilcot
 (74) *Attorney, Agent, or Firm* — Fish & Richardson P.C.

(57) **CLAIM**
 The ornamental design for an autonomous transport robot, as shown and described.

DESCRIPTION
 Figure 1.1 is a front view of an autonomous transport robot; Figure 1.2 is a left side view thereof; Figure 1.3 is a rear view thereof; Figure 1.4 if a right side view thereof; and Figure 1.5 is a top view thereof.
 The bottom view is flat and includes no surface ornamentation, and thus the bottom view has been omitted.

1 Claim, 3 Drawing Sheets



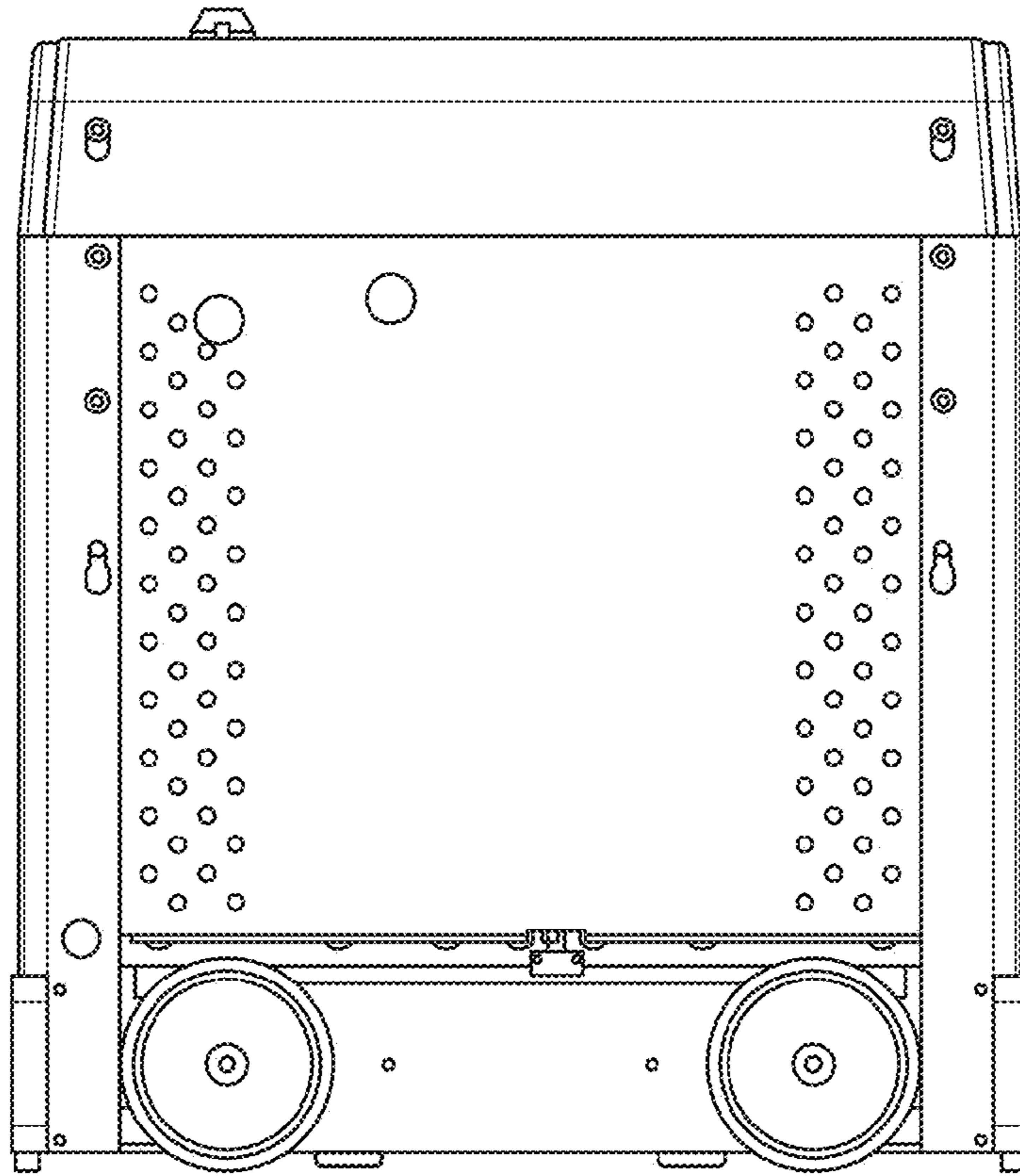
(56)

References Cited

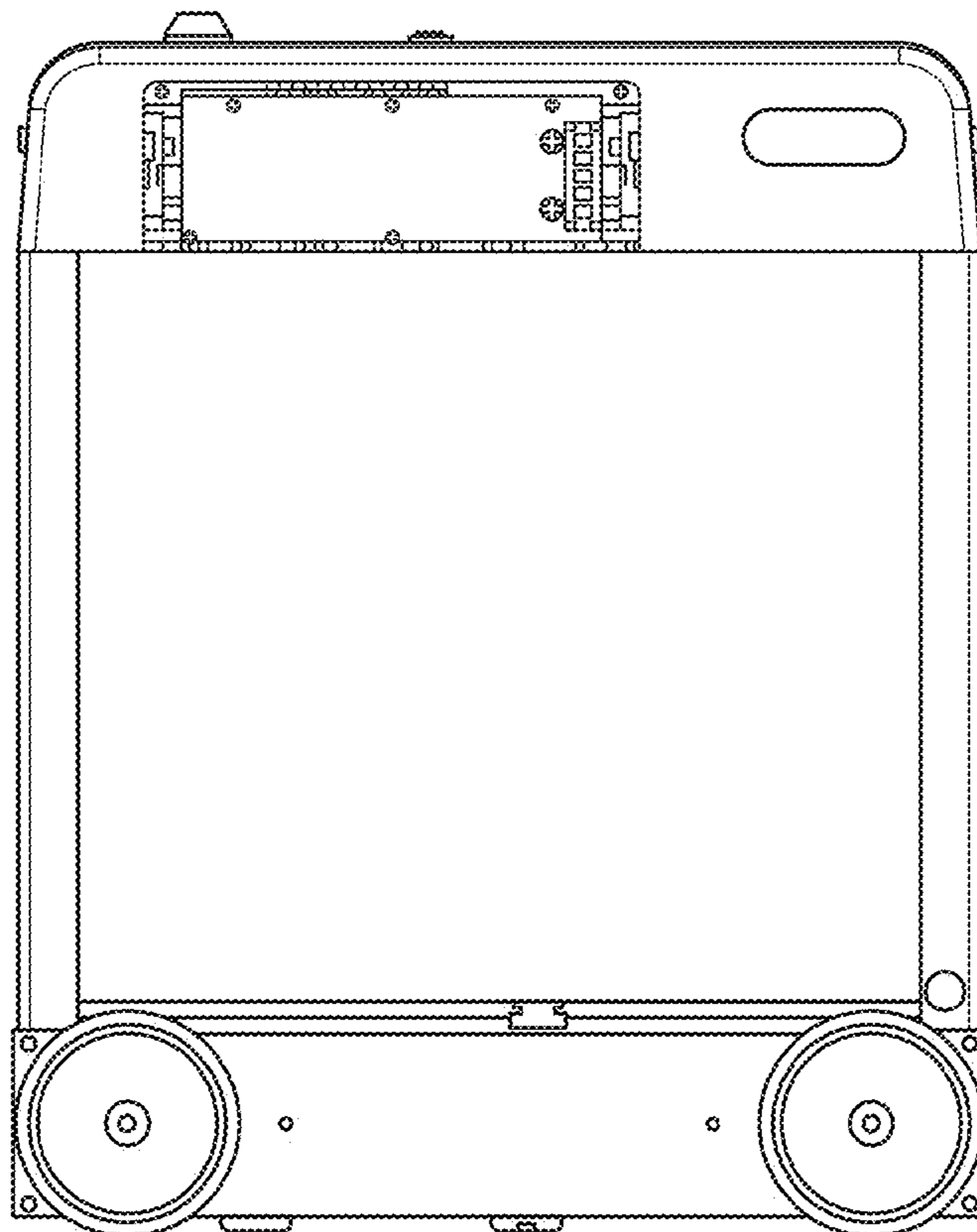
U.S. PATENT DOCUMENTS

D761,894 S * 7/2016 Ho D15/199
D769,953 S * 10/2016 Bauman D15/199
9,469,031 B2 * 10/2016 Saito B25J 9/1676
D781,945 S * 3/2017 Uno D15/199
D802,040 S * 11/2017 Canoso D15/199
D810,167 S * 2/2018 Yang D15/199
D810,800 S * 2/2018 Wang D15/199
D811,458 S * 2/2018 Wang D15/199
D813,284 S * 3/2018 Wei D15/199
D813,285 S * 3/2018 Wei D15/199
D817,375 S * 5/2018 Deyle D15/199
D820,334 S * 6/2018 Lee D15/199
D826,303 S * 8/2018 Metta D15/199
D839,334 S * 1/2019 Chen D15/199
D871,474 S * 12/2019 Kolb D15/199
D884,764 S * 5/2020 Mori D15/199
D884,765 S * 5/2020 Mori D15/199
2007/0132419 A1 * 6/2007 Hashimoto B25J 5/007
318/568.12
2008/0147261 A1 * 6/2008 Ichinose G01C 22/006
701/24
2009/0169347 A1 * 7/2009 Teng B25J 19/005
414/401
2015/0190927 A1 * 7/2015 Sutherland H04W 4/70
700/259
2018/0178375 A1 * 6/2018 Yang B25J 19/00

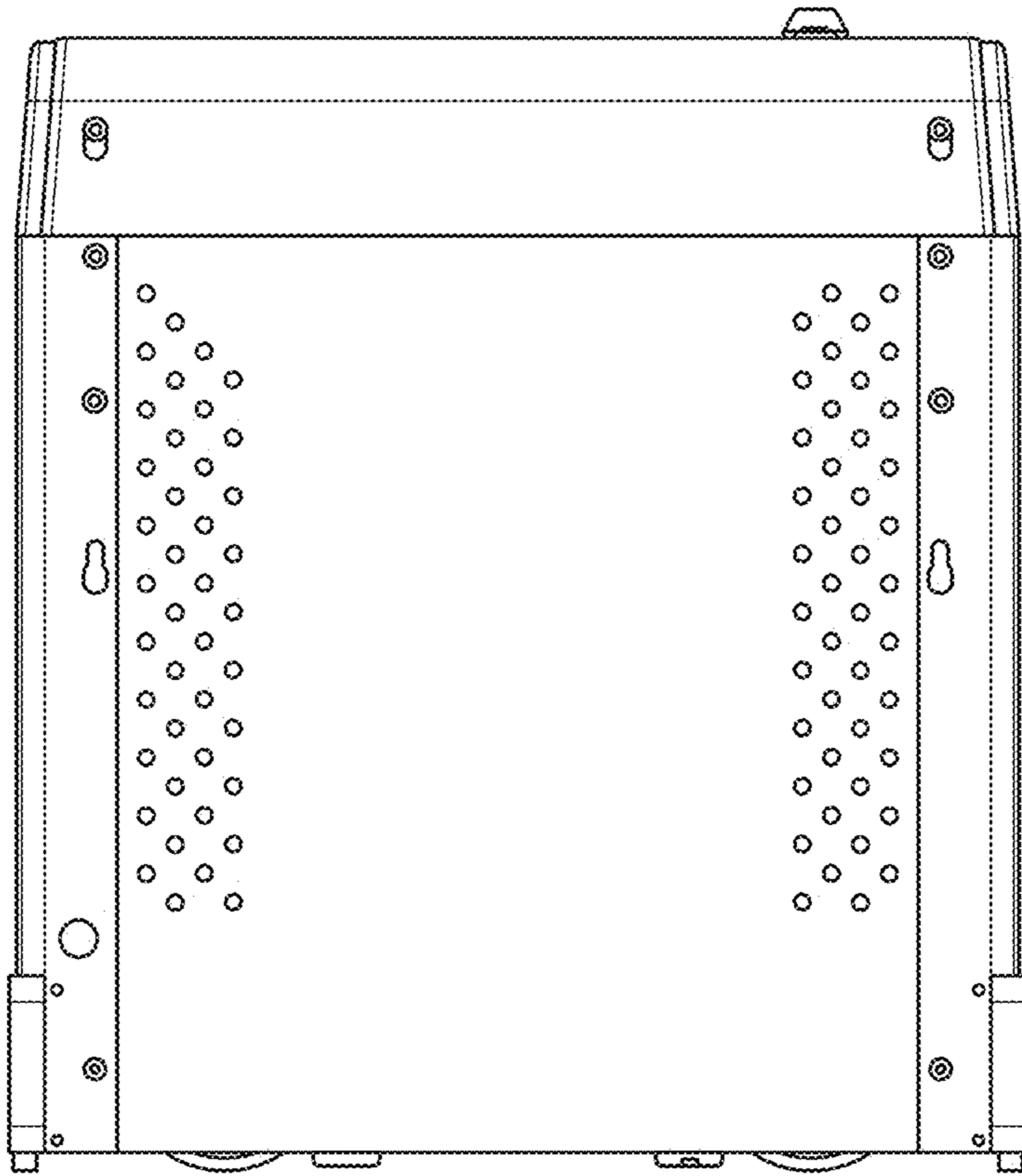
* cited by examiner



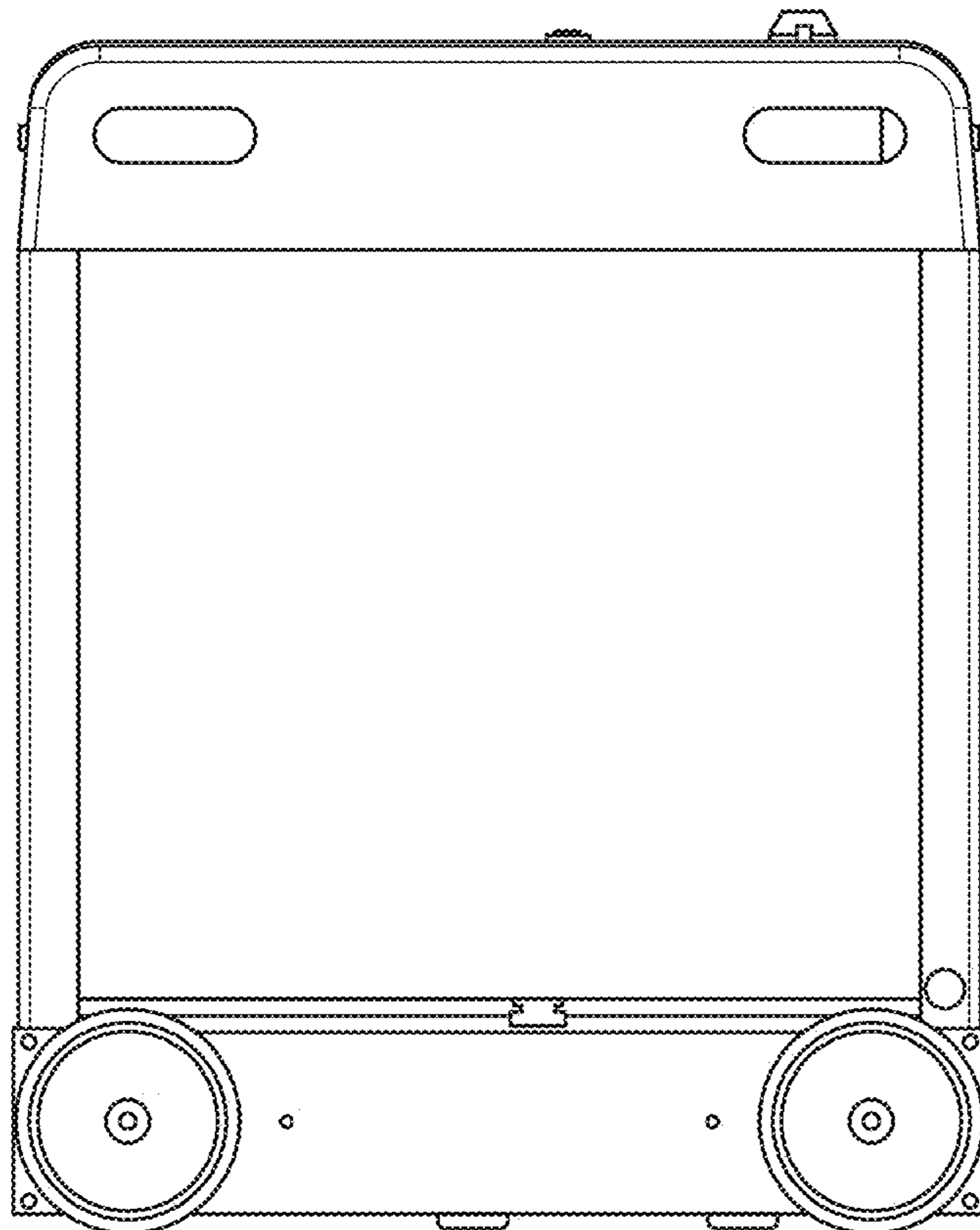
1.1



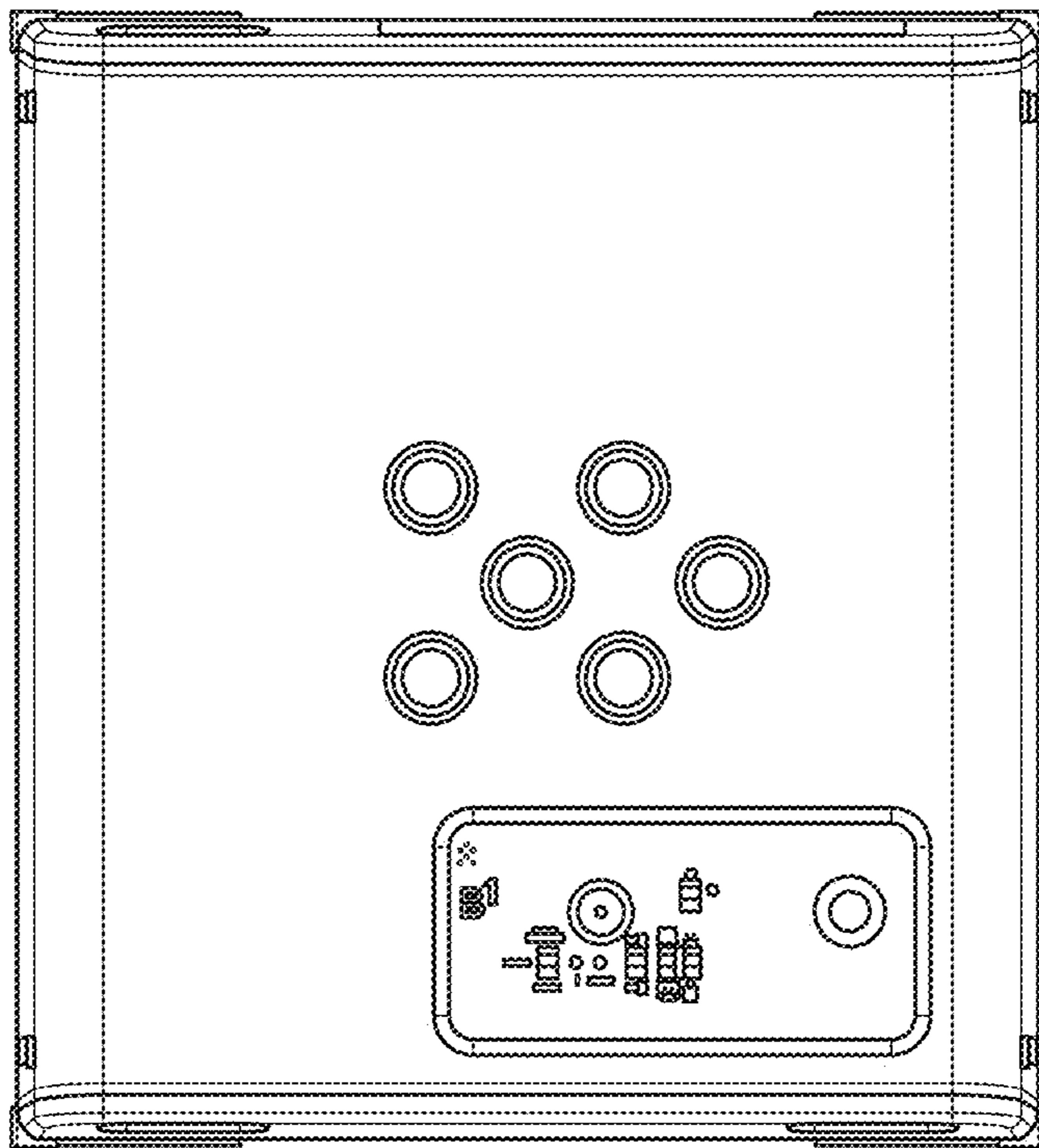
1.2



1.3



1.4



1.5