



US00D934320S

(12) **United States Design Patent** (10) **Patent No.:** **US D934,320 S**  
**Abe et al.** (45) **Date of Patent:** **\*\* Oct. 26, 2021**

(54) **INDUSTRIAL ROBOT**

(57) **CLAIM**

The ornamental design for an industrial robot, as shown and described.

(71) Applicant: **FANUC CORPORATION**, Yamanashi (JP)

**DESCRIPTION**

(72) Inventors: **Kenichiro Abe**, Yamanashi (JP);  
**Masahiro Morioka**, Yamanashi (JP);  
**Toshiro Watanabe**, Yamanashi (JP)

FIG. 1 is a first perspective view of an industrial robot showing a first embodiment of our new design;

(73) Assignee: **FANUC CORPORATION**, Yamanashi (JP)

FIG. 2 is a second perspective view thereof;

(\*\*) Term: **15 Years**

FIG. 3 is a third perspective view thereof;

(21) Appl. No.: **29/707,931**

FIG. 4 is a fourth perspective view thereof;

(22) Filed: **Oct. 2, 2019**

FIG. 5 is a front view thereof;

(30) **Foreign Application Priority Data**

FIG. 6 is a rear view thereof;

Apr. 5, 2019 (JP) ..... 2019-007453

FIG. 7 is a top plan thereof;

(51) **LOC (13) Cl.** ..... **15-99**

FIG. 8 is a bottom plan view thereof;

(52) **U.S. Cl.**  
USPC ..... **15/199**

FIG. 9 is a right side view thereof;

(58) **Field of Classification Search**  
USPC ..... D15/199; D21/578-583, 621, 622;  
D32/21; D34/34  
CPC .... B25J 9/042; B25J 9/046; B25J 9/06; H01L  
21/67766  
See application file for complete search history.

FIG. 10 is a left side view thereof;

(56) **References Cited**

FIG. 11 is a first perspective view of an industrial robot showing a second embodiment of our new design;

**U.S. PATENT DOCUMENTS**

D359,296 S \* 6/1995 Witherspoon ..... D15/199  
D712,447 S \* 9/2014 He ..... D15/199  
D749,223 S \* 2/2016 Vargas ..... D24/185

FIG. 12 is a second perspective view thereof;

(Continued)

FIG. 13 is a third perspective view thereof;

*Primary Examiner* — Patricia A Palasik

FIG. 14 is a fourth perspective view thereof;

(74) *Attorney, Agent, or Firm* — Banner & Witcoff, Ltd.

FIG. 15 is a front view thereof

**1 Claim, 15 Drawing Sheets**

FIG. 16 is a rearview thereof;

FIG. 17 is a top plan thereof;

FIG. 18 is a bottom plan view thereof;

FIG. 19 is a right side view thereof;

FIG. 20 is a left side view thereof;

FIG. 21 is a first perspective view of an industrial robot showing a third embodiment of our new design;

FIG. 22 is a second perspective view thereof;

FIG. 23 is a third perspective view thereof;

FIG. 24 is a fourth perspective view thereof;

FIG. 25 is a front view thereof;

FIG. 26 is a rear view thereof;

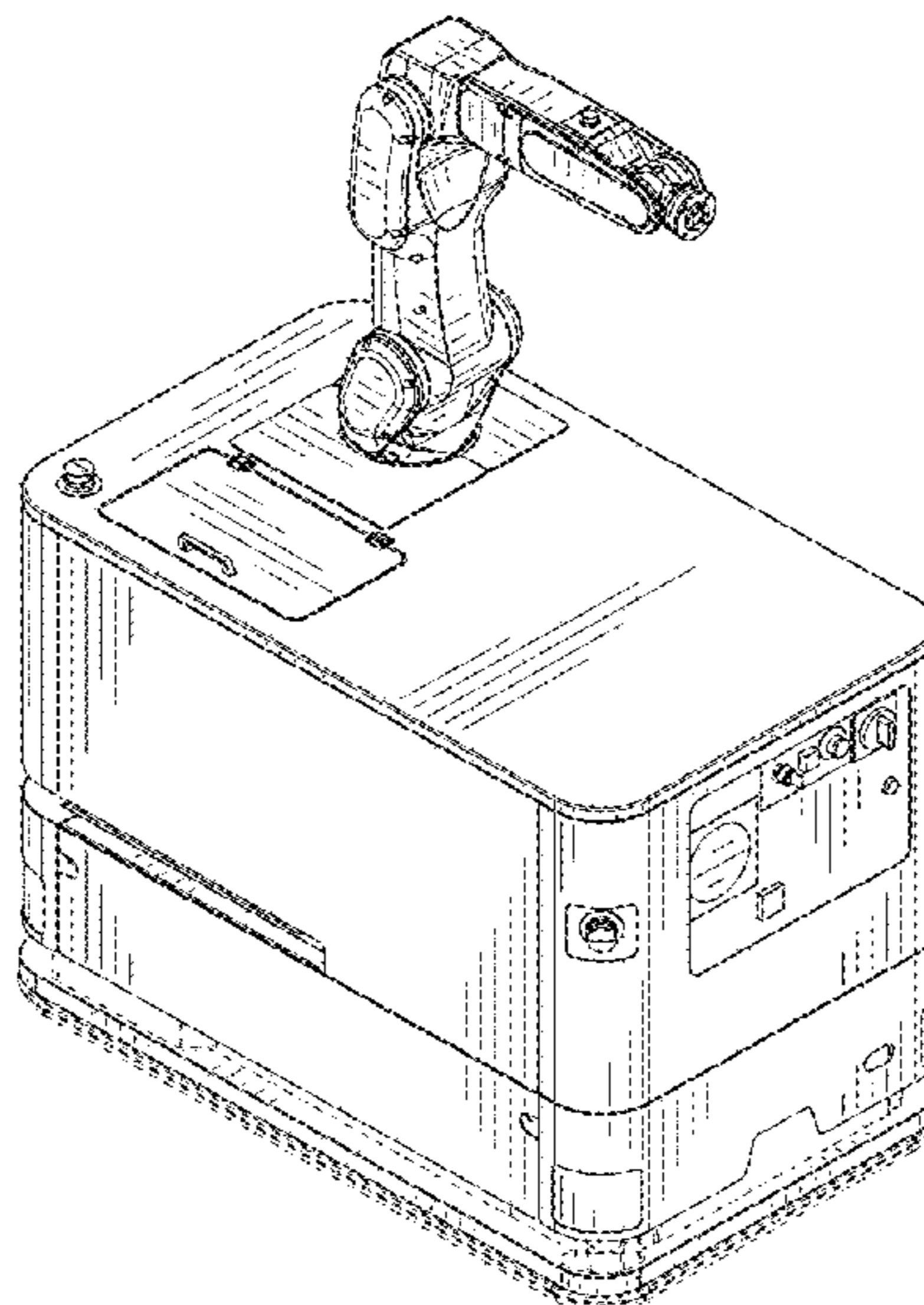
FIG. 27 is a top plan thereof;

FIG. 28 is a bottom plan view thereof;

FIG. 29 is a right side view thereof; and,

FIG. 30 is a left side view thereof.

The broken line showing of the remainder of the industrial robot represents portions which form no part of the claimed design.



(56)

**References Cited**

## U.S. PATENT DOCUMENTS

9,254,566	B2 *	2/2016	Hashimoto .....	B25J 11/0095
D843,427	S *	3/2019	Medal .....	D15/199
D868,129	S *	11/2019	Bogart .....	D15/199
D877,222	S *	3/2020	Abe .....	D15/199
D877,223	S *	3/2020	Abe .....	D15/199
D878,443	S *	3/2020	Abe .....	D15/199
D883,352	S *	5/2020	Abe .....	D15/199
D894,983	S *	9/2020	Okada .....	D15/199
D895,709	S *	9/2020	Okada .....	D15/199
D897,537	S *	9/2020	Hulford .....	D24/170
D912,115	S *	3/2021	Rembisz .....	D15/199
D914,780	S *	3/2021	Hammers .....	D15/199
2016/0052137	A1 *	2/2016	Hyde .....	A61G 5/047 701/24
2016/0107317	A1 *	4/2016	Hashimoto .....	B25J 15/0014 414/744.2
2016/0327383	A1 *	11/2016	Becker .....	G01B 11/005
2016/0332303	A1 *	11/2016	Kirihara .....	B25J 9/1694
2017/0065355	A1 *	3/2017	Ross .....	A61B 50/13

\* cited by examiner

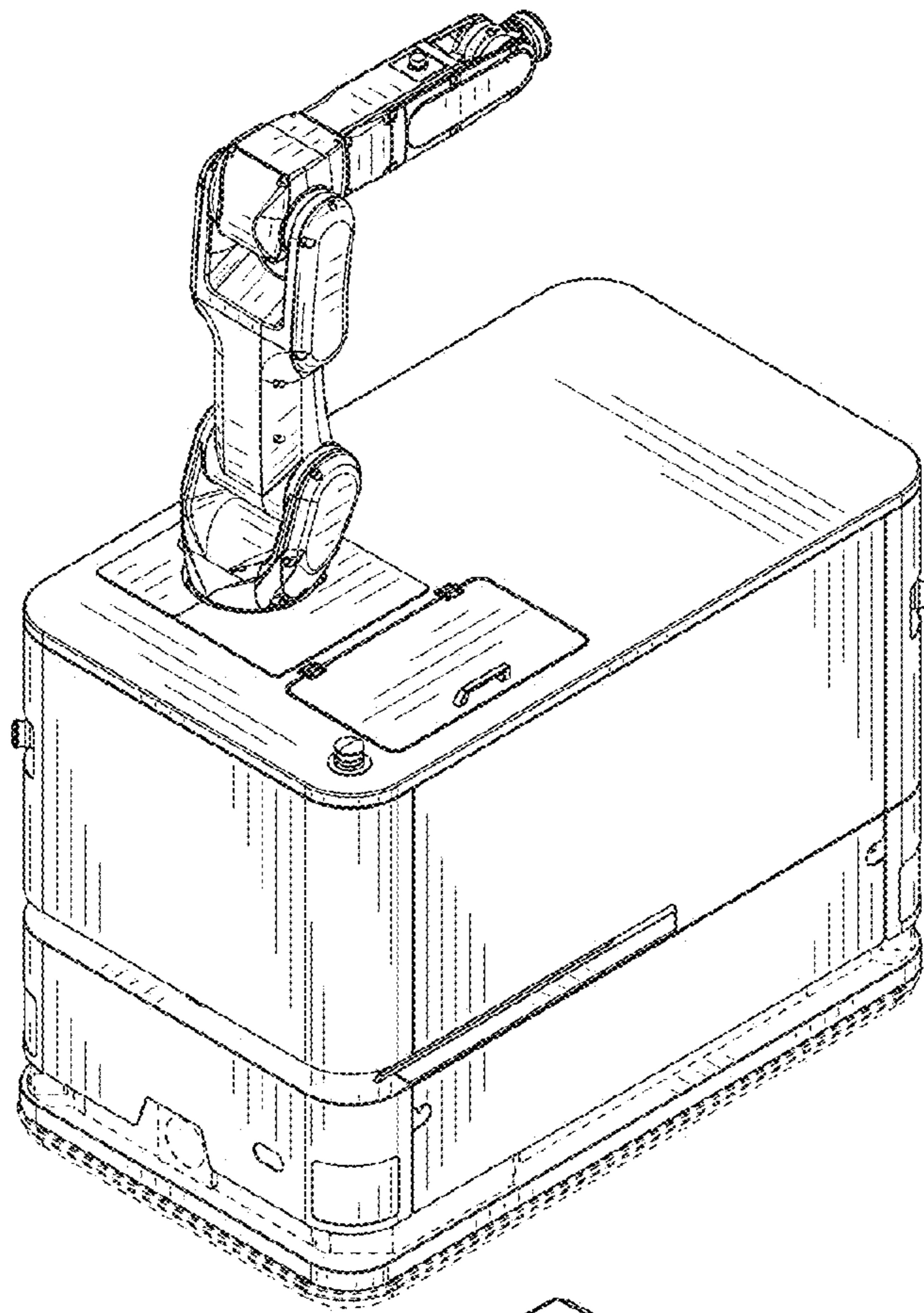


FIG. 1

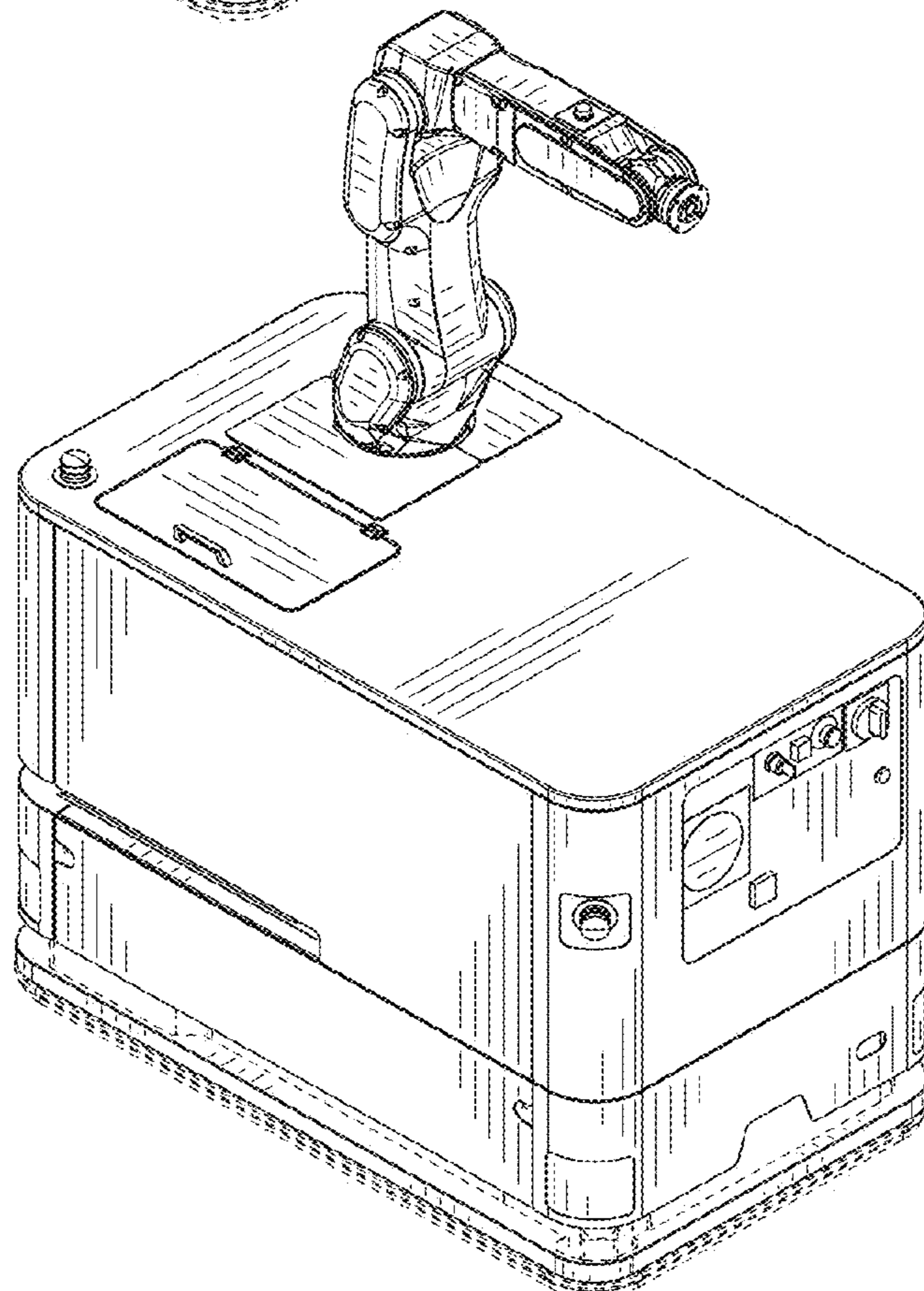


FIG. 2

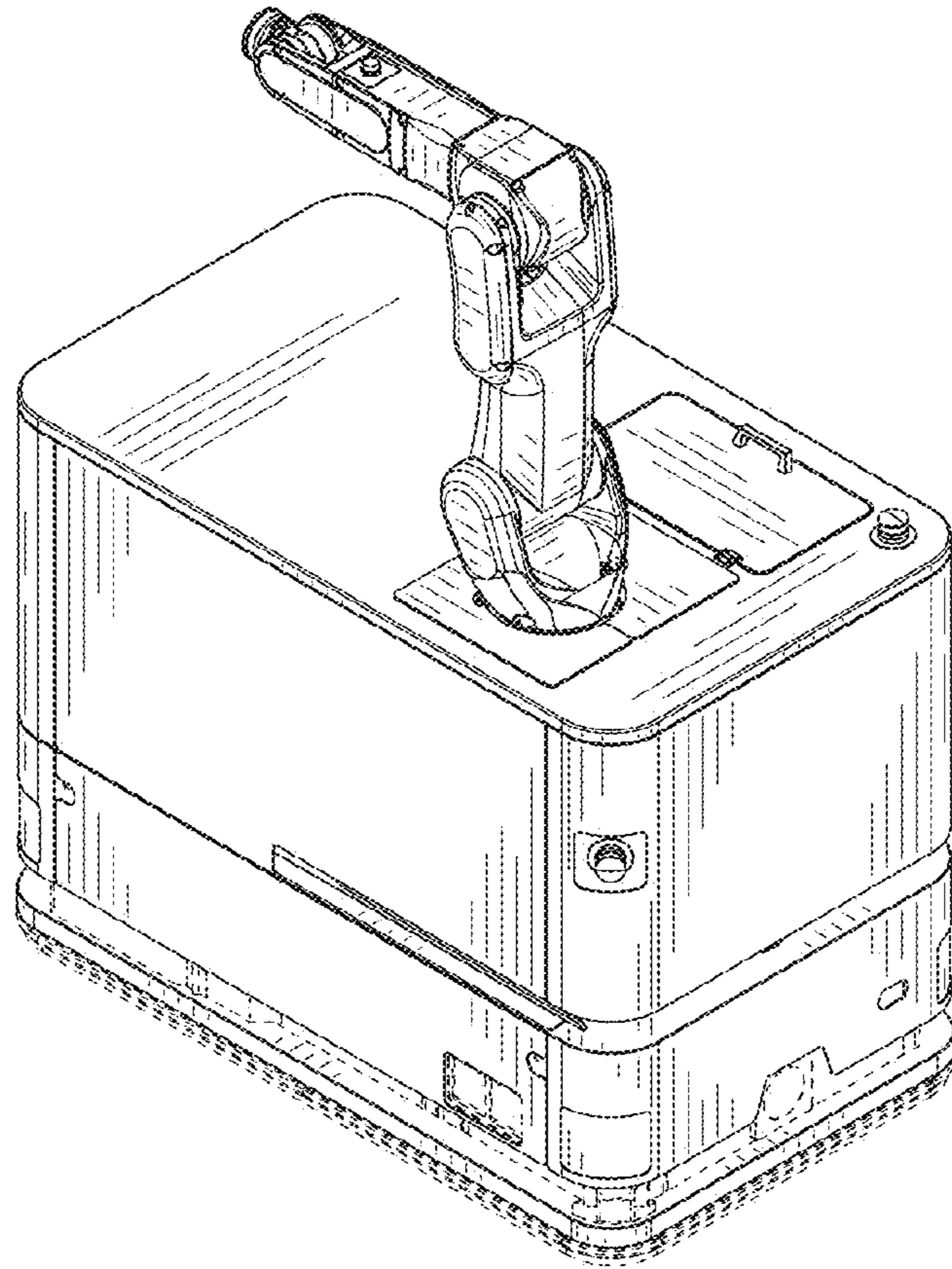


FIG. 3

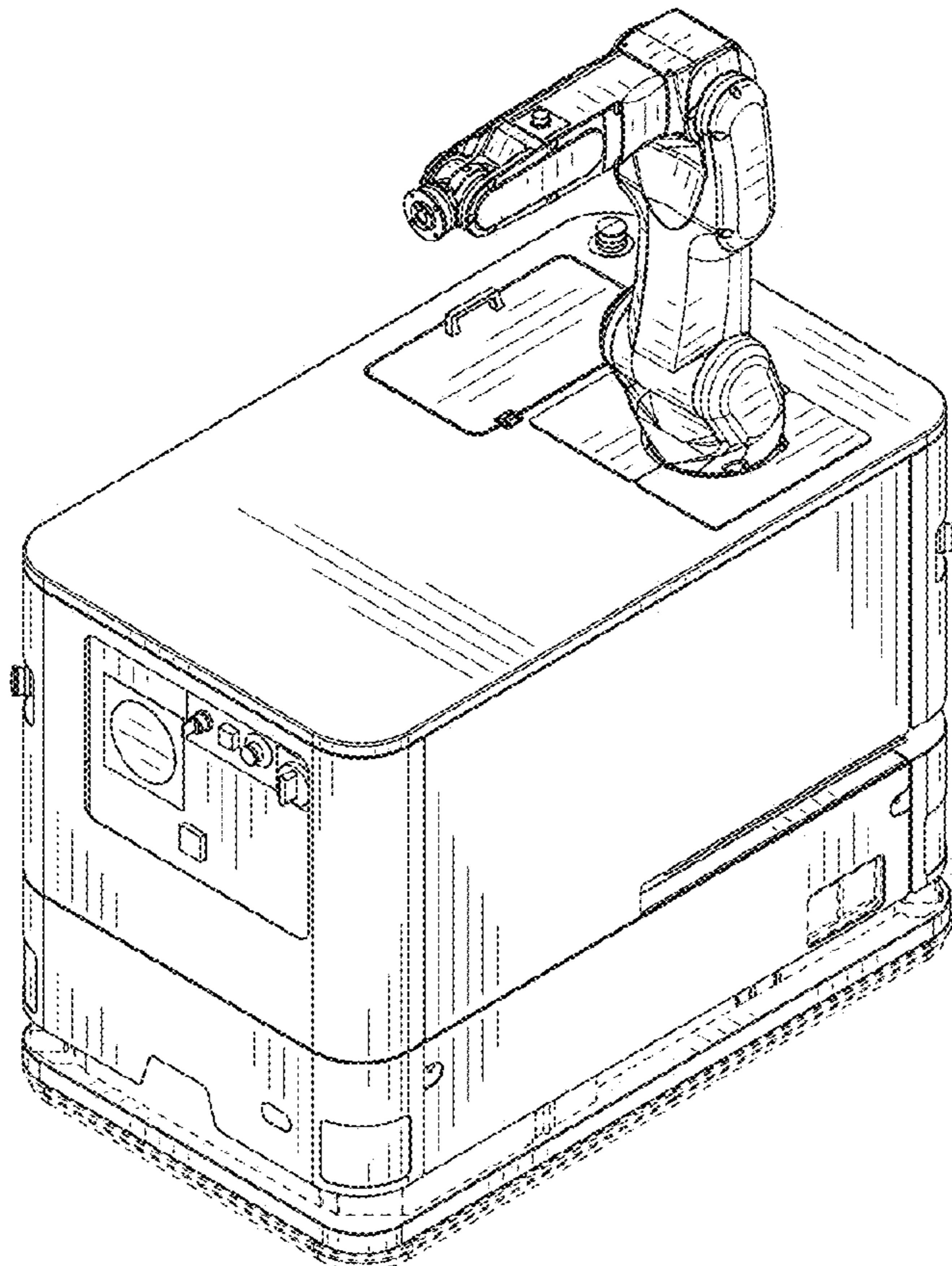


FIG. 4

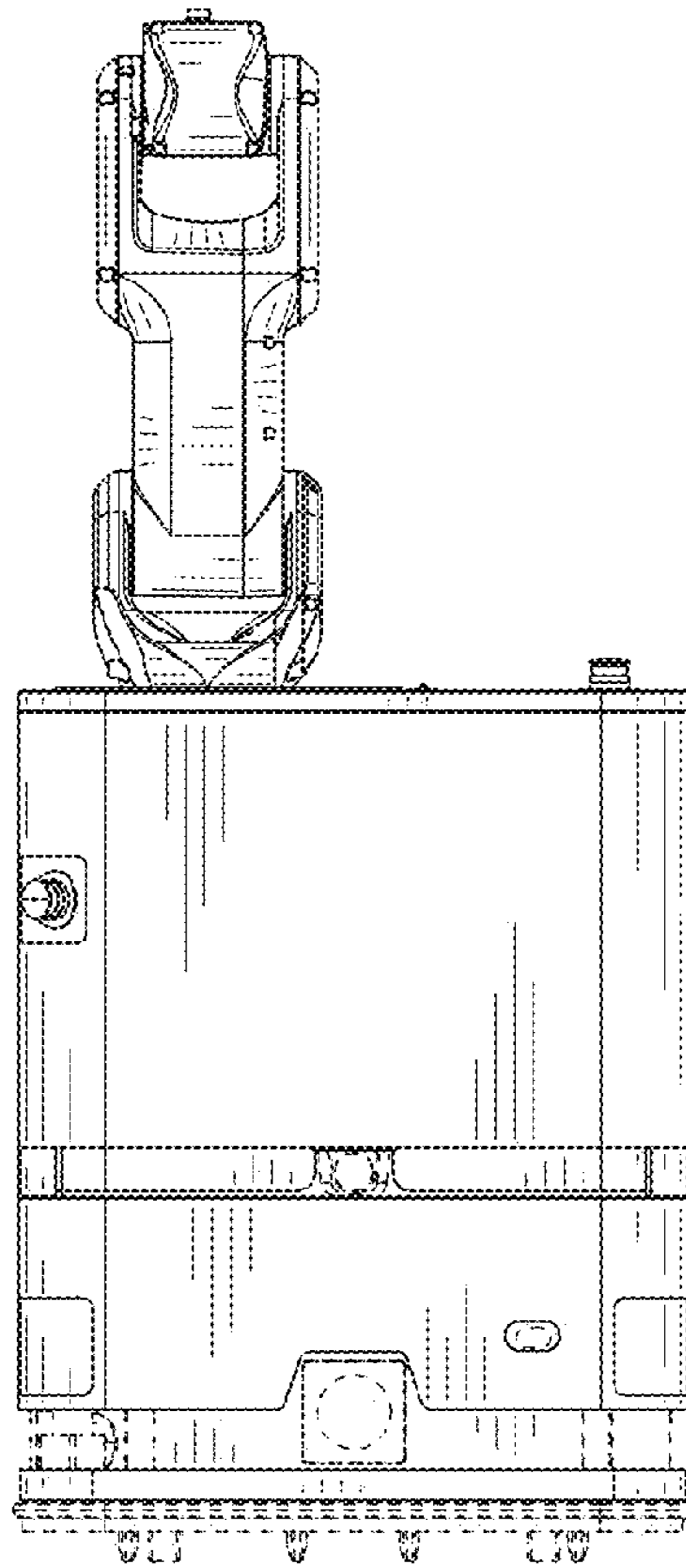


FIG. 5

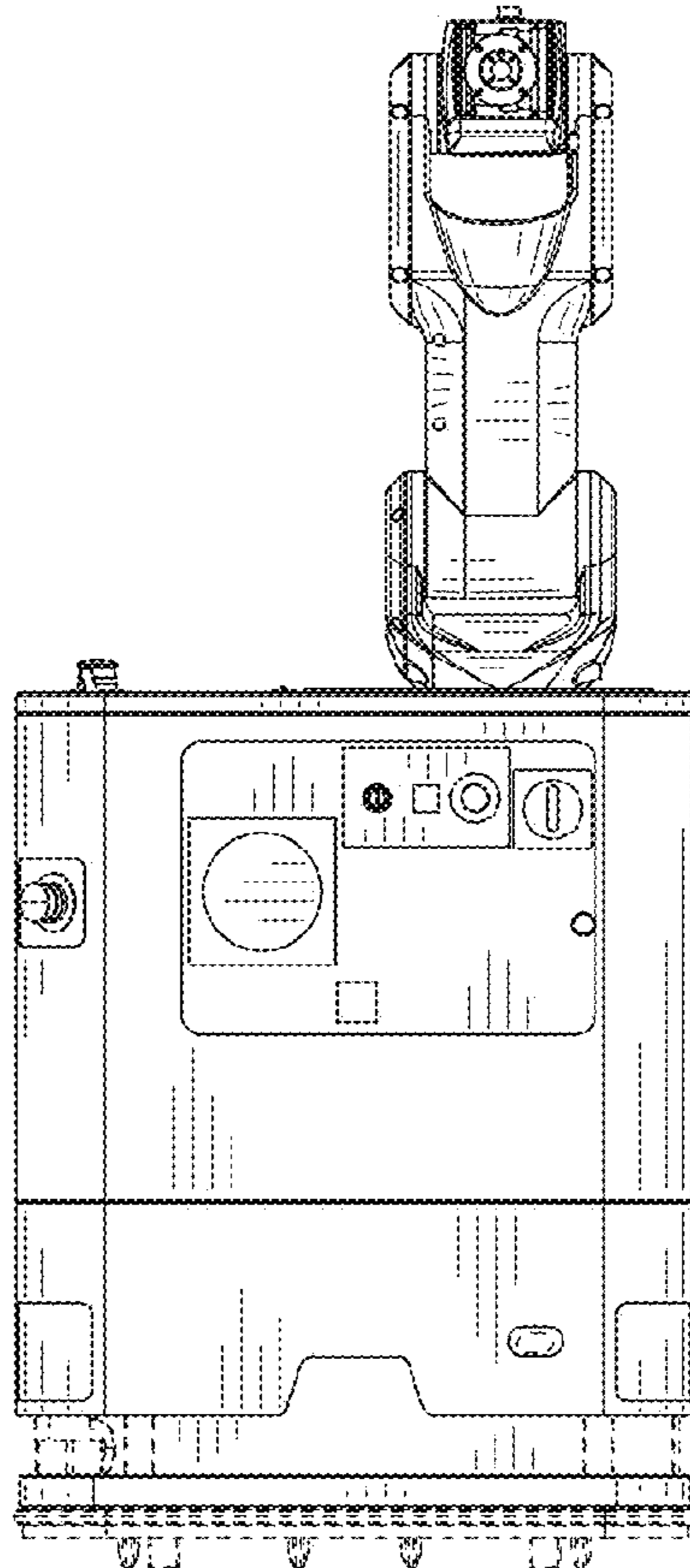


FIG. 6

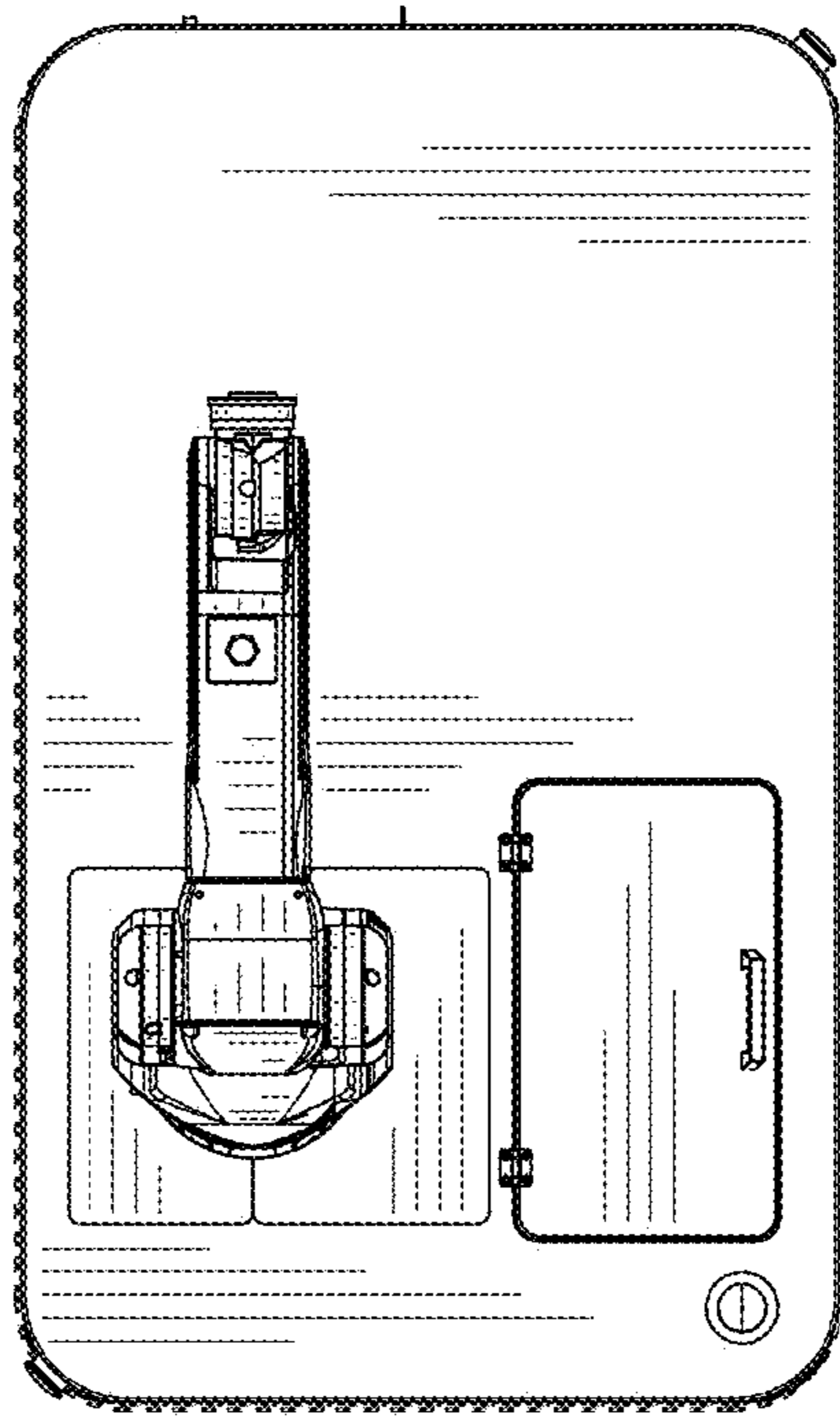


FIG. 7

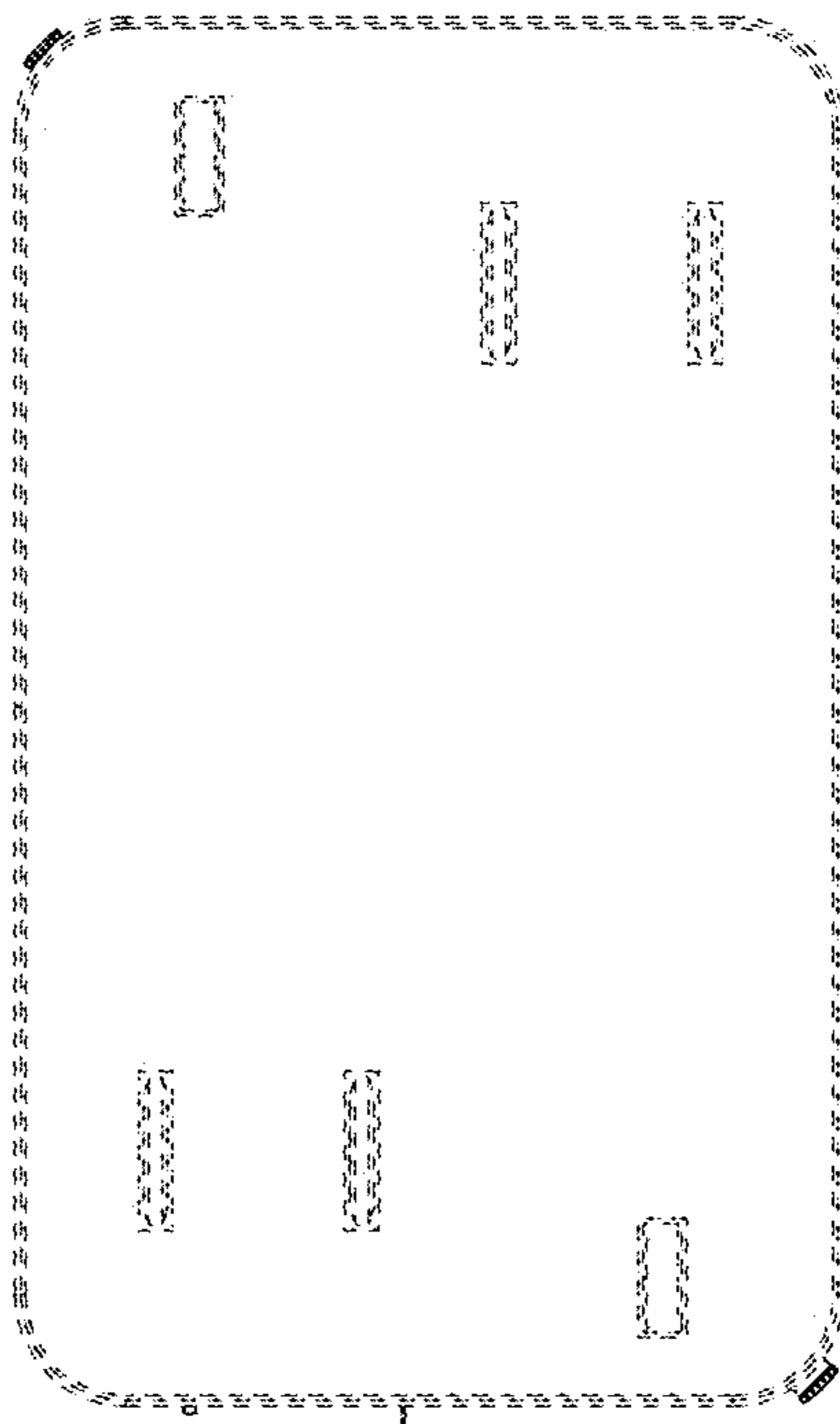


FIG. 8

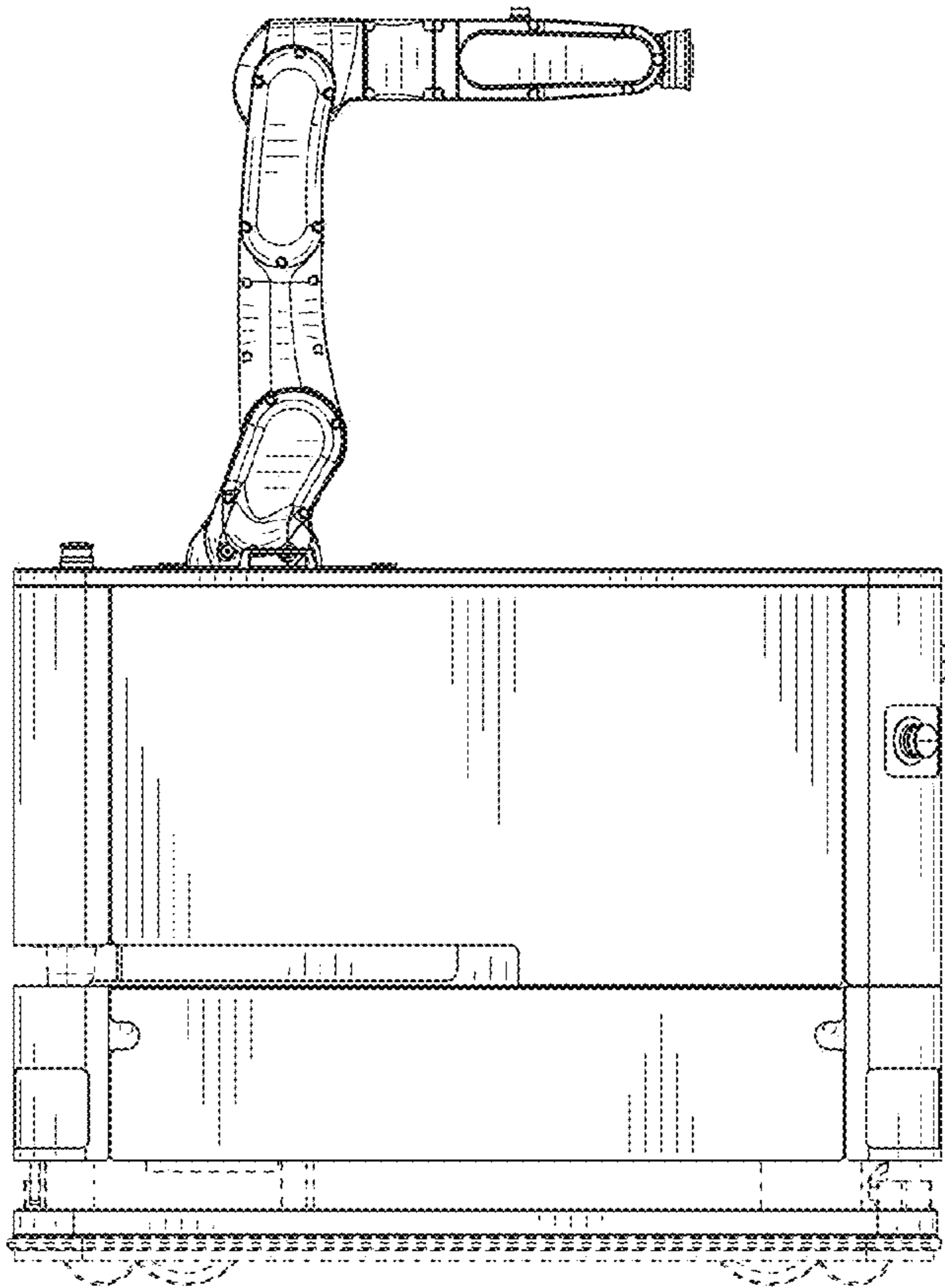


FIG. 9

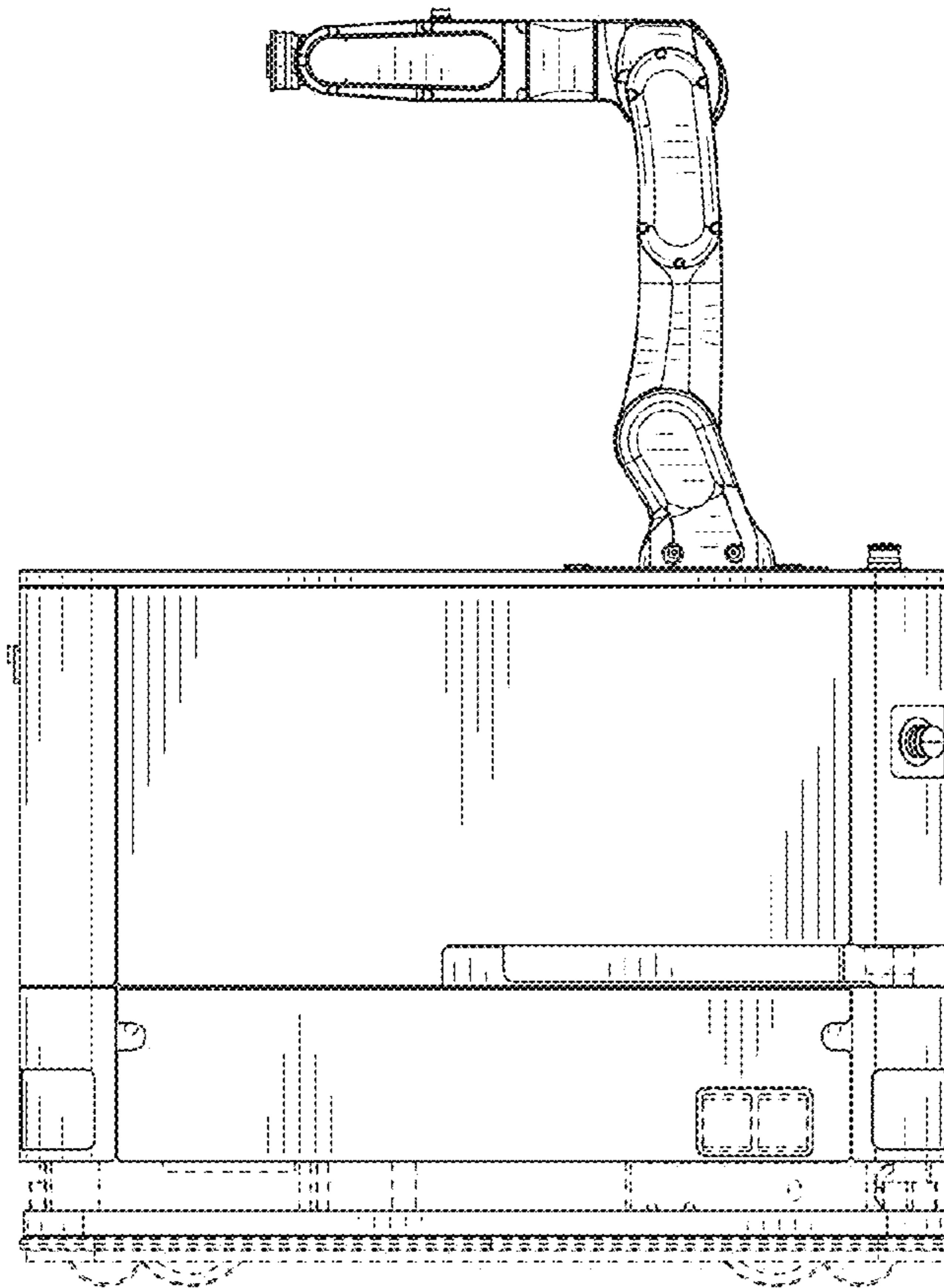


FIG. 10

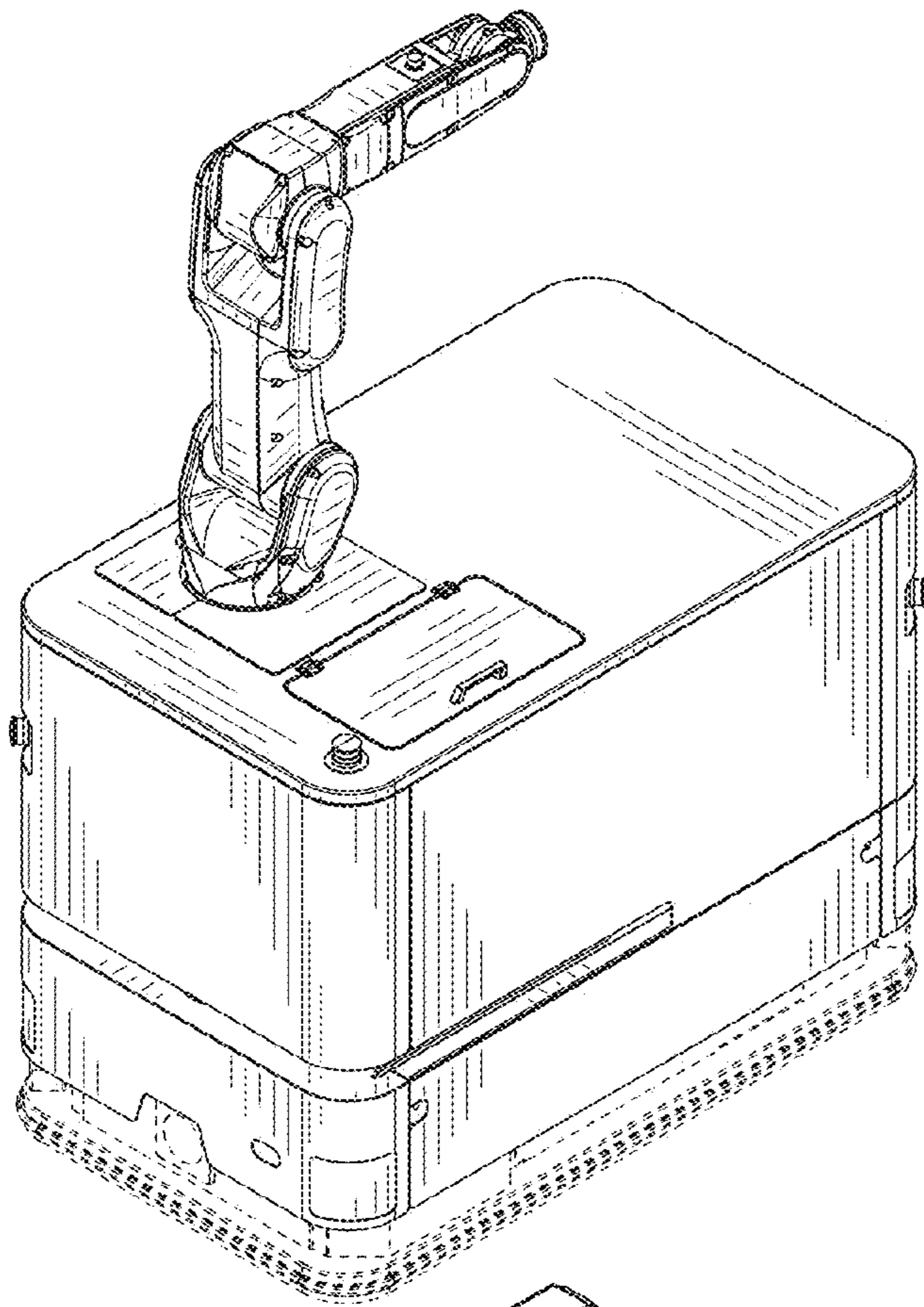


FIG. 11

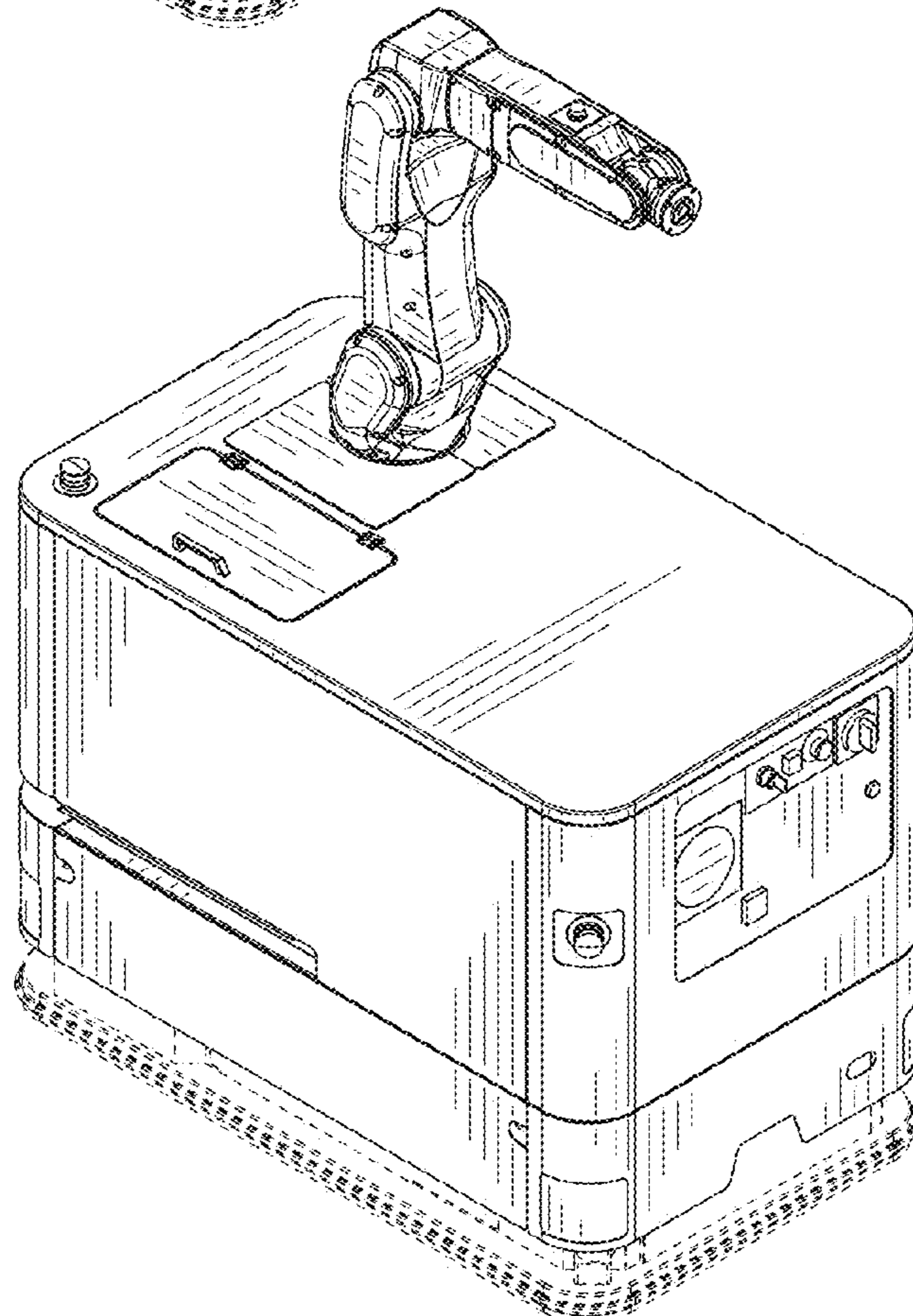


FIG. 12



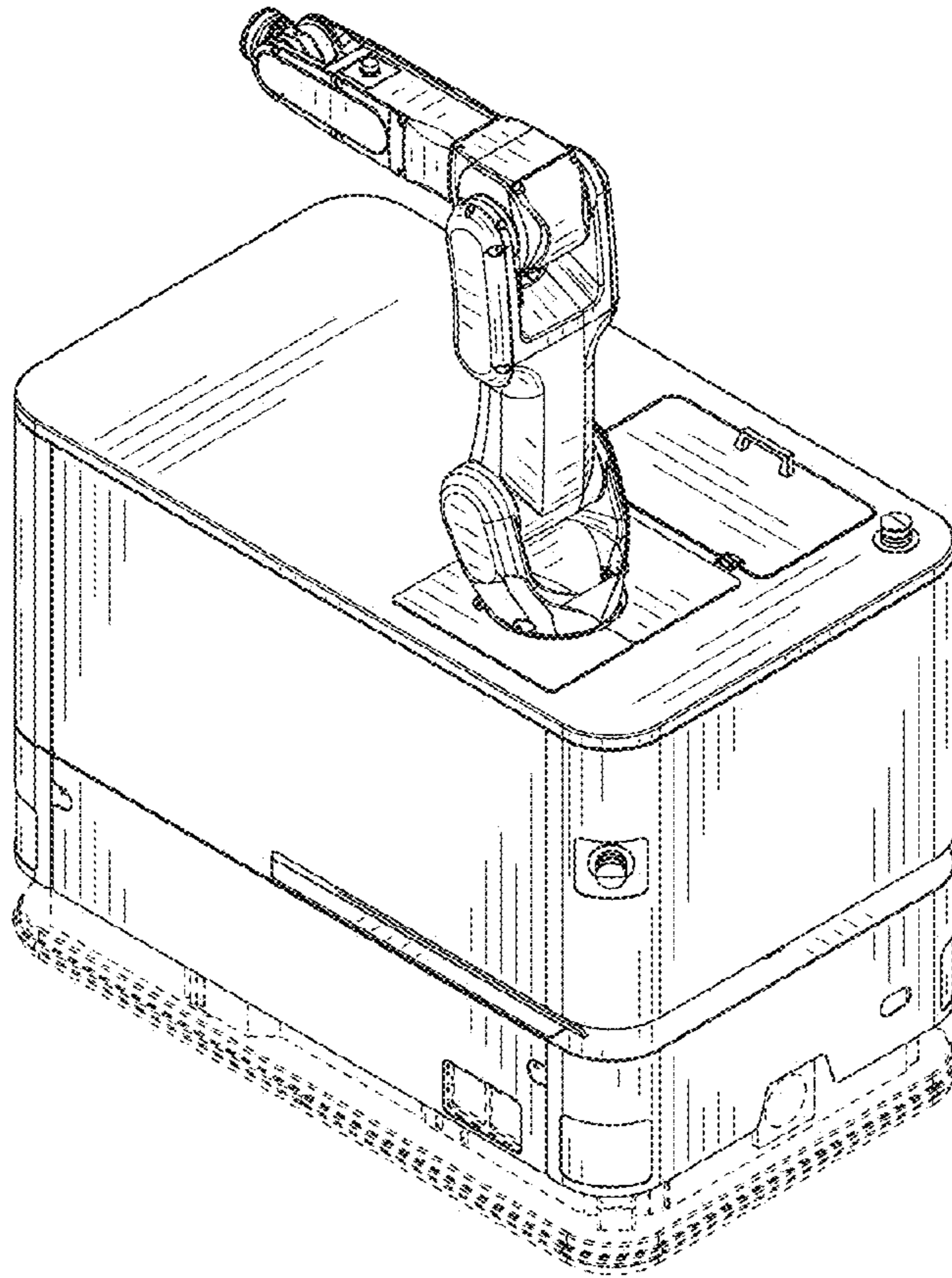


FIG. 13

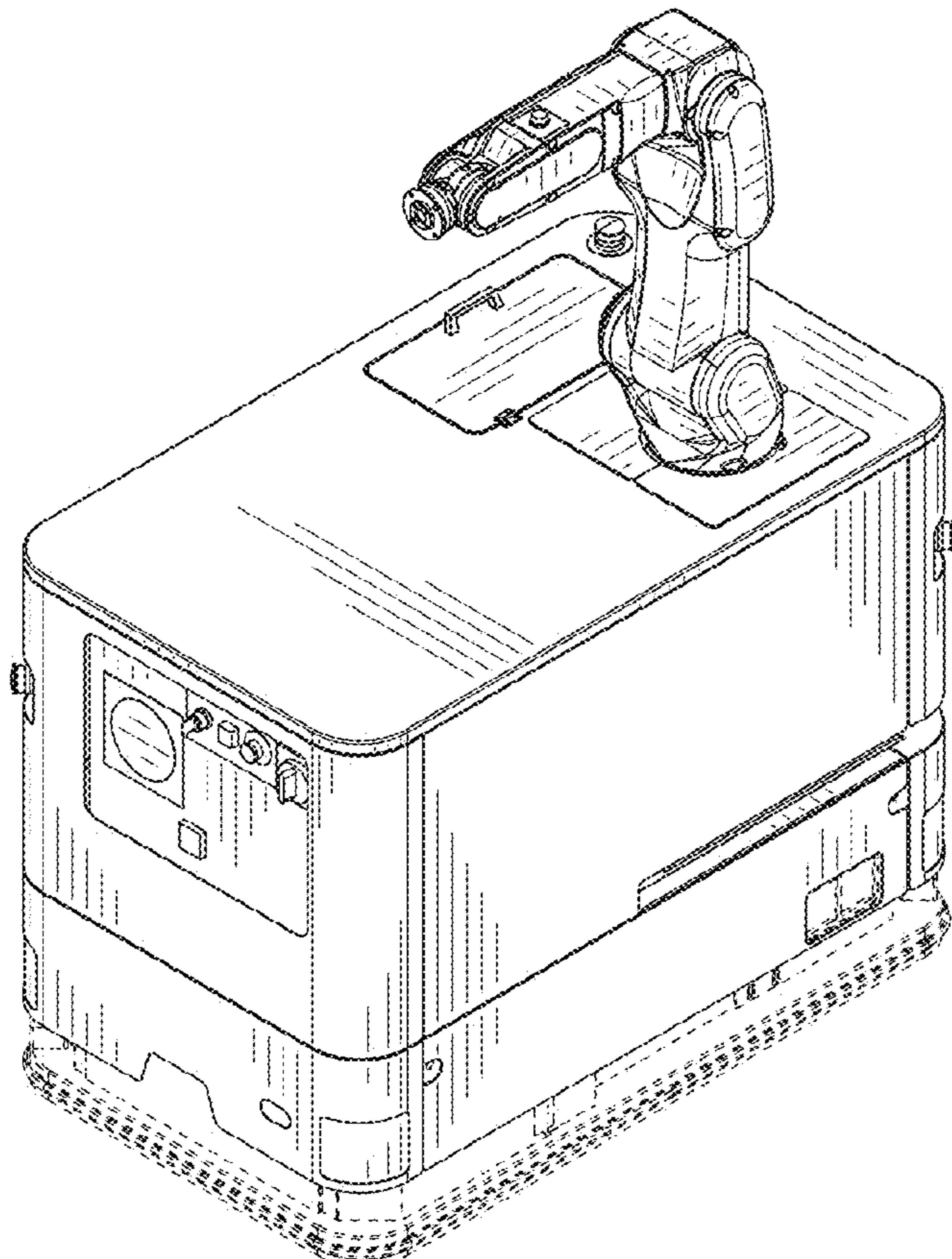


FIG. 14

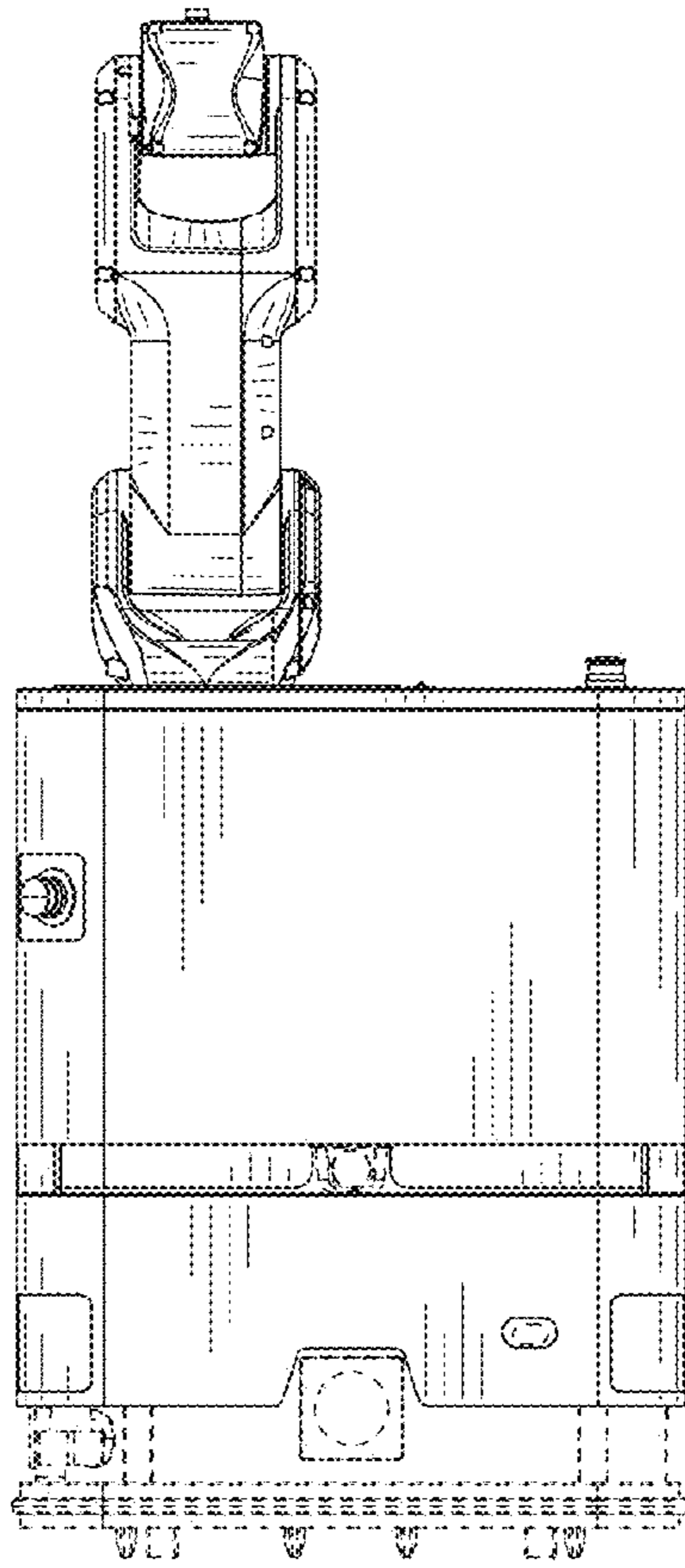


FIG. 15

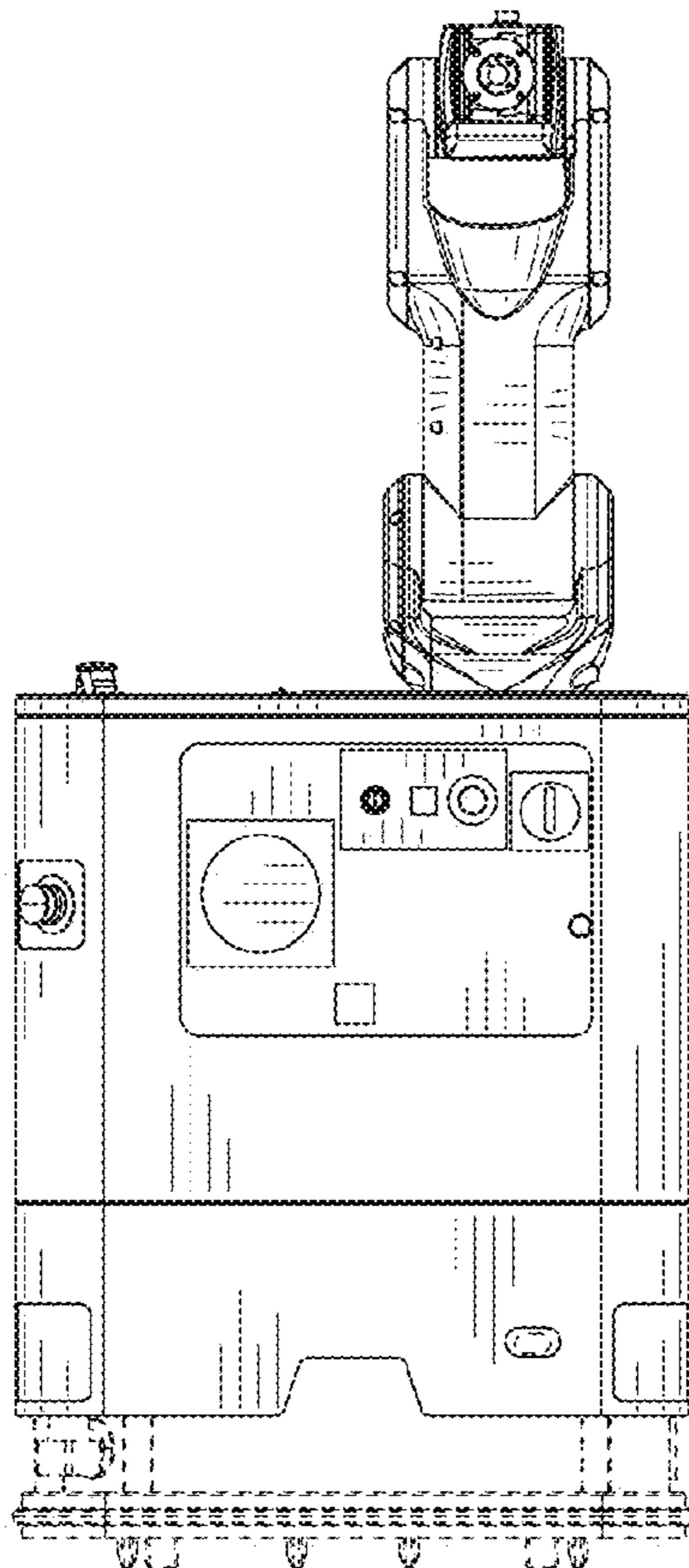


FIG. 16

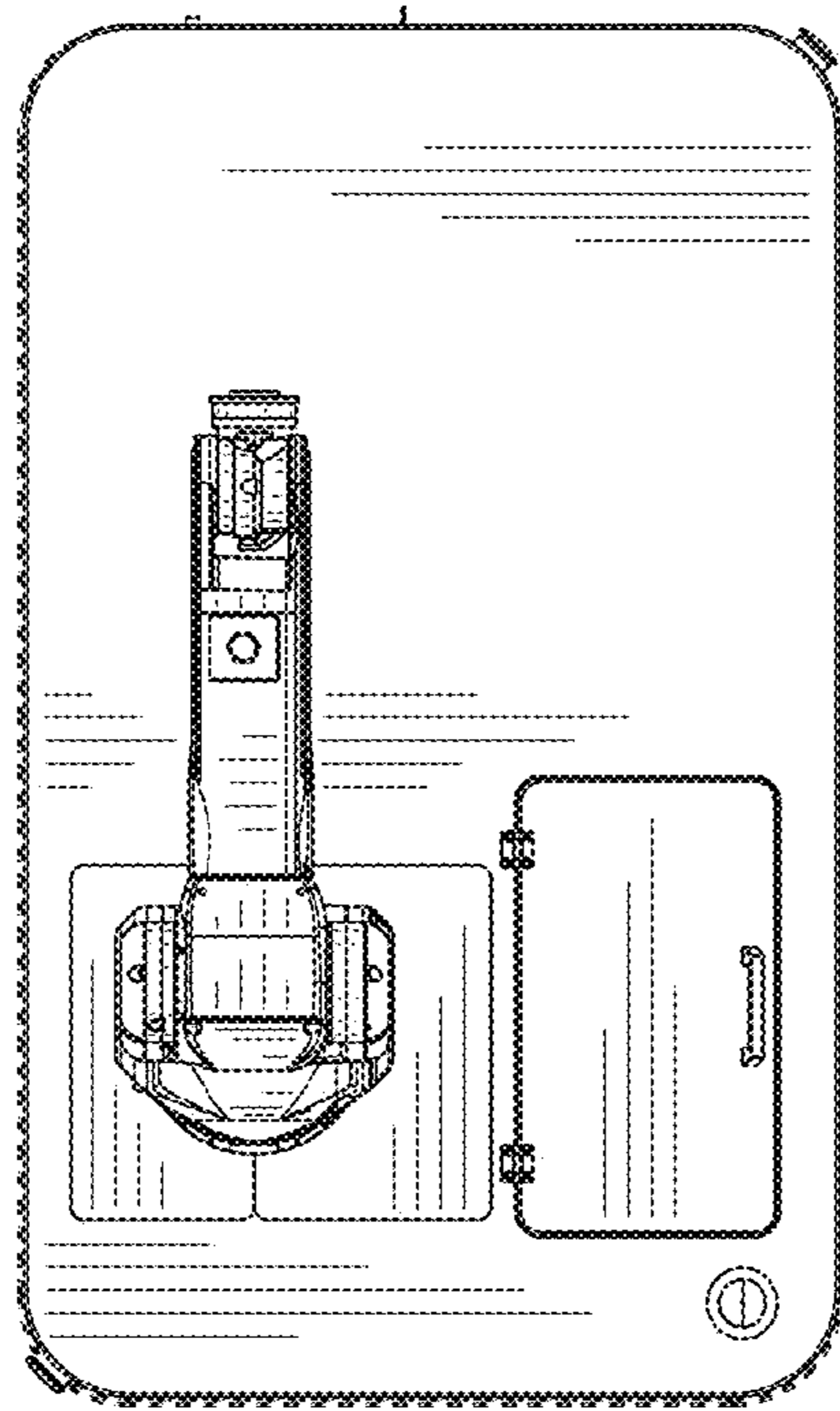


FIG. 17

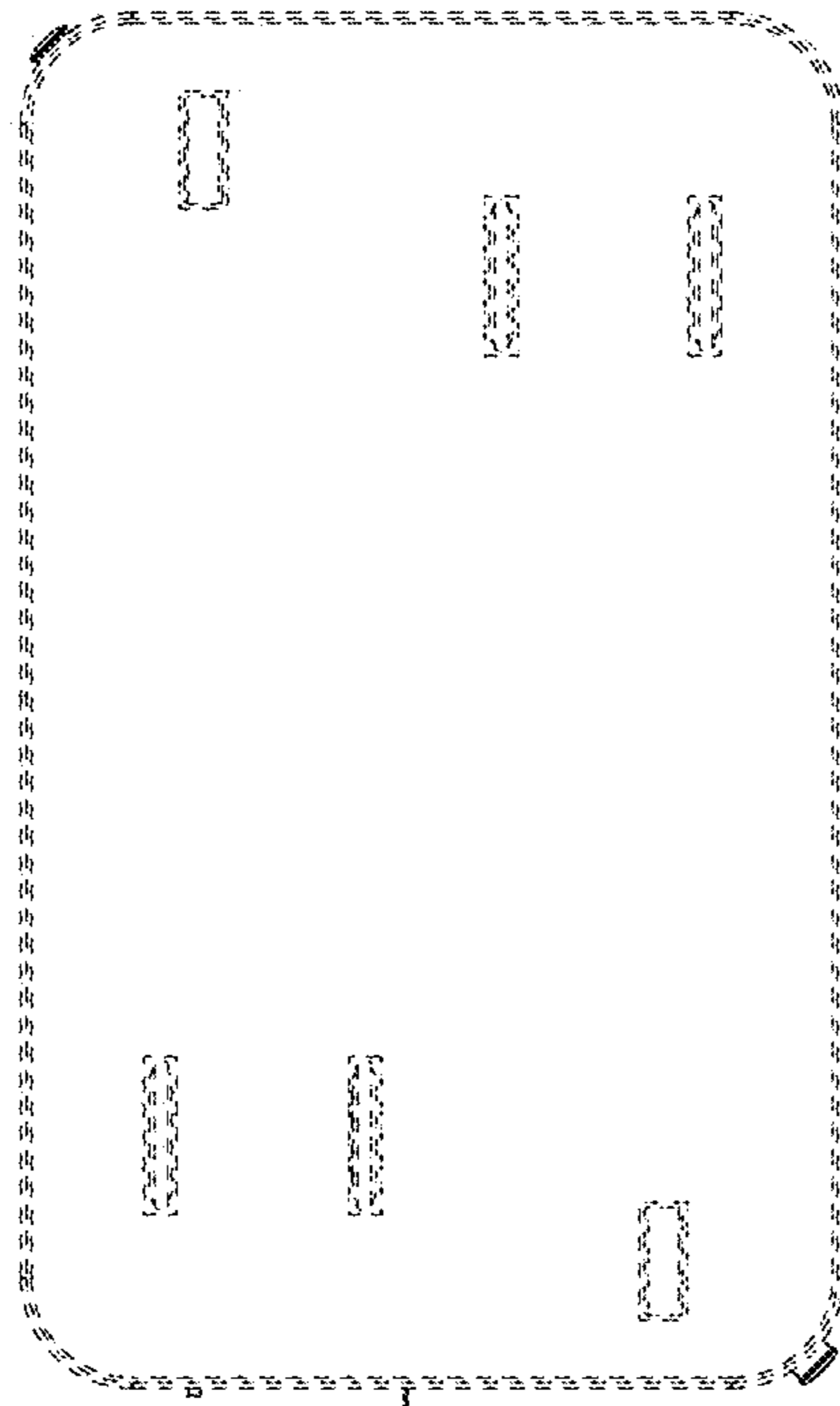


FIG. 18

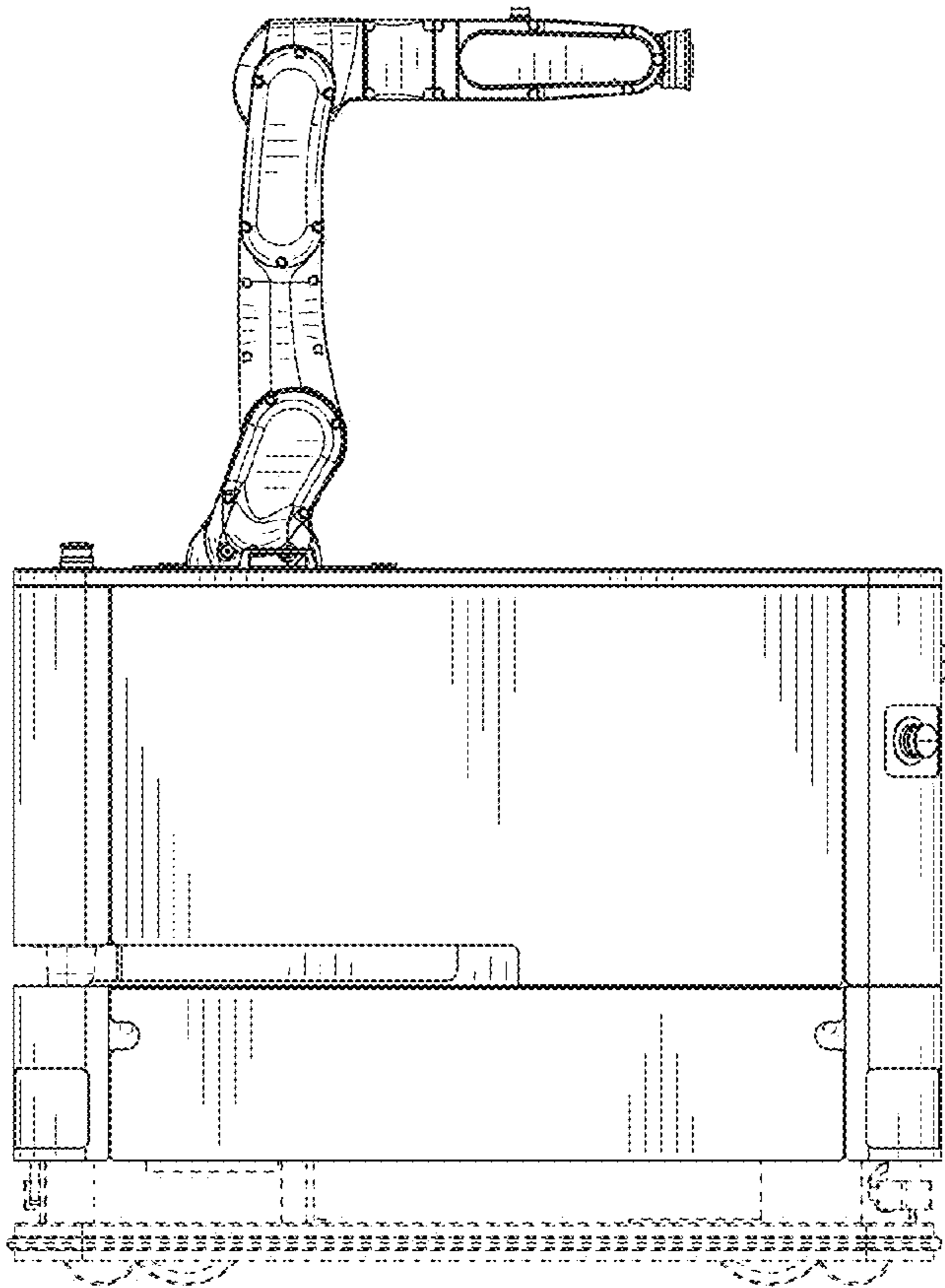


FIG. 19

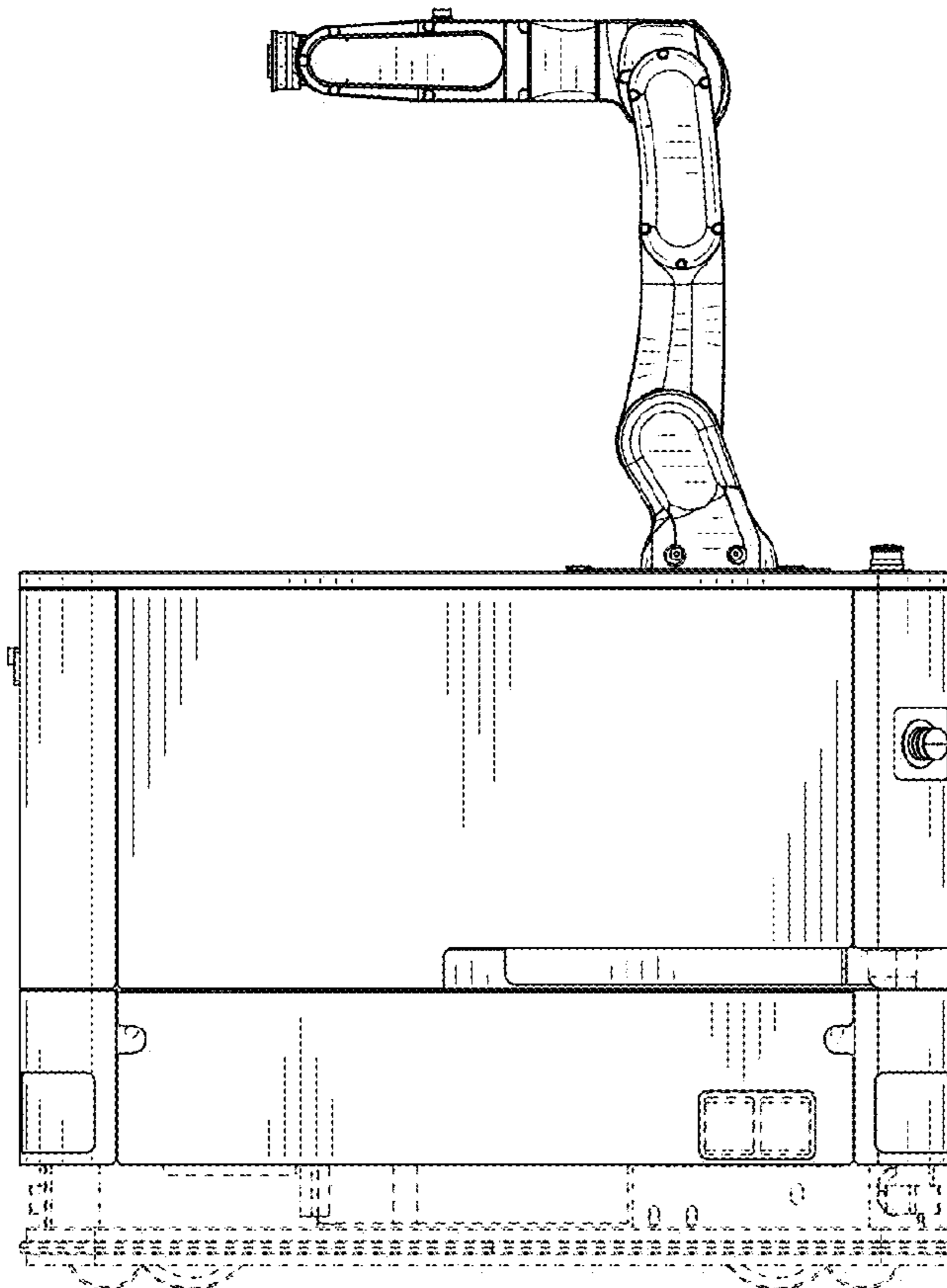


FIG. 20

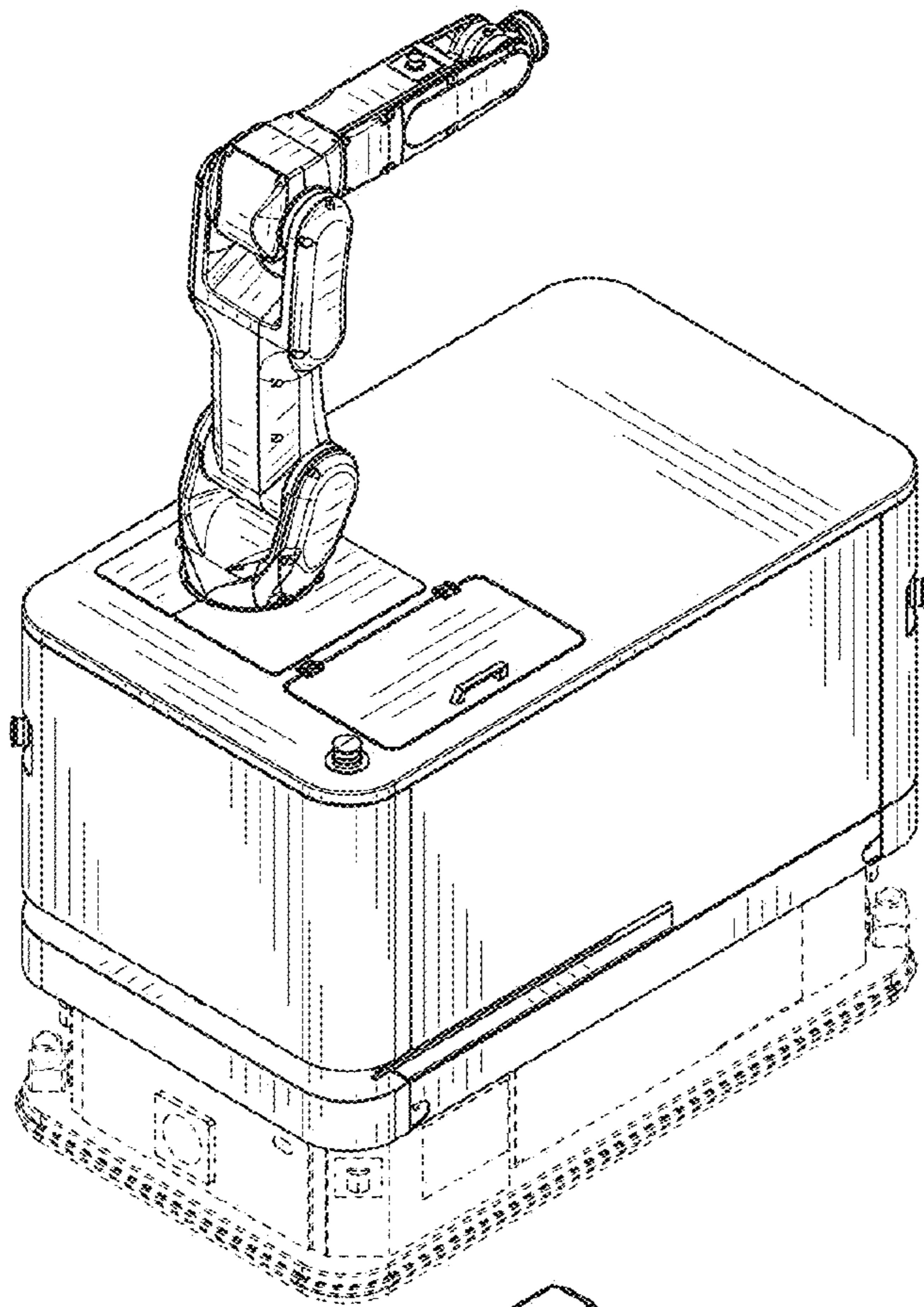


FIG. 21

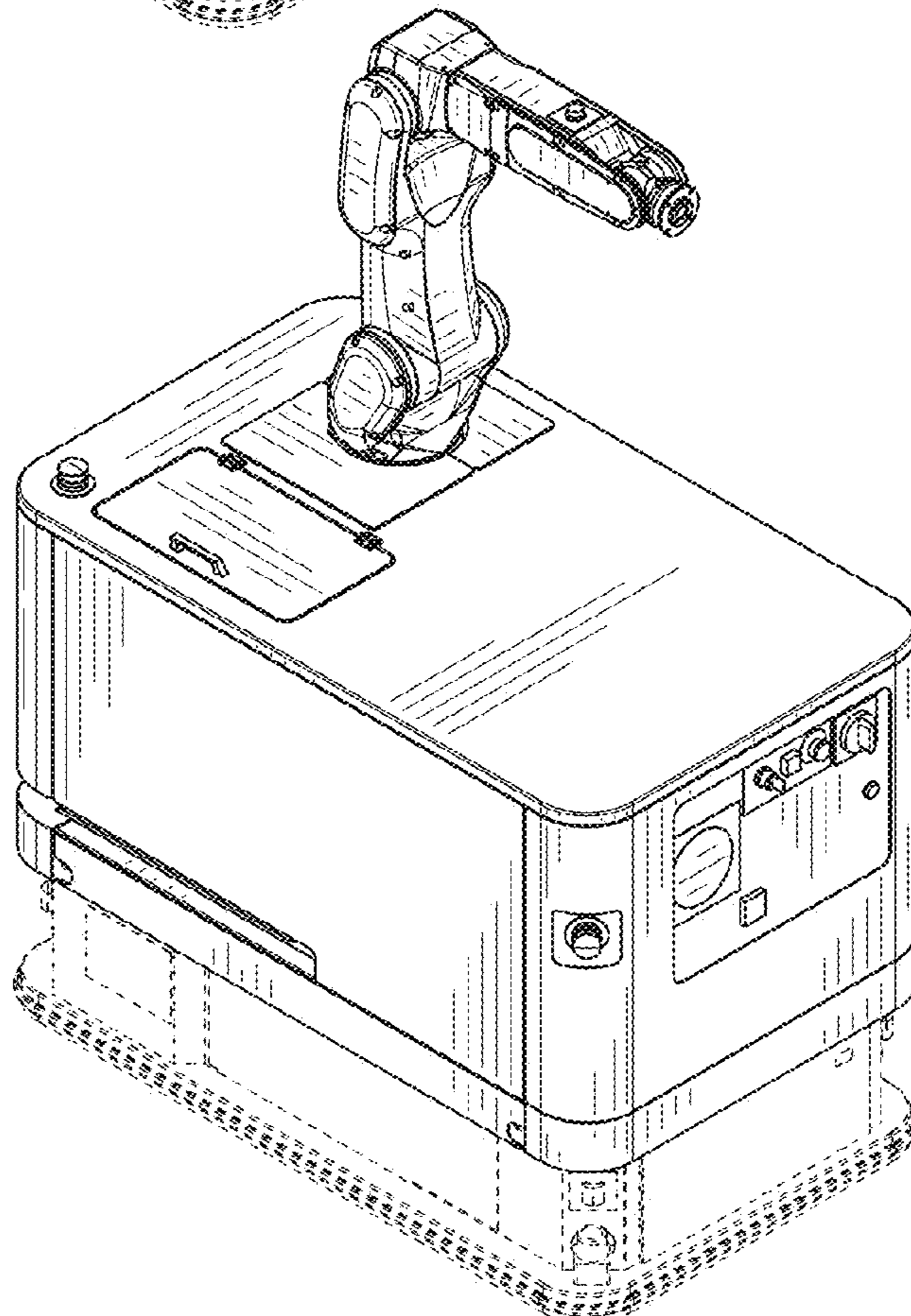


FIG. 22

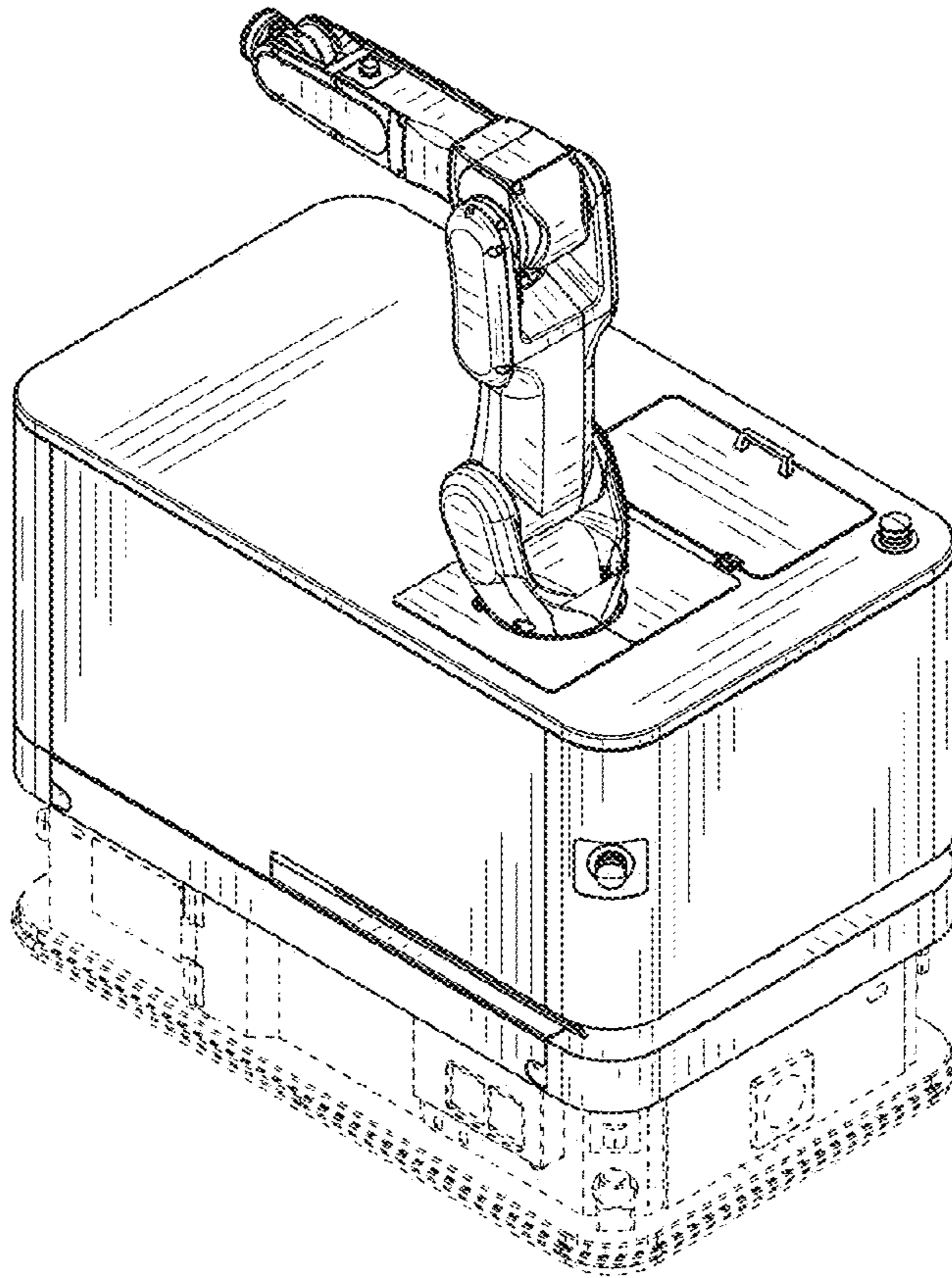


FIG. 23

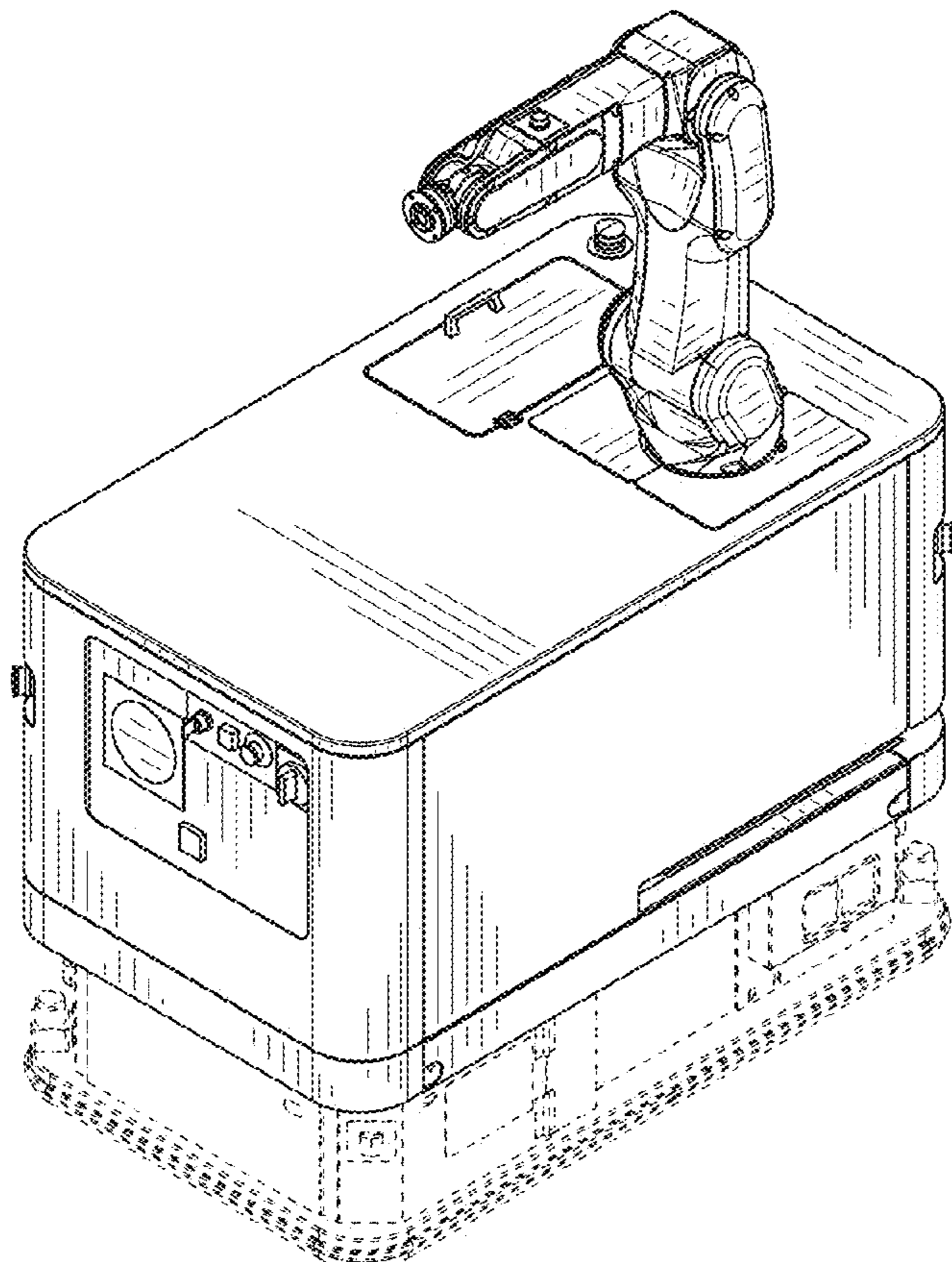


FIG. 24

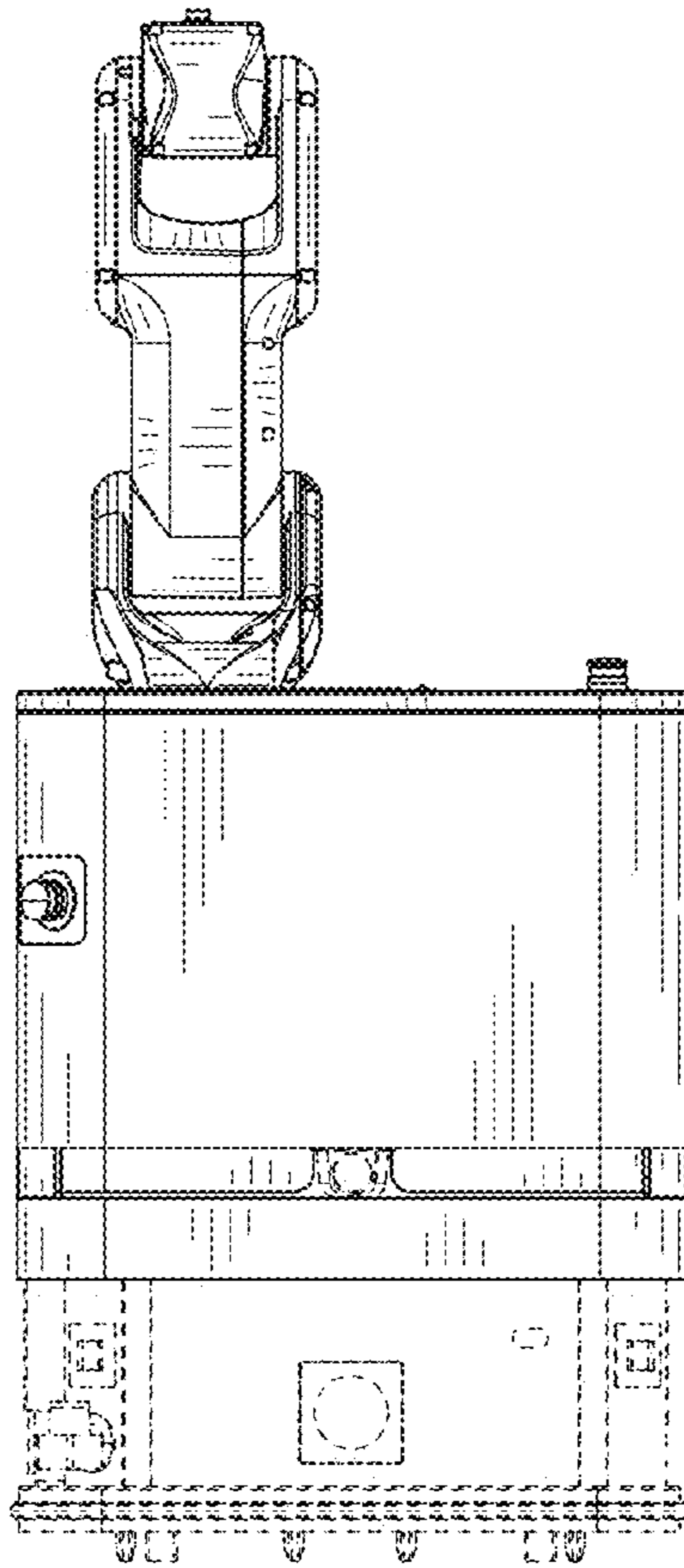


FIG. 25

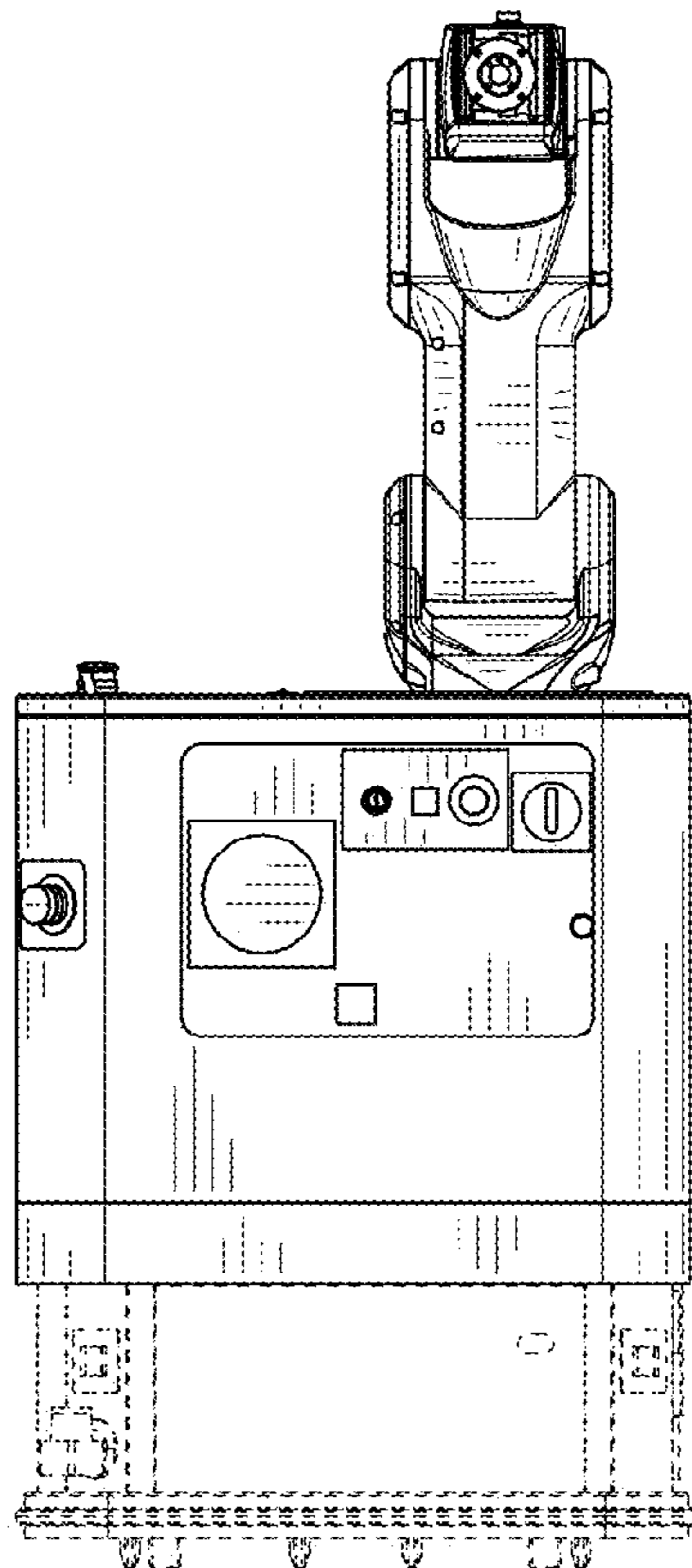


FIG. 26

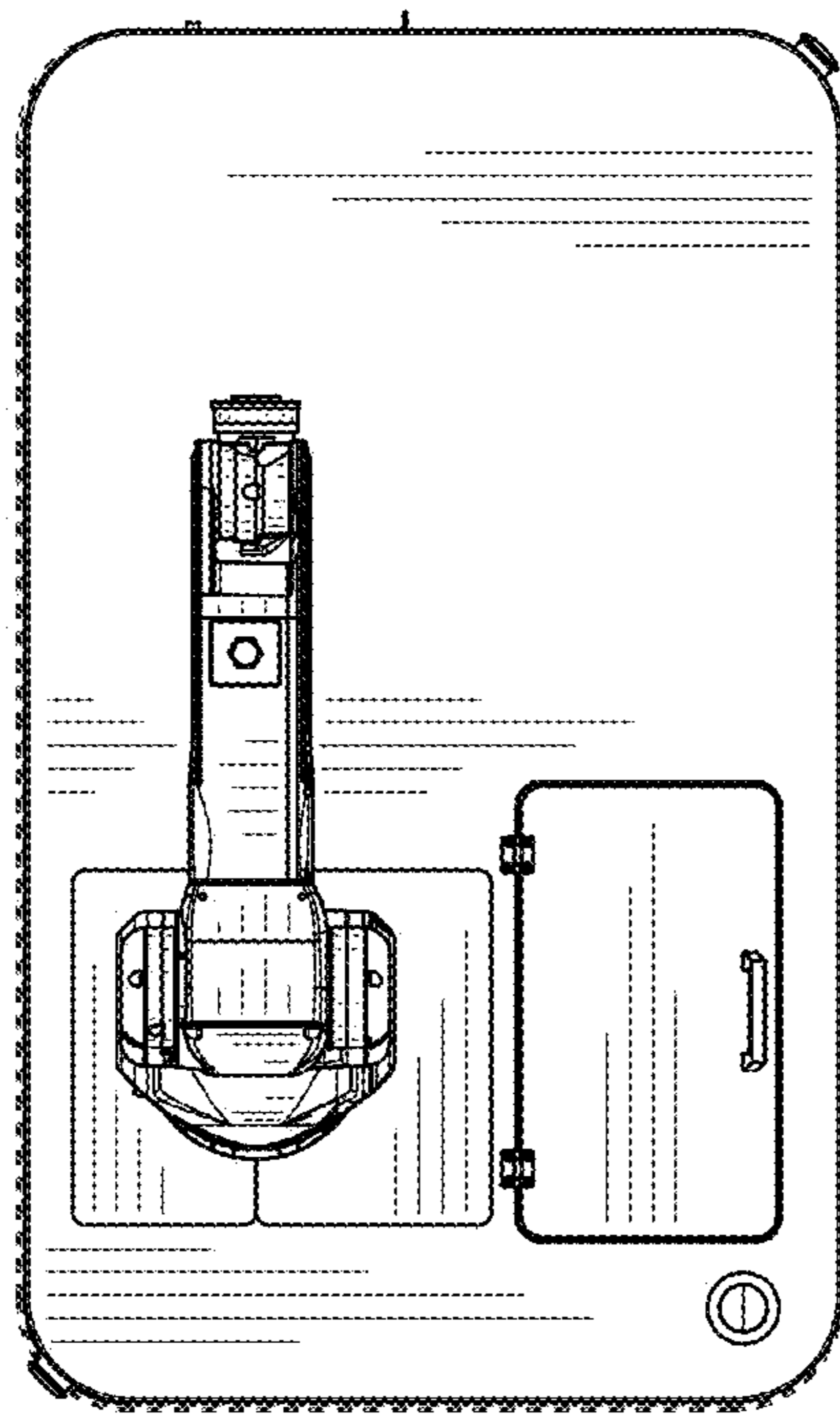


FIG. 27

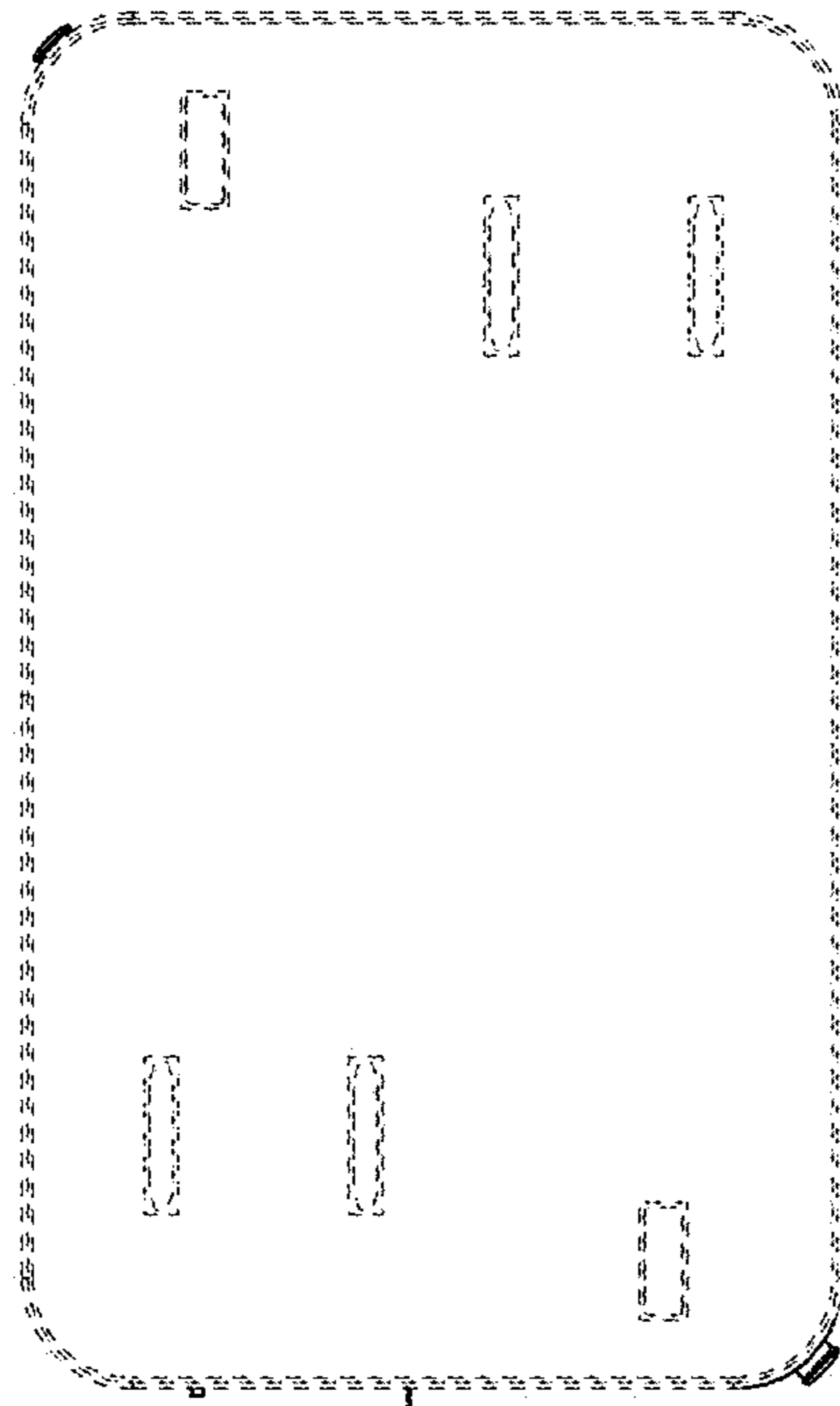


FIG. 28



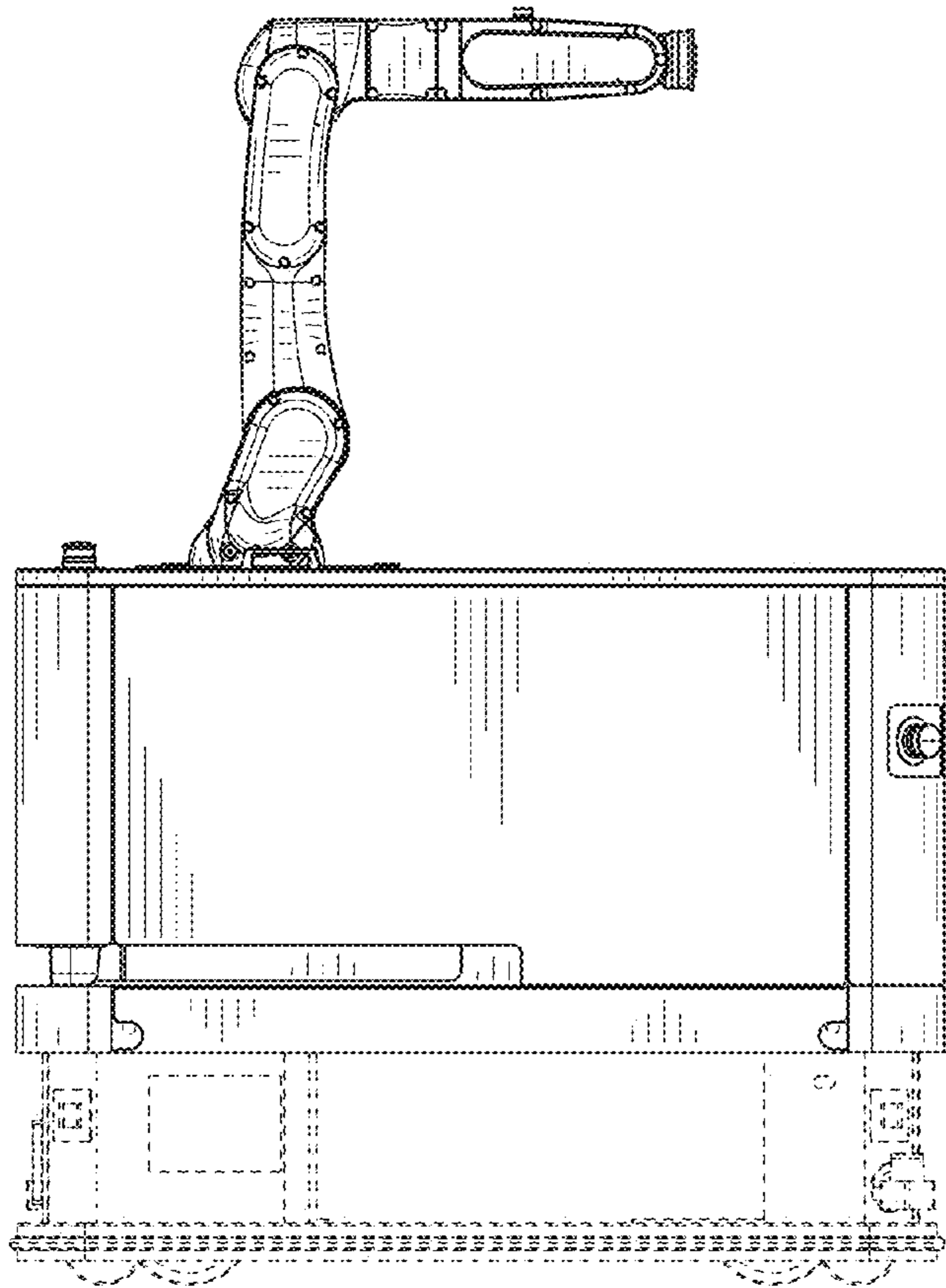


FIG. 29

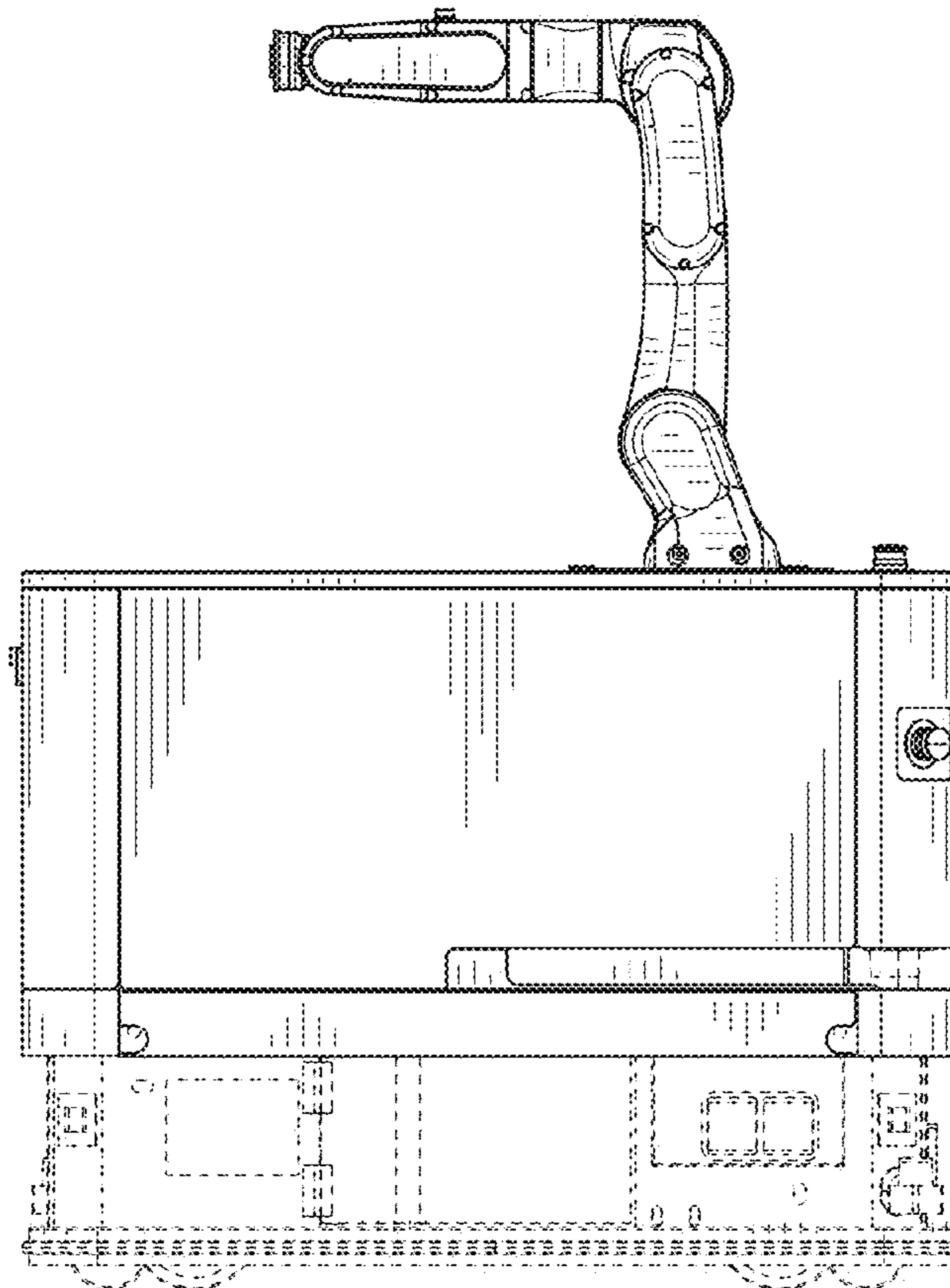


FIG. 30