



US00D934316S

(12) **United States Design Patent**  
**Kremerman**

(10) **Patent No.:** **US D934,316 S**

(45) **Date of Patent:** **\*\* Oct. 26, 2021**

- (54) **SPINNER**
- (71) Applicant: **Elliot Kremerman**, Los Gatos, CA (US)
- (72) Inventor: **Elliot Kremerman**, Los Gatos, CA (US)
- (\*\*) Term: **15 Years**
- (21) Appl. No.: **29/801,901**
- (22) Filed: **Aug. 2, 2021**
- (51) **LOC (13) Cl.** ..... **15-09**
- (52) **U.S. Cl.**  
USPC ..... **D15/138**
- (58) **Field of Classification Search**  
USPC ..... D13/183; D15/122, 138, 147, 199;  
D24/216, 220  
CPC ..... B01D 3/085; B01F 9/0034; B01F 9/10;  
B01F 13/08; B01F 15/065; B01F  
15/00175; B01F 15/06; B01F 2015/062;  
B01L 9/00; C10B 1/10  
See application file for complete search history.

(56) **References Cited**

U.S. PATENT DOCUMENTS

2,459,224 A	1/1949	Hendricks .....	A47J 43/0465 366/274
2,518,758 A	8/1950	Cook .....	B01F 13/0818 366/274
2,619,606 A	11/1952	Morrison, Jr. ....	H02K 49/00 310/103
2,842,654 A	7/1958	Anderson .....	B01L 7/00 219/433
2,951,689 A	9/1960	Asp .....	B01F 13/0818 413/3
3,028,476 A	4/1962	Hug .....	H02K 49/108 219/443.1
3,138,370 A	6/1964	Anderson .....	B01F 13/0818 366/274

3,140,079 A	7/1964	Baermann .....	A47J 43/0465 366/274
3,168,294 A	2/1965	Tadashi .....	B01F 13/0827 366/206
3,206,173 A *	9/1965	Burger .....	B01F 7/00475 366/274
3,211,433 A	10/1965	Chrostowski .....	B01F 13/0818 366/274
3,384,353 A	5/1968	Worth .....	B01F 13/0818 366/274
3,433,465 A	3/1969	Szpur .....	B01F 13/0818 366/149
3,554,497 A	1/1971	Zipperer .....	B01F 13/0818 366/110
3,570,819 A	3/1971	Rosinger .....	B01F 15/00915 366/274

(Continued)

*Primary Examiner* — Patricia A Palasik

(74) *Attorney, Agent, or Firm* — Michael J. Feigin, Esq.;  
Feigin and Fridman LLC

(57) **CLAIM**

The ornamental design for a spinner, as shown and described.

**DESCRIPTION**

FIG. 1 shows a top and side perspective view of a spinner. FIG. 2 shows a reverse bottom and side perspective view thereof.

FIG. 3 shows a first elevation view thereof.

FIG. 4 shows a second elevation view thereof.

FIG. 5 shows a third elevation view thereof.

FIG. 6 shows a fourth elevation view thereof.

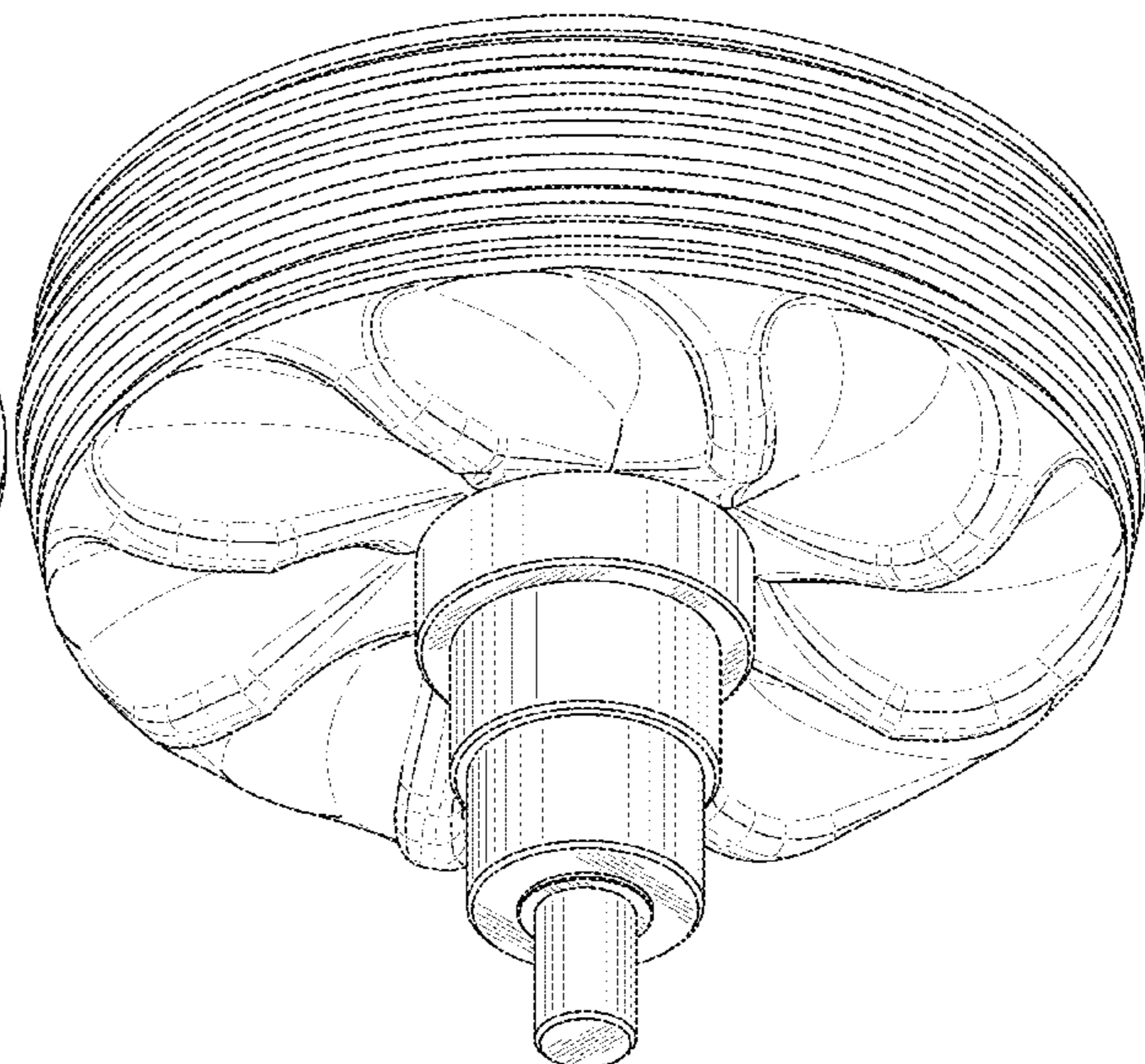
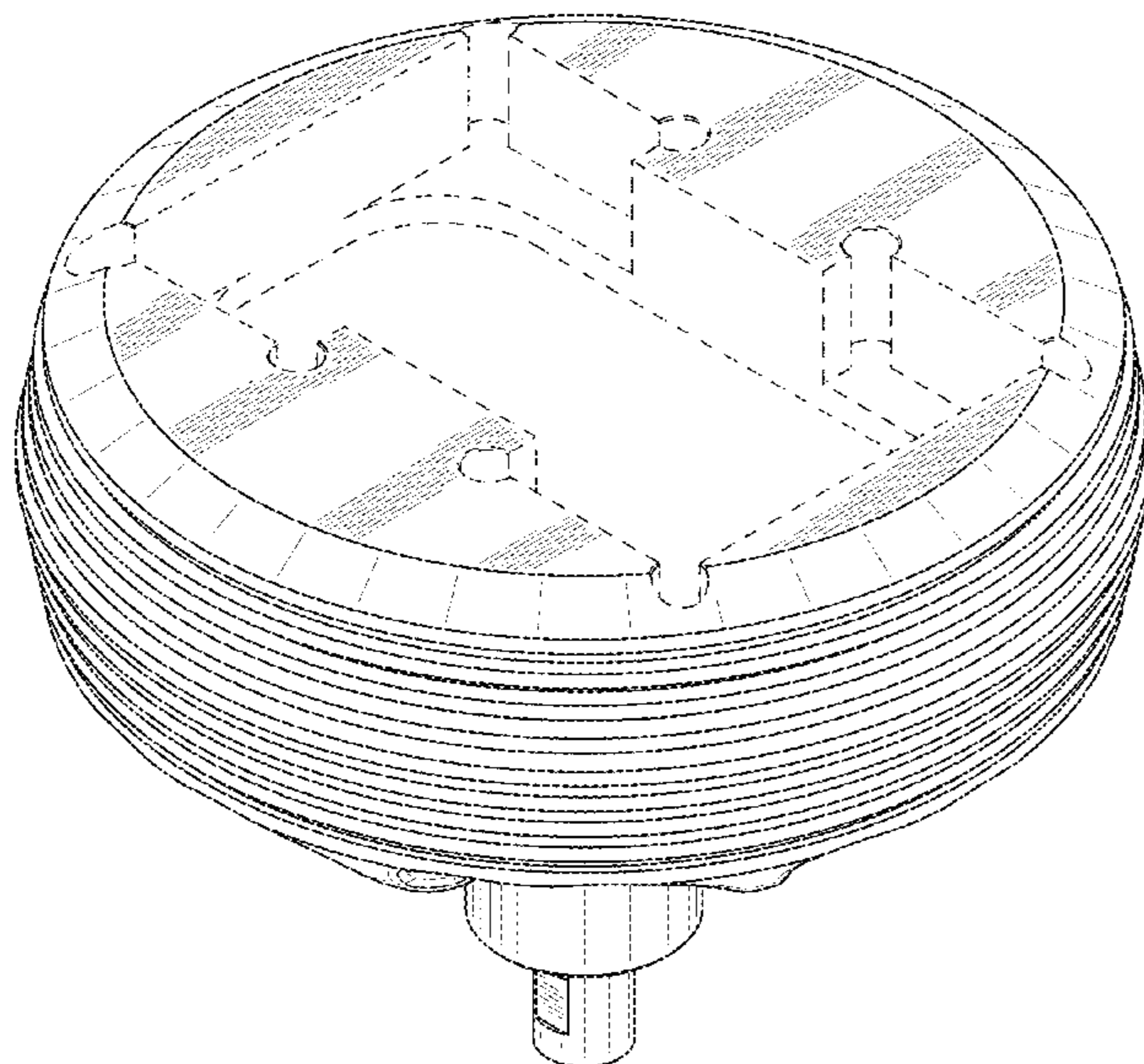
FIG. 7 shows a top plan view thereof.

FIG. 8 shows a bottom plan view thereof; and,

FIG. 9 shows a sectional view cut along section line 9-9 of FIG. 7.

The broken lines represent portions of the spinner which form no part of the claimed design.

**1 Claim, 9 Drawing Sheets**



(56)

References Cited

U.S. PATENT DOCUMENTS

4,162,855 A	7/1979	Bender	.....	A47J 43/0465	6,793,167 B2	9/2004	Karkos, Jr.	.....	A23G 9/045
				366/274					241/101.2
4,199,265 A	4/1980	Sanderson	.....	B01F 13/0818	6,905,656 B1	6/2005	Ladlow	.....	B01F 13/0818
				366/274					366/273
4,568,195 A	2/1986	Herz	.....	B01F 13/0818	7,086,778 B2	8/2006	Terentiev	.....	B01F 7/00908
				366/274					366/273
4,569,632 A	2/1986	Gray, III			D558,888 S	1/2008	Ware	.....	D24/216
4,702,888 A *	10/1987	Borgialli	.....	B01F 15/00396	7,575,498 B2 *	8/2009	Perry	.....	A63H 33/26
				366/307					446/138
4,759,635 A	7/1988	MacMichael	.....	B01F 13/0818	D782,544 S	3/2017	Seto et al.		
				366/247	D831,846 S	10/2018	Fu	.....	D24/232
4,911,555 A	3/1990	Saffer	.....	B01F 13/0818	D848,485 S	5/2019	Kurokawa et al.		
				366/274	D881,998 S	4/2020	Lam	.....	D21/455
4,948,409 A	8/1990	Chenoweth	.....	C03B 37/045	2008/0013400 A1	1/2008	Andrews	.....	B01F 13/0818
				425/8					366/147
4,971,520 A	11/1990	Van Houten			2008/0067164 A1 *	3/2008	Kuo	.....	B23K 3/027
4,993,841 A	2/1991	Lofgren	.....	B01F 13/0827					219/242
				366/274	2013/0114370 A1	5/2013	Ma	.....	B01F 13/0818
5,359,846 A *	11/1994	Miyamoto	.....	D01H 4/40					366/272
				57/417	2014/0376328 A1 *	12/2014	Ikushima	.....	B01F 13/08
5,529,391 A	6/1996	Kindman	.....	B01F 13/0818					366/191
				366/145	2015/0117138 A1 *	4/2015	Pozzan	.....	B28C 5/166
6,039,469 A *	3/2000	Palmer	.....	B01F 7/042					366/145
				366/301	2015/0367302 A1	12/2015	Gebauer	.....	B01F 13/089
D426,312 S	6/2000	Gomes	.....	D24/220					366/274
D446,295 S	8/2001	Williams et al.			2019/0134583 A1 *	5/2019	Lautenschlager	...	B01F 13/0818
6,416,215 B1	7/2002	Terentiev	.....	F16C 32/0438	2019/0246724 A1	8/2019	Adams	.....	A44B 1/04
				366/273	2021/0071671 A1	3/2021	Kremerman	.....	H02K 49/104
					2021/0190074 A1	6/2021	Kremerman	.....	F04D 13/0613

\* cited by examiner

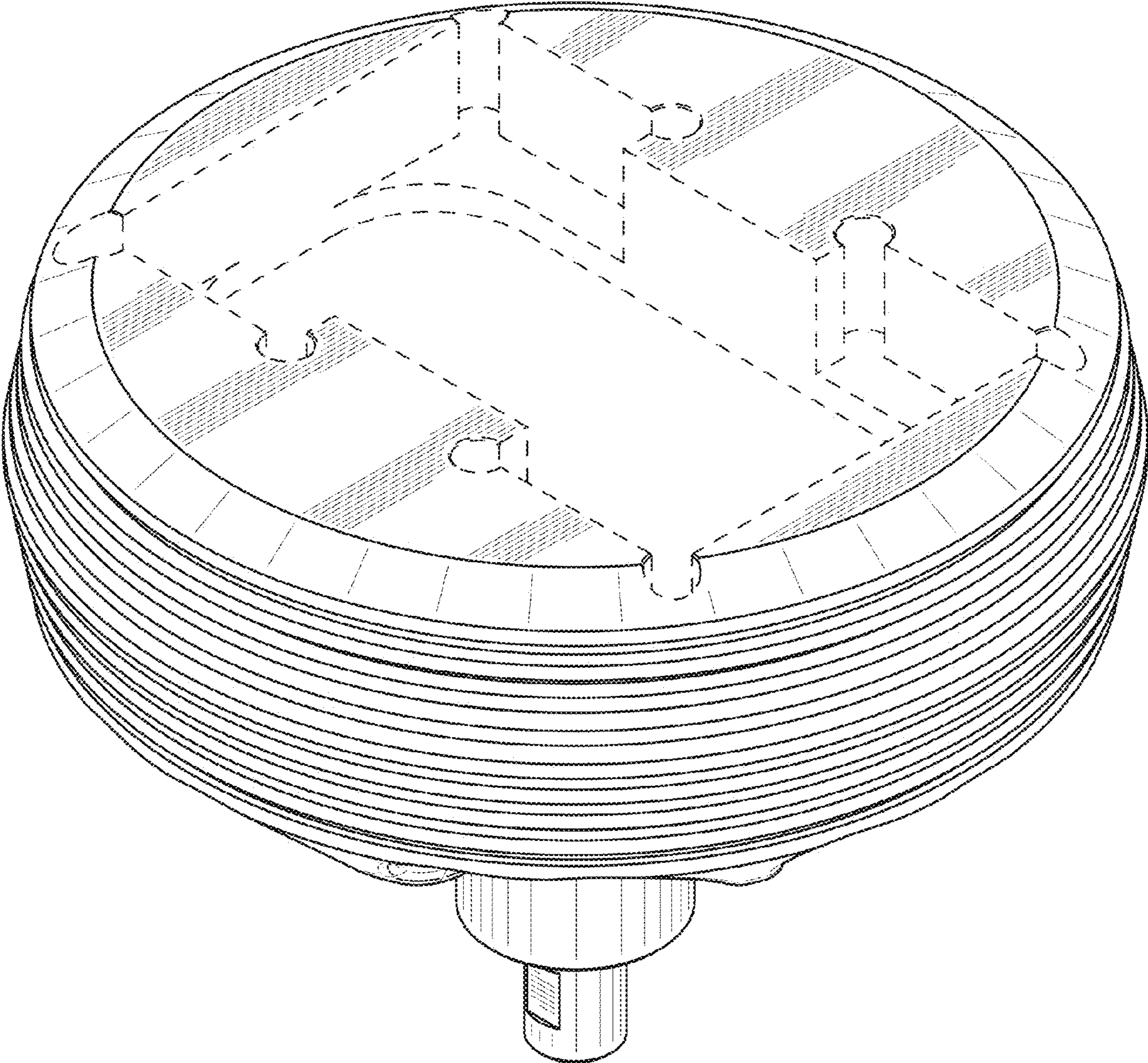


FIG. 1

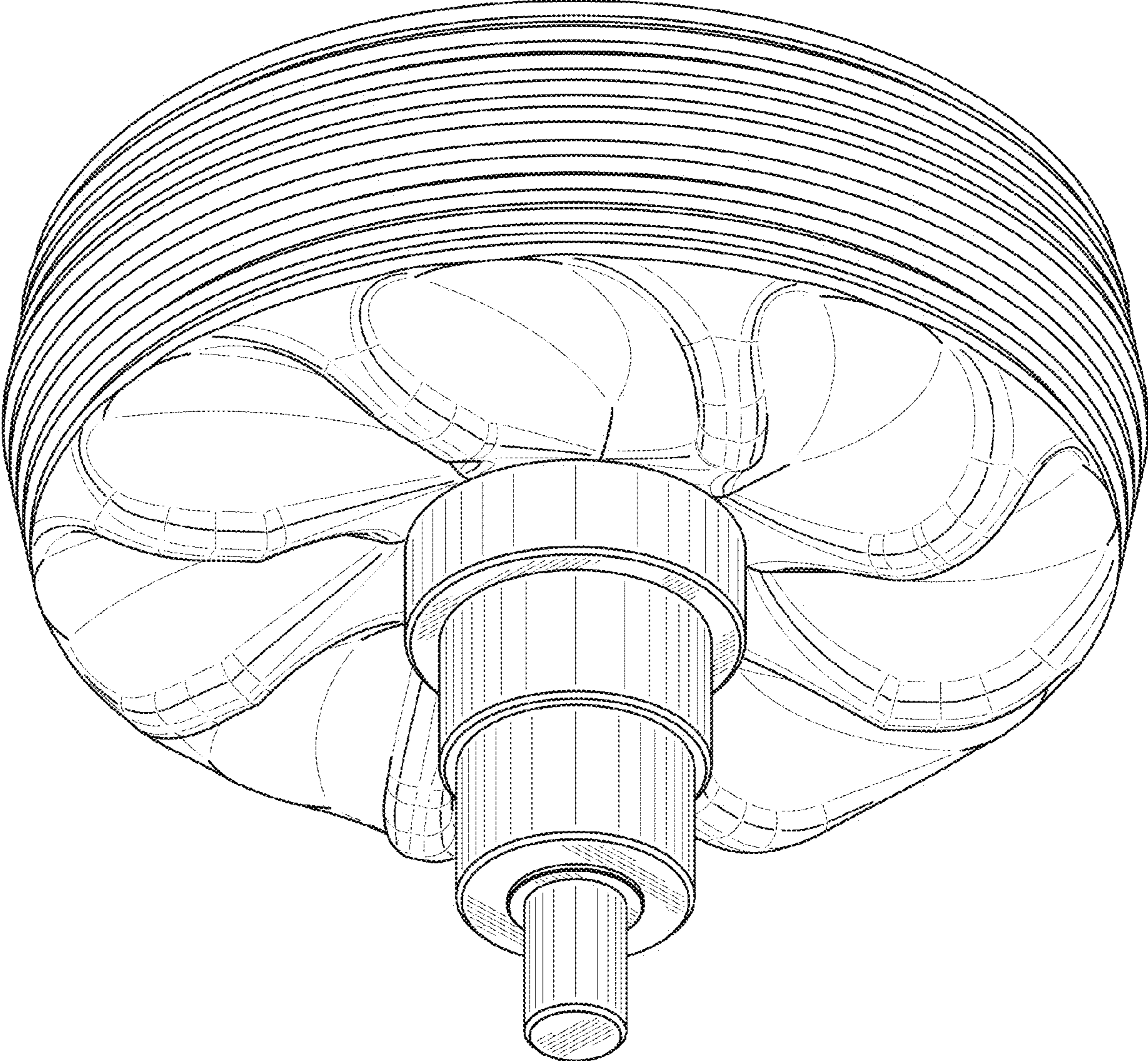


FIG. 2

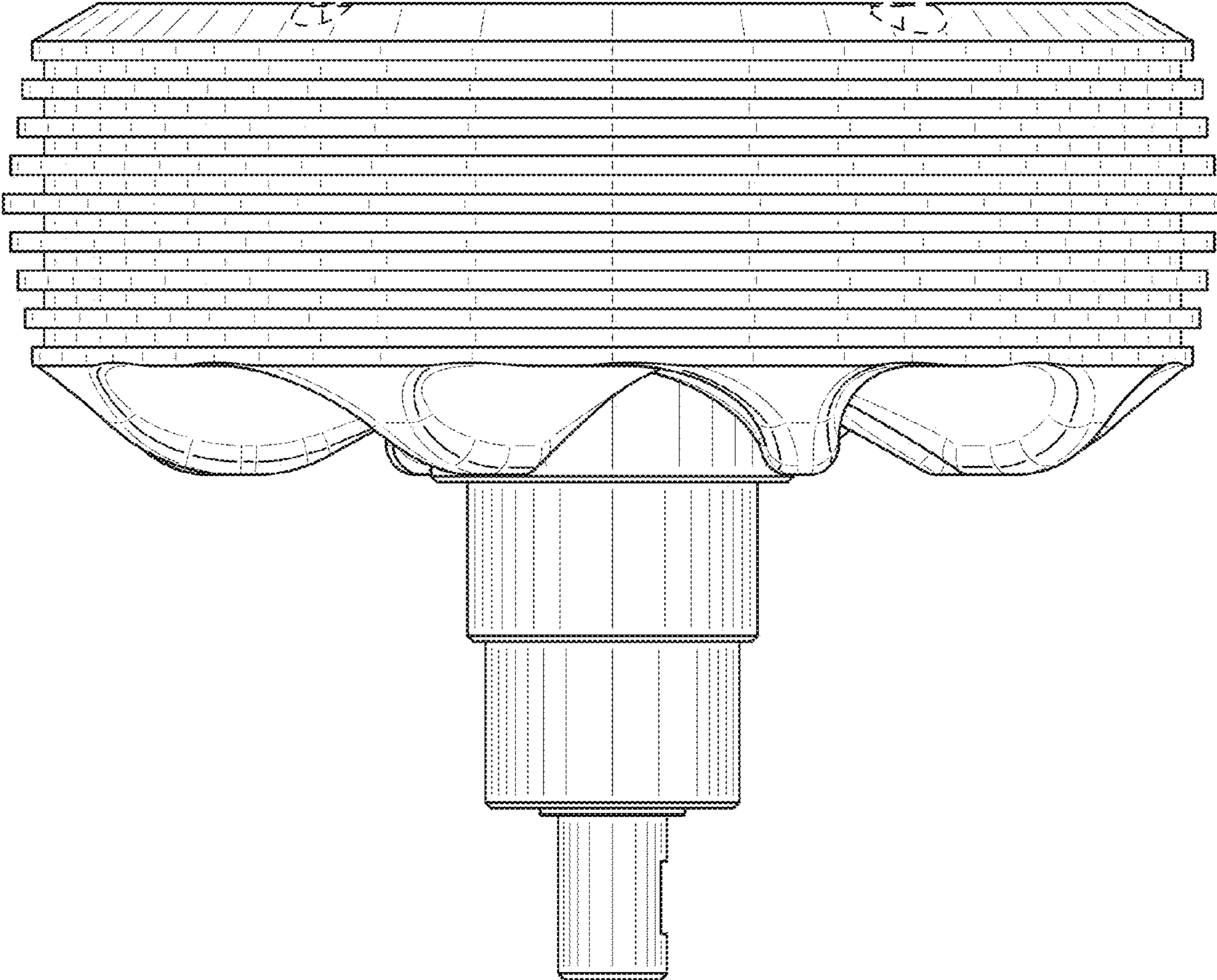


FIG. 3

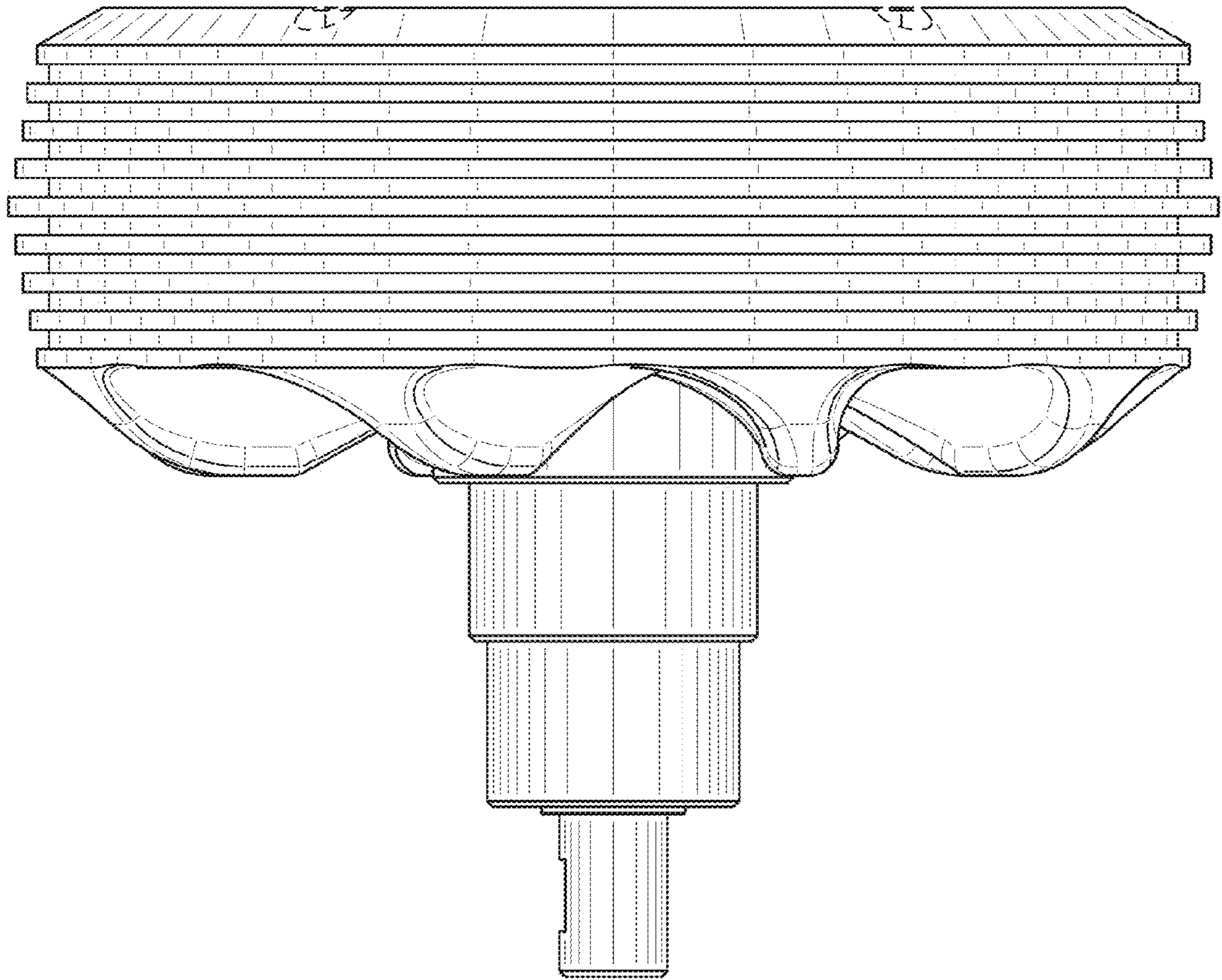


FIG. 4

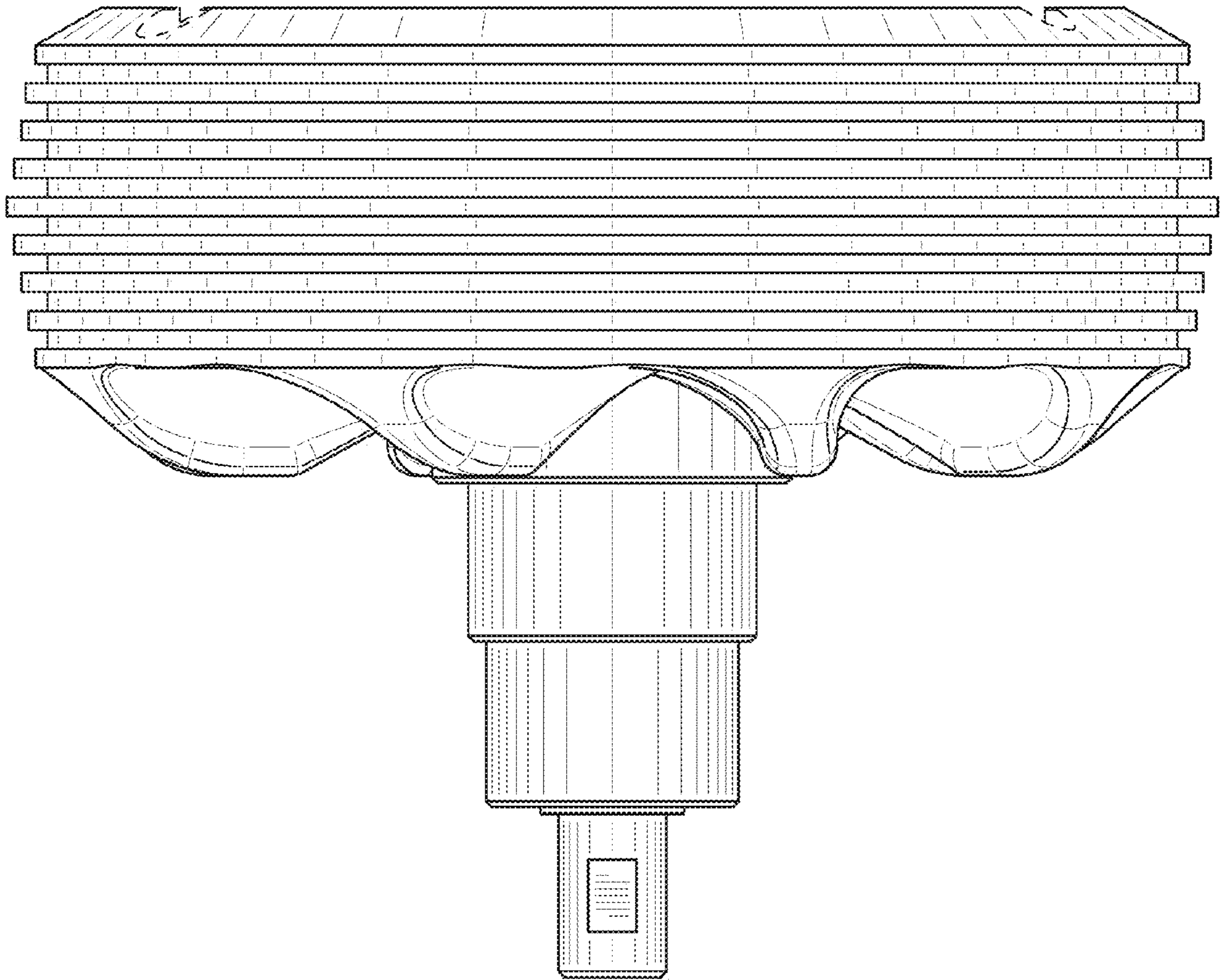


FIG. 5

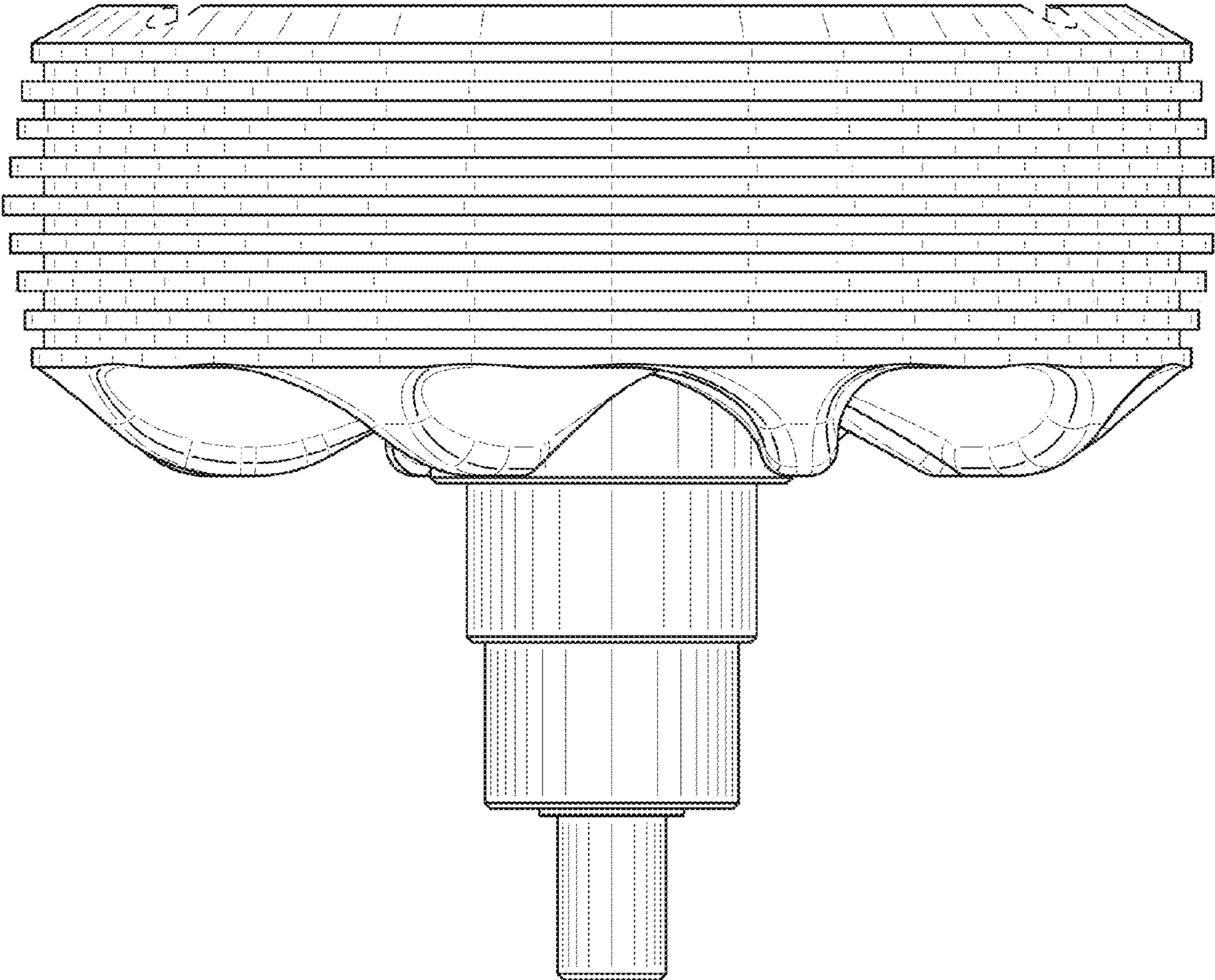


FIG. 6



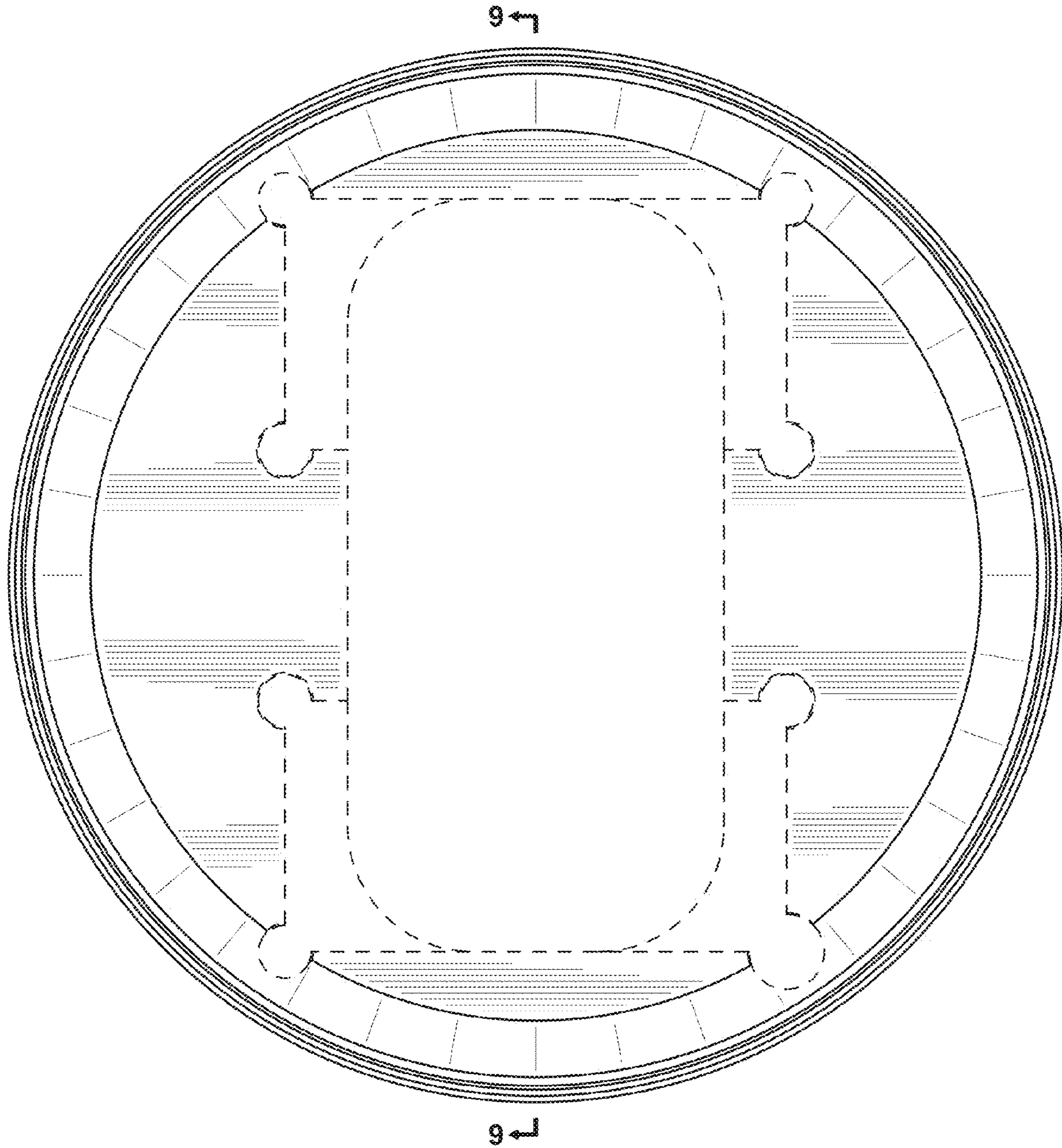


FIG. 7

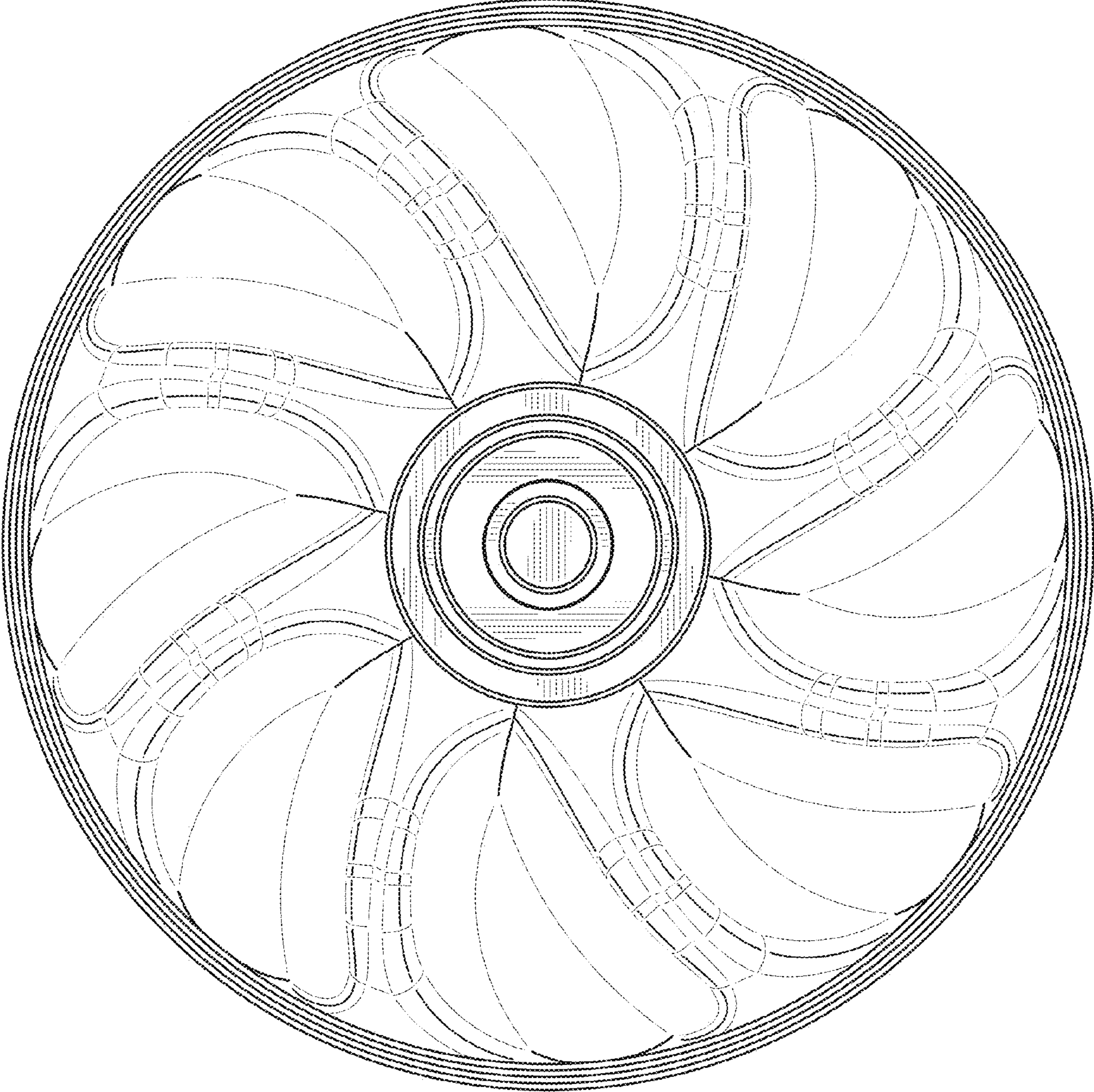


FIG. 8

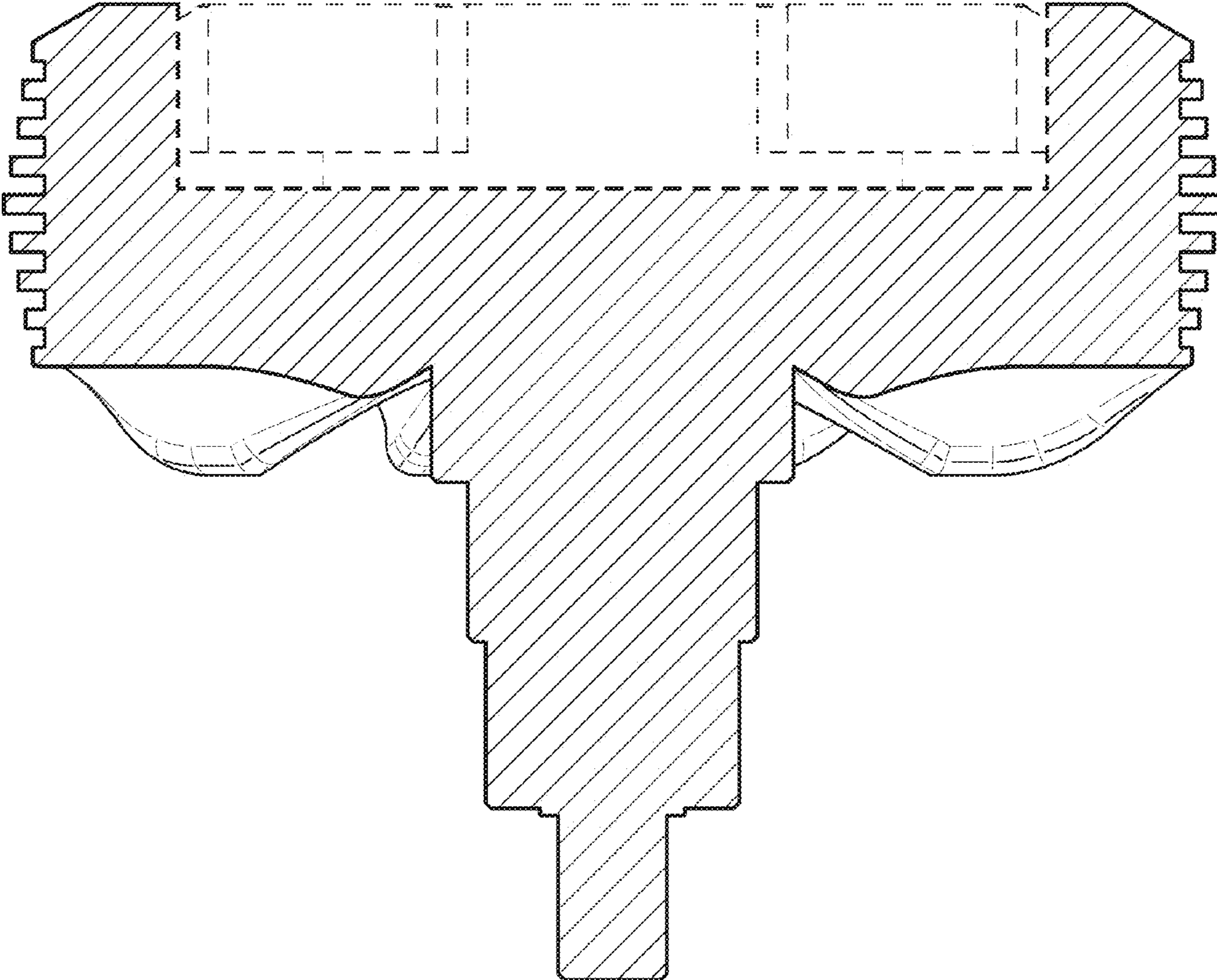


FIG. 9