



US00D934314S

(12) **United States Design Patent** (10) **Patent No.:** **US D934,314 S**  
**Suchman et al.** (45) **Date of Patent:** **\*\* Oct. 26, 2021**

- (54) **DEBRIS CONTAINER**
- (71) Applicant: **iRobot Corporation**, Bedford, MA (US)
- (72) Inventors: **Jason Jeffrey Suchman**, Arlington, MA (US); **Douglas Dell’Accio**, Boston, MA (US); **Andrew Vincent Wolff**, Norfolk, MA (US); **Flavia Pastore**, Wakefield, MA (US)
- (73) Assignee: **iRobot Corporation**, Bedford, MA (US)
- (\*\*) Term: **15 Years**
- (21) Appl. No.: **29/741,453**
- (22) Filed: **Jul. 13, 2020**

3,908,523 A 9/1975 Shikaya  
 4,097,380 A 6/1978 Carlson  
 D250,784 S 1/1979 Dieter  
 4,180,190 A 12/1979 Flaum  
 4,268,567 A 5/1981 Harmony  
 D269,106 S 5/1983 Brown

(Continued)

FOREIGN PATENT DOCUMENTS

JP 2011-041619 3/2011

OTHER PUBLICATIONS

[No Author Listed] “Bosch Part#462544—Genuine Type G MEGA filt SuperTex Vacuum Bag (BBZ51AFG2U)—Fits Bosch Compact Series and Formula Series Vacuums—5/Package,” Dec. 29, 2011, retrieved on May 10, 2018, retrieved from URL <<https://www.amazon.com/Bosch-Part-462544-MEGAfilt-BBZ51AFG2U/dp/B000UM2ENE/>>, 8 pages.

(Continued)

**Related U.S. Application Data**

- (63) Continuation of application No. 29/646,577, filed on May 4, 2018, now Pat. No. Des. 890,231.
- (51) **LOC (13) Cl.** ..... **15-09**
- (52) **U.S. Cl.**  
USPC ..... **D15/122; D32/31**
- (58) **Field of Classification Search**  
USPC ..... D15/122, 132, 138, 199; D32/31, 35  
CPC ..... A01G 20/43; B08B 15/002; E01H 1/0836  
See application file for complete search history.

*Primary Examiner* — Patricia A Palasik  
(74) *Attorney, Agent, or Firm* — Fish & Richardson P.C.

(57) **CLAIM**

The ornamental design for a debris container, substantially as shown and described.

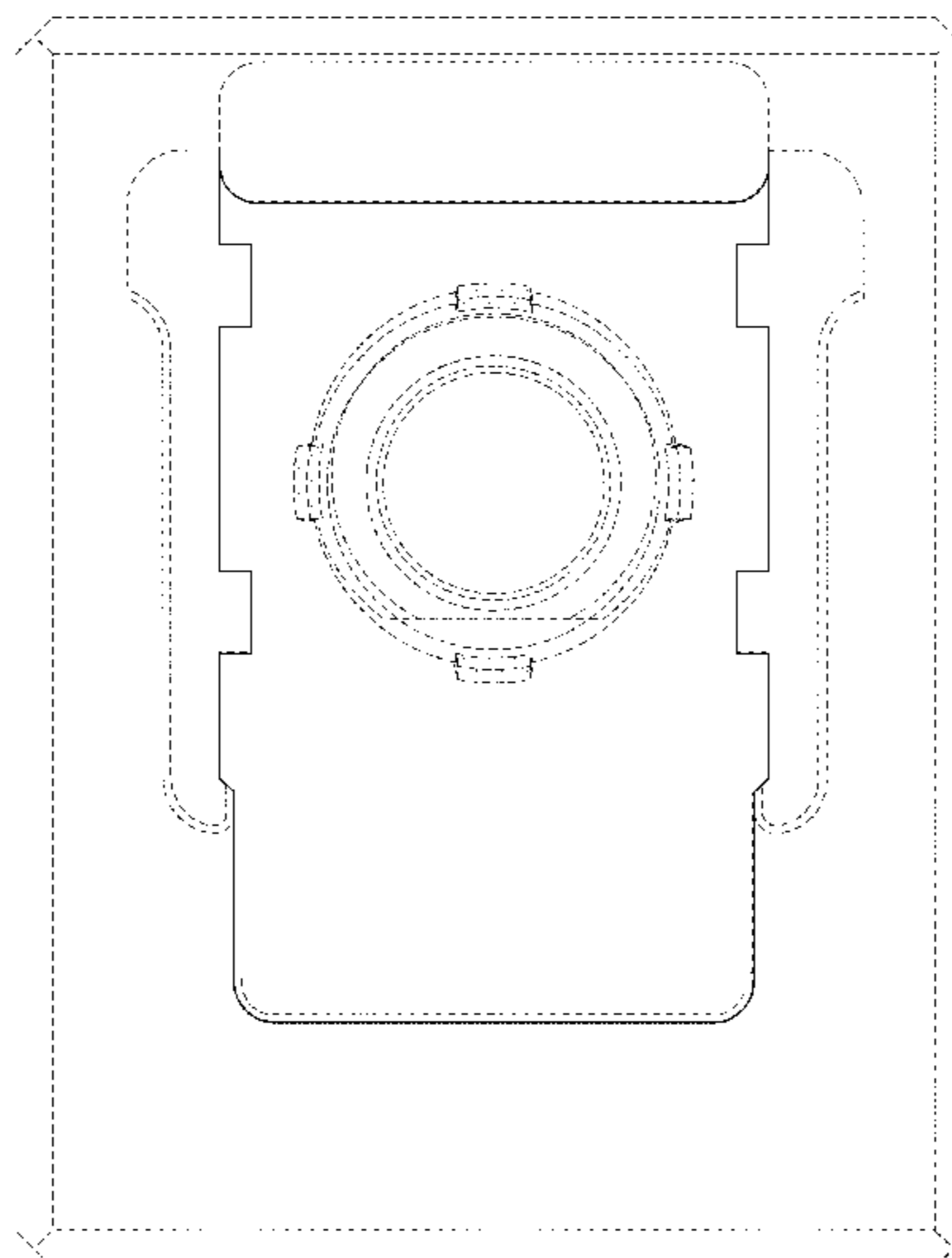
**DESCRIPTION**

FIG. 1 is a perspective view of the debris container.  
 FIG. 2 is a front view thereof.  
 FIG. 3 is a back view thereof.  
 FIG. 4 is right side view thereof.  
 FIG. 5 is left side view thereof.  
 FIG. 6 is top view thereof; and,  
 FIG. 7 is bottom view thereof.  
 The broken lines illustrate environmental features that form no part of the claimed design.

(56) **References Cited**  
U.S. PATENT DOCUMENTS

1,827,496 A	10/1931	Vanderwilt	
D94,196 S	1/1935	Frantz	
2,161,935 A	6/1939	Inez	
2,426,475 A	8/1947	Van	
2,464,069 A	3/1949	Benson	
2,831,948 A	4/1958	Fraser	
3,082,900 A	3/1963	Goodman	
3,327,937 A *	6/1967	Casady	..... A47L 9/14 232/43.2
3,722,808 A	3/1973	Brown	

**1 Claim, 7 Drawing Sheets**



(56)

References Cited

U.S. PATENT DOCUMENTS

4,402,195 A 9/1983 Campbell  
 4,488,883 A 12/1984 Philip  
 4,560,176 A 12/1985 Hoff  
 4,570,454 A 2/1986 Campbell  
 D288,373 S 2/1987 Alanis  
 5,180,162 A 1/1993 Browne  
 D344,317 S 2/1994 Petersheim  
 5,581,842 A 12/1996 Seith  
 5,688,298 A \* 11/1997 Bosses ..... A47L 9/1454  
 15/350  
 5,690,711 A \* 11/1997 Bosses ..... B01D 46/02  
 55/380  
 6,076,226 A 6/2000 Reed  
 6,158,612 A 12/2000 Alpert  
 6,389,329 B1 5/2002 Colens  
 6,409,608 B1 6/2002 Garske  
 D476,587 S 7/2003 Carter  
 6,748,297 B2 6/2004 Song et al.  
 7,031,805 B2 4/2006 Lee et al.  
 7,055,210 B2 6/2006 Keppler et al.  
 D524,497 S 7/2006 Bruneau  
 D532,071 S 11/2006 VanDeusen  
 D536,091 S 1/2007 Biener  
 D576,365 S 9/2008 Wishney  
 D577,117 S 9/2008 Biener  
 D580,849 S 11/2008 Burger  
 D584,787 S 1/2009 Brittingham  
 D585,518 S 1/2009 Brittingham  
 D596,465 S 7/2009 Faulkner  
 D597,264 S 7/2009 Hsieh  
 7,615,109 B2 \* 11/2009 Sepke ..... A47L 7/04  
 55/376  
 D613,854 S 4/2010 Young  
 D645,561 S 9/2011 Hermann  
 8,092,562 B2 1/2012 Sauer et al.  
 8,167,165 B1 5/2012 Peterson  
 D661,902 S 6/2012 Italiano  
 8,528,157 B2 9/2013 Schnittman et al.  
 D692,160 S 10/2013 Judson

D714,461 S 9/2014 Judson  
 9,027,199 B2 5/2015 Jung et al.  
 D762,422 S 8/2016 Coplin  
 9,462,920 B1 10/2016 Morin et al.  
 D890,231 S 7/2020 Suchman  
 2002/0104845 A1 8/2002 Beuke  
 2002/0179617 A1 12/2002 Barthlow  
 2003/0182908 A1 \* 10/2003 Zimet ..... A47L 9/1427  
 55/374  
 2004/0163205 A1 5/2004 Albert et al.  
 2005/0072475 A1 \* 4/2005 Seo ..... F16K 15/144  
 137/512.15  
 2005/0150519 A1 7/2005 Keppler et al.  
 2006/0278087 A1 \* 12/2006 Sepke ..... A47L 7/04  
 96/223  
 2007/0074367 A1 \* 4/2007 Bosses ..... A47L 9/1427  
 15/352  
 2007/0113528 A1 5/2007 Knth  
 2007/0138188 A1 6/2007 Mace  
 2007/0226949 A1 10/2007 Hahm et al.  
 2008/0201895 A1 8/2008 Kim et al.  
 2008/0235897 A1 10/2008 Kim et al.  
 2009/0049640 A1 2/2009 Lee et al.  
 2009/0257688 A1 \* 10/2009 Calvo ..... B65D 33/2508  
 383/103  
 2010/0252190 A1 10/2010 Iagulli  
 2011/0126377 A1 \* 6/2011 Bosses ..... A47L 9/1436  
 15/347  
 2012/0011677 A1 1/2012 Jung et al.  
 2012/0304415 A1 \* 12/2012 Bosses ..... A47L 9/1472  
 15/347  
 2013/0298350 A1 11/2013 Schnittman et al.  
 2016/0166126 A1 6/2016 Morin et al.  
 2016/0183752 A1 6/2016 Morin et al.

OTHER PUBLICATIONS

[No Author Listed] "Staubaugerbeutel Von Kobold," retrieved on May 10, 2018, retrieved from URL <<https://kobold.vorwerk.de/staubsaugerbeutel/>>, 49 pages (English Translation).

\* cited by examiner

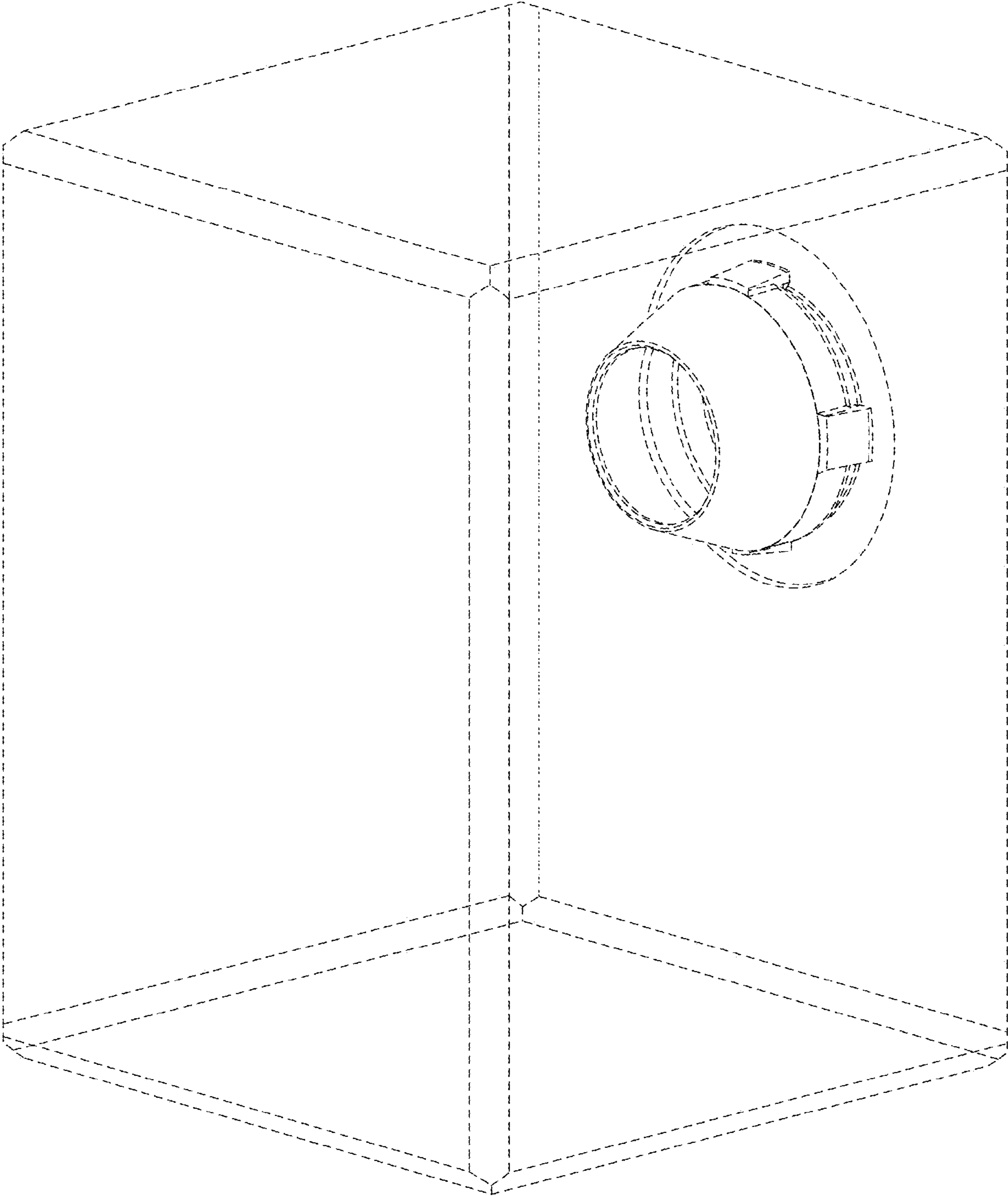


FIG. 1

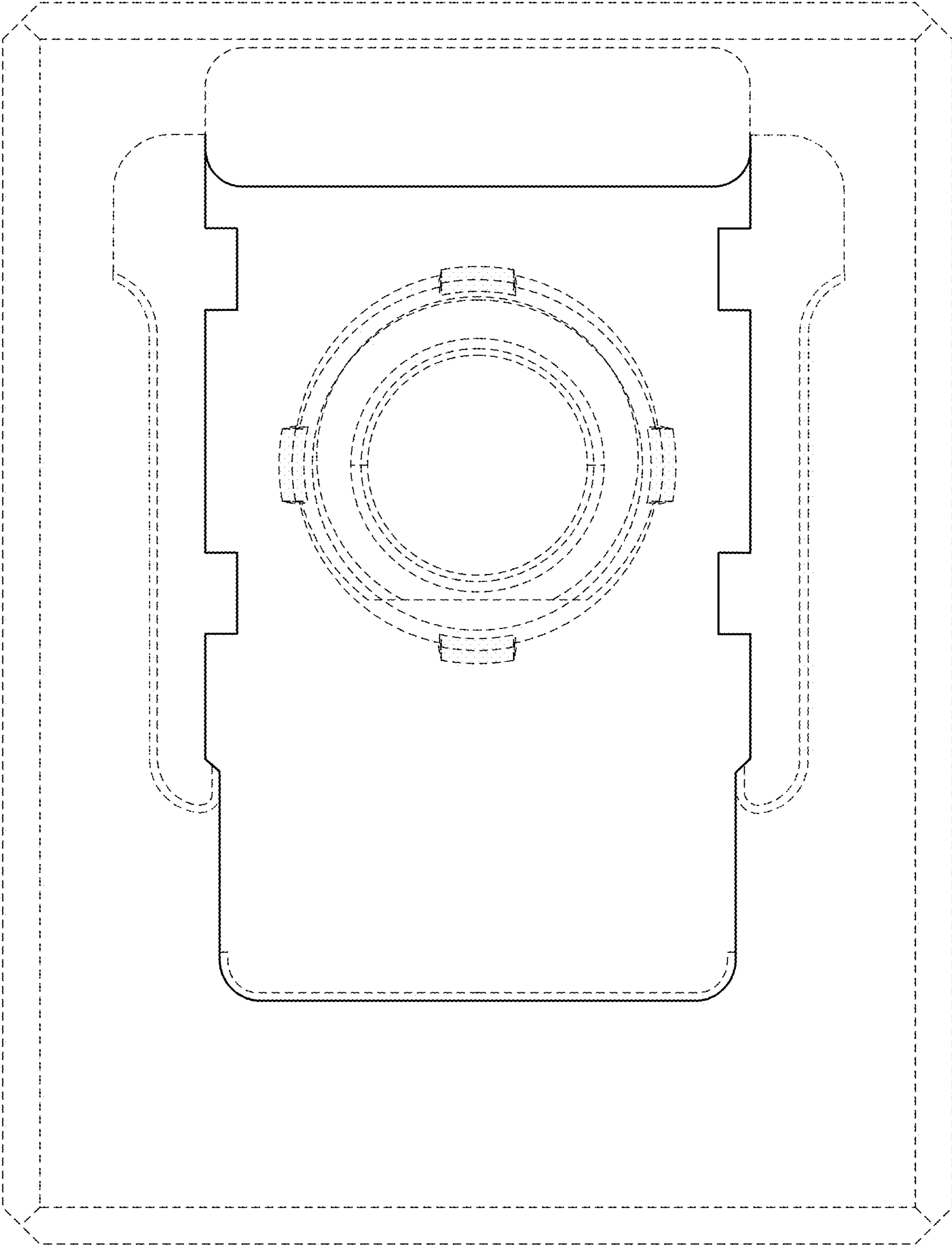


FIG. 2

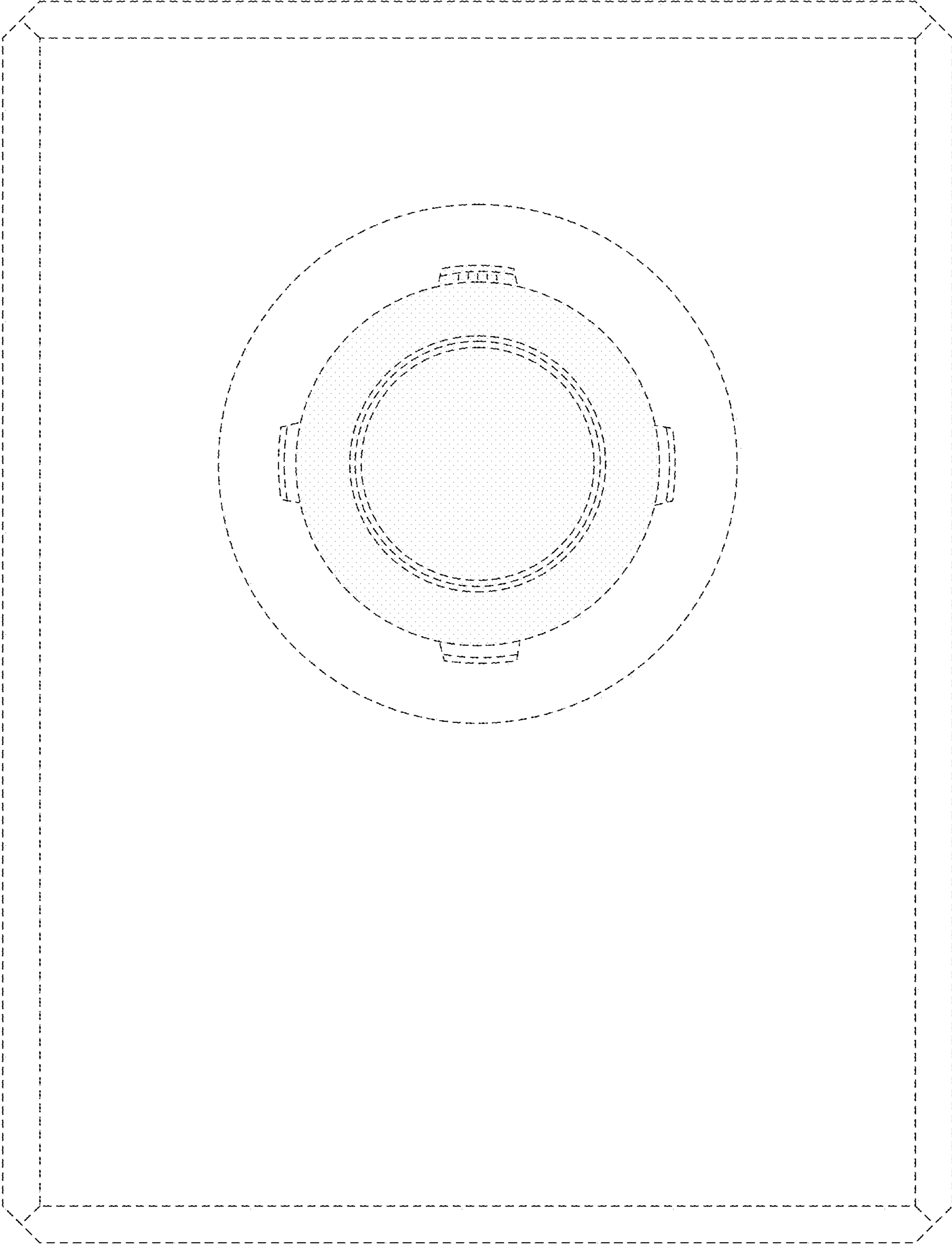


FIG. 3

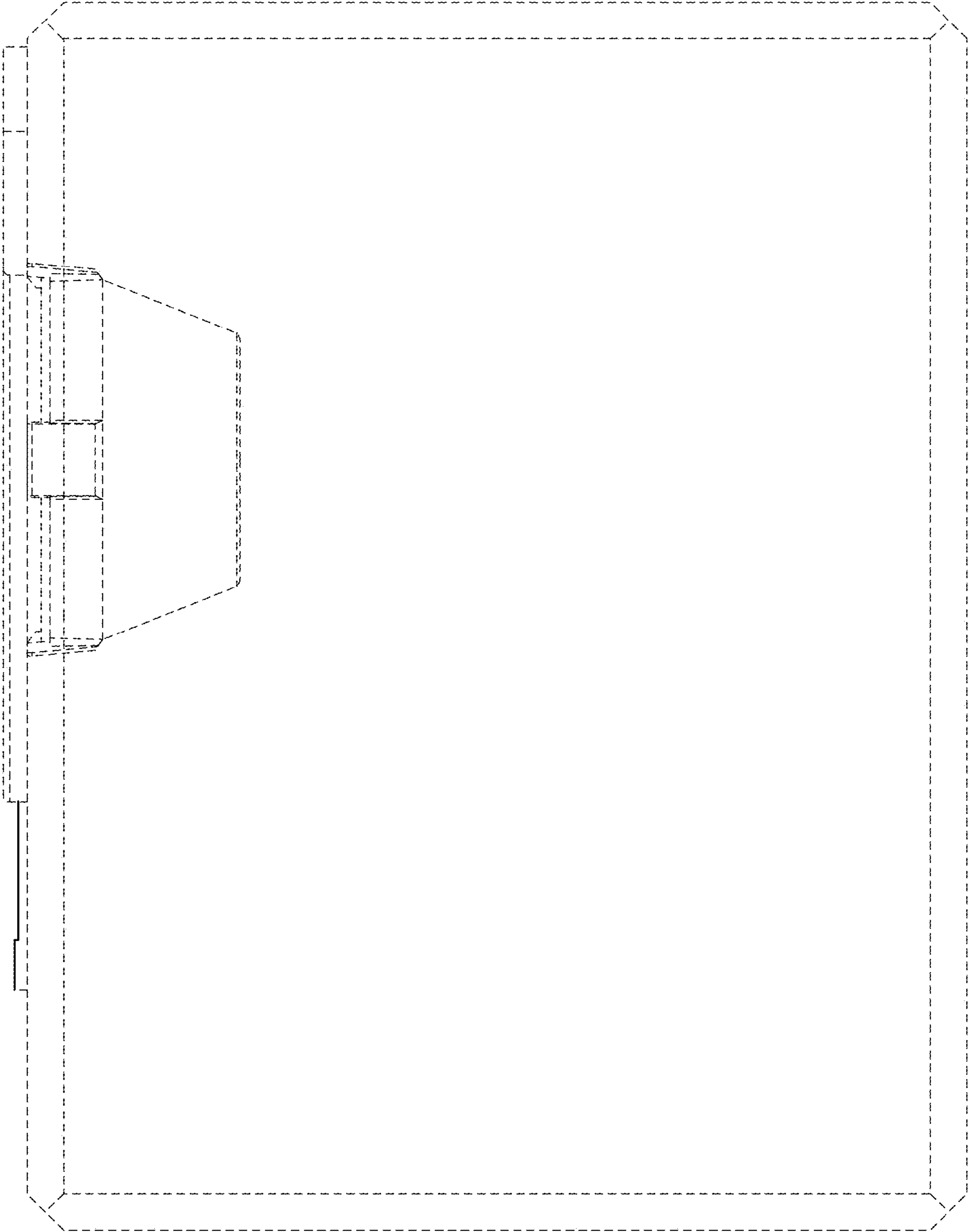


FIG. 4

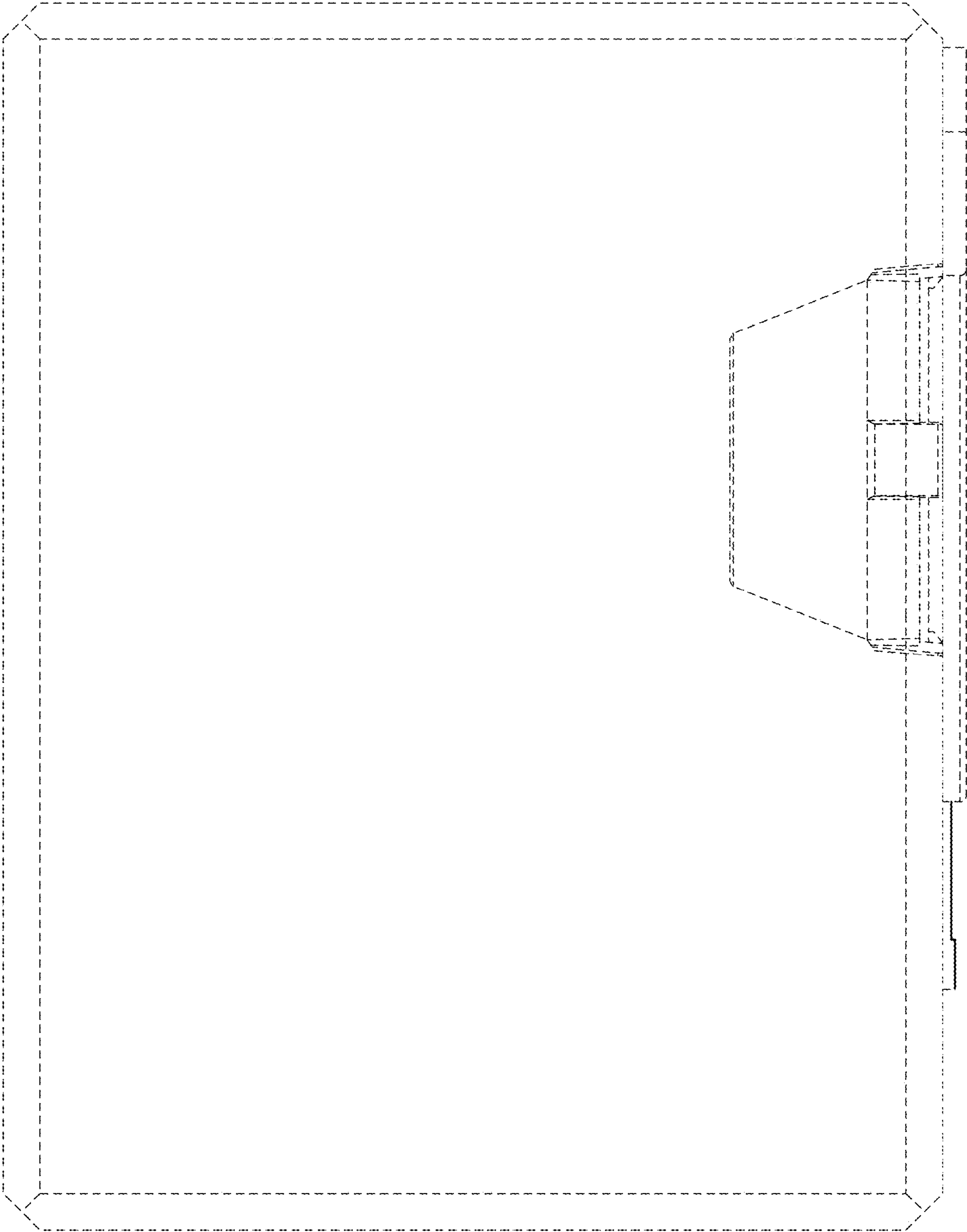


FIG. 5

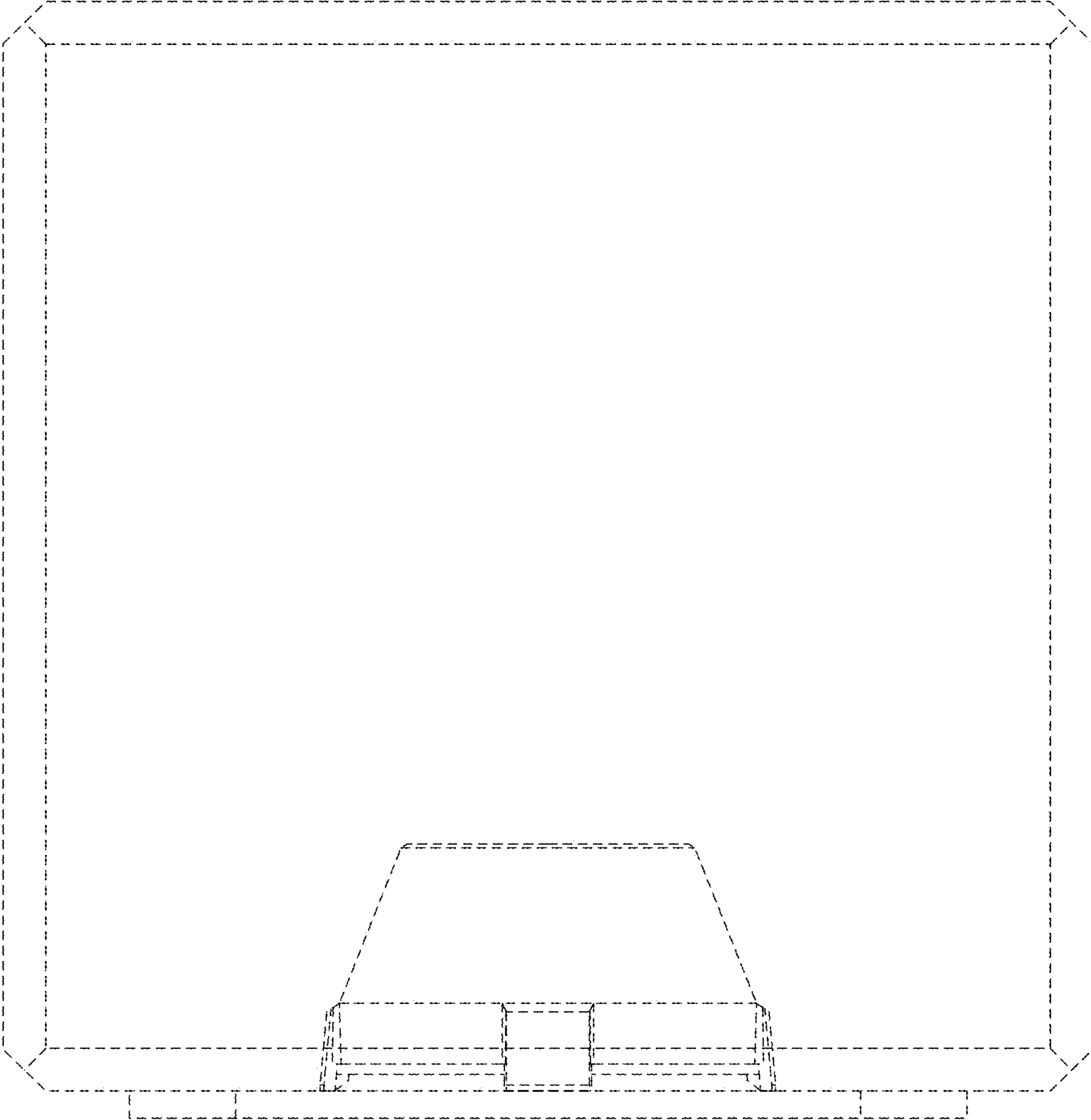


FIG. 6



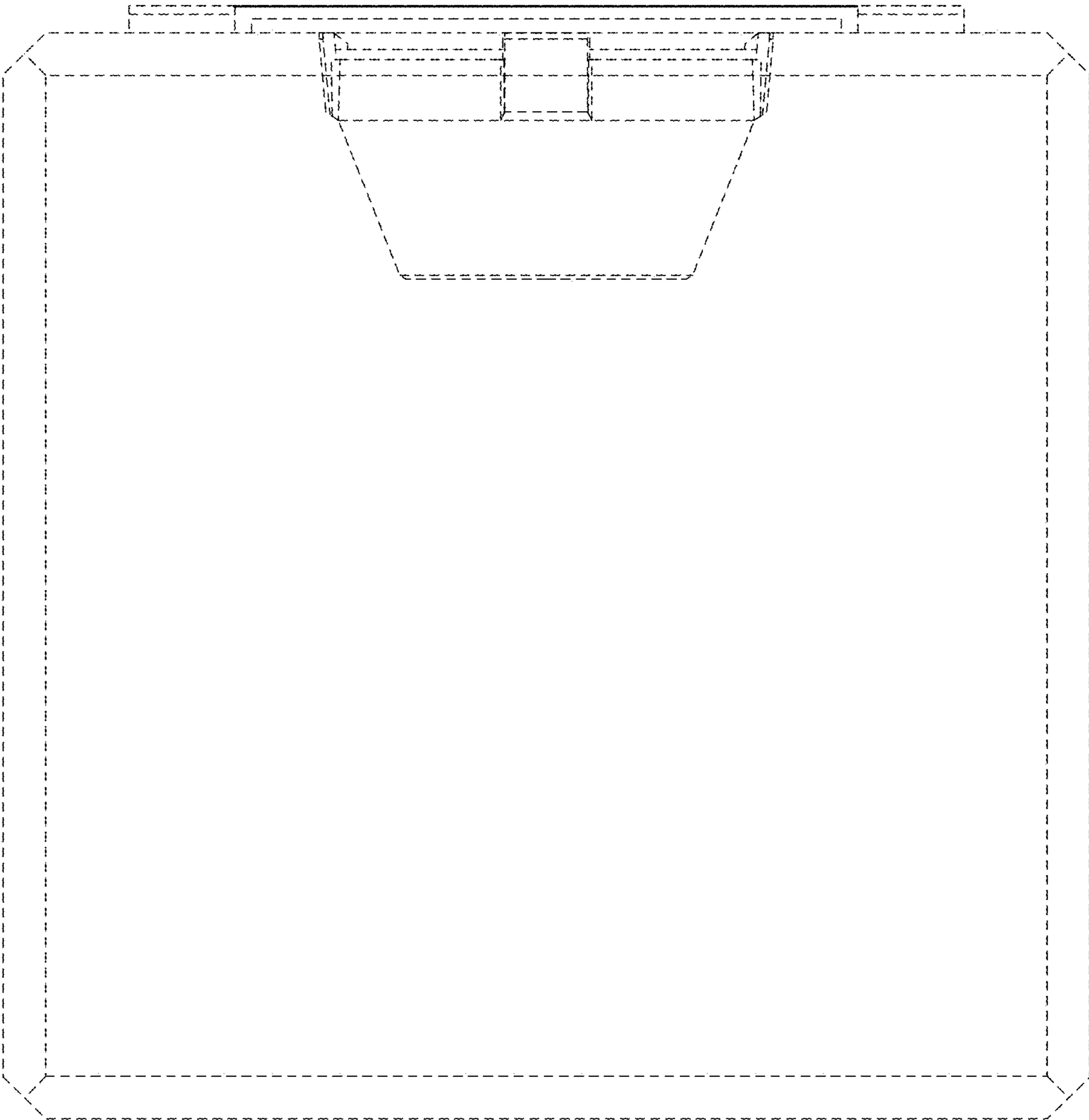


FIG. 7