



US00D934313S

(12) **United States Design Patent** (10) **Patent No.:** **US D934,313 S**
Reches et al. (45) **Date of Patent:** **** Oct. 26, 2021**

- (54) **POWDER SIFTER**
- (71) Applicant: **Formlabs, Inc.**, Somerville, MA (US)
- (72) Inventors: **Yoav Reches**, Cambridge, MA (US);
John Ouchterlony, Cambridge, MA (US); **Kat Ely**, Somerville, MA (US);
Adam Lebovitz, Cambridge, MA (US); **Brian Chan**, Cambridge, MA (US); **Ian Ferguson**, Cambridge, MA (US)
- (73) Assignee: **Formlabs, Inc.**, Somerville, MA (US)
- (**) Term: **15 Years**
- (21) Appl. No.: **29/690,390**
- (22) Filed: **May 7, 2019**
- (51) **LOC (13) Cl.** **15-09**
- (52) **U.S. Cl.**
USPC **D15/122**
- (58) **Field of Classification Search**
USPC D15/20, 21, 83, 122-125, 135, 141,
D15/141.1, 145, 147, 199; D34/1.1;
D7/339, 374, 386, 667, 668; D25/33;
D99/99
CPC ... B24C 9/00; B01F 5/06; B08B 15/02; B07B
1/22; B05C 15/00
See application file for complete search history.

- 4,603,925 A * 8/1986 Cuevas-Cumming
A47B 21/00
312/196
- D286,643 S * 11/1986 Carney D15/123
- D303,439 S * 9/1989 Savio D99/28
- (Continued)

OTHER PUBLICATIONS

Formlabs, Fuse Sift "All-In-One Powder Recovery for the Fuse 1", (site visited May 6, 2021), Formlabs.com, URL:<https://formlabs.com/post-processing/fuse-sift/> (Year: 2021).*
(Continued)

Primary Examiner — Sheryl Lane
Assistant Examiner — Mark T. Philipps
(74) *Attorney, Agent, or Firm* — Wolf, Greenfield & Sacks, P.C.

(57) **CLAIM**

The ornamental design for a powder sifter, as shown and described.

DESCRIPTION

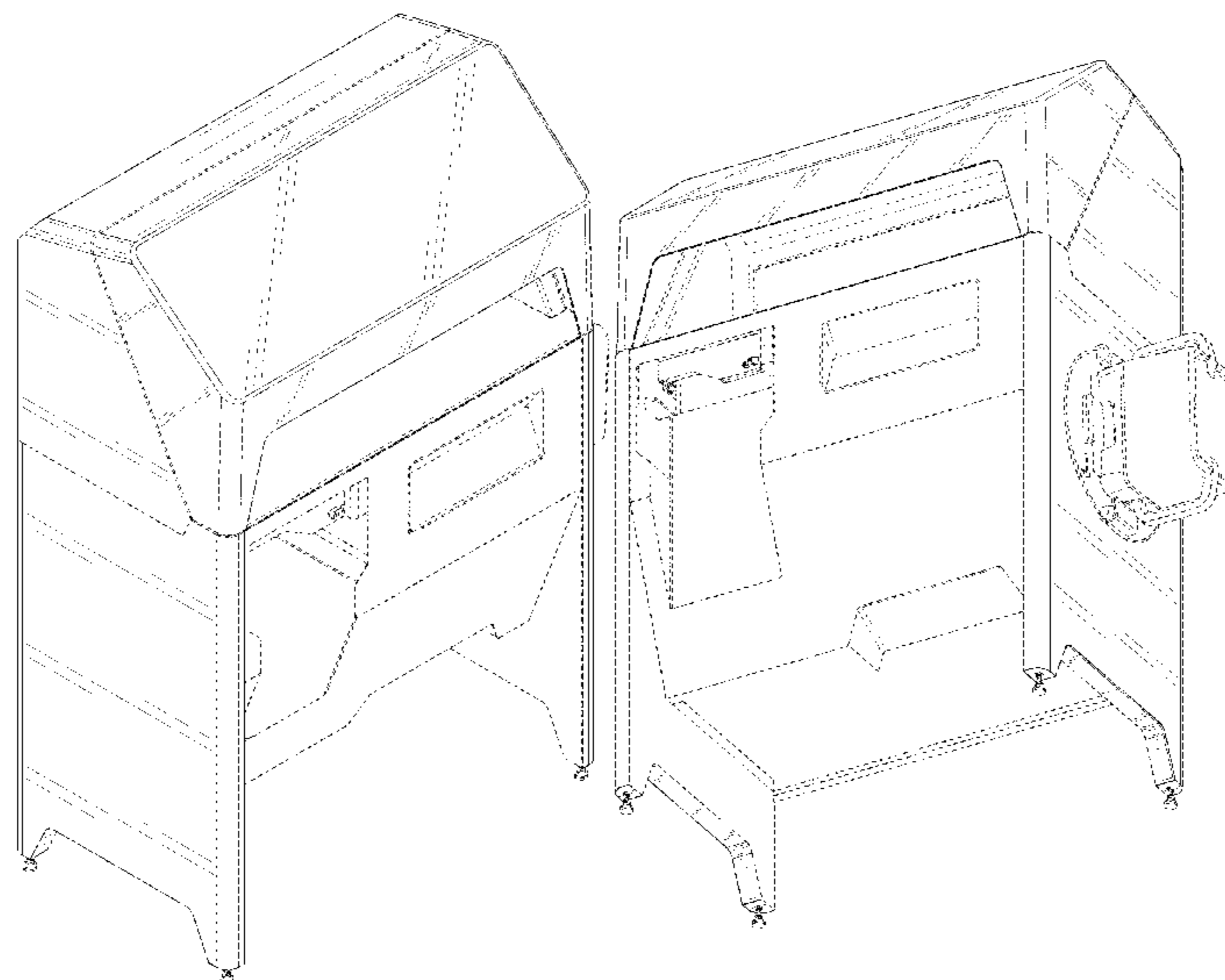
FIG. 1 is a top, front, left side perspective view of a powder sifter according to our new design;
FIG. 2 is a front elevation view thereof;
FIG. 3 is a rear elevation view thereof;
FIG. 4 is a left side elevation view thereof;
FIG. 5 is a right side elevation view thereof;
FIG. 6 is a top plan view thereof;
FIG. 7 is a bottom plan view thereof; and,
FIG. 8 is a bottom, front, right side view thereof.
The dash-dash broken lines illustrate portions of the powder sifter that form no part of the claimed design. The dot-dash broken lines represent boundaries of the claimed design and form no part of the claimed design.
The diagonal shading represents a transparent or translucent appearance.

1 Claim, 8 Drawing Sheets

(56) **References Cited**

U.S. PATENT DOCUMENTS

- 2,163,766 A * 6/1939 Spencer B01F 5/06
209/244
- 2,369,396 A * 2/1945 Higginbotham A61G 11/00
600/22
- 2,721,779 A * 10/1955 Fulkerson B25H 3/02
312/351.8
- D250,196 S * 11/1978 Caccioli D15/124
- 4,300,318 A * 11/1981 Brown B24C 3/02
451/38
- D273,195 S * 3/1984 Ferdinand D15/141



(56)

References Cited

U.S. PATENT DOCUMENTS

5,143,102 A * 9/1992 Blaul B08B 3/006
 134/113
 D415,923 S * 11/1999 Hermansson D7/323
 6,878,046 B2 * 4/2005 Publ B24C 9/00
 451/36
 D627,592 S * 11/2010 Wen D7/339
 D844,377 S * 4/2019 Kacalek D7/395
 D882,651 S * 4/2020 Moser D15/135
 D907,077 S * 1/2021 Gjovik D15/122
 2002/0168924 A1 * 11/2002 Visaisouk B24C 9/00
 451/39
 2007/0034613 A1 * 2/2007 Lundberg B23K 26/0876
 219/121.68
 2008/0185365 A1 * 8/2008 Yang B23K 26/361
 219/121.6
 2008/0278041 A1 * 11/2008 Lloyd F24F 3/163
 312/209
 2008/0315738 A1 * 12/2008 Tan B24C 9/00
 312/258

2016/0001420 A1 * 1/2016 Robinson B24C 9/00
 451/38
 2016/0023491 A1 * 1/2016 Vellutato, Jr. B65H 31/00
 312/50
 2017/0276395 A1 * 9/2017 Nyhof F24F 13/20
 2018/0164147 A1 * 6/2018 Liebsch B01L 1/04
 2019/0134669 A1 * 5/2019 Mack B07B 1/22
 2020/0254689 A1 * 8/2020 Gjovik B33Y 10/00

OTHER PUBLICATIONS

Sinterit, Powder Sieve, (site visited May 7, 2021), Sinterit.com, URL:<<https://www.sinterit.com/powder-sieve/>> (Year: 2021).*

Reches et al., Powder Sifter, U.S. Appl. No. 29/739,152, filed Jun. 23, 2020.

[No Author Listed], Fuse Sift. All-In-One Powder Recovery for the Fuse 1. Formlabs. 2021. 15 pages. URL:<<https://formlabs.com/post-processing/fuse-sift>> [retrieved May 6, 2021].

[No Author Listed], Powder Sieve—Sinterit—Manufacturer of high quality desktop SLS 3D printers. 2021. 8 pages. URL:<<https://www.sinterit.com/powder-sieve>> [retrieved May 7, 2021].

* cited by examiner

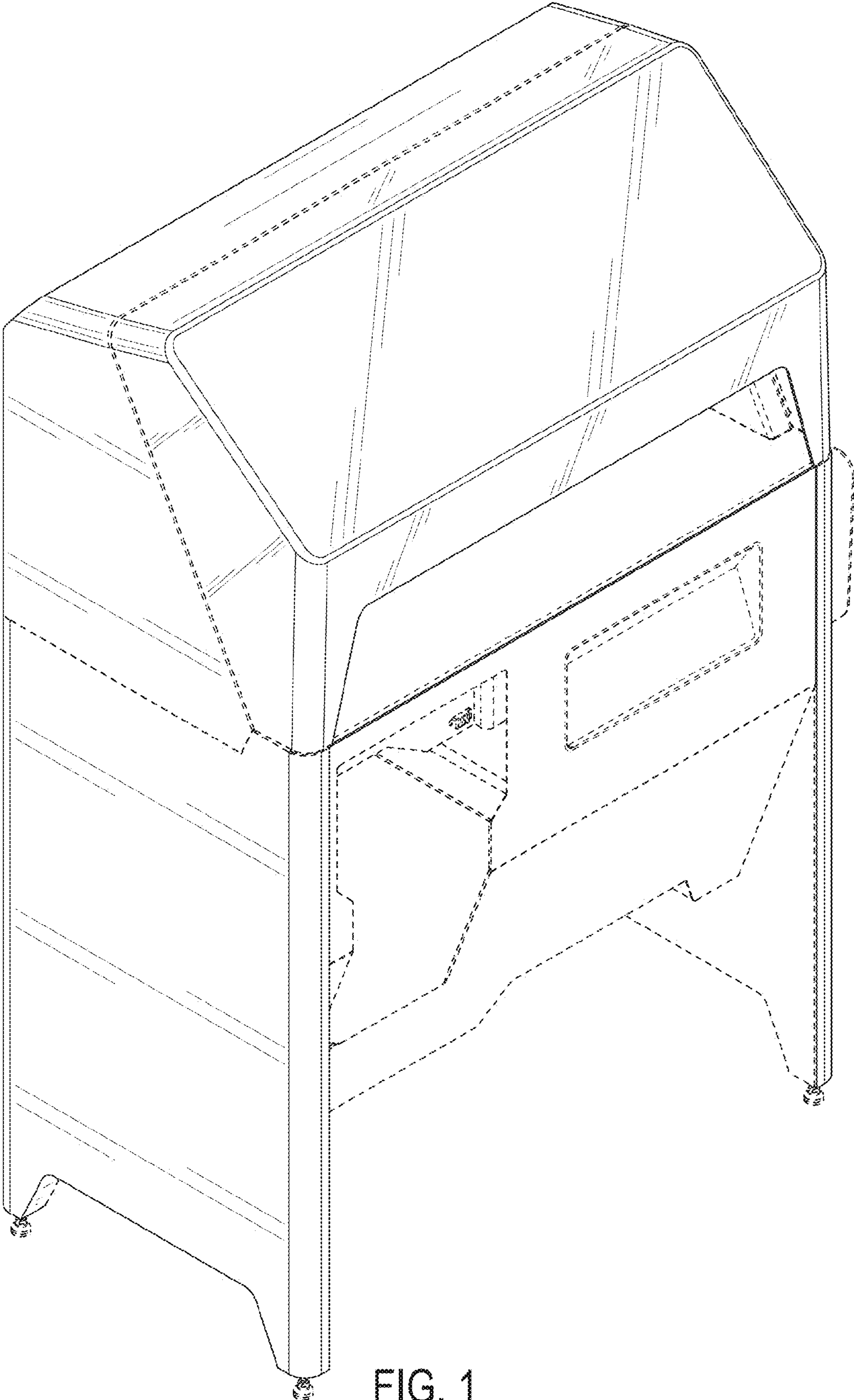


FIG. 1

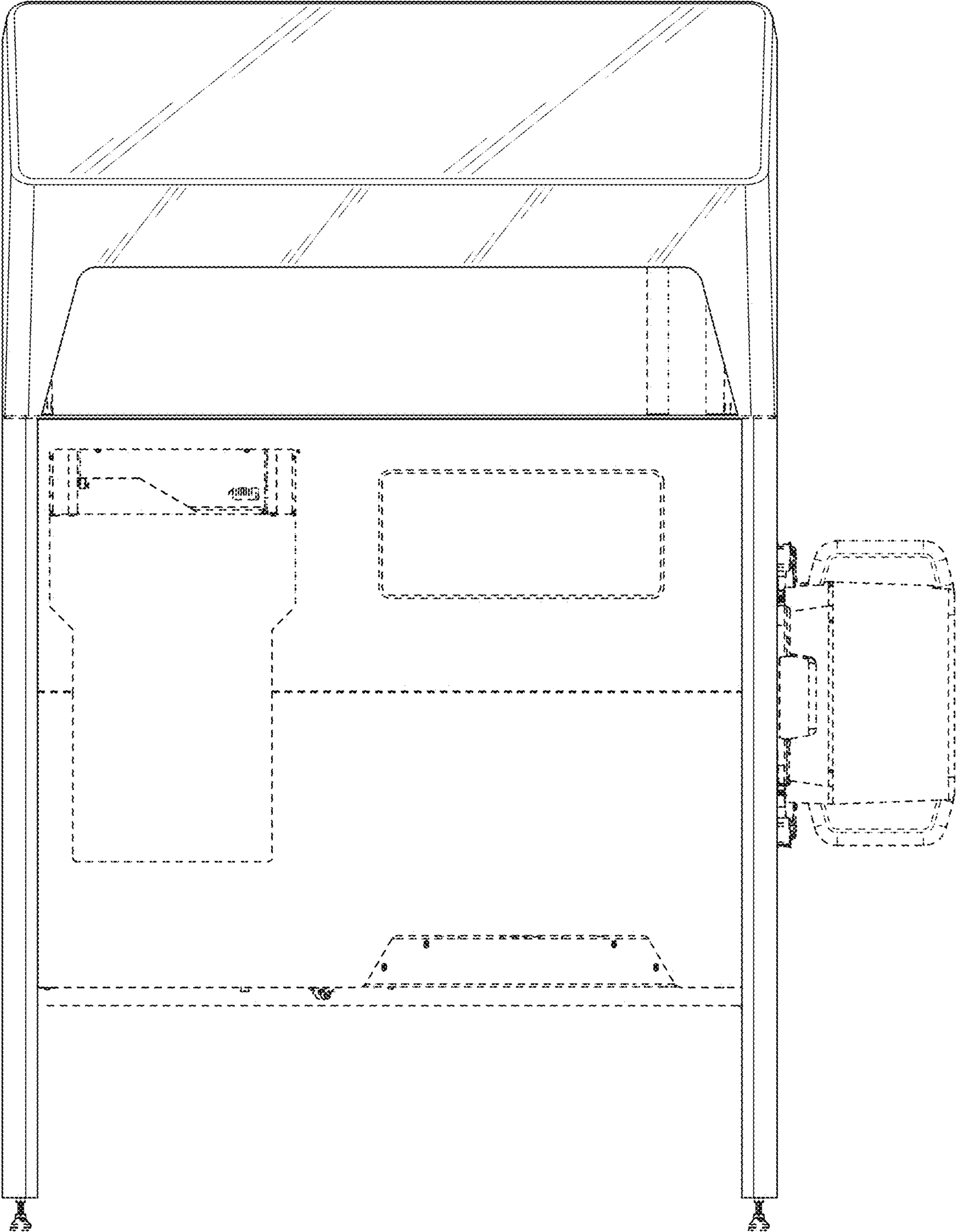


FIG. 2

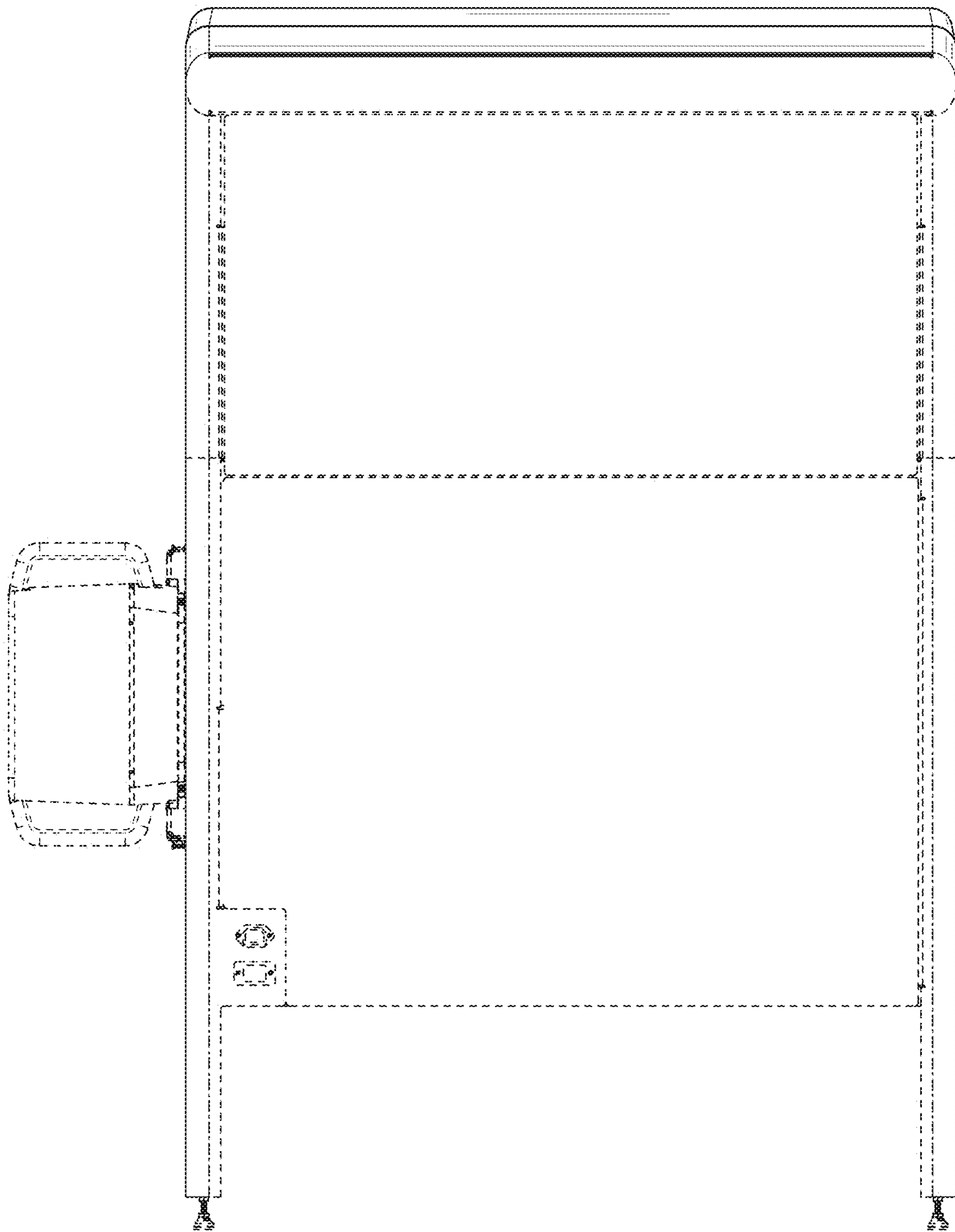


FIG. 3

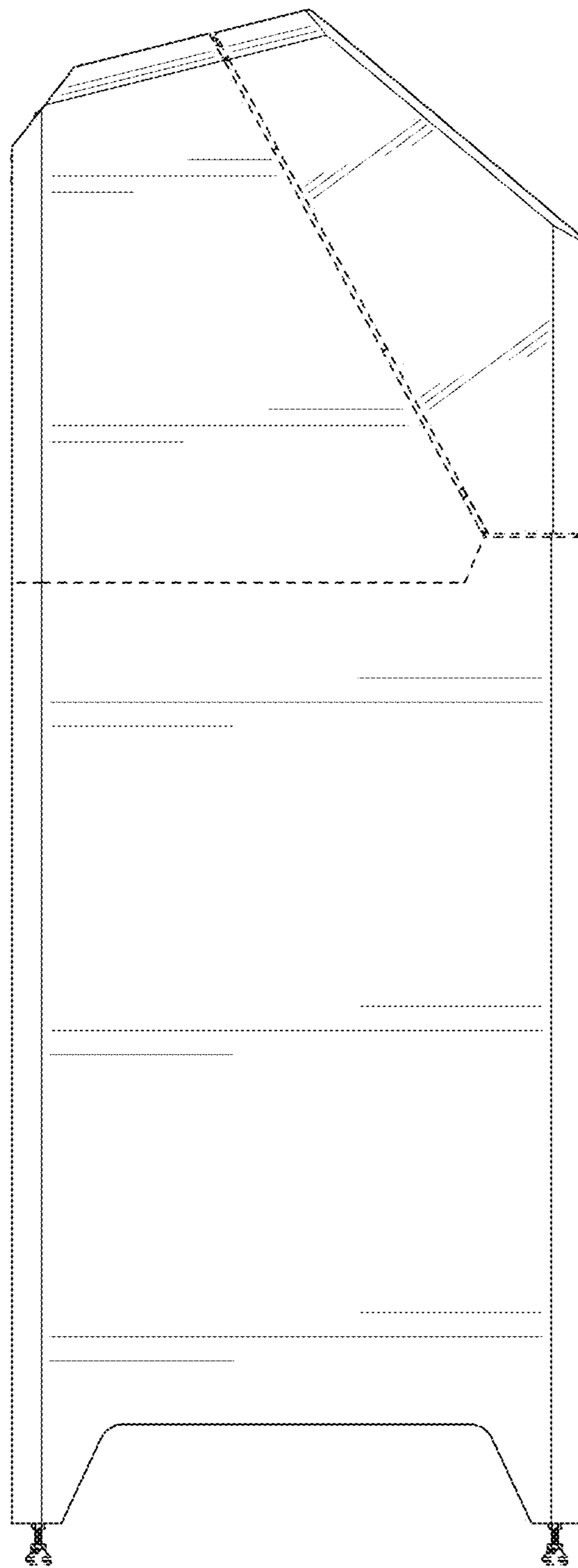


FIG. 4

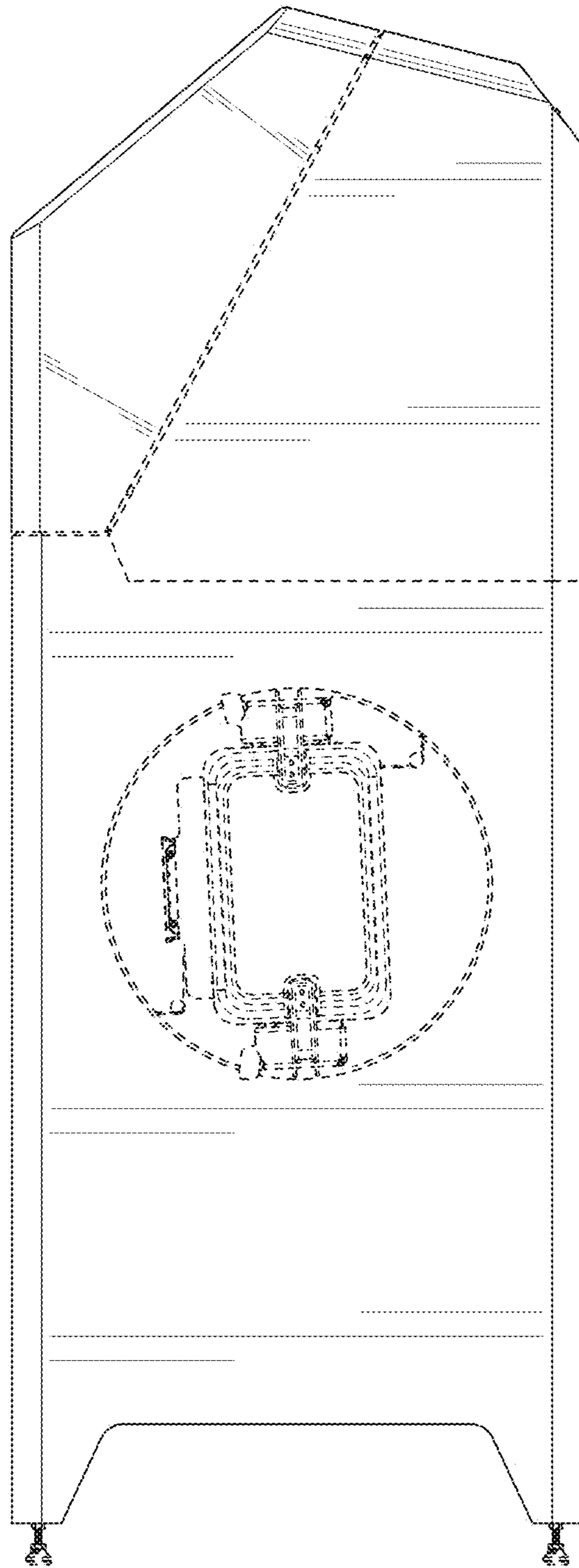


FIG. 5

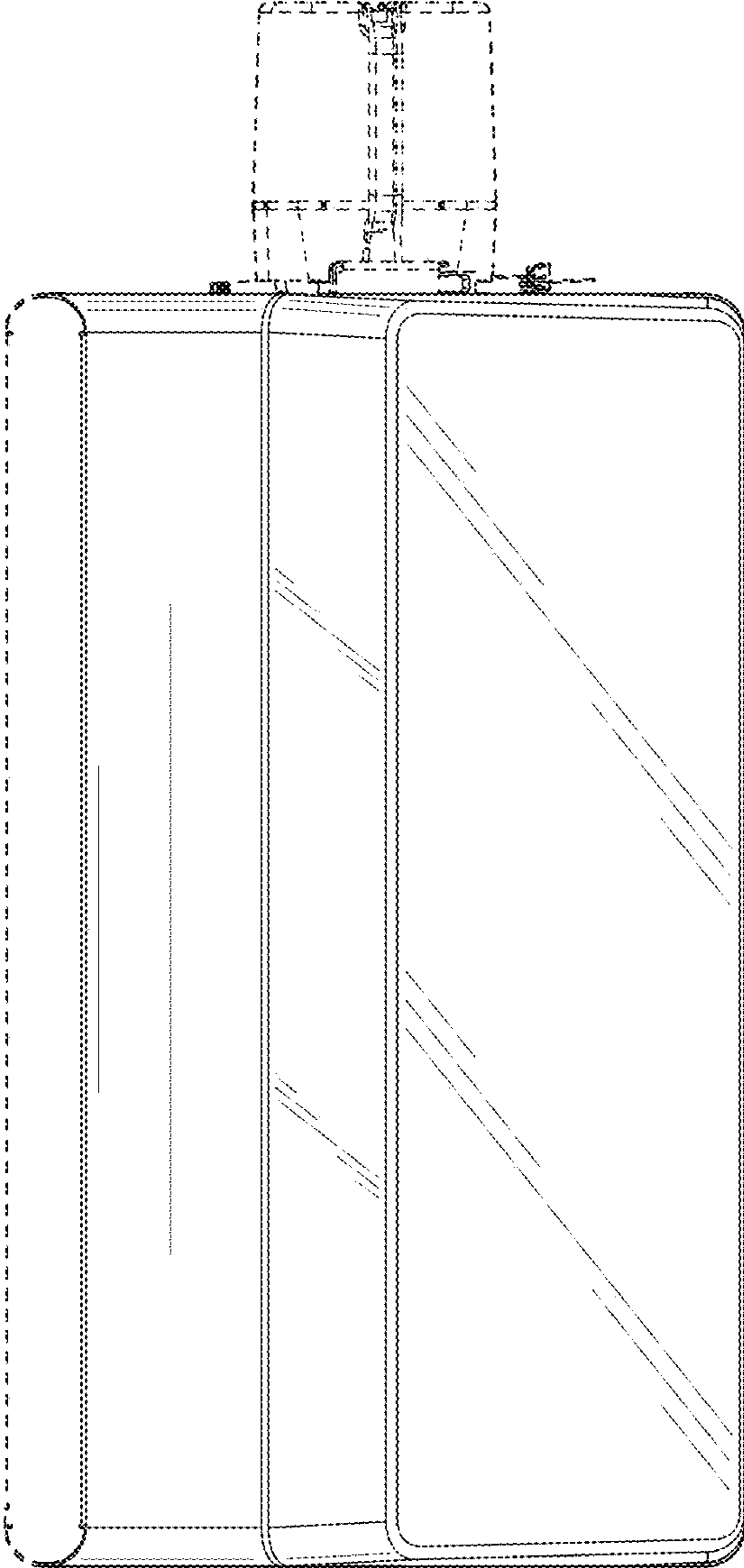


FIG. 6

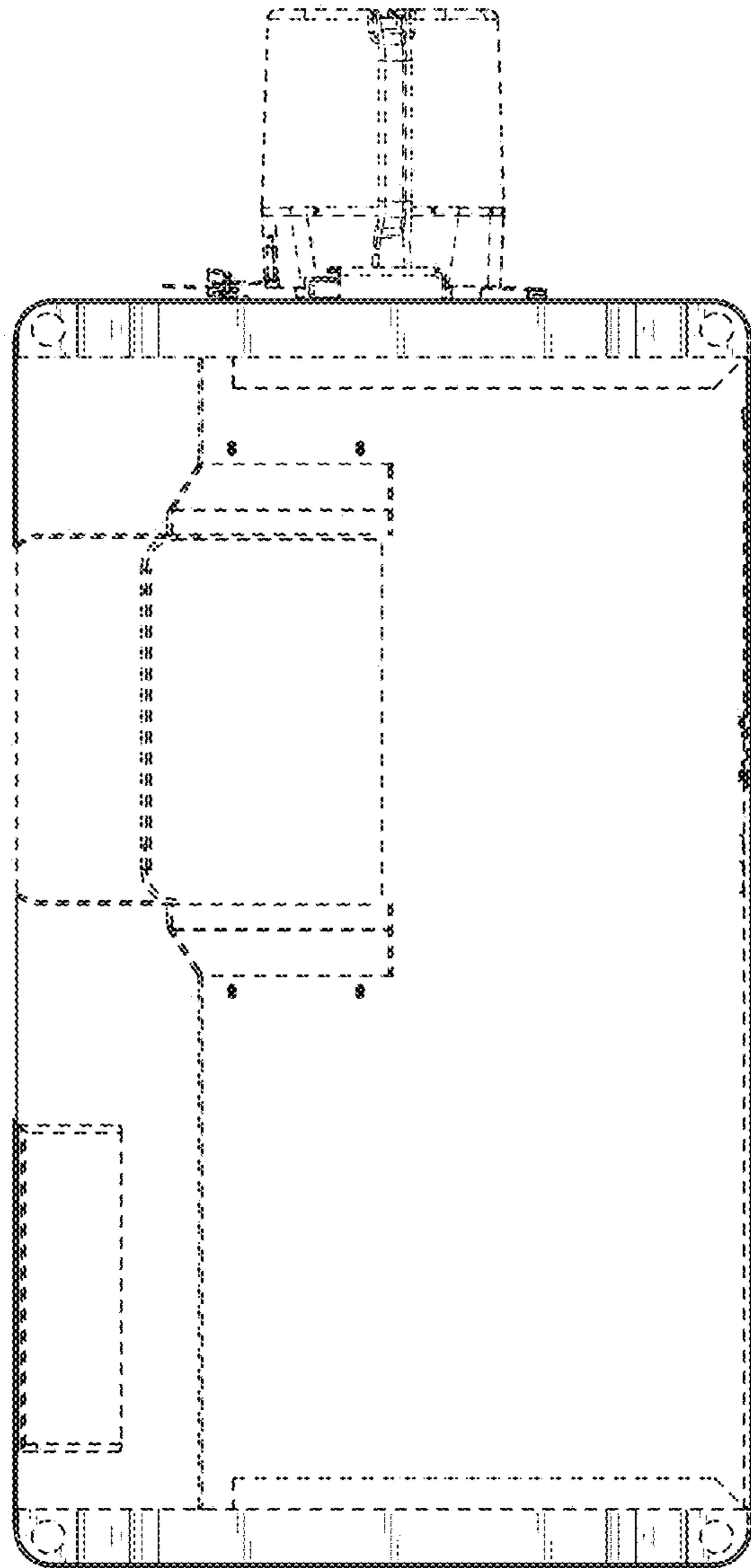


FIG. 7

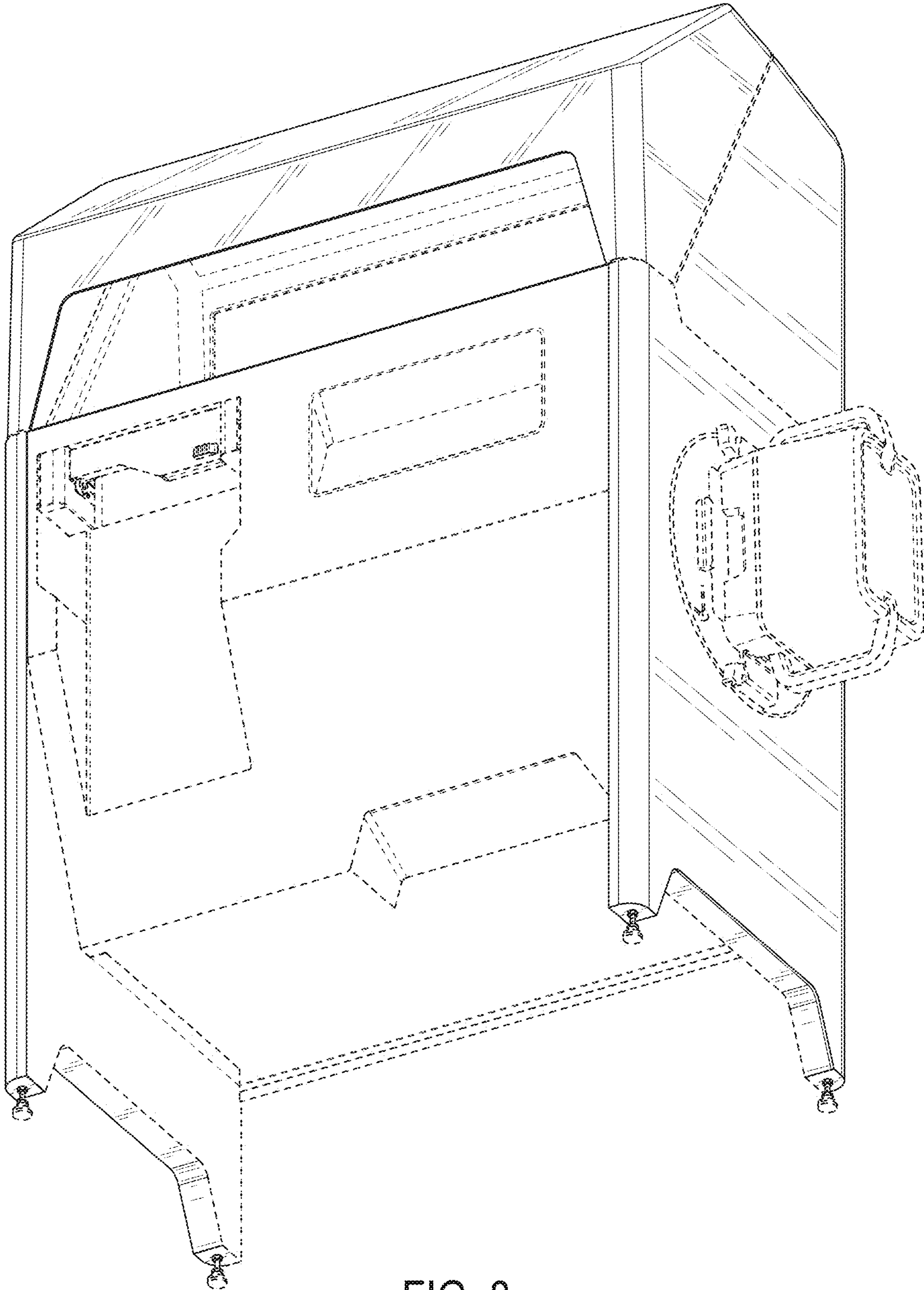


FIG. 8