



US00D934310S

(12) **United States Design Patent** (10) **Patent No.:** **US D934,310 S**  
**Charlier et al.** (45) **Date of Patent:** **\*\* Oct. 26, 2021**

(54) **CONTAINER**

(71) Applicant: **The Vollrath Company, L.L.C.**,  
Sheboygan, WI (US)

(72) Inventors: **David J. Charlier**, Sheboygan, WI  
(US); **Christopher J. Niemann**,  
Howards Grove, WI (US); **Jill**  
**Hundley**, Sheboygan, WI (US); **Matt P.**  
**Schemelin**, West Bend, WI (US)

(73) Assignee: **The Vollrath Company, L.L.C.**,  
Sheboygan, WI (US)

(\*\*) Term: **15 Years**

(21) Appl. No.: **29/688,555**

(22) Filed: **Apr. 23, 2019**

(51) **LOC (13) Cl.** ..... **15-07**

(52) **U.S. Cl.**  
USPC ..... **D15/79**

(58) **Field of Classification Search**  
USPC ..... D15/79-91  
CPC .. F25D 11/00; F25D 17/065; F25D 2325/022;  
F25D 23/069; F25D 25/025; F25D 11/02;  
F25D 17/062; F25D 21/12; F25D 21/125;  
F25D 21/14; F25D 2317/061; F25D  
2317/067; F25D 2323/021; F25D  
2323/024; F25D 23/028; F25D 23/04;  
F25D 23/066; F25D 23/085; F25D  
23/087; F25D 23/126; F25D 2400/02;  
F25D 2400/06; F25D 2400/361; F25D  
2400/40; F25D 25/005; F25D 25/02;  
F25D 2600/02; F25D 2700/02; F25D  
2700/12; F25D 2700/121; F25D 2700/14;  
F25D 29/00

See application file for complete search history.

(56) **References Cited**

**U.S. PATENT DOCUMENTS**

2,486,532 A 11/1949 Kubach  
4,624,381 A 11/1986 Friedrich

4,735,331 A 4/1988 Keenan et al.  
6,446,825 B1 9/2002 Godoy  
9,290,297 B2 3/2016 Overath  
9,540,138 B2 1/2017 Dubois et al.  
D829,244 S \* 9/2018 Sullivan ..... D15/79  
(Continued)

**FOREIGN PATENT DOCUMENTS**

DE 27 34 964 A1 2/1979  
DE 19713691 A1 10/1998  
(Continued)

**OTHER PUBLICATIONS**

OnTel Products Corp., Chill Chest, <https://www.ontelcatalog.com/product/chill-chest/> (5 pages).

*Primary Examiner* — Khawaja Anwar

(74) *Attorney, Agent, or Firm* — Foley & Lardner LLP

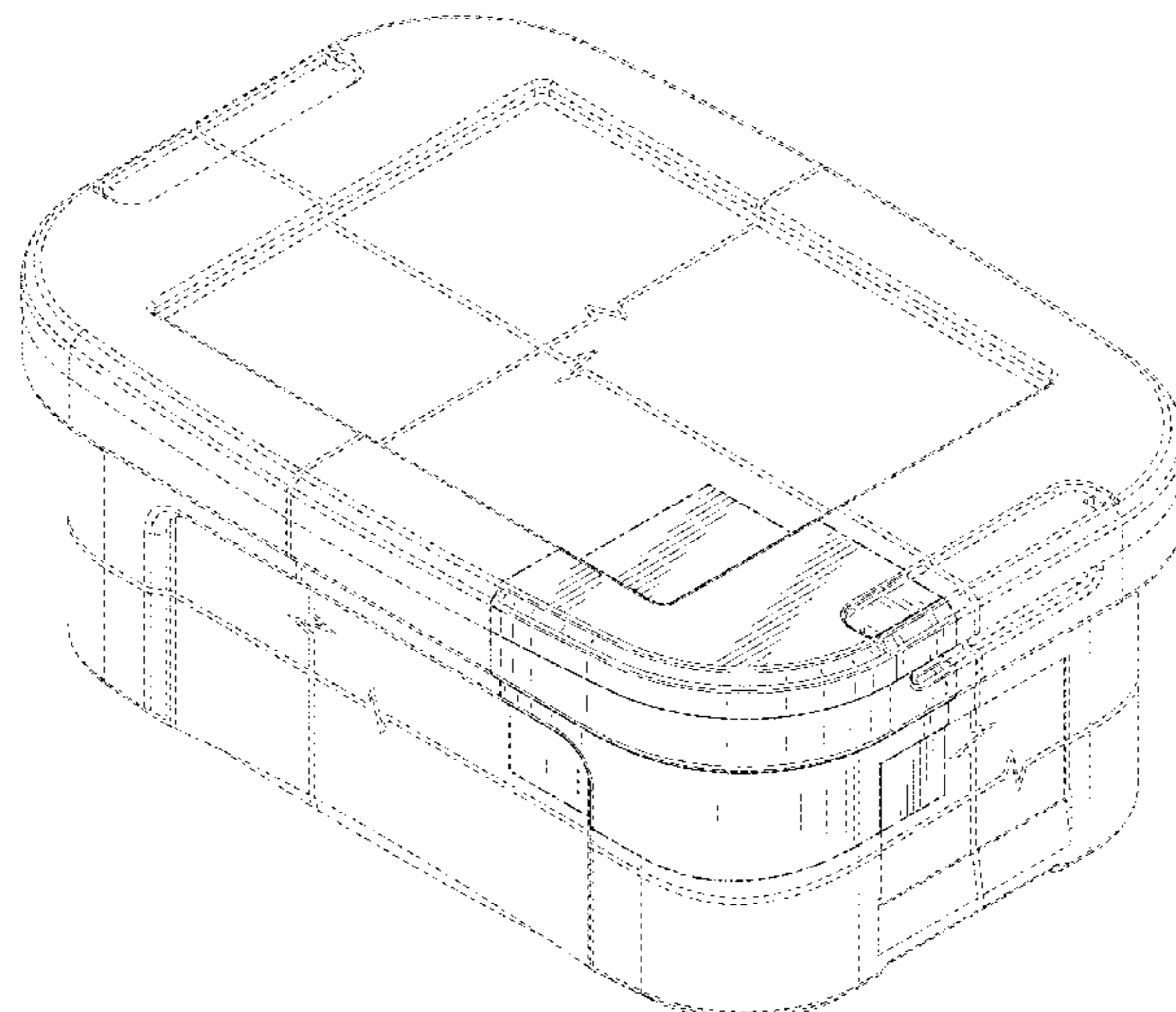
(57) **CLAIM**

We claim the ornamental design for an container, as shown and described.

**DESCRIPTION**

FIG. 1 is a perspective view of a container, showing our new design;  
FIG. 2 is a front view thereof;  
FIG. 3 is a rear view thereof;  
FIG. 4 is a left side view thereof;  
FIG. 5 is a right side view thereof;  
FIG. 6 is a top view thereof; and,  
FIG. 7 is a bottom view thereof.  
The ornamental design which is claimed is shown in solid lines in the drawings. The broken lines in the drawings are for illustrative purposes only and form no part of the claimed design. Broken lines formed by equal length dashes show unclaimed subject matter. Broken lines formed by unequal length dashes (i.e., dash-dot) define bounds of the claimed design.

**1 Claim, 7 Drawing Sheets**



(56)

**References Cited**

U.S. PATENT DOCUMENTS

|              |    |   |         |                |       |        |
|--------------|----|---|---------|----------------|-------|--------|
| D830,429     | S  | * | 10/2018 | Brown          | ..... | D15/79 |
| D836,993     | S  | * | 1/2019  | Meda           | ..... | D7/605 |
| D836,994     | S  | * | 1/2019  | Meda           | ..... | D7/605 |
| D887,788     | S  | * | 6/2020  | Meda           | ..... | D7/605 |
| D887,789     | S  | * | 6/2020  | Seiders        | ..... | D7/605 |
| D888,503     | S  | * | 6/2020  | Meda           | ..... | D7/605 |
| D898,083     | S  | * | 10/2020 | Yao            | ..... | D15/79 |
| D909,432     | S  | * | 2/2021  | Xu             | ..... | D15/79 |
| D916,144     | S  | * | 4/2021  | Deng           | ..... | D15/79 |
| D922,454     | S  | * | 6/2021  | Tang           | ..... | D15/79 |
| 2011/0168593 | A1 |   | 7/2011  | Neufeld et al. |       |        |
| 2011/0168702 | A1 |   | 7/2011  | Neufeld et al. |       |        |

FOREIGN PATENT DOCUMENTS

|    |  |  |              |   |  |        |
|----|--|--|--------------|---|--|--------|
| GB |  |  | 2 257 422    | A |  | 1/1993 |
| JP |  |  | 2001-080638  | A |  | 3/2001 |
| KR |  |  | 2013-0011186 | A |  | 1/2013 |

\* cited by examiner

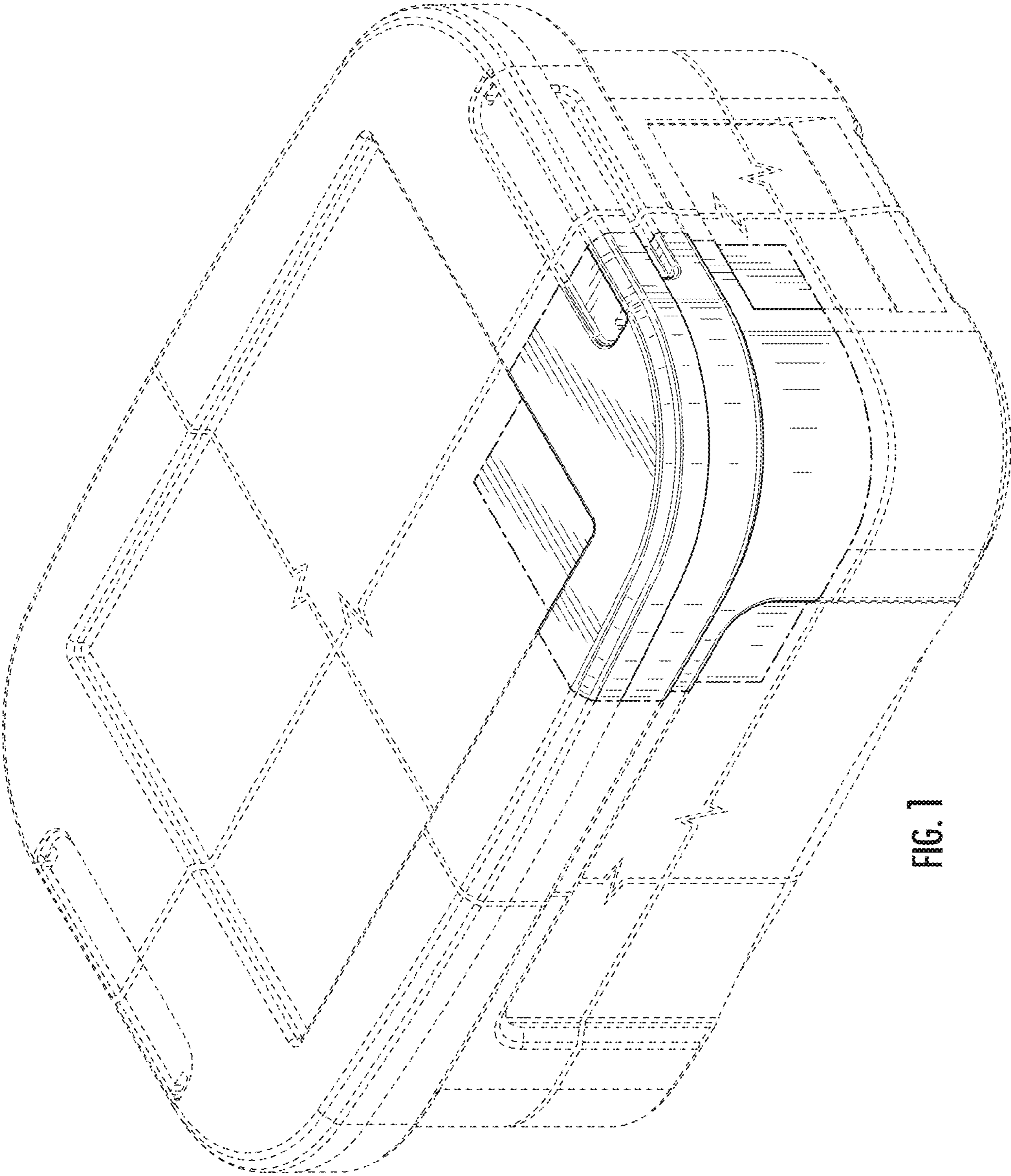


FIG. 1

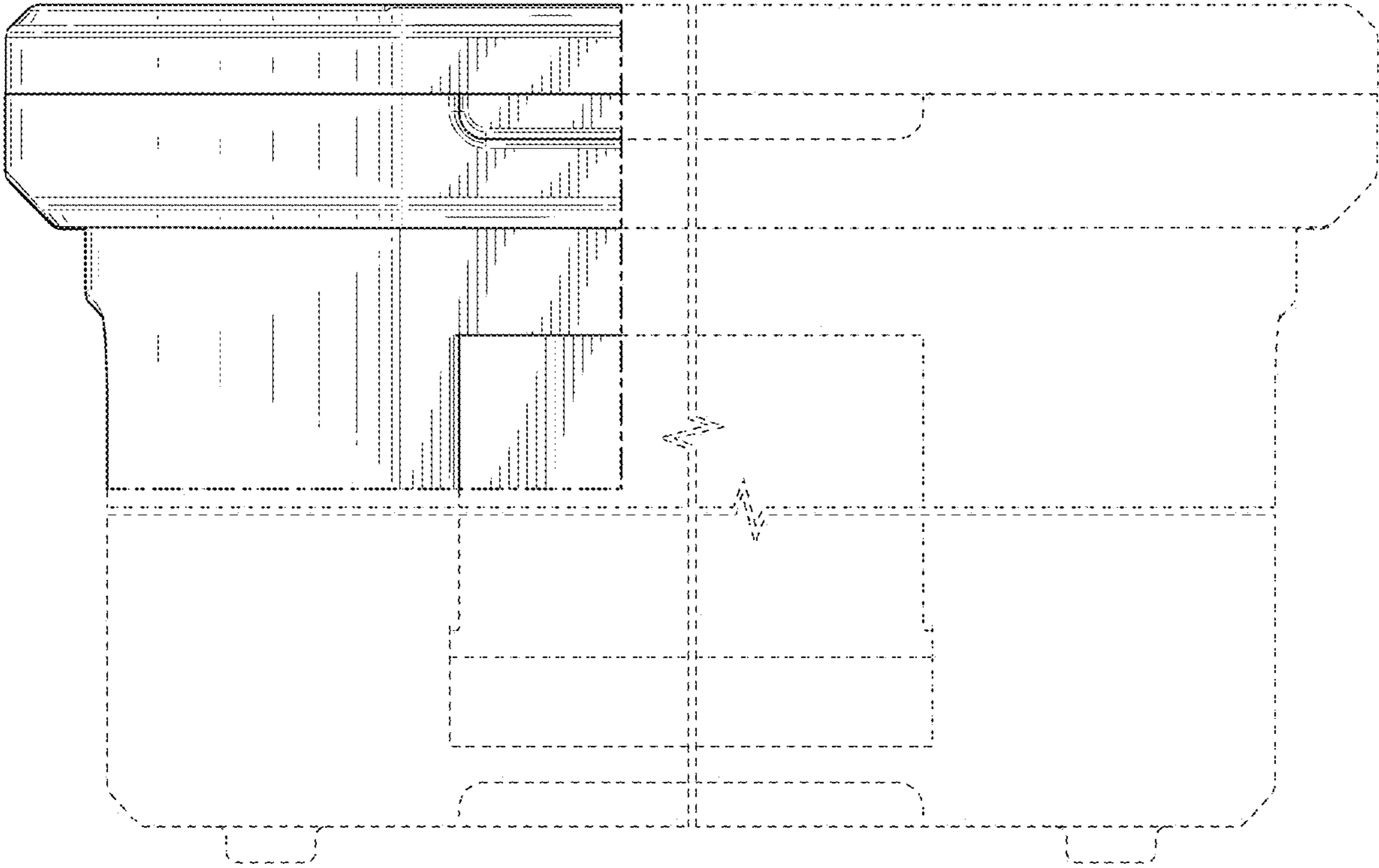


FIG. 2

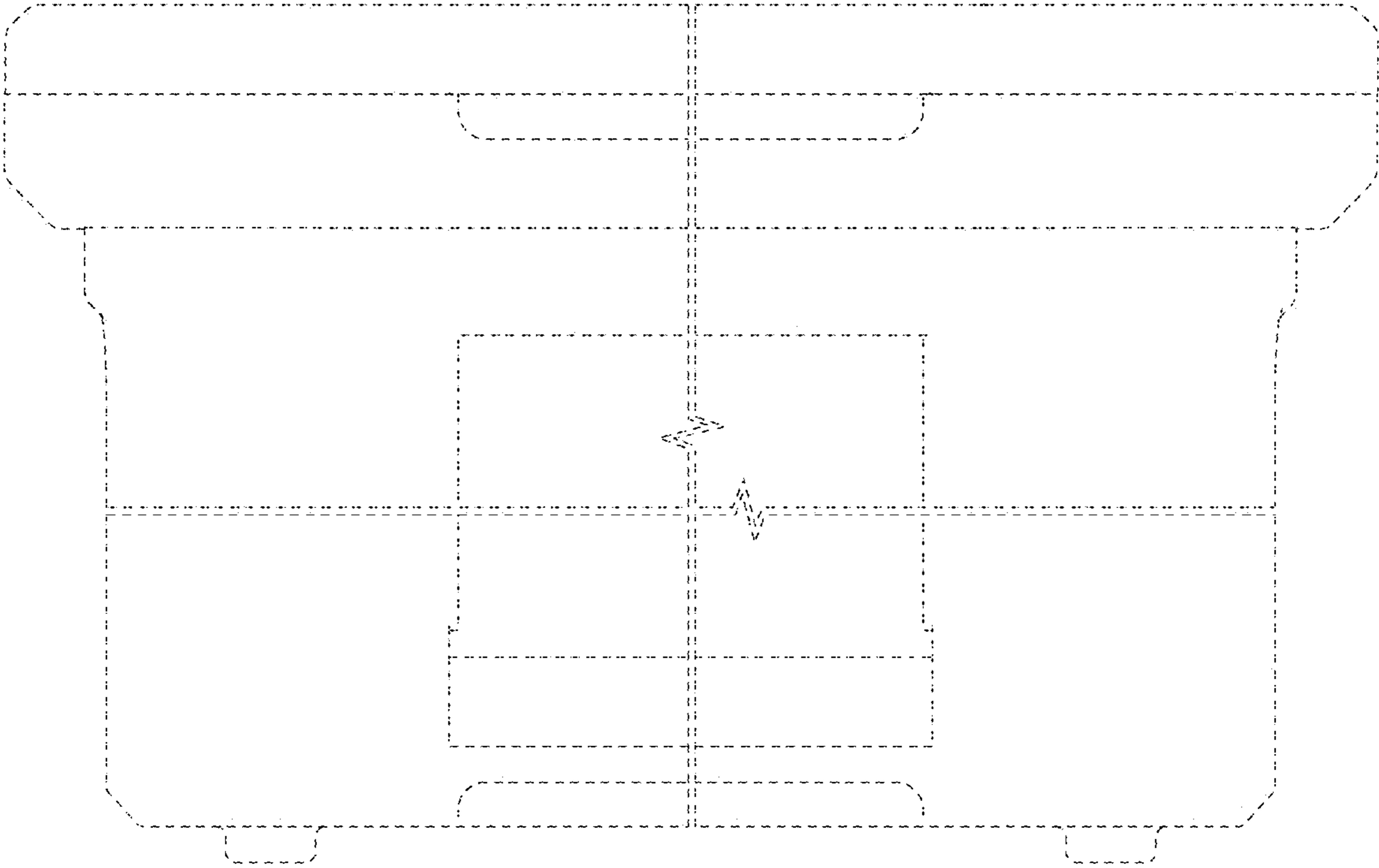


FIG. 3

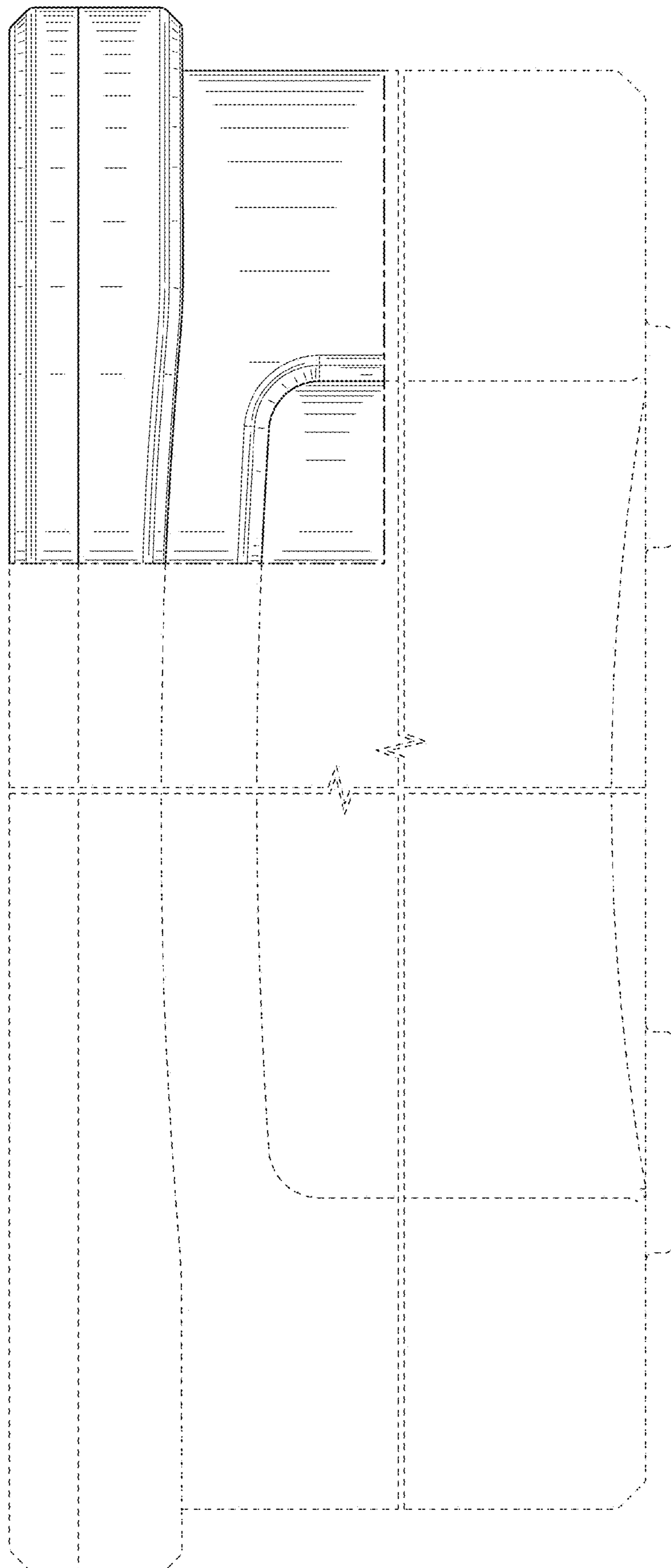


FIG. 4

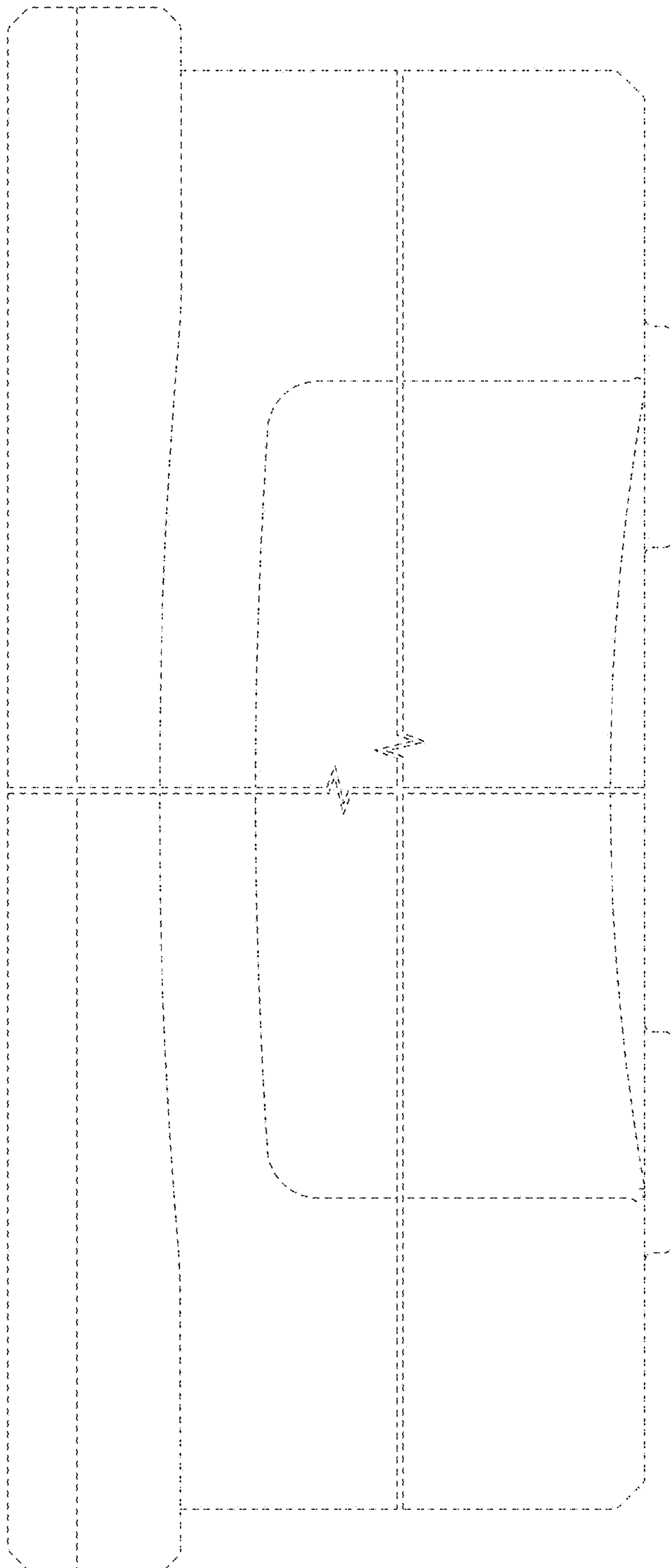


FIG. 5

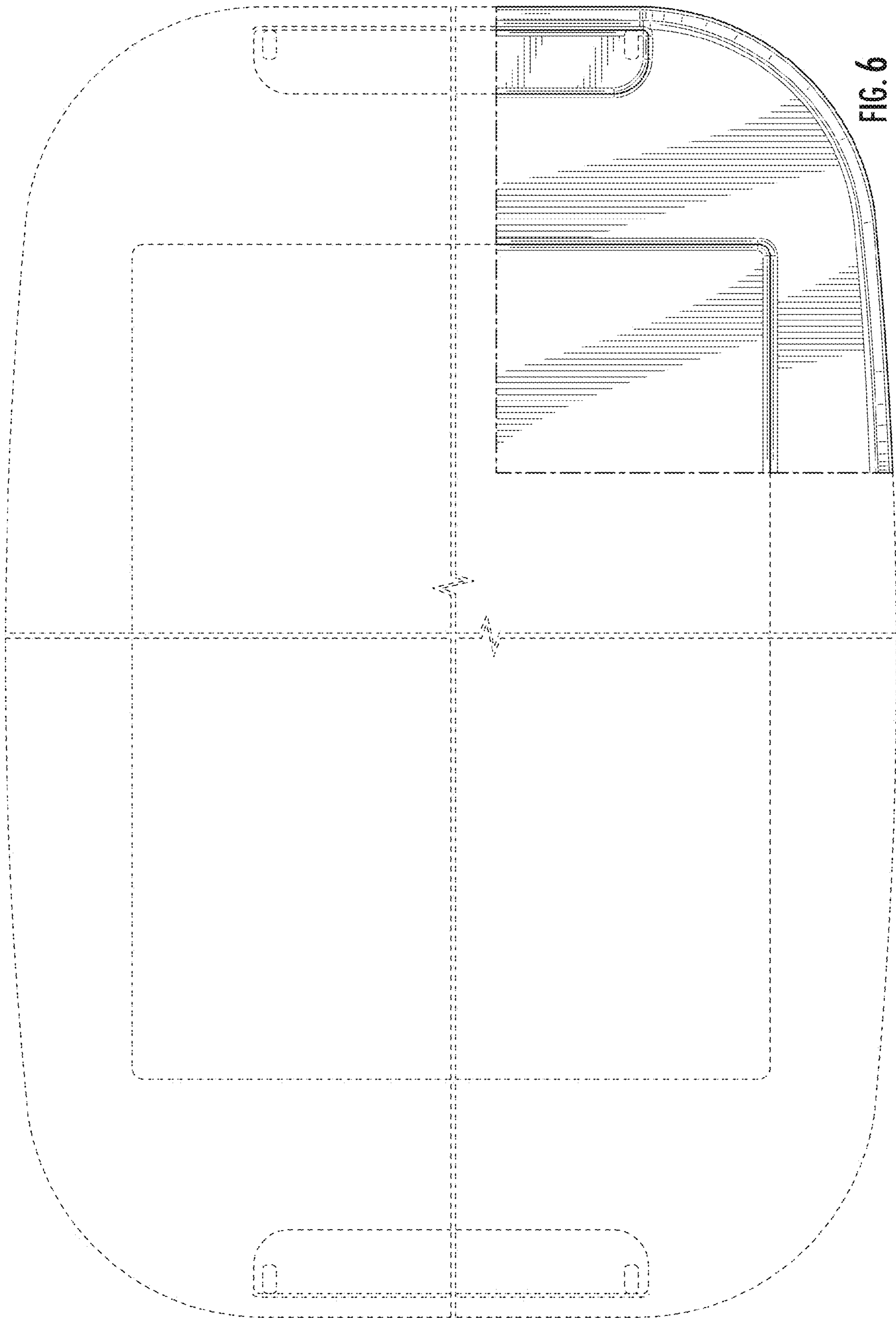


FIG. 6



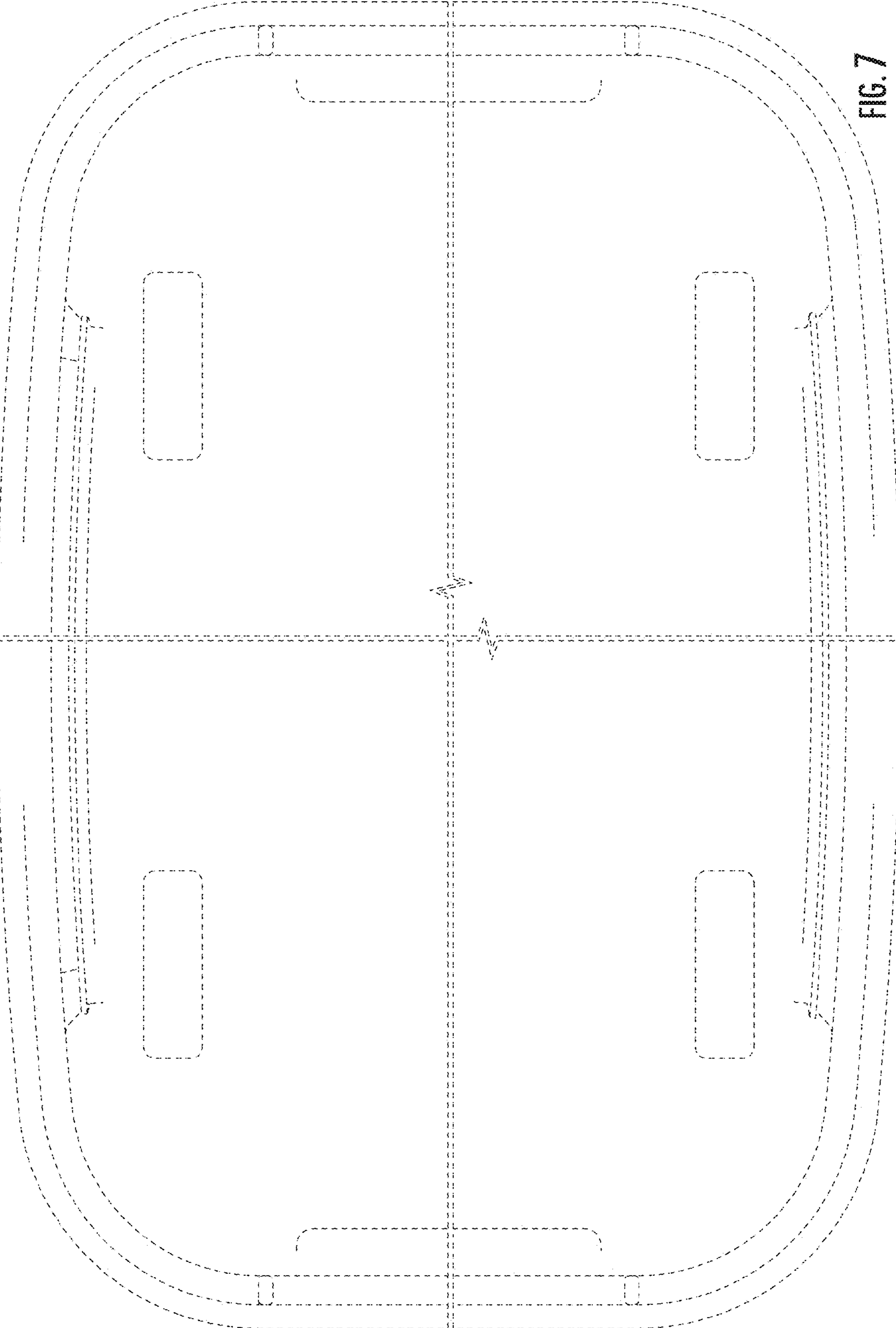


FIG. 7