



US00D934309S

(12) **United States Design Patent** (10) **Patent No.:** **US D934,309 S**
Rajopadhye et al. (45) **Date of Patent:** **** Oct. 26, 2021**

- (54) **FENDER**
- (71) Applicant: **Deere & Company**, Moline, IL (US)
- (72) Inventors: **Dhananjay Rajopadhye**, Pune (IN); **Akshay Baviskar**, Pune (IN); **Marshall T. Graves**, Bettendorf, IA (US); **Vivek Vedpathak**, Pune (IN); **Tobias Adami**, Munich (DE); **Florian Teubner**, Munich (DE)
- (73) Assignee: **DEERE & COMPANY**, Moline, IL (US)
- (**) Term: **15 Years**
- (21) Appl. No.: **29/712,596**
- (22) Filed: **Nov. 8, 2019**
- (30) **Foreign Application Priority Data**

May 9, 2019 (EM) 006435889

- (51) **LOC (13) Cl.** **15-03**
- (52) **U.S. Cl.**
USPC **D15/33**
- (58) **Field of Classification Search**
USPC D12/1, 85, 86, 88, 89, 90, 91, 92, 93,
D12/101, 102, 106, 144, 163, 164, 167,
(Continued)

(56) **References Cited**

U.S. PATENT DOCUMENTS

D188,955 S * 10/1960 Van Buskirk D15/26
D200,426 S * 2/1965 Kermes D15/26
(Continued)

FOREIGN PATENT DOCUMENTS

CN 302092321 S 9/2012
CN 302220180 S 12/2012

OTHER PUBLICATIONS

John Deere S-Series Combine Harvesters, Published date unavailable [online], [retrieved on Jun. 28, 2021]. Retrieved from the Internet: <https://www.deere.com/en/harvesting/s-series-combines/> (Year: 2021).*

(Continued)

Primary Examiner — Christian P. McLean
Assistant Examiner — Adam C Mager
(74) *Attorney, Agent, or Firm* — Klintworth & Rozenblat IP LLP

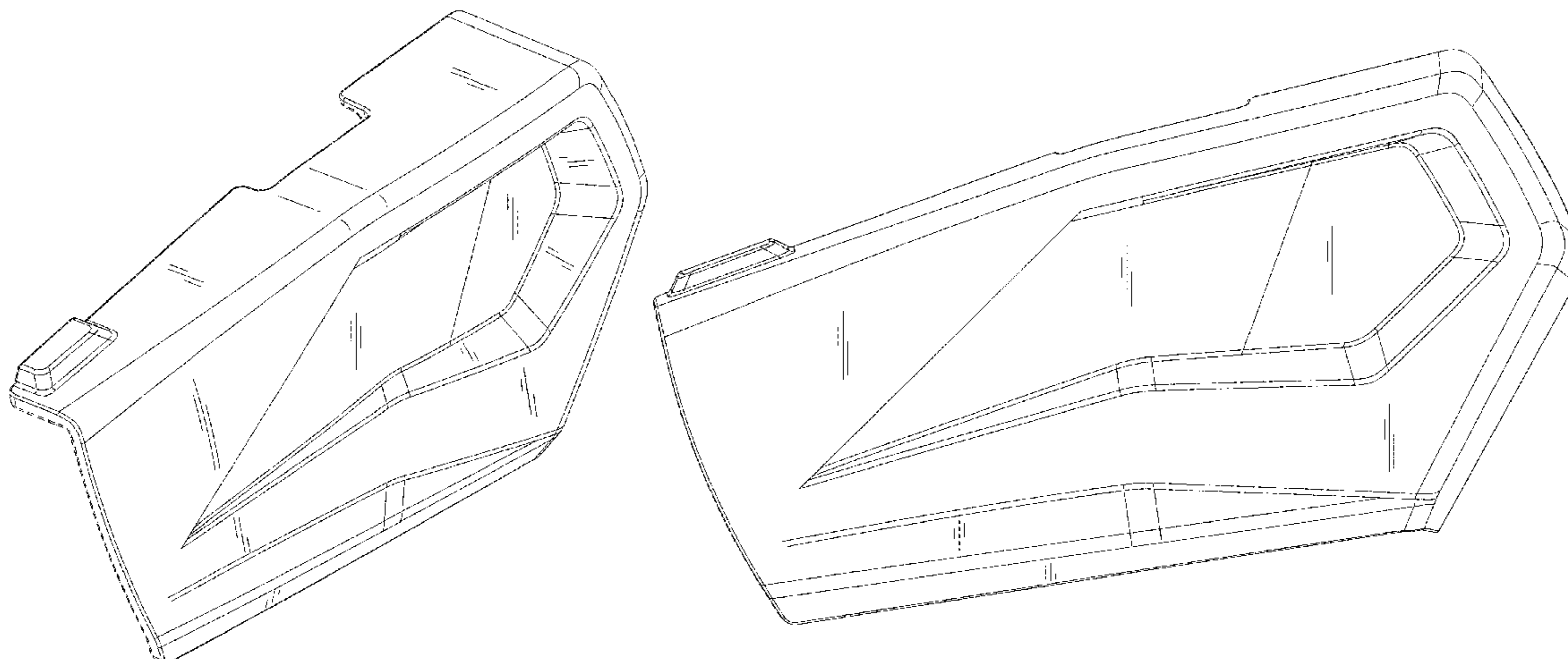
(57) **CLAIM**

The ornamental design for a fender, as shown and described.

DESCRIPTION

FIG. 1 is a perspective view of a fender according to our new design;
FIG. 2 is a first side elevational view thereof;
FIG. 3 is a second side elevational view thereof;
FIG. 4 is a first end elevational view thereof;
FIG. 5 is a second end elevational view thereof;
FIG. 6 is a first plan view thereof;
FIG. 7 is a second plan view thereof;
FIG. 8 is a perspective view of a fender according to another embodiment of our new design;
FIG. 9 is a first side elevational view thereof;
FIG. 10 is a second side elevational view thereof;
FIG. 11 is a first end elevational view thereof;
FIG. 12 is a second end elevational view thereof;
FIG. 13 is a first plan view thereof;
FIG. 14 is a second plan view thereof;
FIG. 15 is a perspective view of a fender according to another embodiment of our new design;
FIG. 16 is a first side elevational view thereof;
FIG. 17 is a second side elevational view thereof;
FIG. 18 is a first end elevational view thereof;
FIG. 19 is a second end elevational view thereof;
FIG. 20 is a first plan view thereof; and
FIG. 21 is a second plan view thereof.
FIG. 22 is a perspective view of a fender according to another embodiment of our new design;
FIG. 23 is a first side elevational view thereof;
FIG. 24 is a second side elevational view thereof;
FIG. 25 is a first end elevational view thereof;
FIG. 26 is a second end elevational view thereof;
FIG. 27 is a first plan view thereof; and,
FIG. 28 is a second plan view thereof.

(Continued)



The broken line showing is for the purpose of illustrating environmental structure that forms no part of the claimed design.

1 Claim, 20 Drawing Sheets

(58) **Field of Classification Search**

USPC D12/169, 171, 173, 181, 184, 185, 190,
D12/192, 196, 400; D21/533, 548, 552,
D21/561; D15/10, 11, 12, 17, 22, 23, 24,
D15/25, 26, 28, 33
CPC B62D 25/02; B62D 25/04; B62D 25/16;
B62D 25/18; B62D 25/161; B62D
25/168; B62D 25/182; B62D 25/184;
B60J 5/00; B60J 5/02; B60J 5/04; B60J
5/10; B60R 13/04; B60R 13/0861; B60R
19/00; A01B 73/00; A01D 75/00; A01D
41/00; A01D 41/06; A01D 41/1208;
A01D 67/00; A01D 45/00; A01D 45/02;
A01D 45/021; A01D 43/081

See application file for complete search history.

(56) **References Cited**

U.S. PATENT DOCUMENTS

D203,845 S * 2/1966 Fell D15/26
D212,492 S * 10/1968 Case D15/26
D212,545 S * 10/1968 Kermes D15/26
D235,796 S * 7/1975 Case D15/26
4,502,270 A 3/1985 Shupert
D643,860 S * 8/2011 Busley D15/33
9,717,181 B2 * 8/2017 Boyd, III A01D 41/16

2006/0174603 A1* 8/2006 Mossman A01D 45/021
56/314
2015/0027097 A1* 1/2015 Schrattenecker A01D 41/02
56/13.5
2016/0270291 A1* 9/2016 van Vooren A01D 69/03
2017/0086374 A1 3/2017 Engel
2019/0110403 A1* 4/2019 Braet A01D 34/04
2020/0346579 A1* 11/2020 Demski B62D 6/00
2021/0022288 A1* 1/2021 Hodson A01D 41/1274
2021/0112716 A1* 4/2021 Farley A01D 41/144
2021/0185879 A1* 6/2021 Hunt A01B 63/002

OTHER PUBLICATIONS

Deere & Company, Grain Harvesting Combines and Front End Equipment, Brochure, Oct. 2018.
Claas of America, Improves Profitability with Increasing Revenue, Google Search, <https://www.serbia.claas.com/news-testimonials/current/claas-news/claas-improves-profitability-with-increasing-revenue-/1904264>, 2019.
Claas of America, photograph of header, 2017.
New Holland, Overview—Corn Heads Leading From The Front, Combines & Headers, <https://agriculture.newholland.com/nar/en-us/equipment/products/combines-and-headers/corn-heads>, 2019.
Macdon Industries Ltd, D65 Draper Header, Draper Headers for Combine, <https://www.macdon.com/en/products/d65-draper-headers-for-combine/>, 2019.
New Holland, Draper Heads—Overview Combines & Headers New Holland (US) NHAG, <https://agriculture.newholland.com/nar/en-us/equipment/products/combines-and-headers/draper-heads>, 2019.
Case IH, Draper Heads Combine Harvester, Case IH 3100 Series II Draper Heads, <https://www.caseih.com/northamerica/en-us/products/harvesting/draper-heads>, Copyright 2020.
Massey Ferguson, 9250 DynaFlex Draper Header, <http://www.masseyferguson.us/products/combine-harvesting/9250-dynaflex-draper-headers.html#0>, Copyright 2020.

* cited by examiner

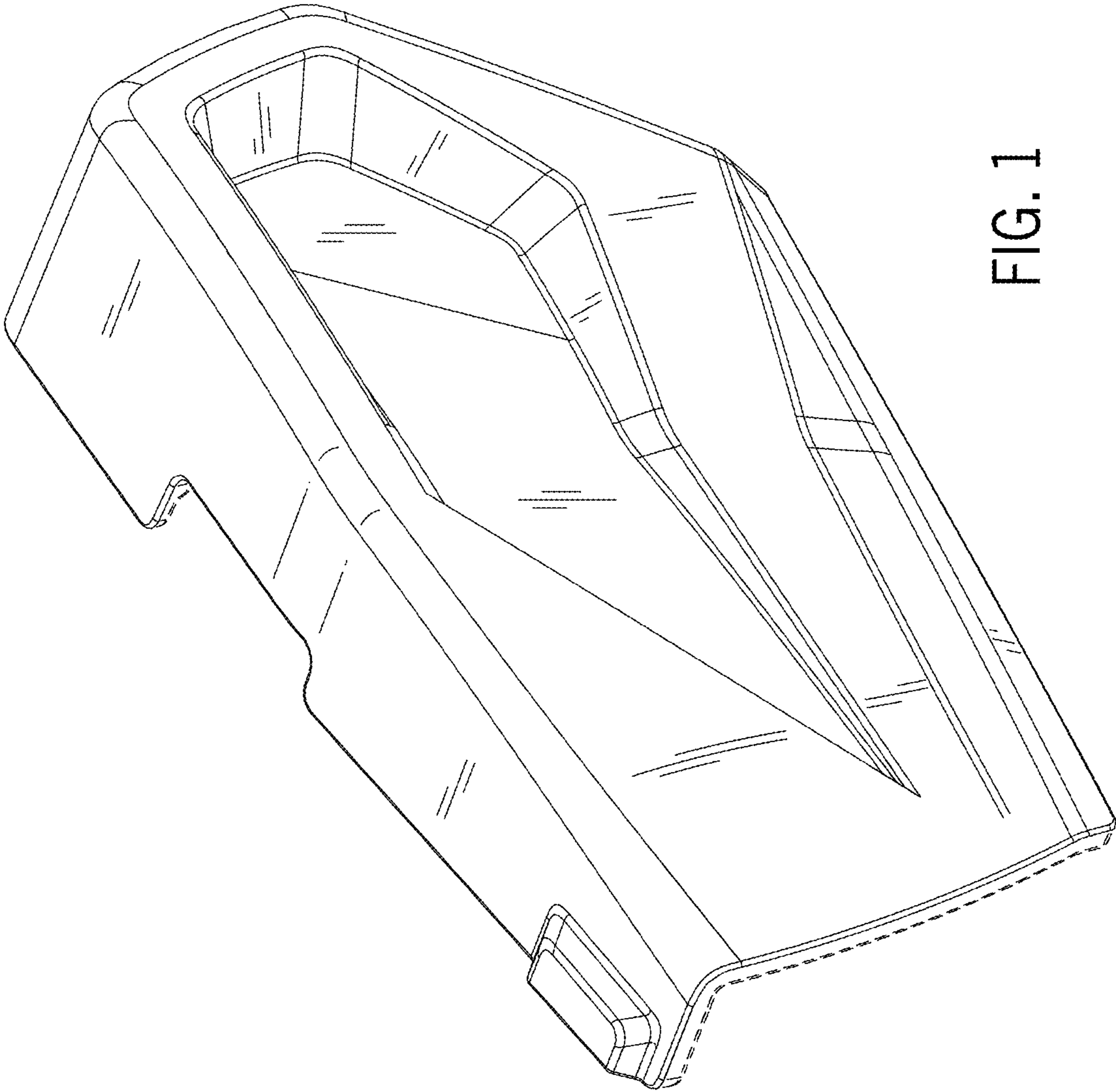


FIG. 1

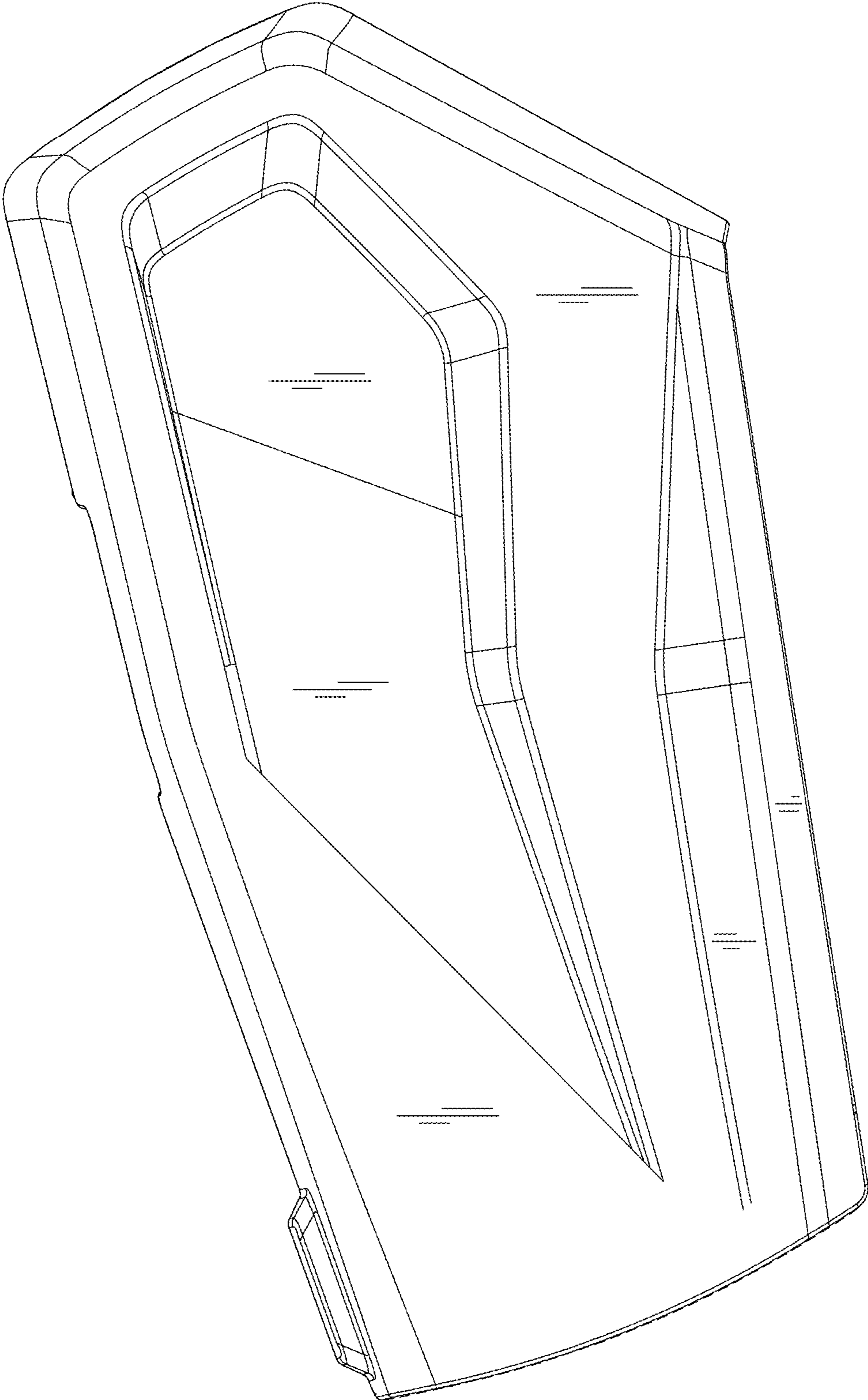


FIG. 2

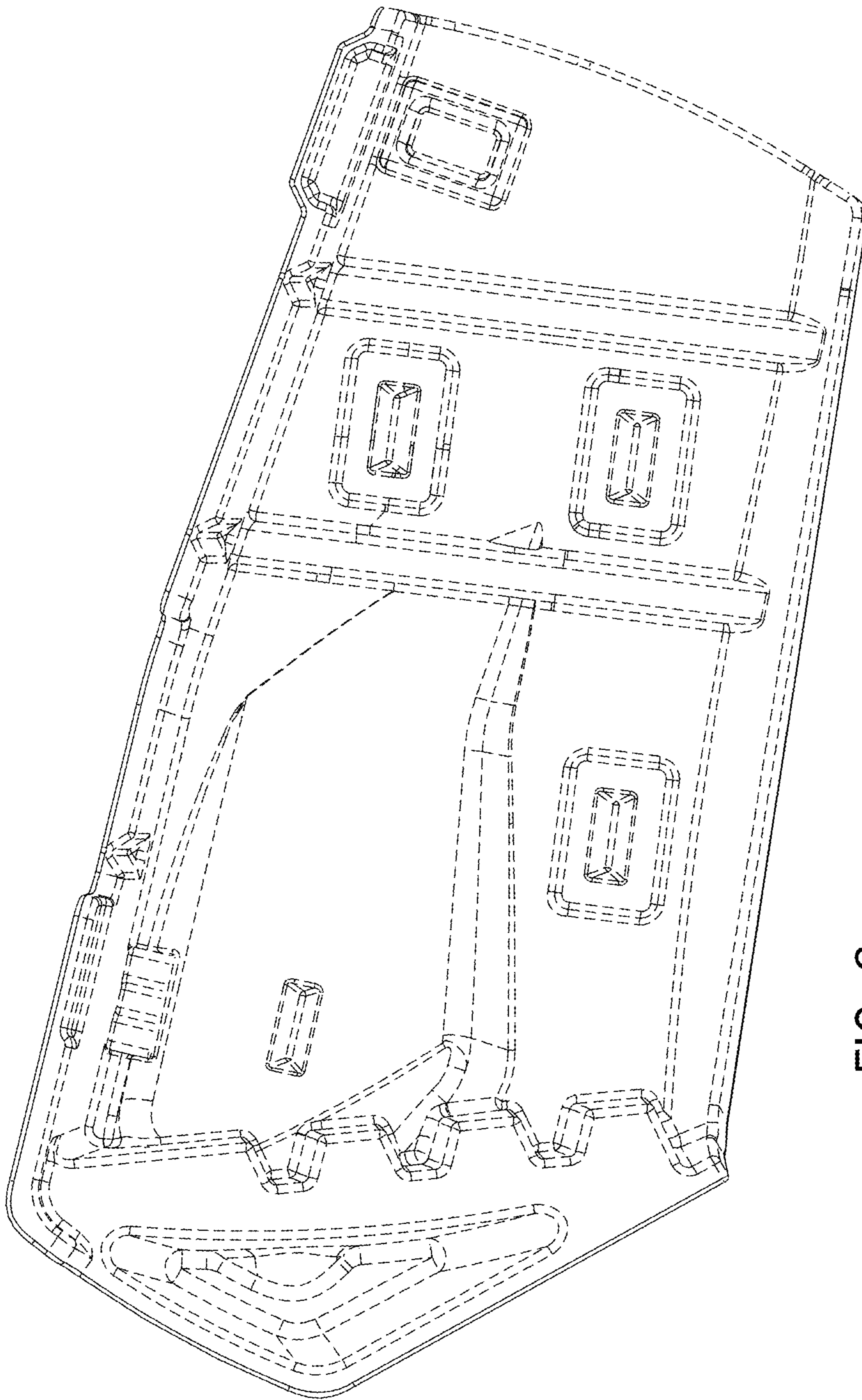


FIG. 3

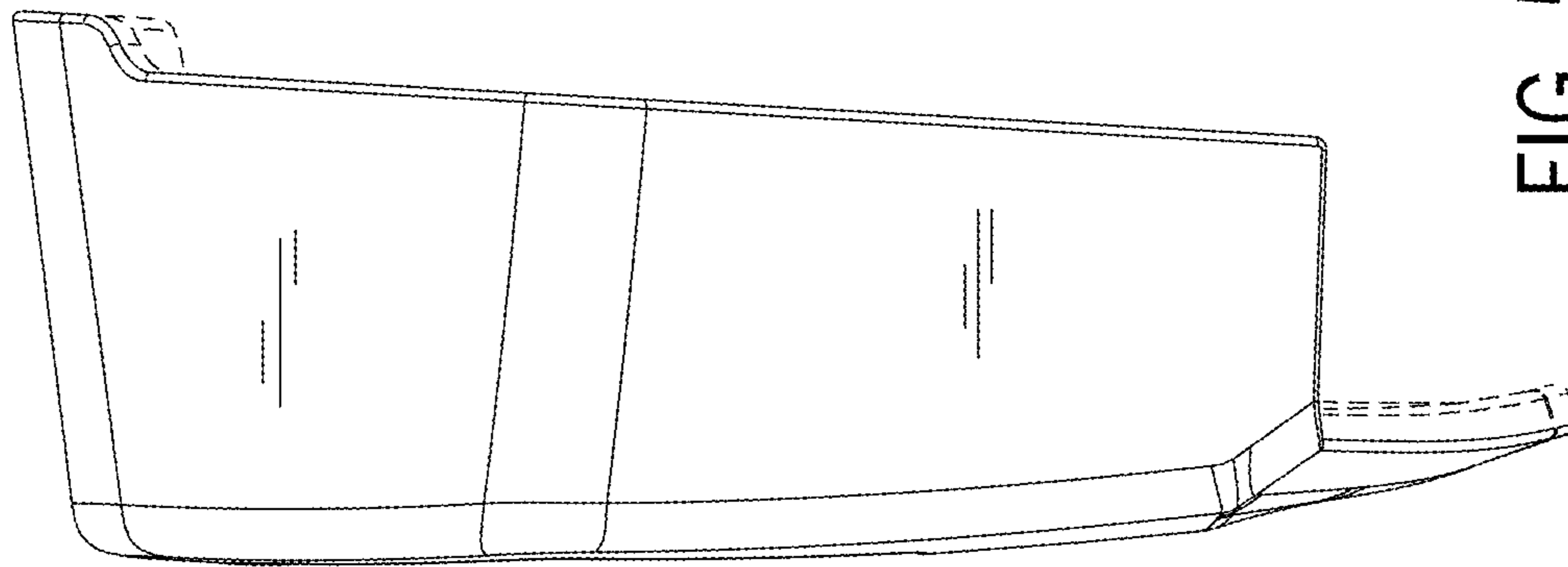


FIG. 5

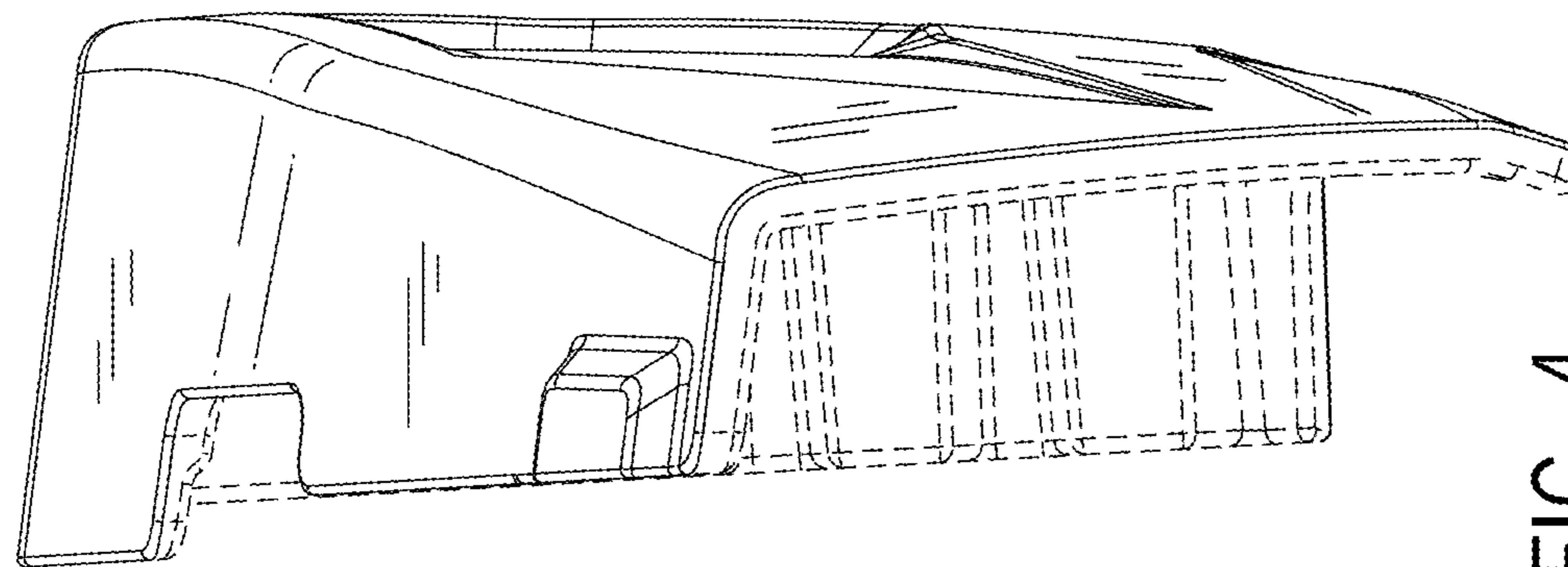


FIG. 4

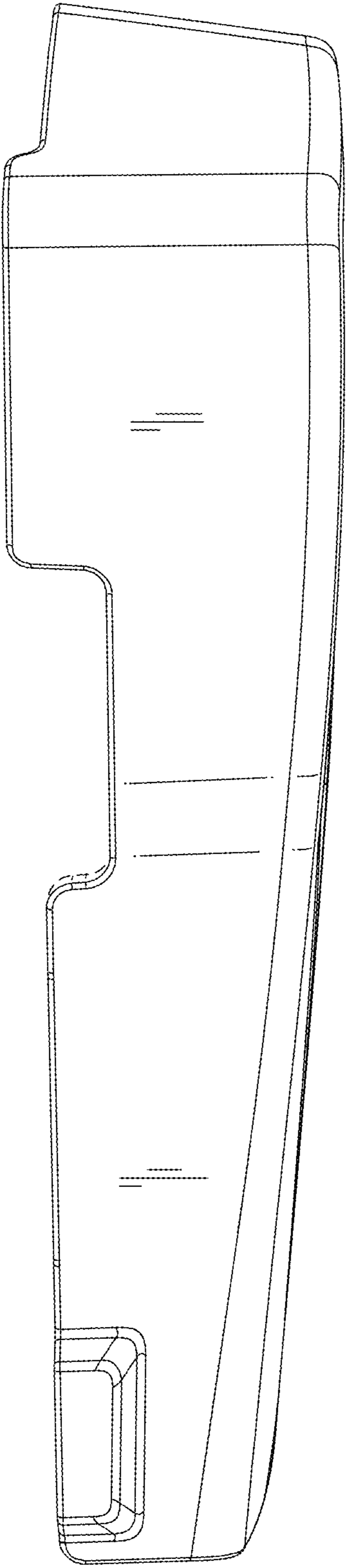


FIG. 6

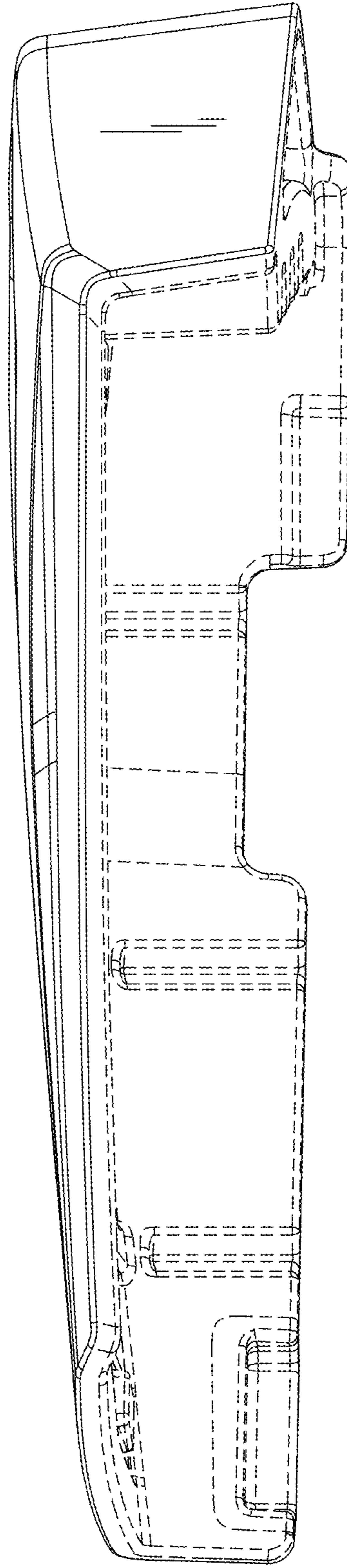


FIG. 7

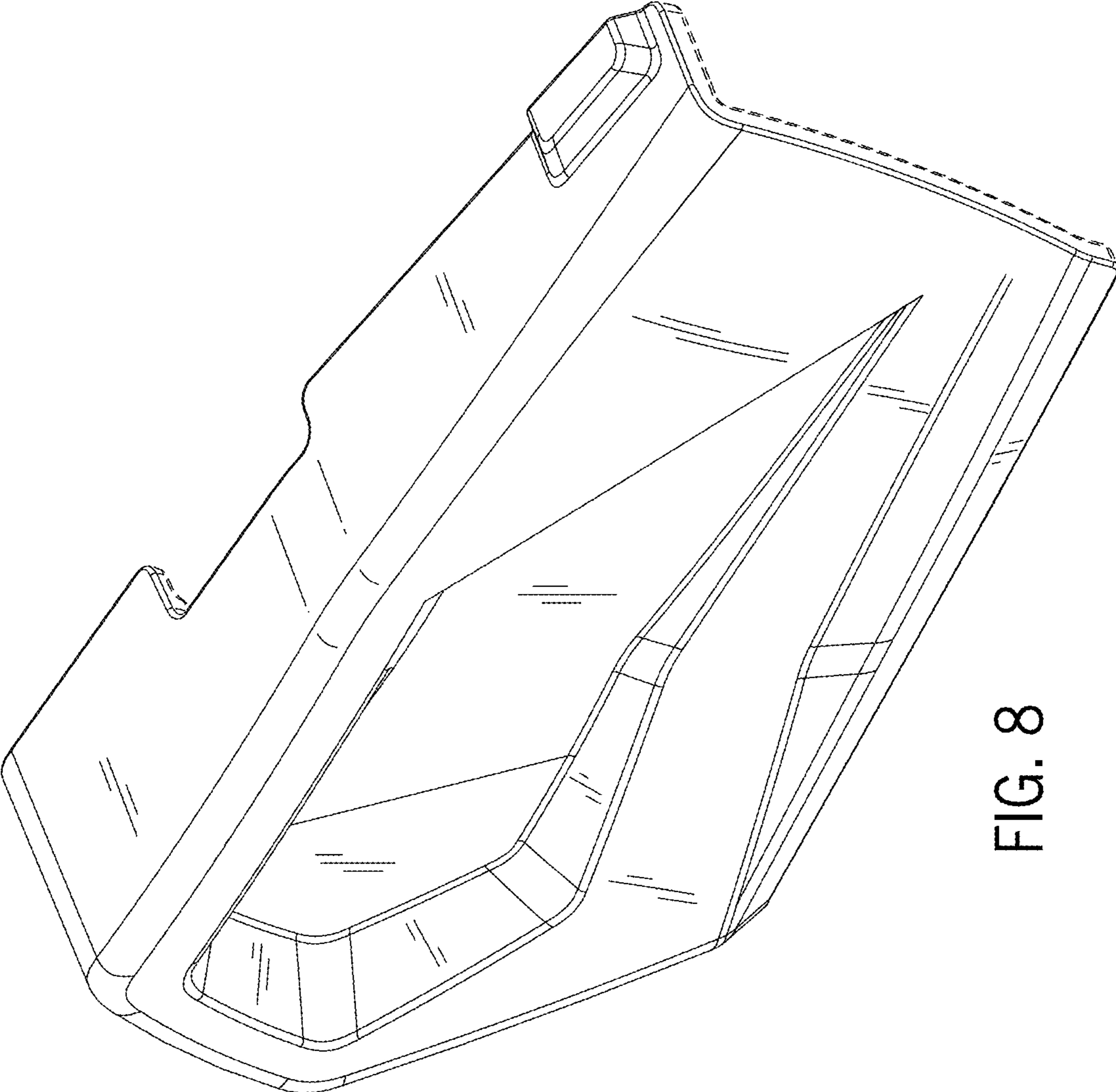


FIG. 8

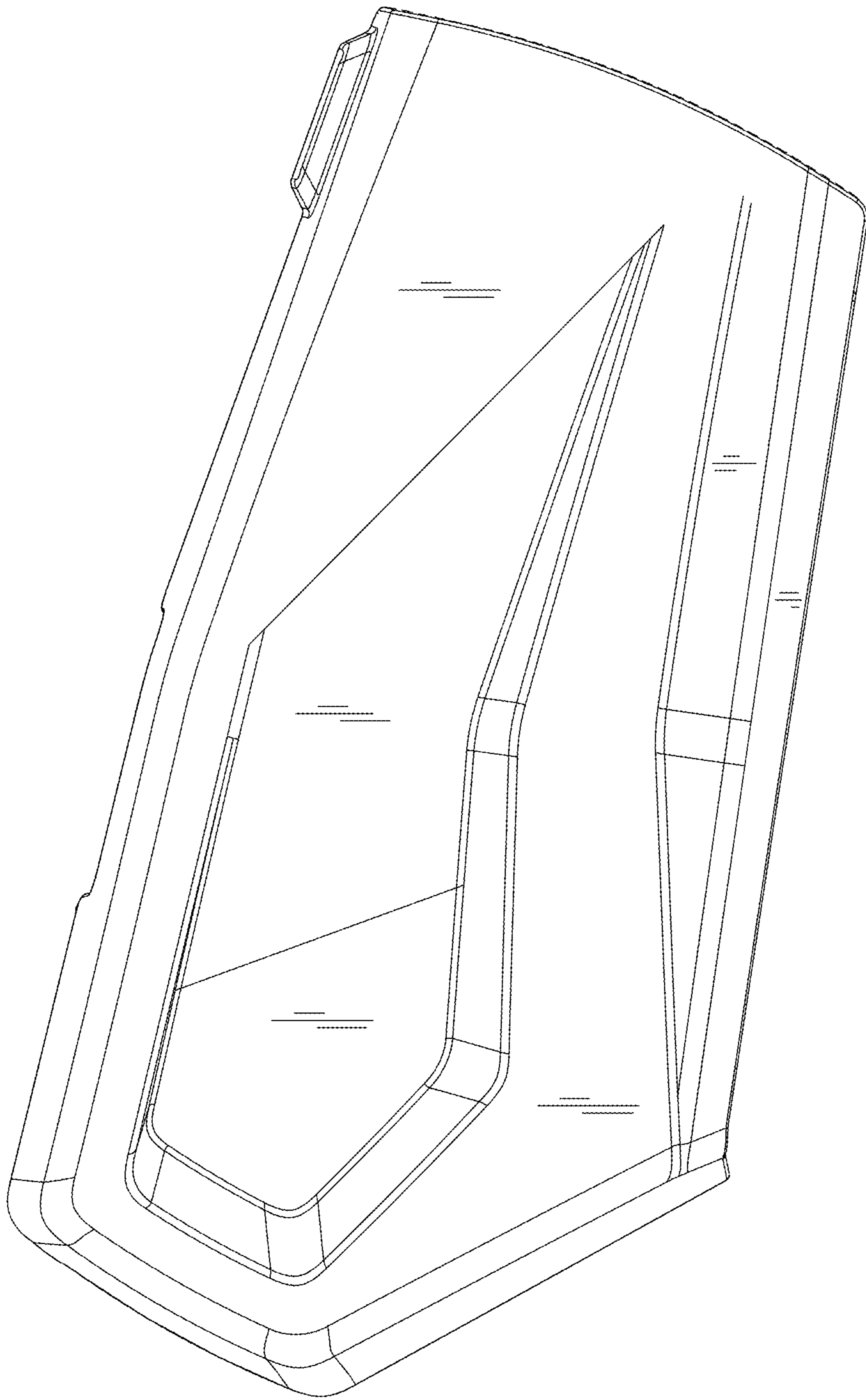


FIG. 9

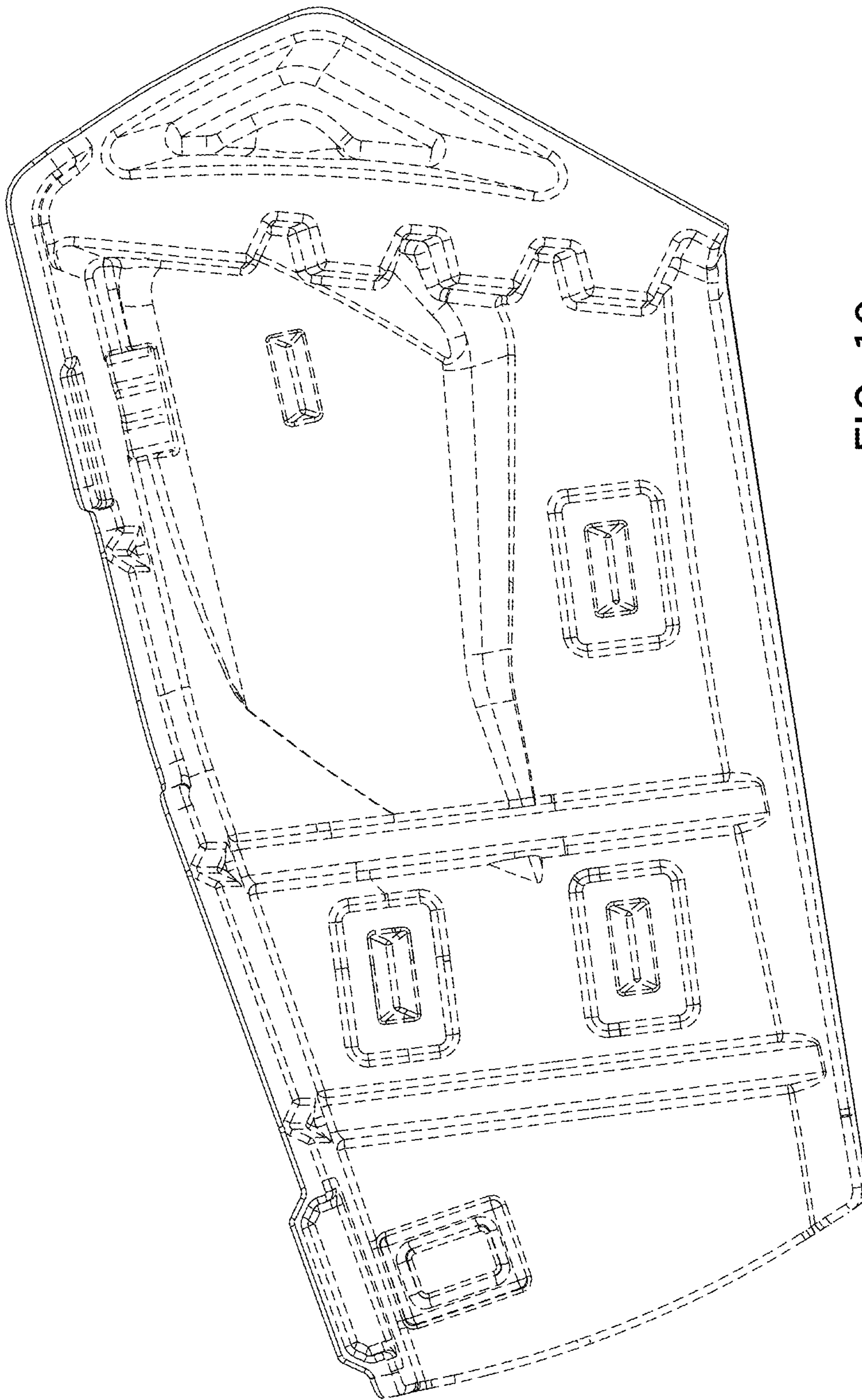


FIG. 10

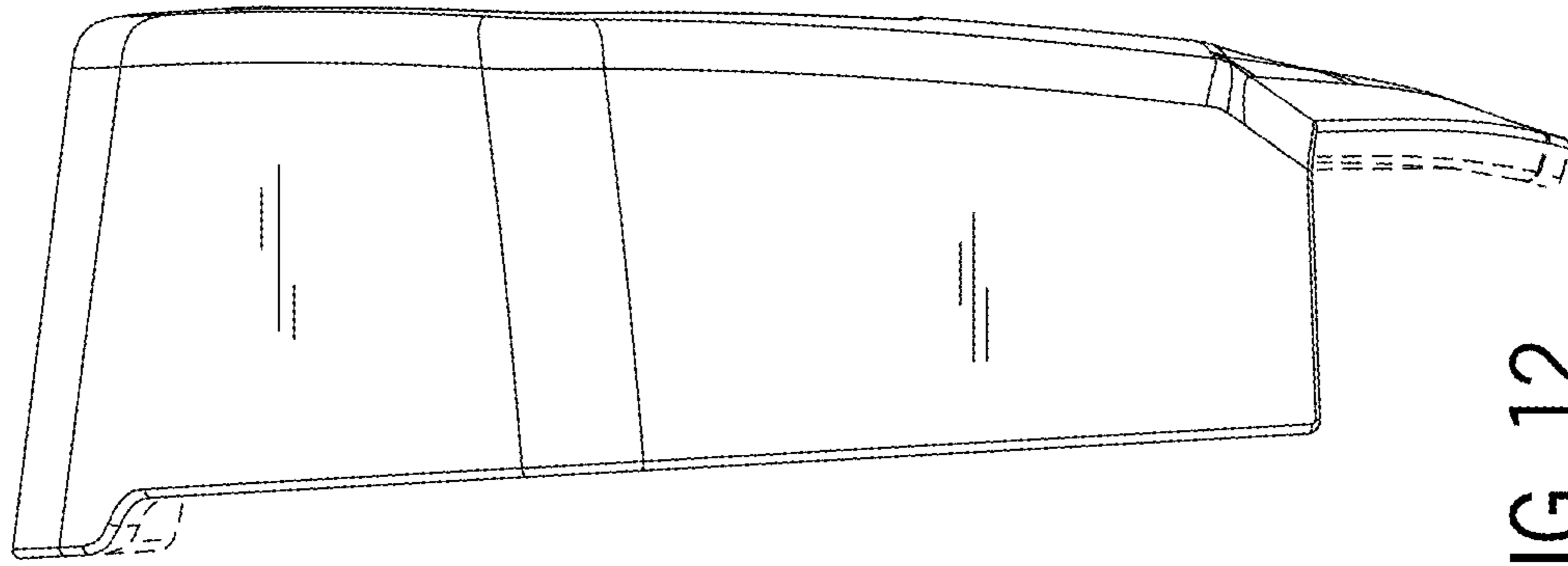


FIG. 12

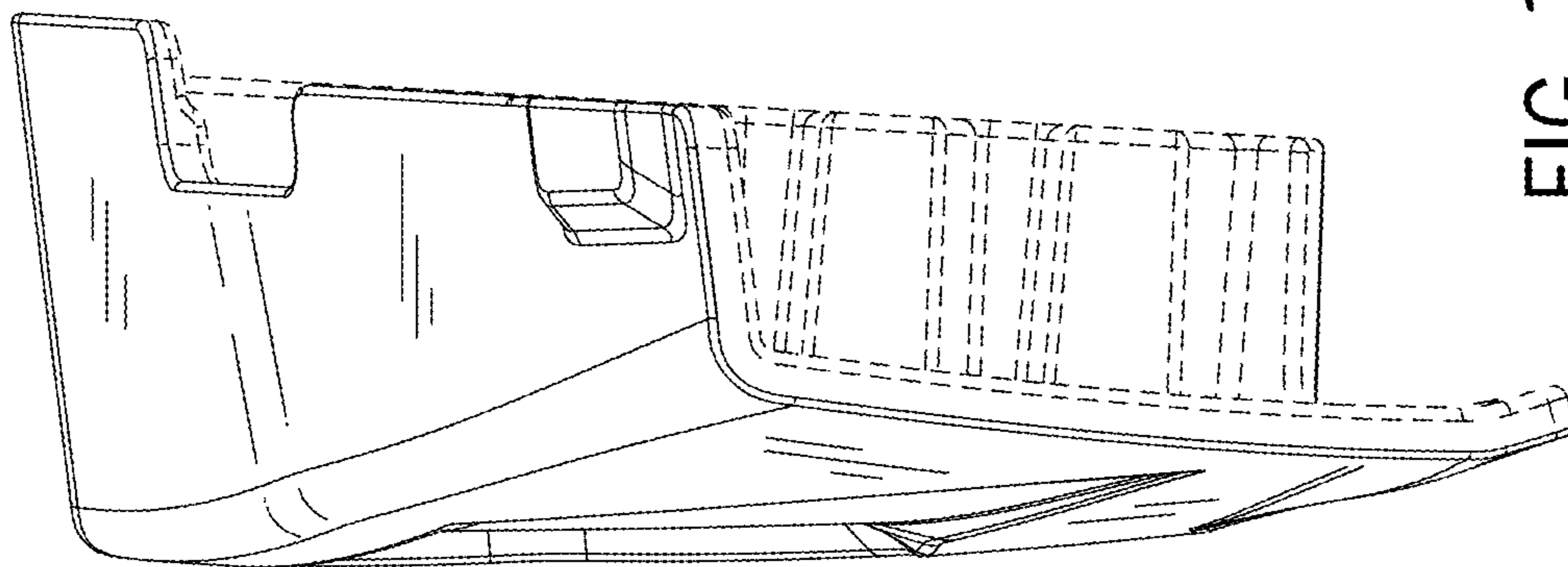


FIG. 11

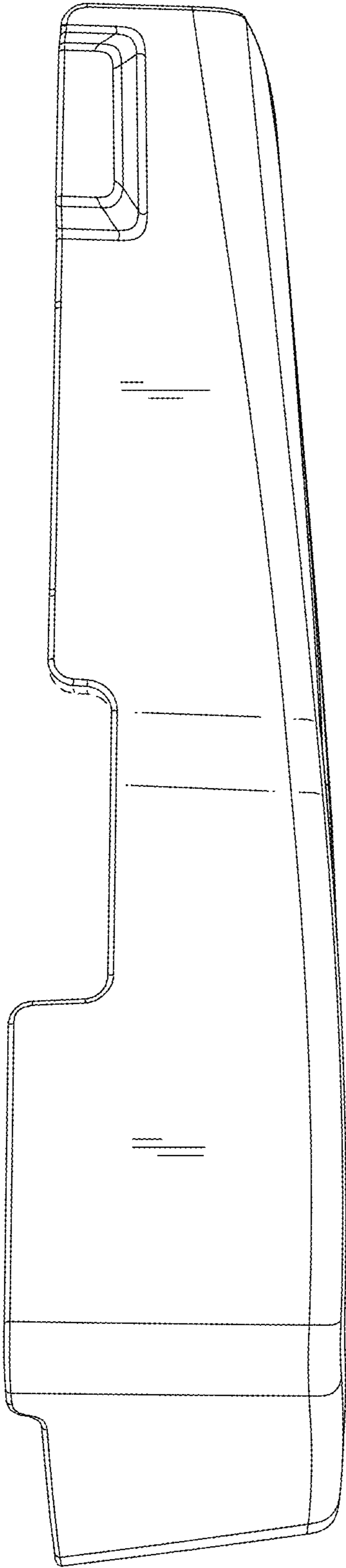


FIG. 13

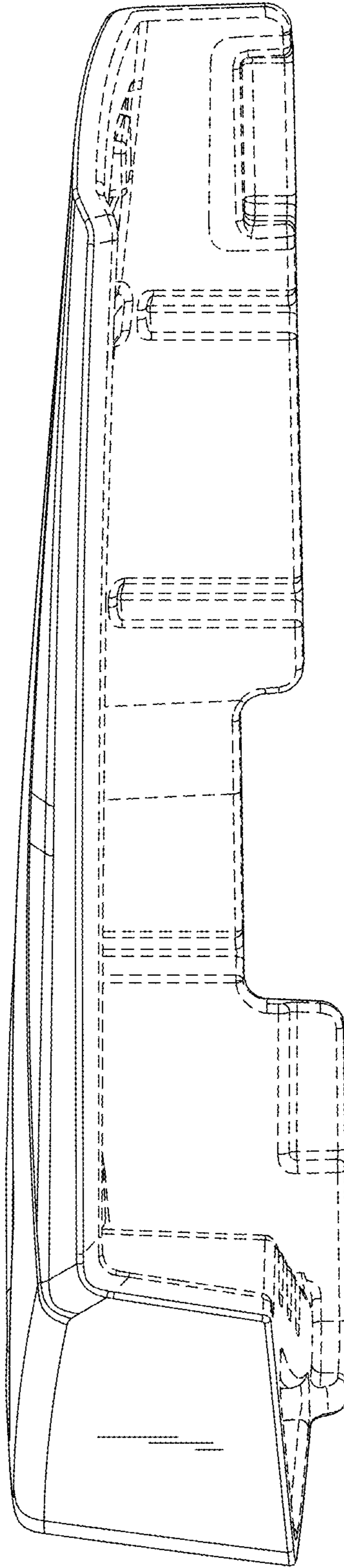


FIG. 14

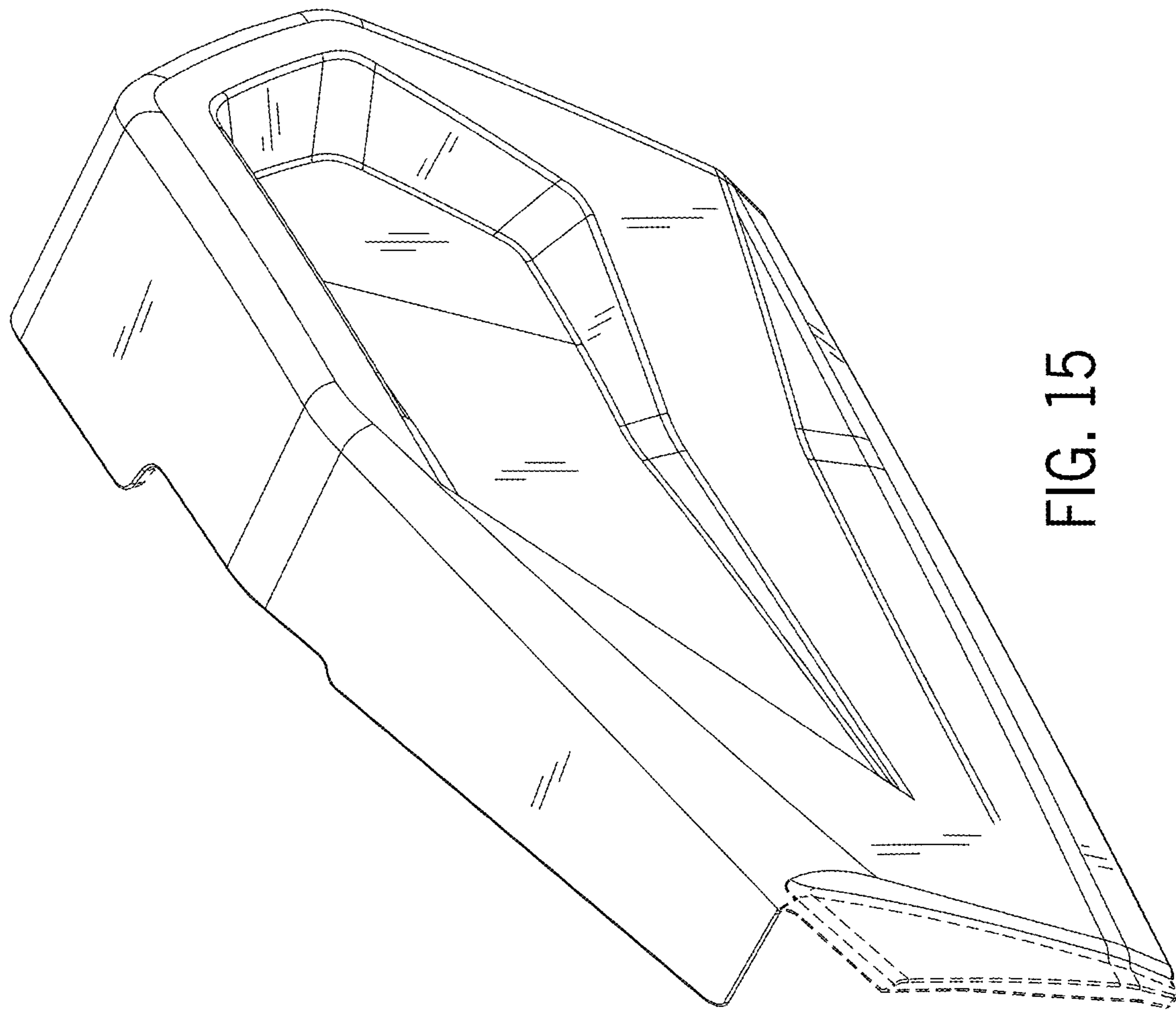


FIG. 15

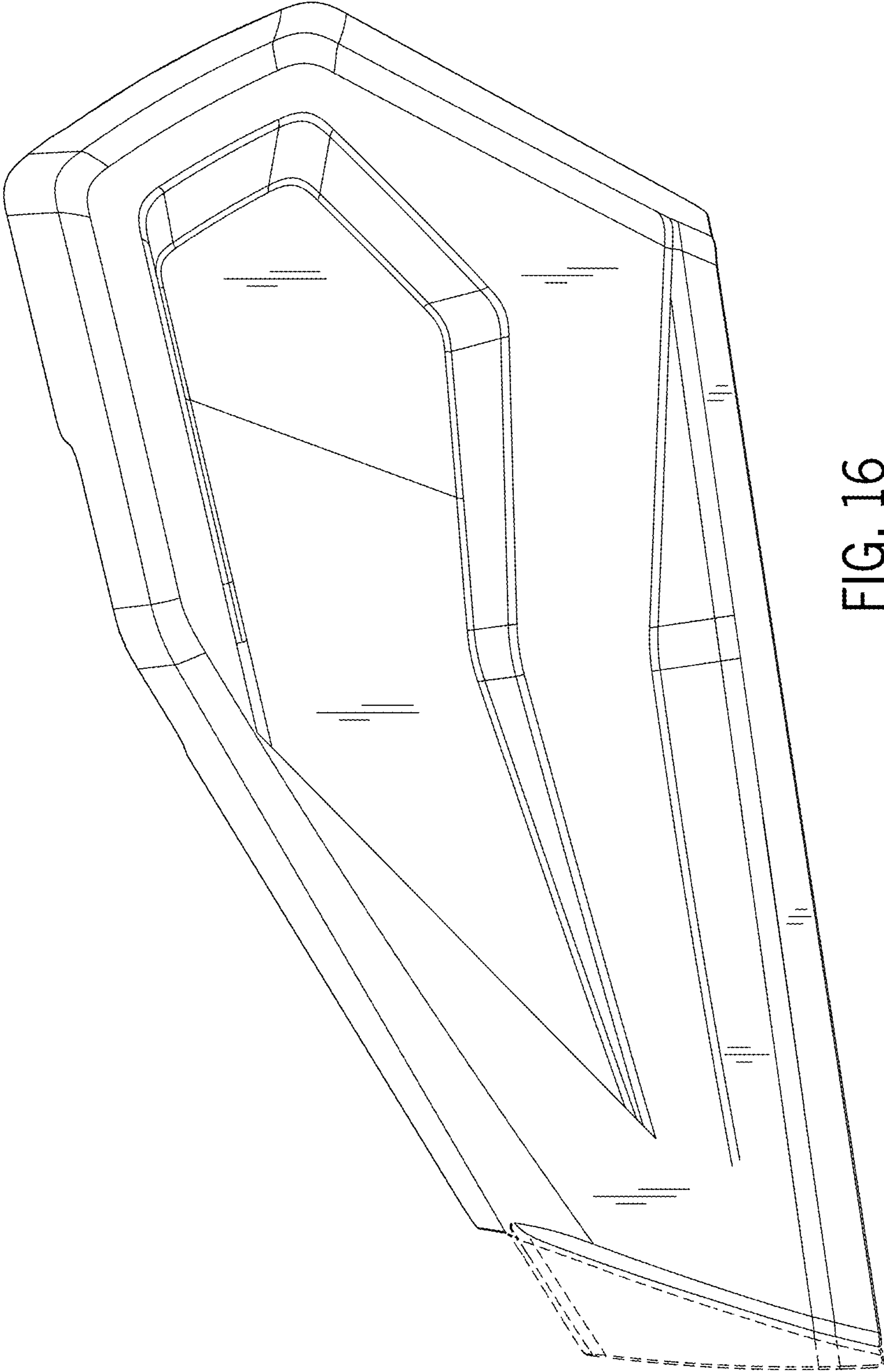


FIG. 16

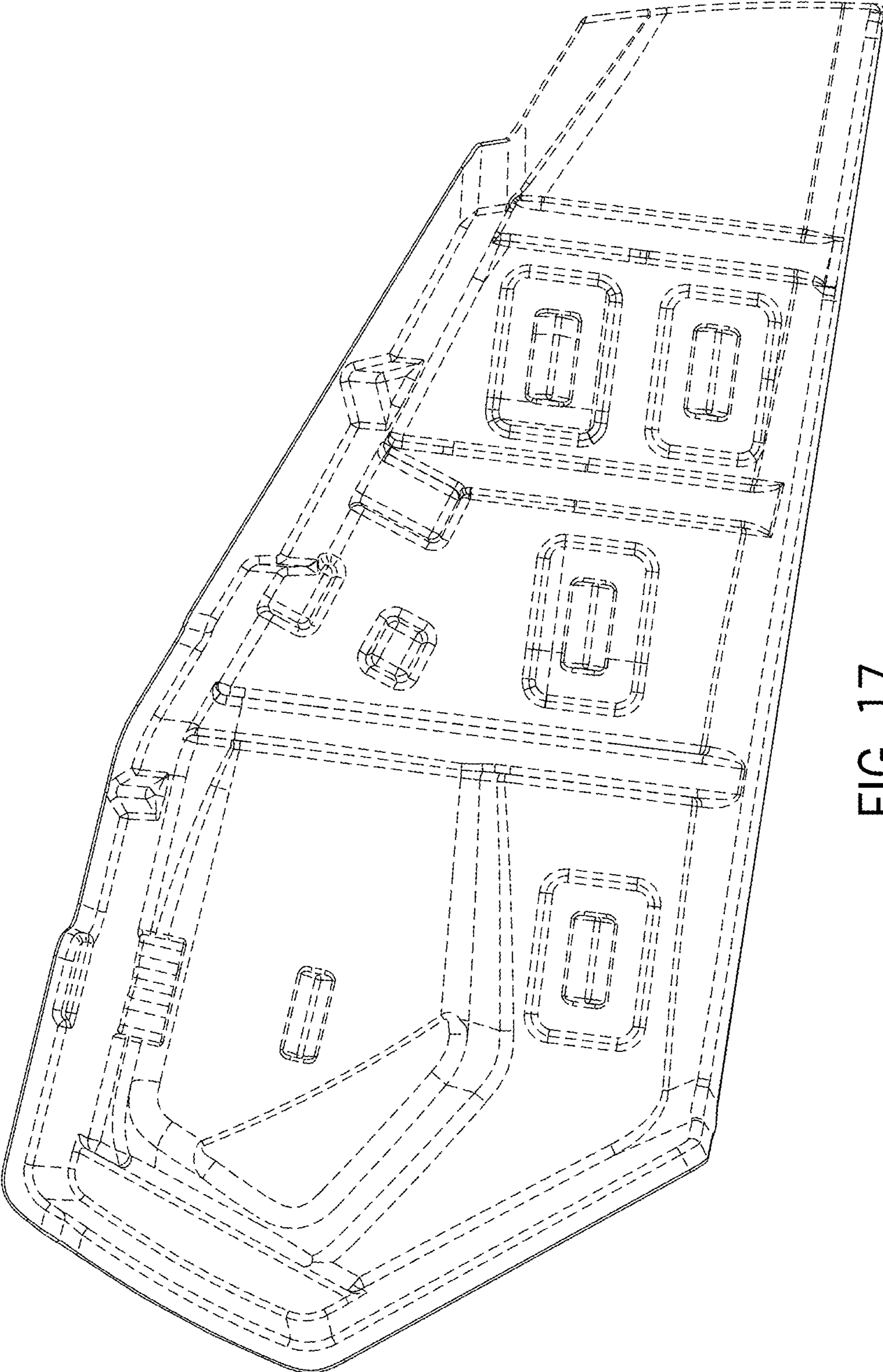


FIG. 17

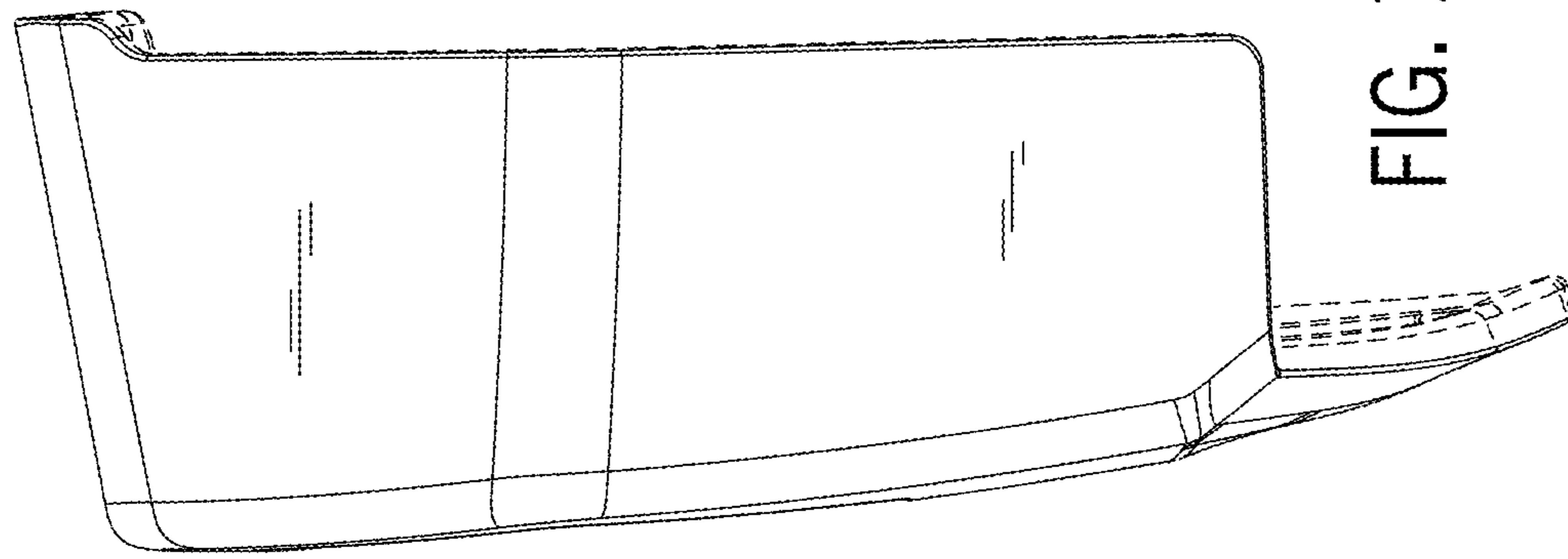


FIG. 19

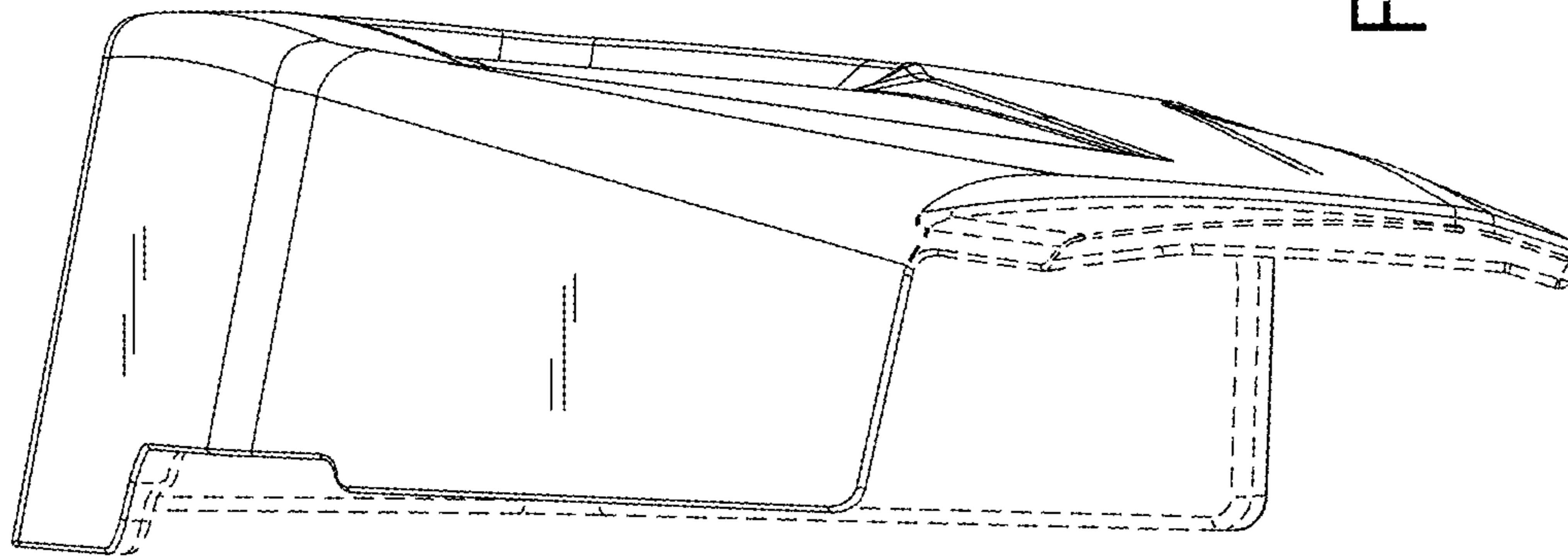


FIG. 18

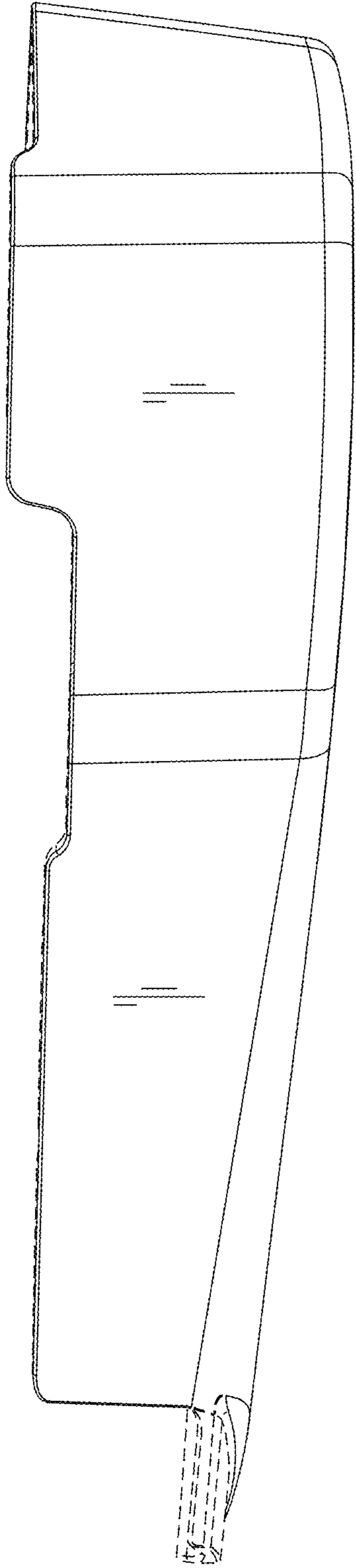


FIG. 20

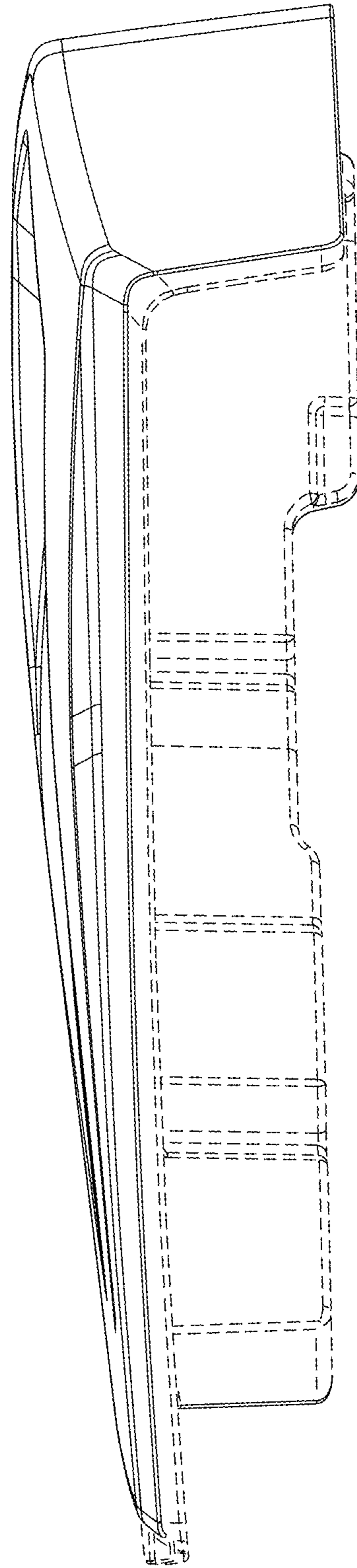


FIG. 21

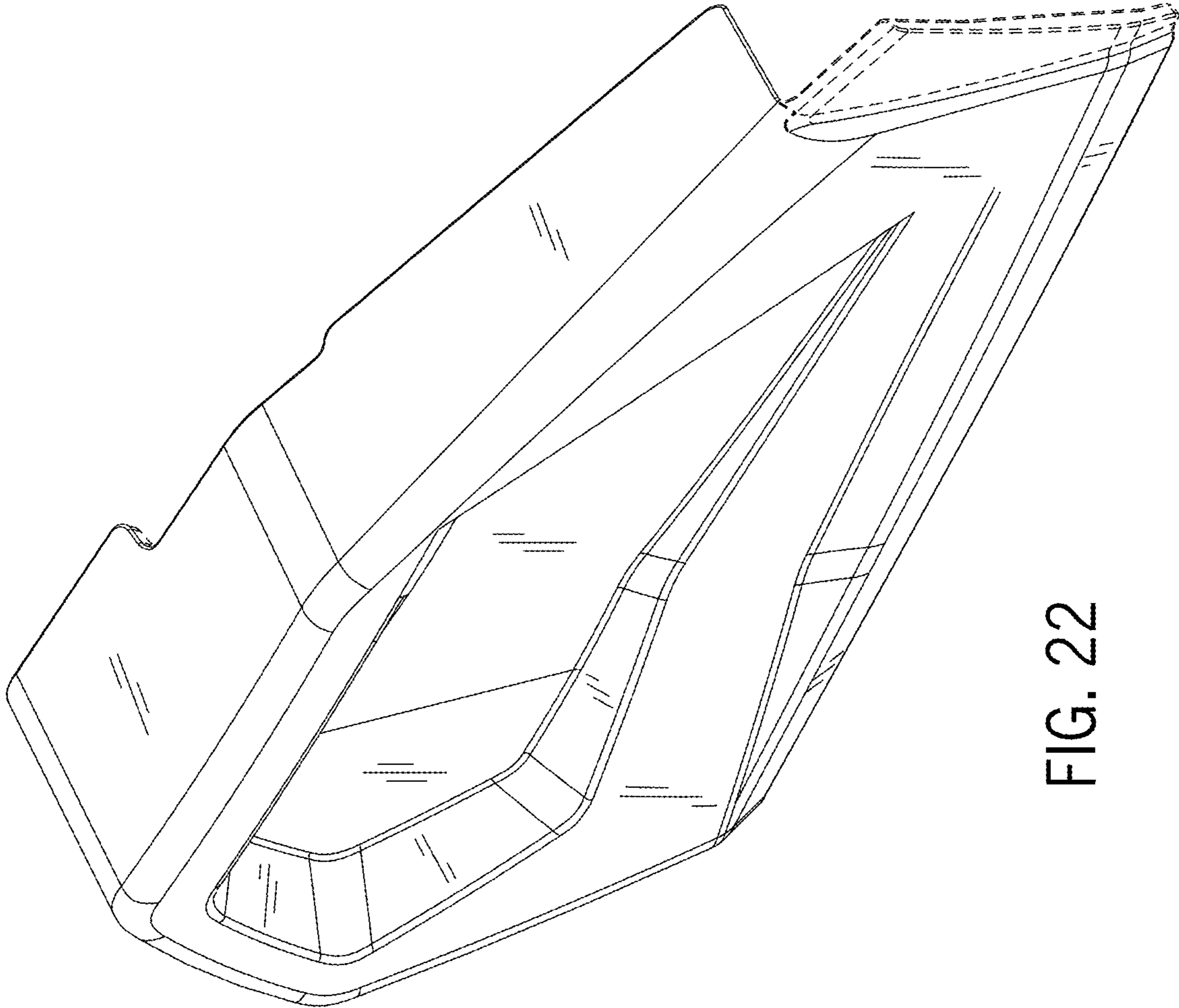


FIG. 22

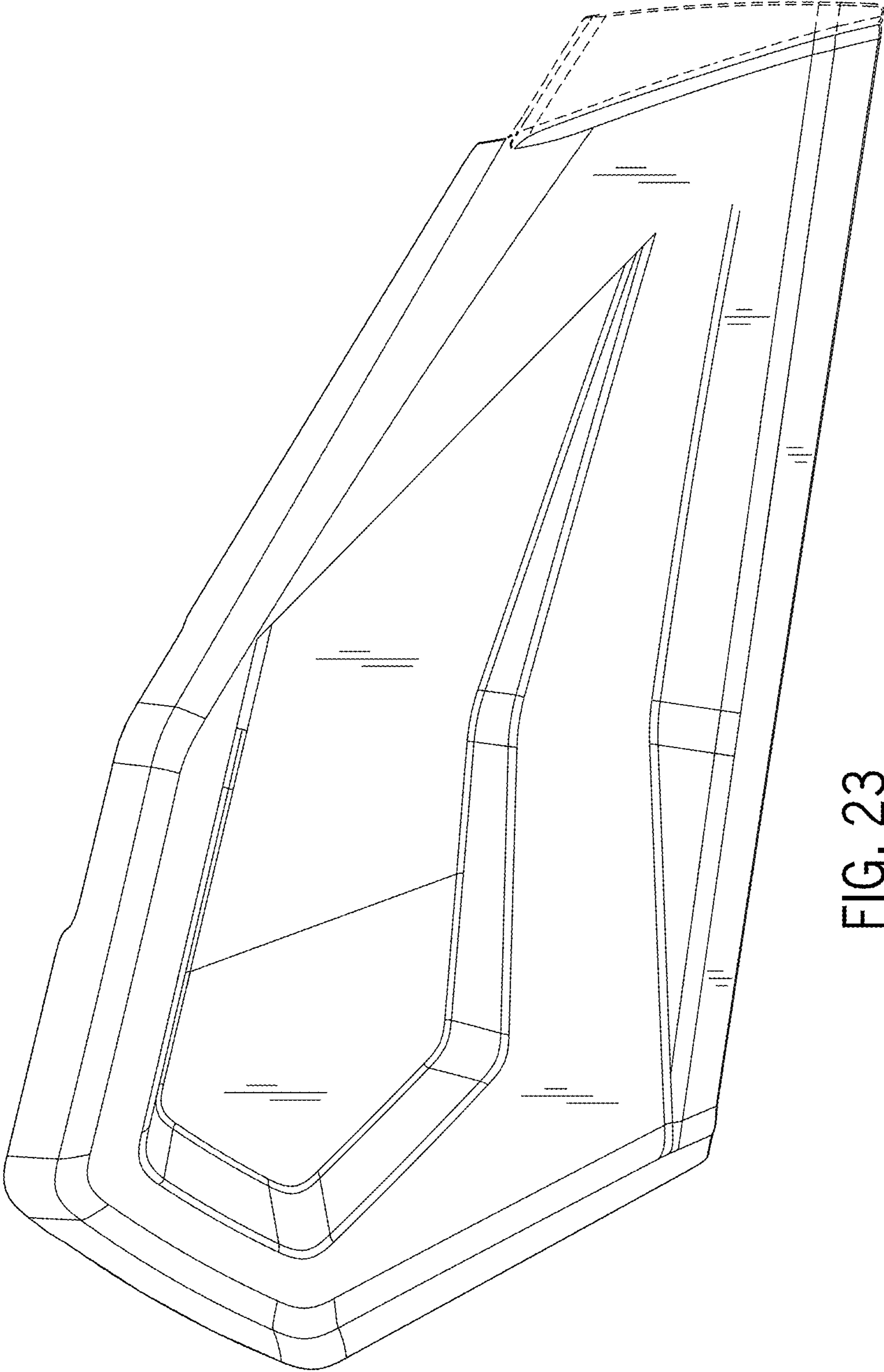


FIG. 23

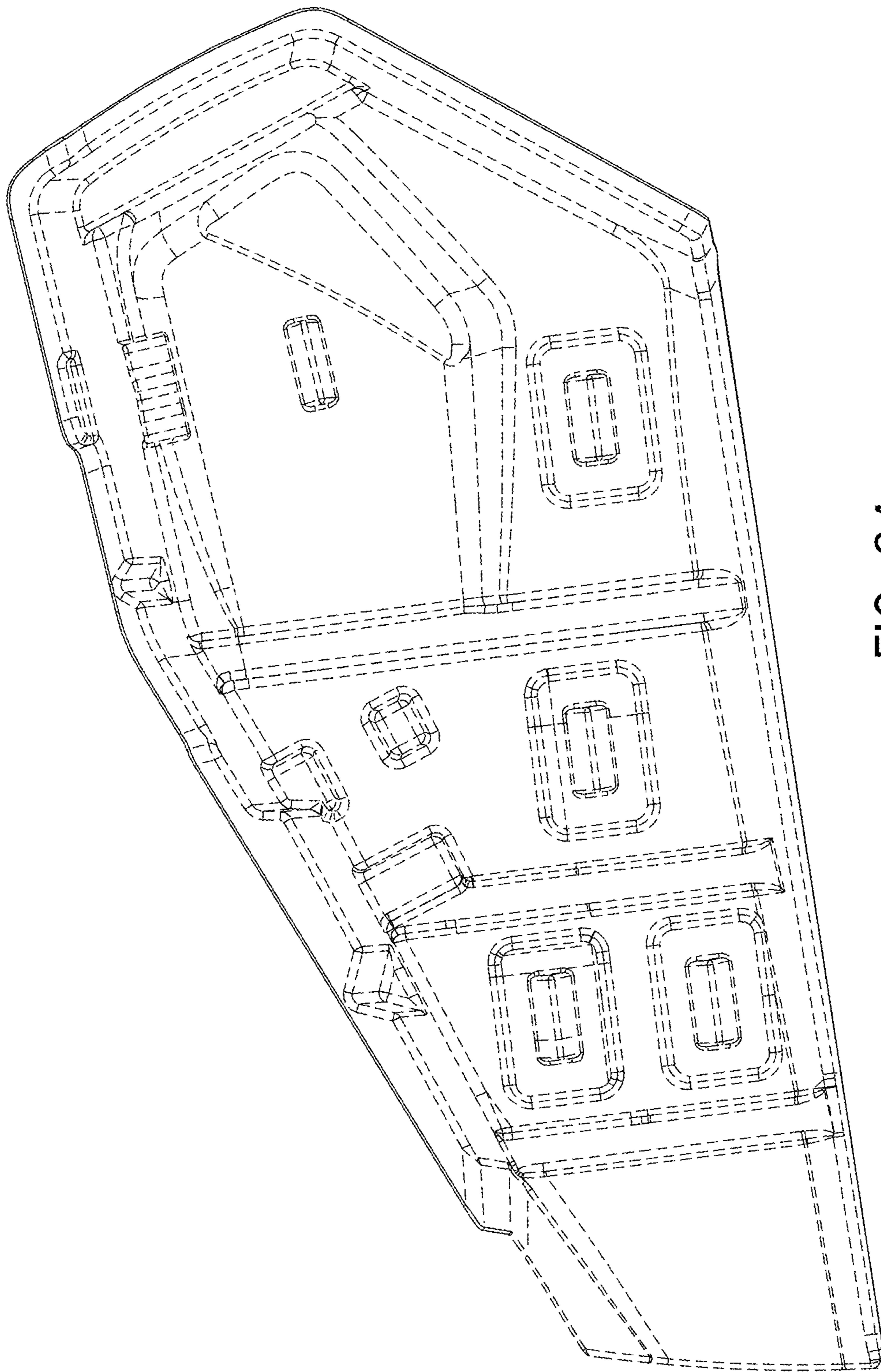


FIG. 24

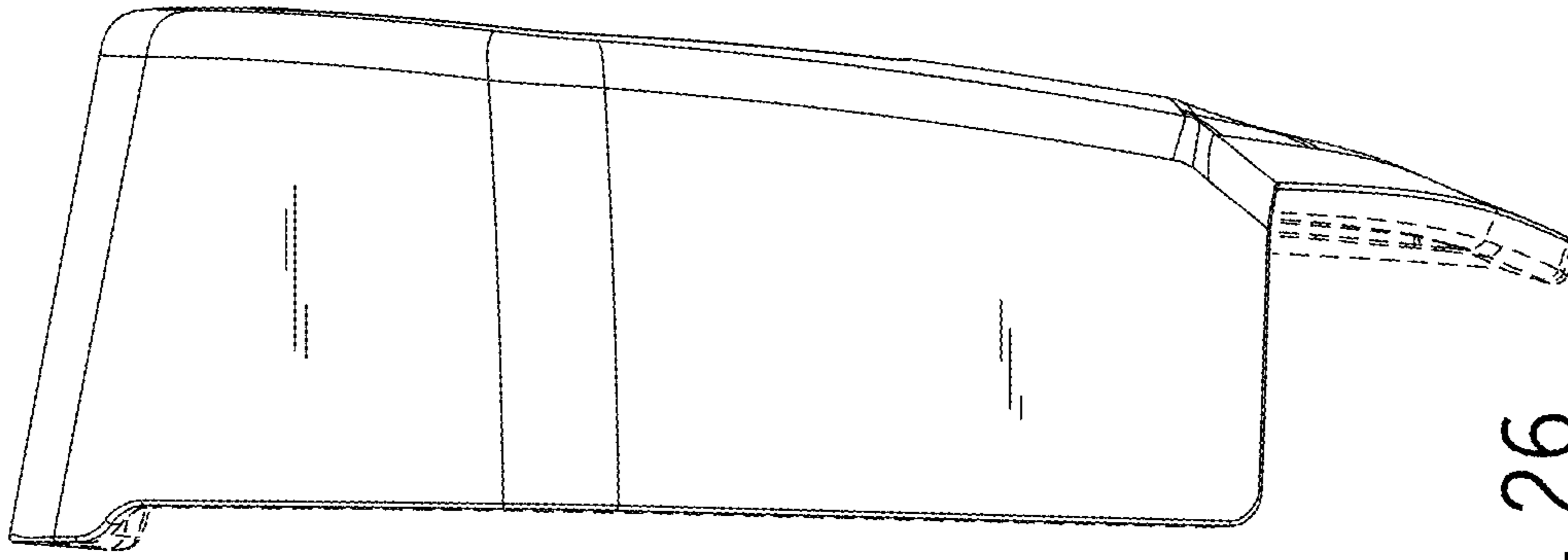


FIG. 26

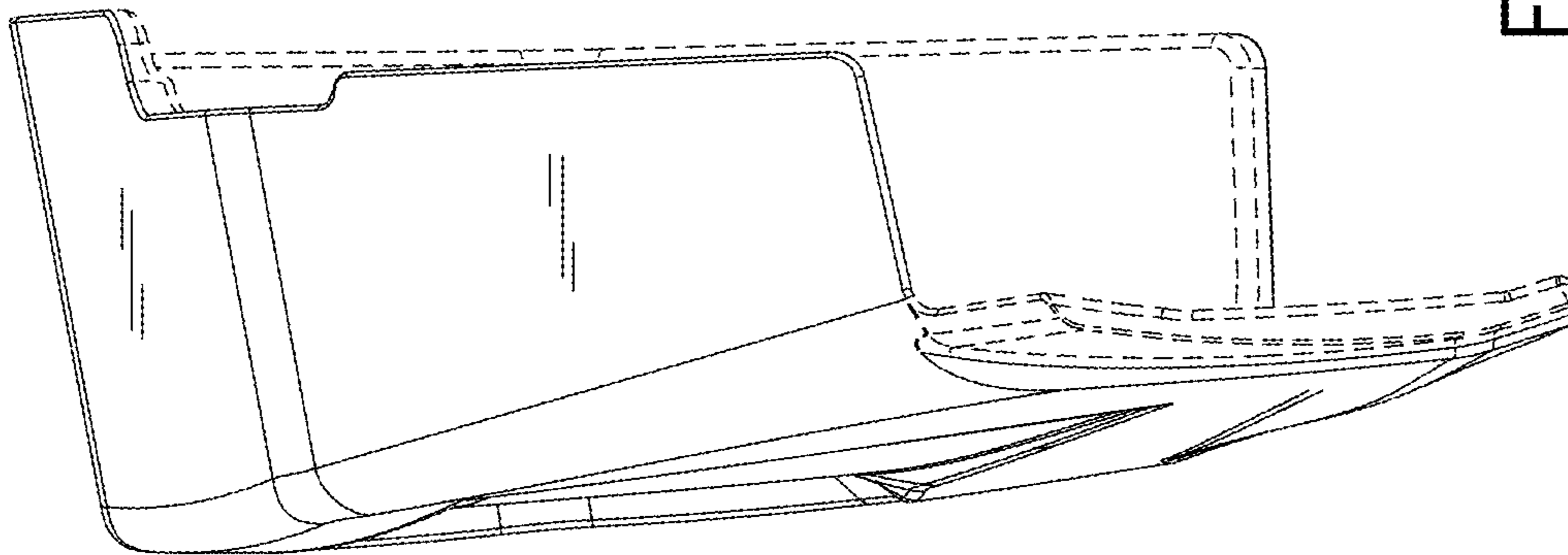


FIG. 25

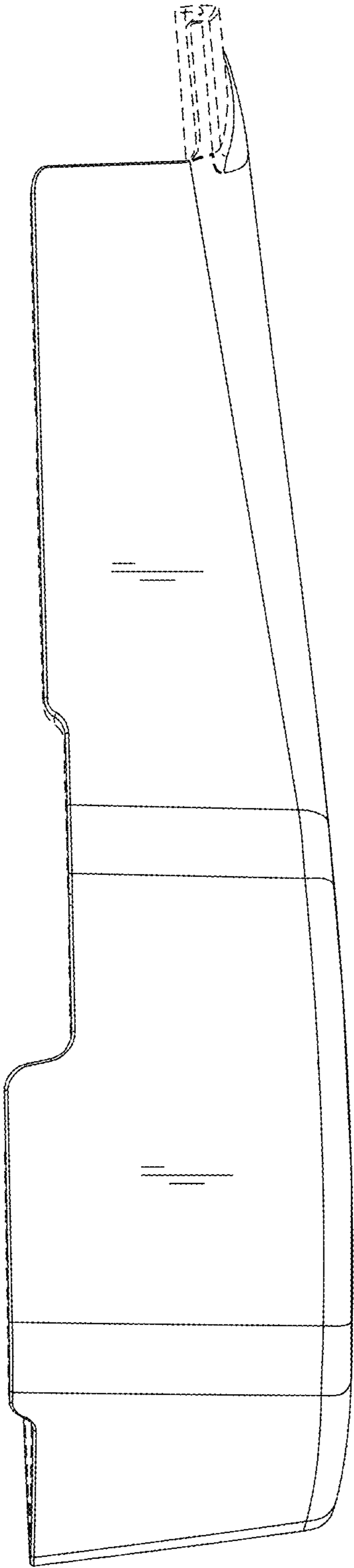


FIG. 27

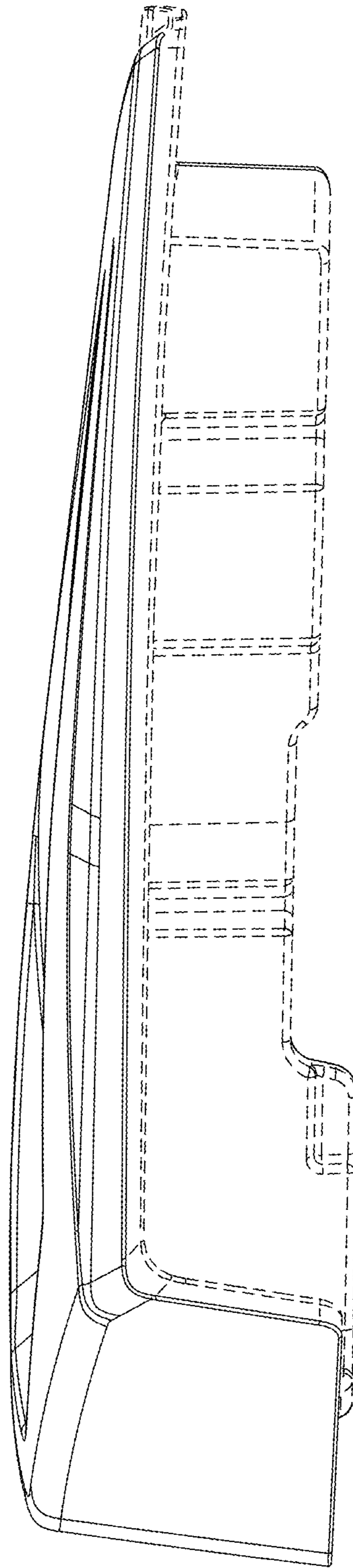


FIG. 28