



US00D934308S

(12) **United States Design Patent** (10) **Patent No.:** **US D934,308 S**  
**Rajopadhye et al.** (45) **Date of Patent:** **\*\* Oct. 26, 2021**

(54) **FENDER**

FOREIGN PATENT DOCUMENTS

(71) Applicant: **Deere & Company**, Moline, IL (US)

CN 302092321 S 9/2012  
CN 302220180 S 12/2012

(72) Inventors: **Dhananjay Rajopadhye**, Pune (IN);  
**Troy M. Heims**, Davenport, IA (US);  
**Marshall T. Graves**, Bettendorf, IA (US);  
**Vivek Vedpathak**, Pune (IN);  
**Tobias Adami**, Munich (DE); **Florian Teubner**, Munich (DE)

OTHER PUBLICATIONS

Deere & Company, Grain Harvesting Combines and Front End Equipment, Brochure, Oct. 2018.

(Continued)

(73) Assignee: **DEERE & COMPANY**, Moline, IL (US)

*Primary Examiner* — Christian P. McLean  
*Assistant Examiner* — Adam C Mager

(\*\*) Term: **15 Years**

(74) *Attorney, Agent, or Firm* — Klintworth & Rozenblat IP LLP

(21) Appl. No.: **29/712,595**

(57) **CLAIM**

The ornamental design for a fender, as shown and described.

(22) Filed: **Nov. 8, 2019**

**DESCRIPTION**

(30) **Foreign Application Priority Data**

May 9, 2019 (EM) ..... 006435889

(51) **LOC (13) Cl.** ..... **15-03**

(52) **U.S. Cl.**  
USPC ..... **D15/33**

(58) **Field of Classification Search**  
USPC ..... D12/1, 85, 86, 88, 89, 90, 91, 92, 93,  
D12/101, 102, 106, 144, 163, 164, 167,  
D12/169, 171, 173, 181, 184, 185, 190,  
D12/192, 196, 400; D21/533, 548, 552,  
D21/561; D15/10, 11, 12, 17, 22, 23, 24,  
D15/25, 26, 28, 33

FIG. 1 is a perspective view of a fender according to our new design;  
FIG. 2 is a first side elevational view thereof;  
FIG. 3 is a second side elevational view thereof;  
FIG. 4 is a first end elevational view thereof;  
FIG. 5 is a second end elevational view thereof;  
FIG. 6 is a first plan view thereof;  
FIG. 7 is a second plan view thereof;  
FIG. 8 is a perspective view of a fender according to another embodiment of our new design;  
FIG. 9 is a first side elevational view thereof;  
FIG. 10 is a second side elevational view thereof;  
FIG. 11 is a first end elevational view thereof;  
FIG. 12 is a second end elevational view thereof;  
FIG. 13 is a first plan view thereof; and,  
FIG. 14 is a second plan view thereof.

(Continued)

The broken line showing is for the purpose of illustrating environmental structure that forms no part of the claimed design.

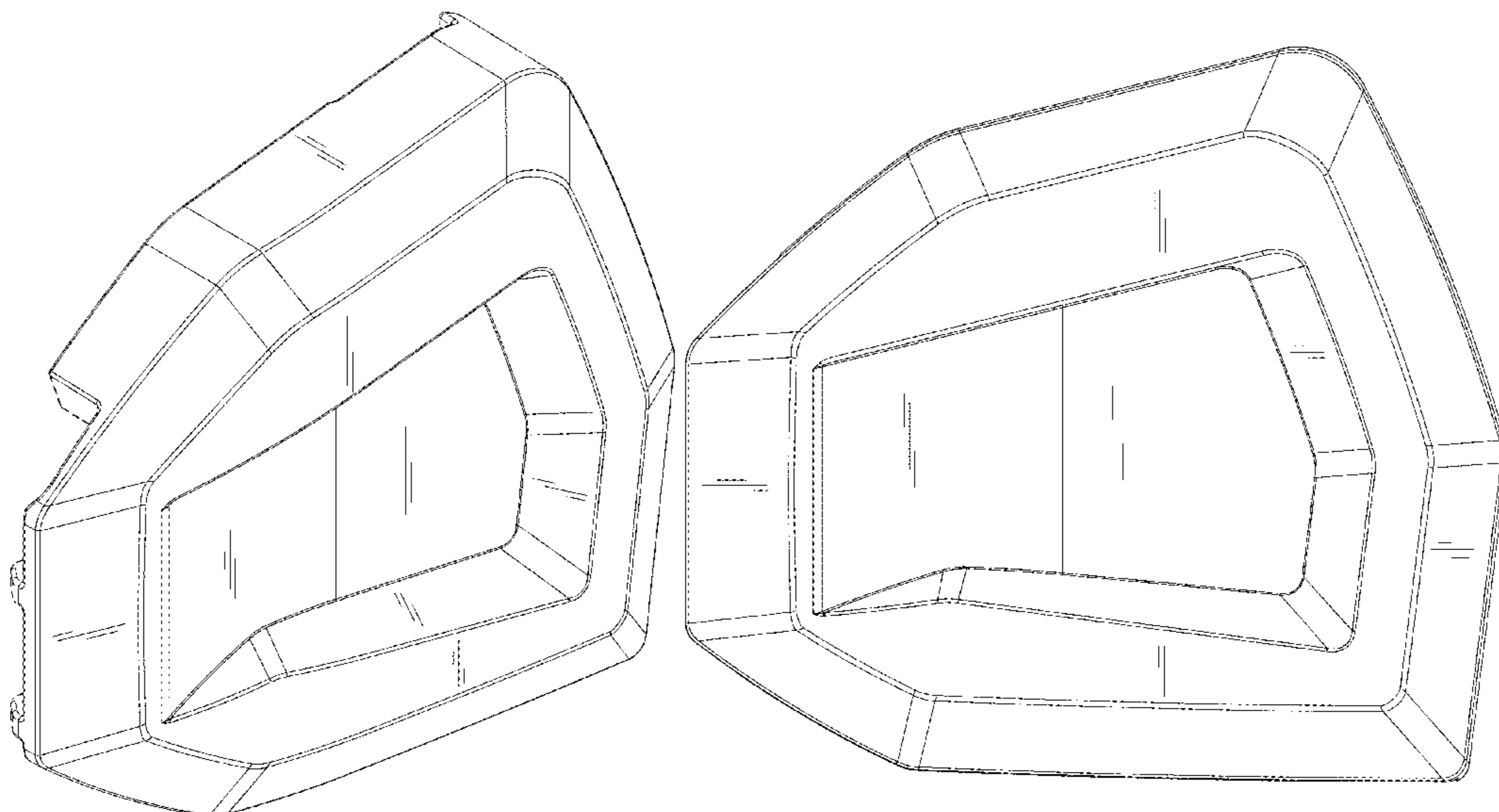
(56) **References Cited**

U.S. PATENT DOCUMENTS

D188,955 S \* 10/1960 Van Buskirk ..... D15/26  
D203,845 S \* 2/1966 Fell ..... D15/26

(Continued)

**1 Claim, 10 Drawing Sheets**



(58) **Field of Classification Search**

CPC ..... B62D 25/02; B62D 25/04; B62D 25/16;  
 B62D 25/18; B62D 25/161; B62D  
 25/168; B62D 25/182; B62D 25/184;  
 B60J 5/00; B60J 5/02; B60J 5/04; B60J  
 5/10; B60R 13/04; B60R 13/0861; B60R  
 19/00; A01B 73/00; A01D 75/00; A01D  
 41/00; A01D 41/06; A01D 41/1208;  
 A01D 67/00; A01D 45/00; A01D 45/02;  
 A01D 45/021; A01D 43/081

See application file for complete search history.

(56) **References Cited**

U.S. PATENT DOCUMENTS

4,502,270	A	3/1985	Shupert	
9,717,181	B2*	8/2017	Boyd, III	A01D 41/16
D797,158	S*	9/2017	Johnson	D15/28
D835,684	S*	12/2018	Zabe	D15/28
10,405,474	B2*	9/2019	Brimeyer	A01D 41/16
2015/0027097	A1*	1/2015	Schrattenecker	A01D 41/02 56/13.5
2016/0270291	A1*	9/2016	van Vooren	A01D 69/03
2017/0086374	A1	3/2017	Engel	
2018/0054969	A1*	3/2018	Berggren	A01D 63/02

2019/0110402	A1*	4/2019	Vandeven	A01D 41/14
2019/0110403	A1*	4/2019	Braet	A01D 34/04
2020/0323131	A1*	10/2020	Lardner	A01D 61/02

OTHER PUBLICATIONS

Claas of America, Improves Profitability with Increasing Revenue, Google Search, <https://www.serbia.claas.com/news-testimonials/current/claas-news/claas-improves-profitability-with-increasing-revenue-/1904264>, 2019.  
 Claas of America, photograph of header, 2017.  
 New Holland, Overview—Corn Heads Leading From The Front, Combines & Headers, <https://agriculture.newholland.com/nar/en-us/equipment/products/combines-and-headers/corn-heads>, 2019.  
 Macdon Industries Ltd, D65 Draper Header, Draper Headers for Combine, <https://www.macdon.com/en/products/d65-draper-headers-for-combine/>, 2019.  
 New Holland, Draper Heads—Overview Combines & Headers New Holland (US) NHAG, <https://agriculture.newholland.com/nar/en-us/equipment/products/combines-and-headers/draper-heads>, 2019.  
 Case IH, Draper Heads Combine Harvester, Case IH 3100 Series II Draper Heads, <https://www.caseih.com/northamerica/en-us/products/harvesting/draper-heads>, Copyright 2020.  
 Massey Ferguson, 9250 DynaFlex Draper Header, <http://www.masseyferguson.us/products/combine-harvesting/9250-dynaflex-draper-headers.html#0>, Copyright 2020.

\* cited by examiner

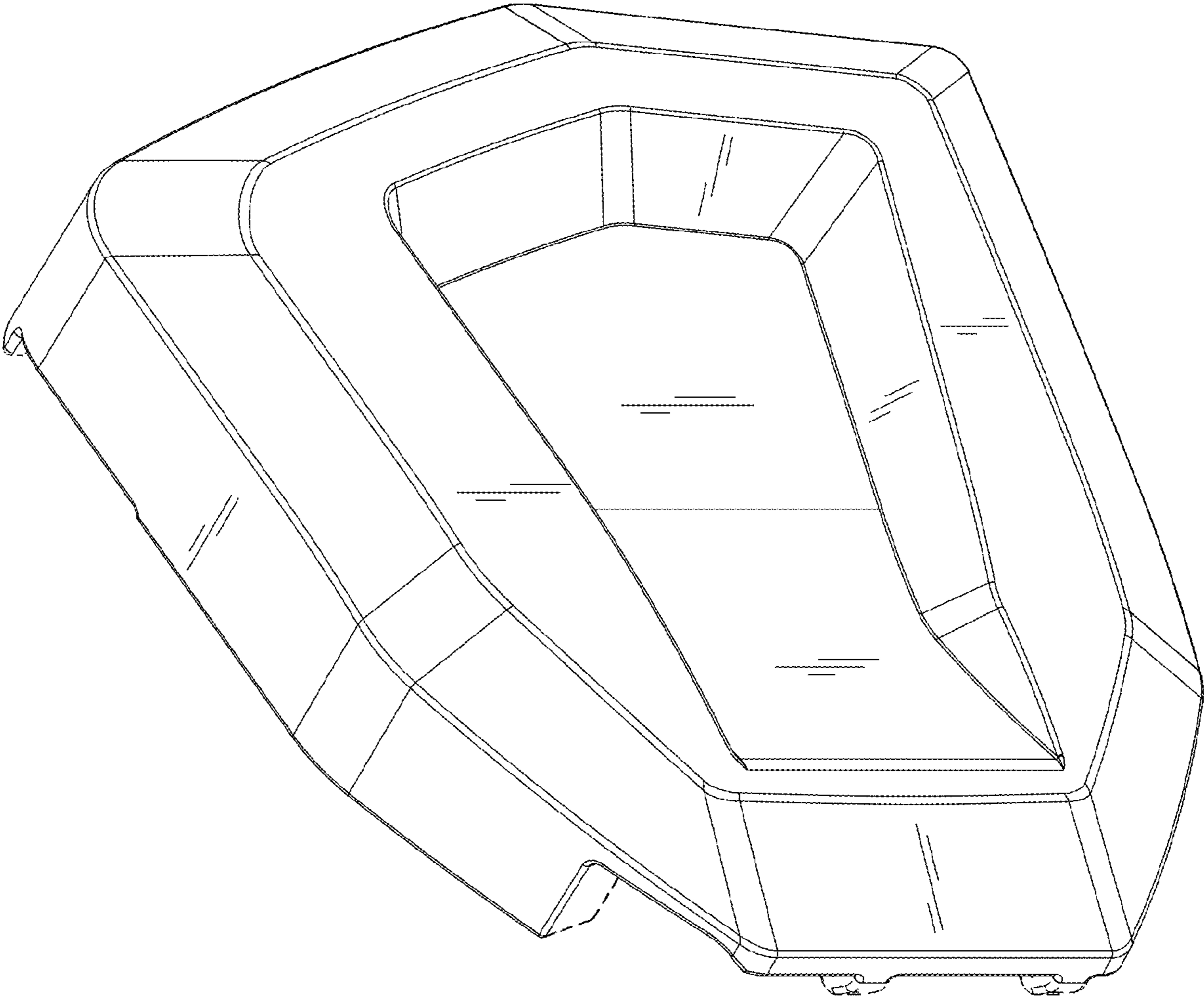


FIG. 1

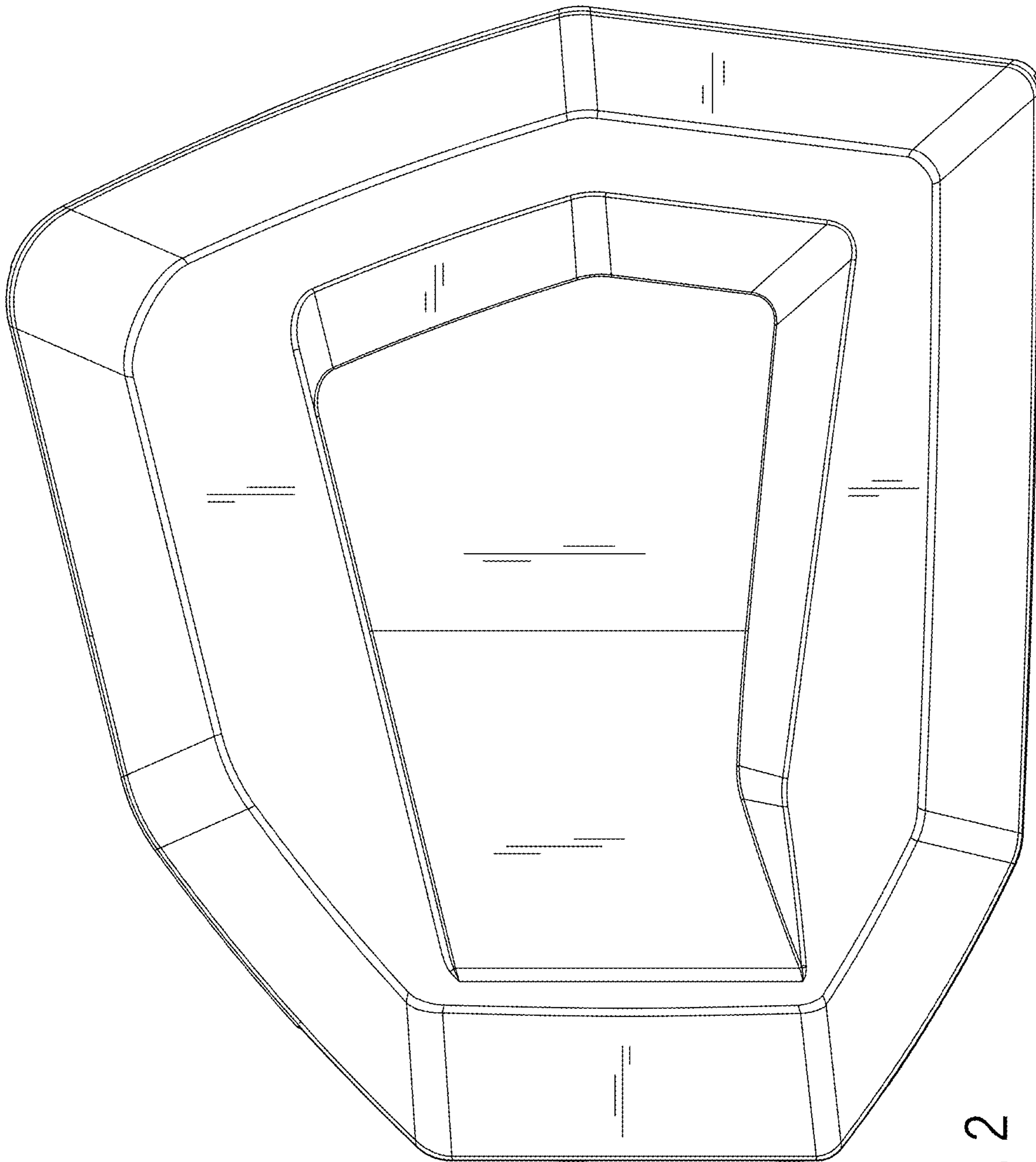


FIG. 2

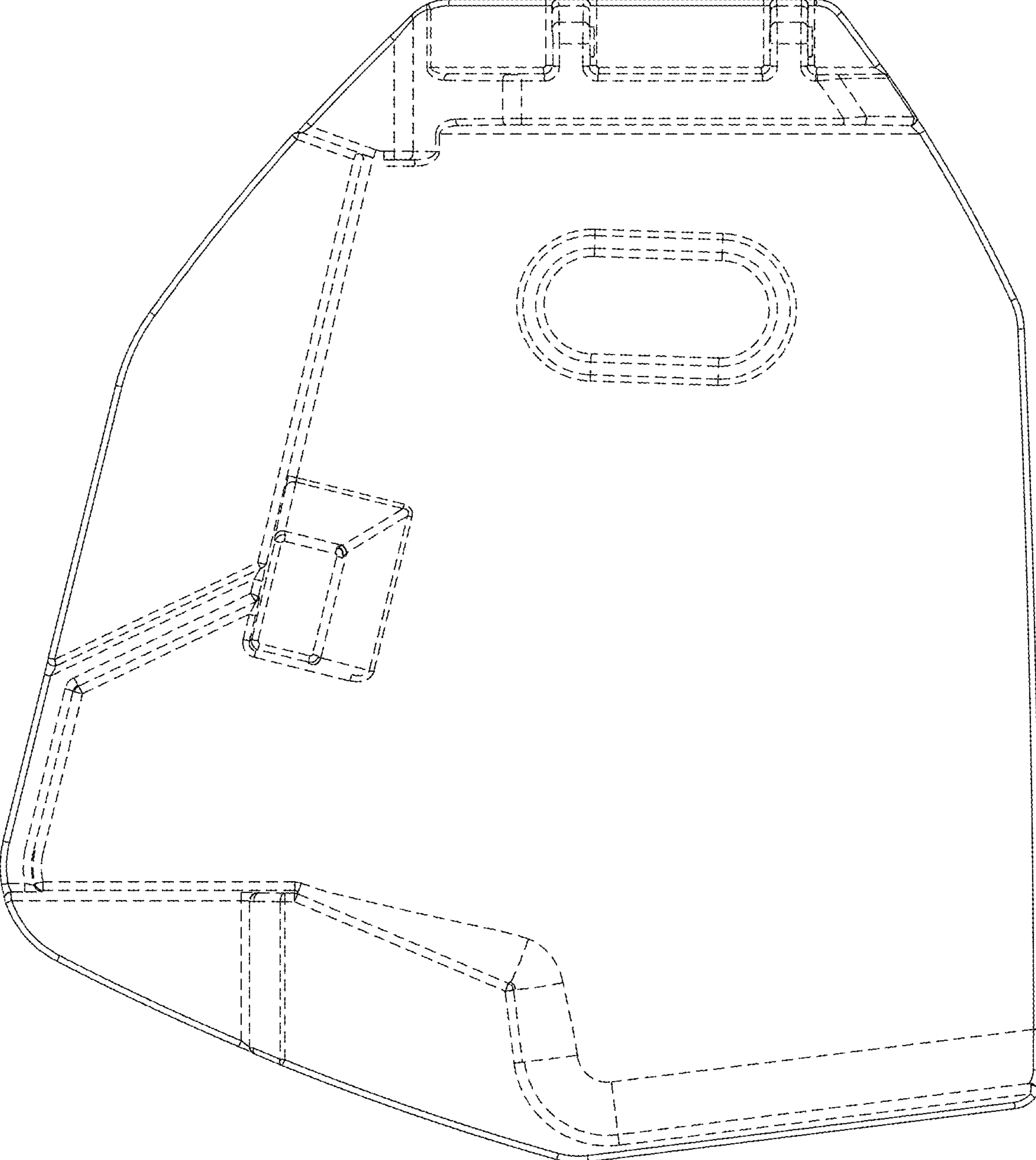


FIG. 3

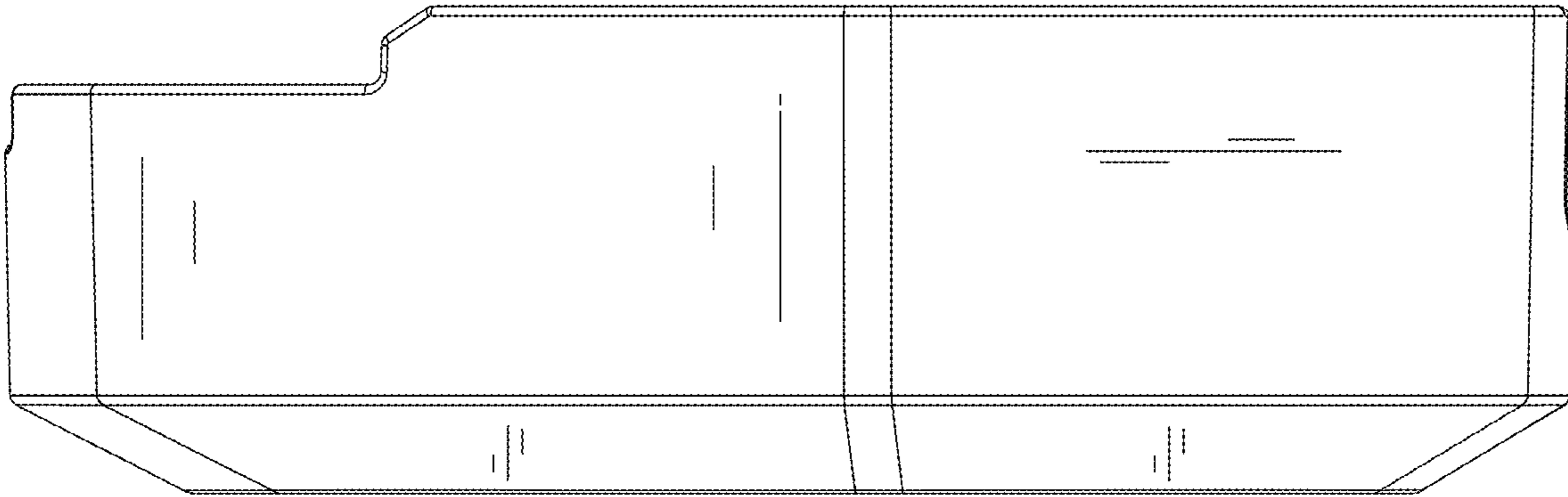


FIG. 5

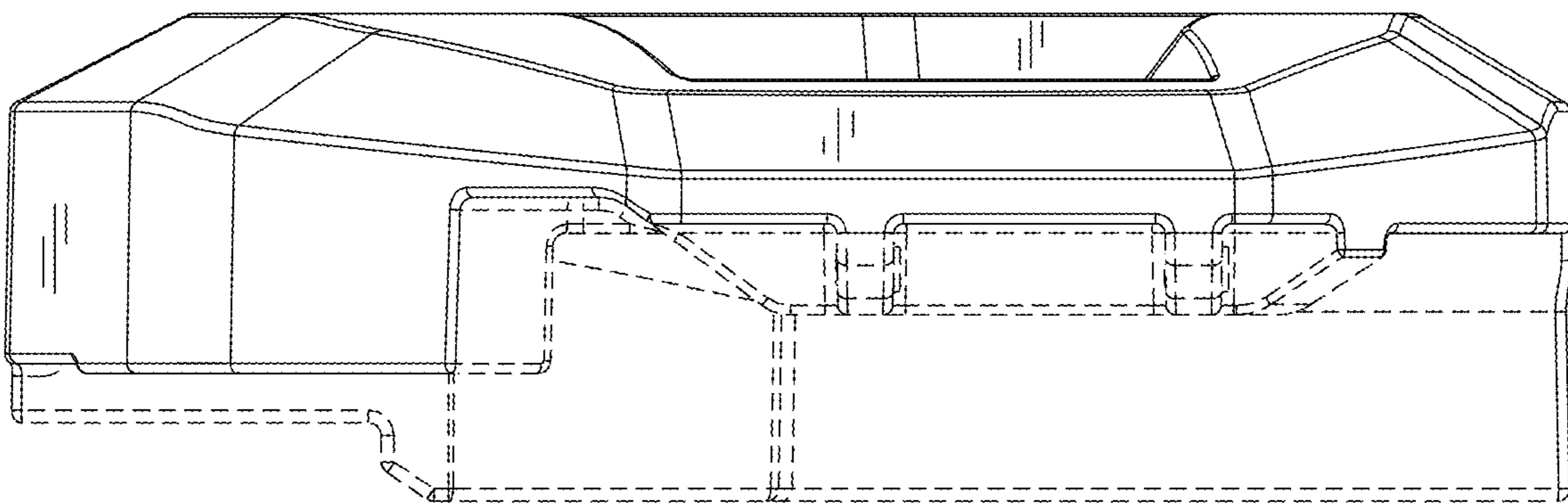


FIG. 4

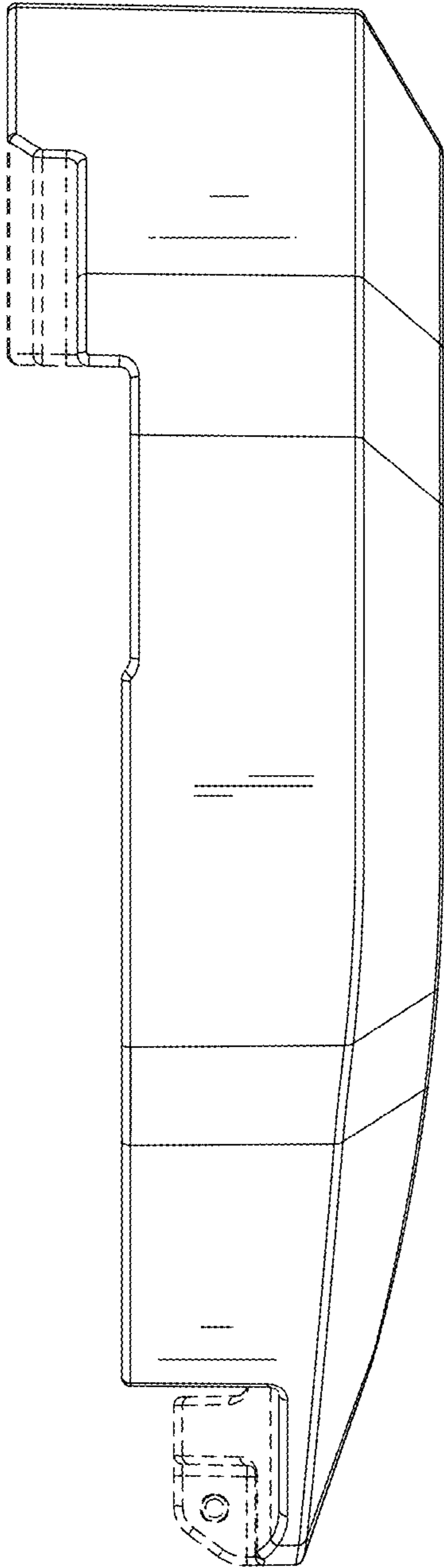


FIG. 6

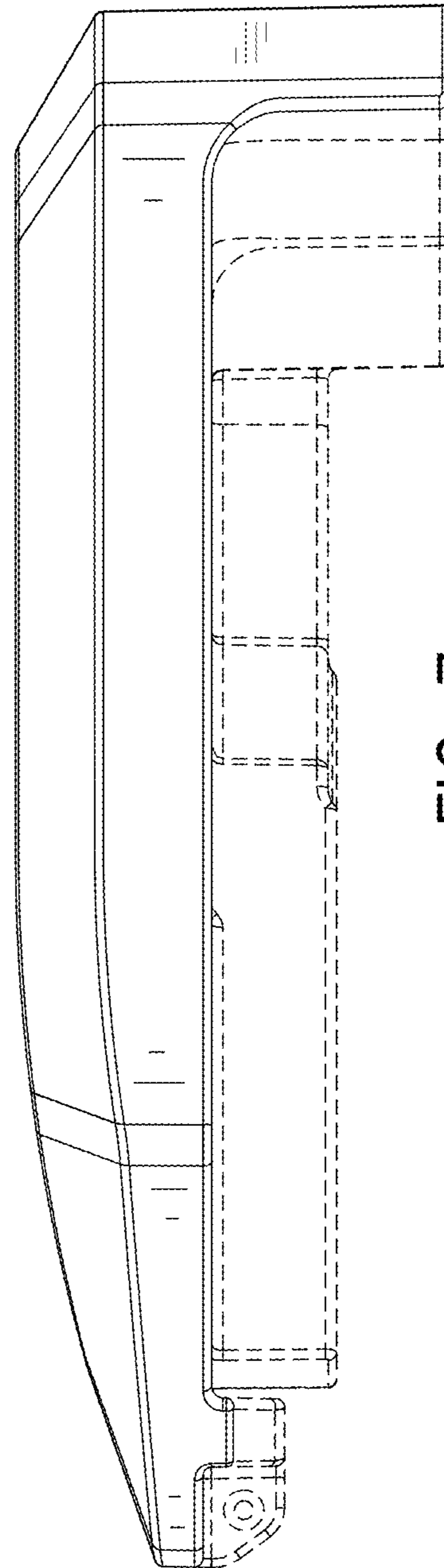


FIG. 7

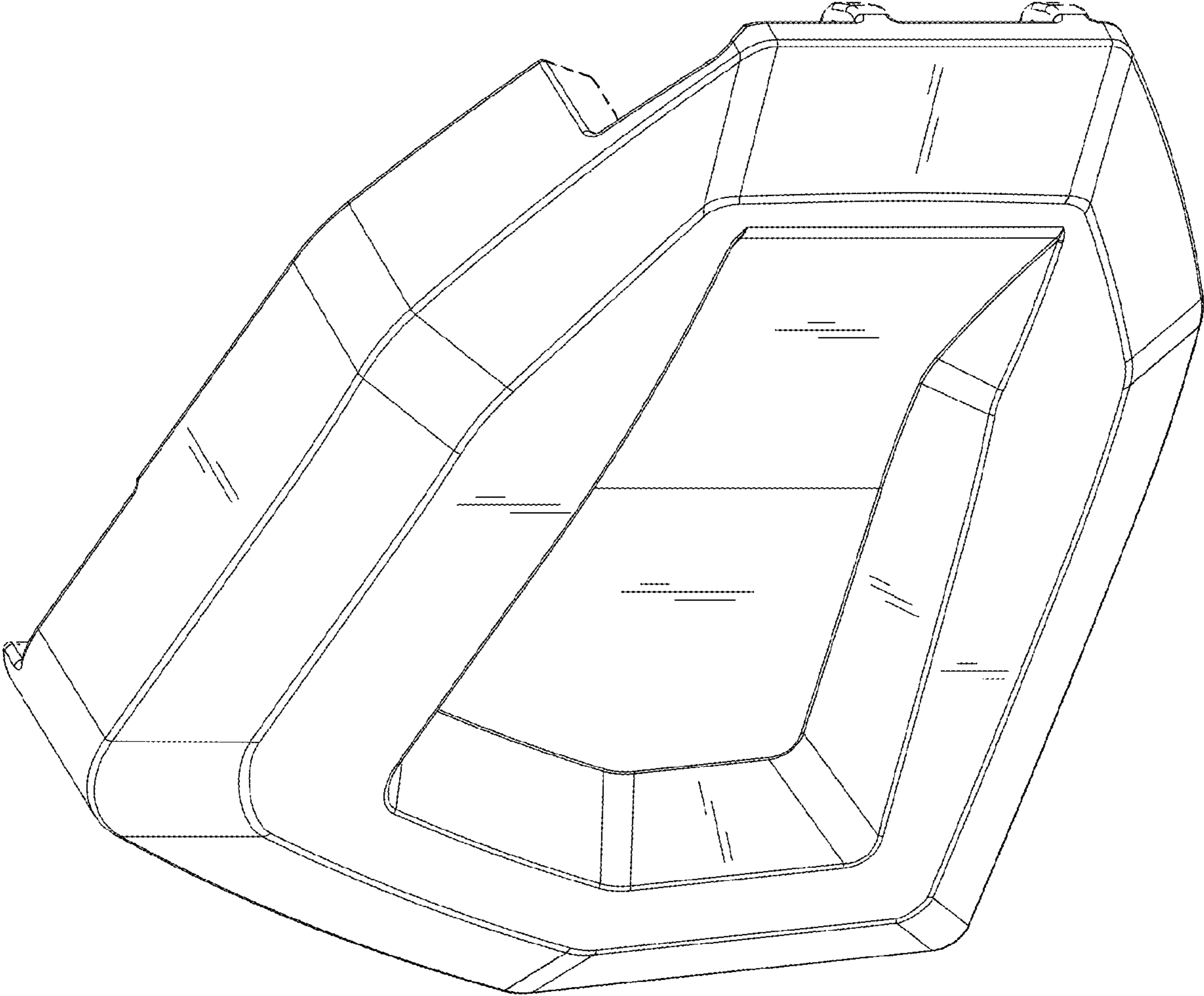


FIG. 8



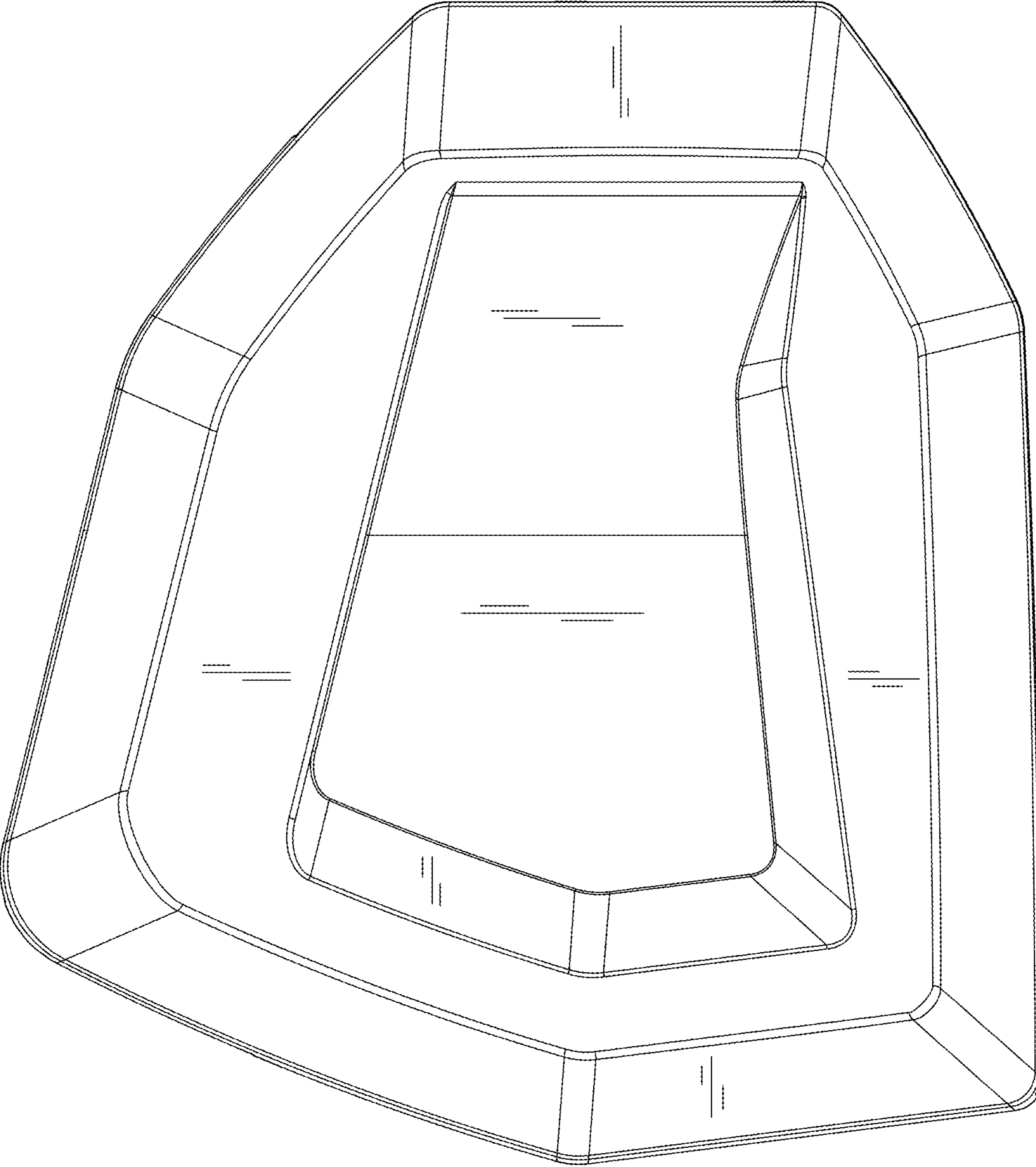


FIG. 9

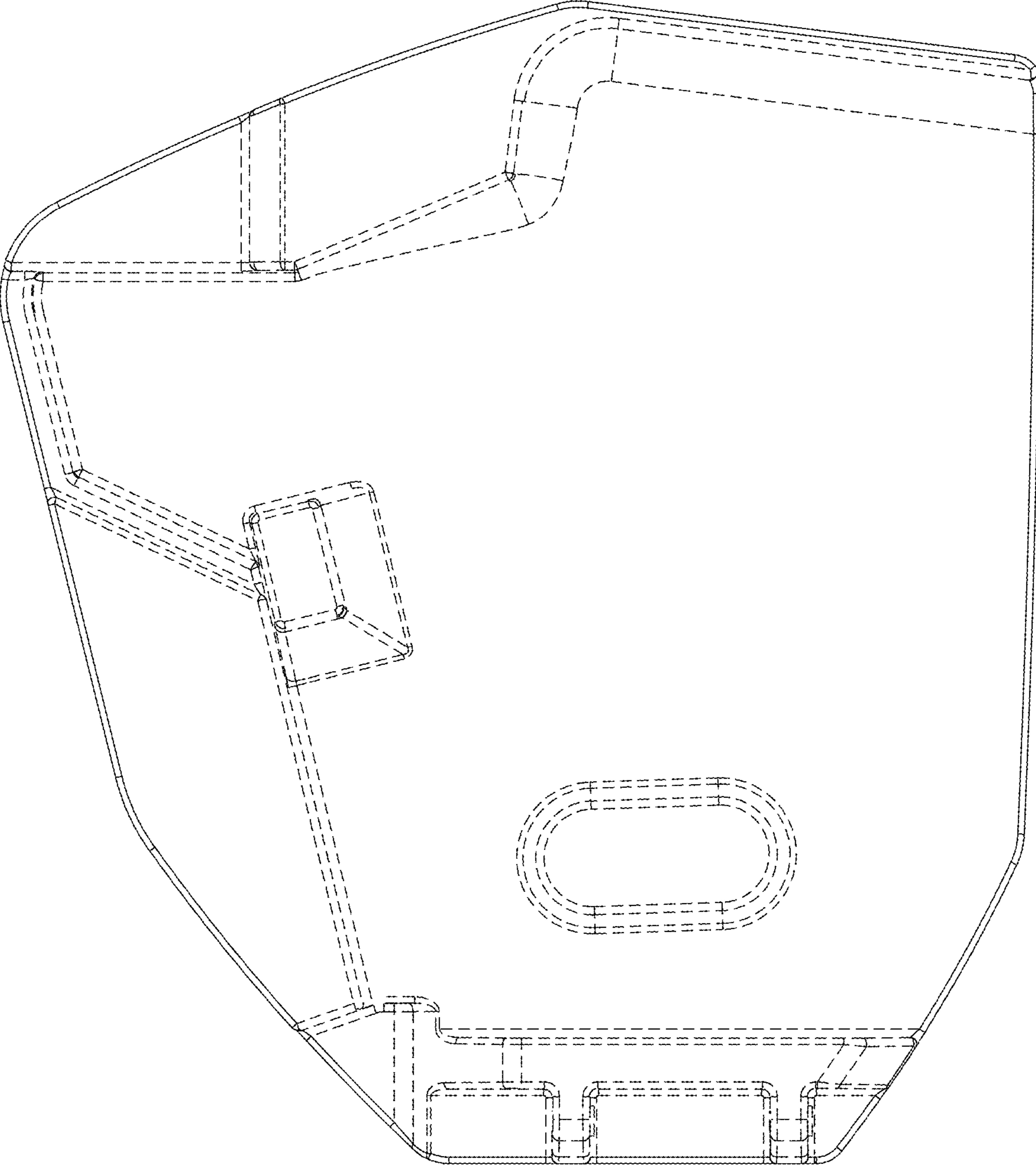


FIG. 10

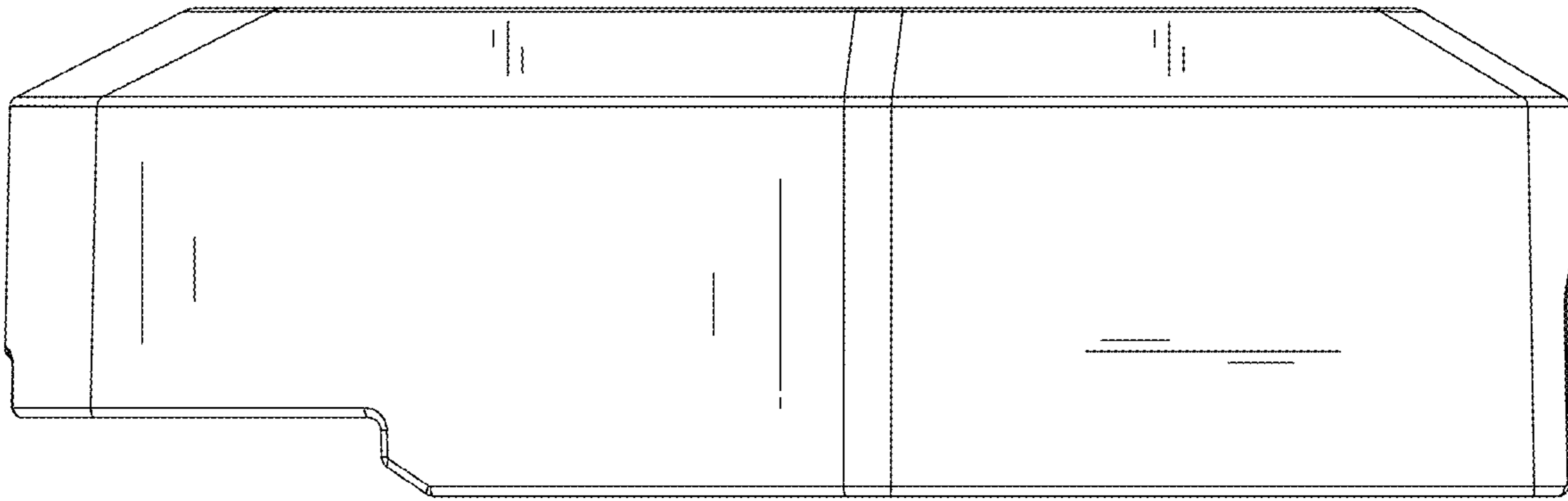


FIG. 12

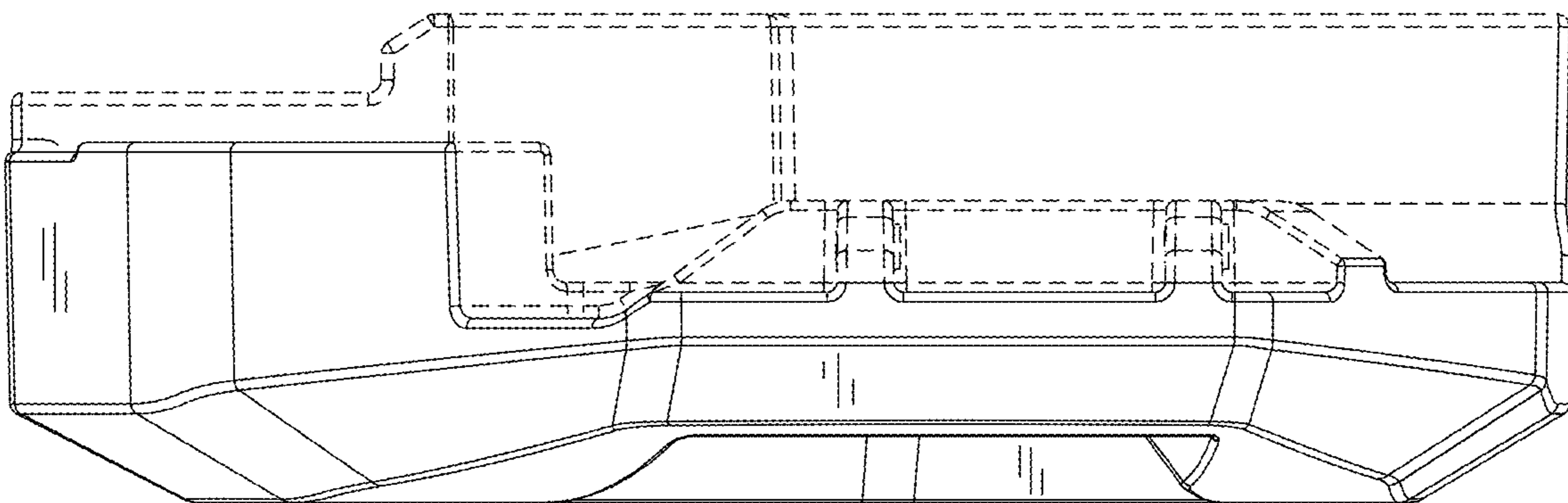


FIG. 11

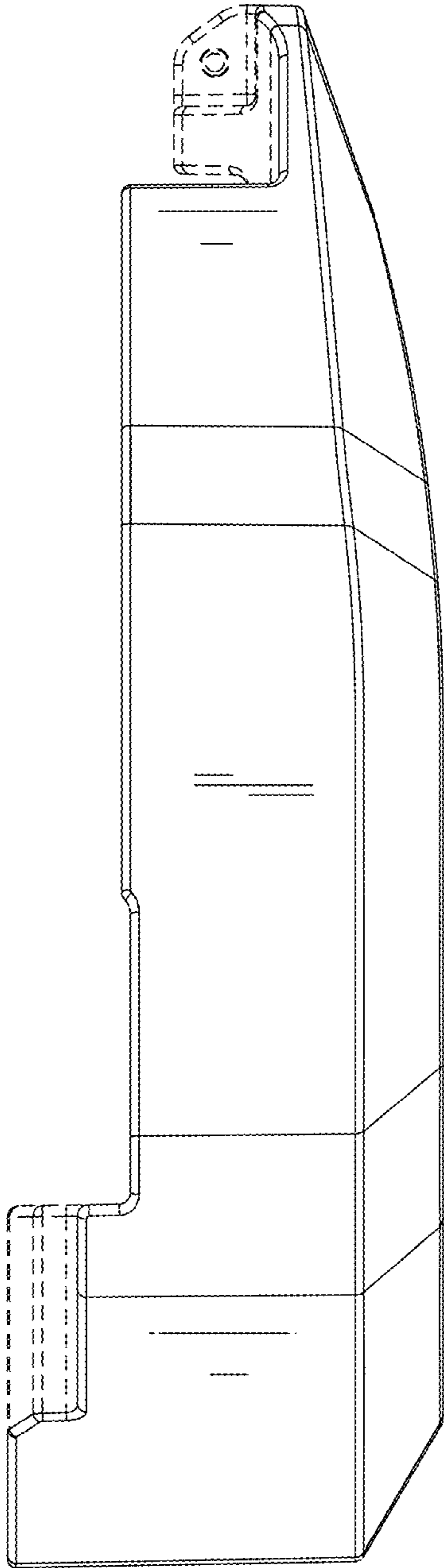


FIG. 13

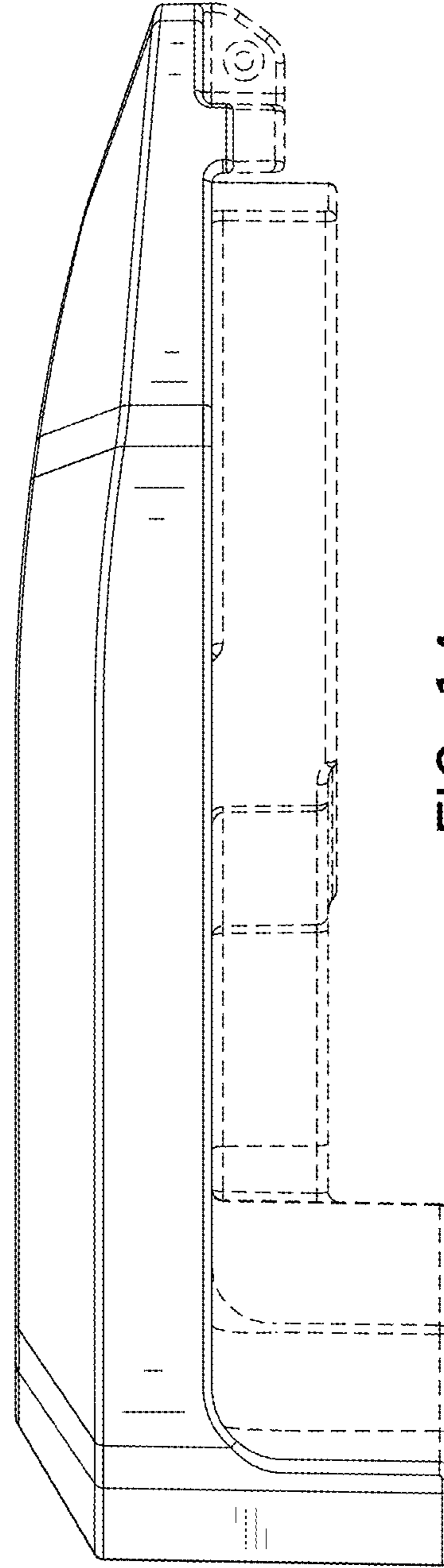


FIG. 14