



US00D934307S

(12) **United States Design Patent**
Rajopadhye et al.

(10) **Patent No.:** **US D934,307 S**

(45) **Date of Patent:** **** Oct. 26, 2021**

(54) **FENDER**

(71) Applicant: **Deere & Company**, Moline, IL (US)

(72) Inventors: **Dhananjay Rajopadhye**, Pune (IN);
Steve A. Coon, Long Grove, IA (US);
Troy M. Heims, Davenport, IA (US);
Marshall T. Graves, Bettendorf, IA (US);
Vivek Vedpathak, Pune (IN);
Florian Teubner, Munich (DE); **Tobias Adami**, Munich (DE)

(73) Assignee: **DEERE & COMPANY**, Moline, IL (US)

(**) Term: **15 Years**

(21) Appl. No.: **29/712,594**

(22) Filed: **Nov. 8, 2019**

(30) **Foreign Application Priority Data**

May 9, 2019 (EM) 006435889

(51) **LOC (13) Cl.** **15-03**

(52) **U.S. Cl.**
USPC **D15/33**

(58) **Field of Classification Search**
USPC D12/1, 85, 86, 88, 89, 90, 91, 92, 93,
D12/101, 102, 106, 144, 163, 164, 167,
(Continued)

(56) **References Cited**

U.S. PATENT DOCUMENTS

D188,955 S * 10/1960 Buskirk D15/26
D200,426 S * 2/1965 Kermes D15/26
(Continued)

FOREIGN PATENT DOCUMENTS

GN 302092321 S 9/2012
GN 302220180 S 12/2012

OTHER PUBLICATIONS

Deere X9, Published Jun. 29, 2020 [online], [retrieved on Jun. 28, 2021]. Retrieved from the Internet: <https://www.youtube.com/watch?v=FyvcEHio8C4> (Year: 2020).*

(Continued)

Primary Examiner — Christian P. McLean

Assistant Examiner — Adam C Mager

(74) *Attorney, Agent, or Firm* — Klintworth & Rozenblat IP LLP

(57) **CLAIM**

The ornamental design for a fender, as shown and described.

DESCRIPTION

FIG. 1 is a perspective view of a fender according to our new design;
FIG. 2 is a first side elevational view thereof;
FIG. 3 is a second side elevational view thereof;
FIG. 4 is a first end elevational view thereof;
FIG. 5 is a second end elevational view thereof;
FIG. 6 is a first plan view thereof;
FIG. 7 is a second plan view thereof;
FIG. 8 is a perspective view of a fender according to another embodiment of our new design;
FIG. 9 is a first side elevational view thereof;
FIG. 10 is a second side elevational view thereof;
FIG. 11 is a first end elevational view thereof;
FIG. 12 is a second end elevational view thereof;
FIG. 13 is a first plan view thereof;
FIG. 14 is a second plan view thereof;
FIG. 15 is a perspective view of a fender according to another embodiment of our new design;
FIG. 16 is a first side elevational view thereof;
FIG. 17 is a second side elevational view thereof;
FIG. 18 is a first end elevational view thereof;
FIG. 19 is a second end elevational view thereof;
FIG. 20 is a first plan view thereof; and
FIG. 21 is a second plan view thereof.
FIG. 22 is a perspective view of a fender according to another embodiment of our new design;
FIG. 23 is a first side elevational view thereof;

(Continued)

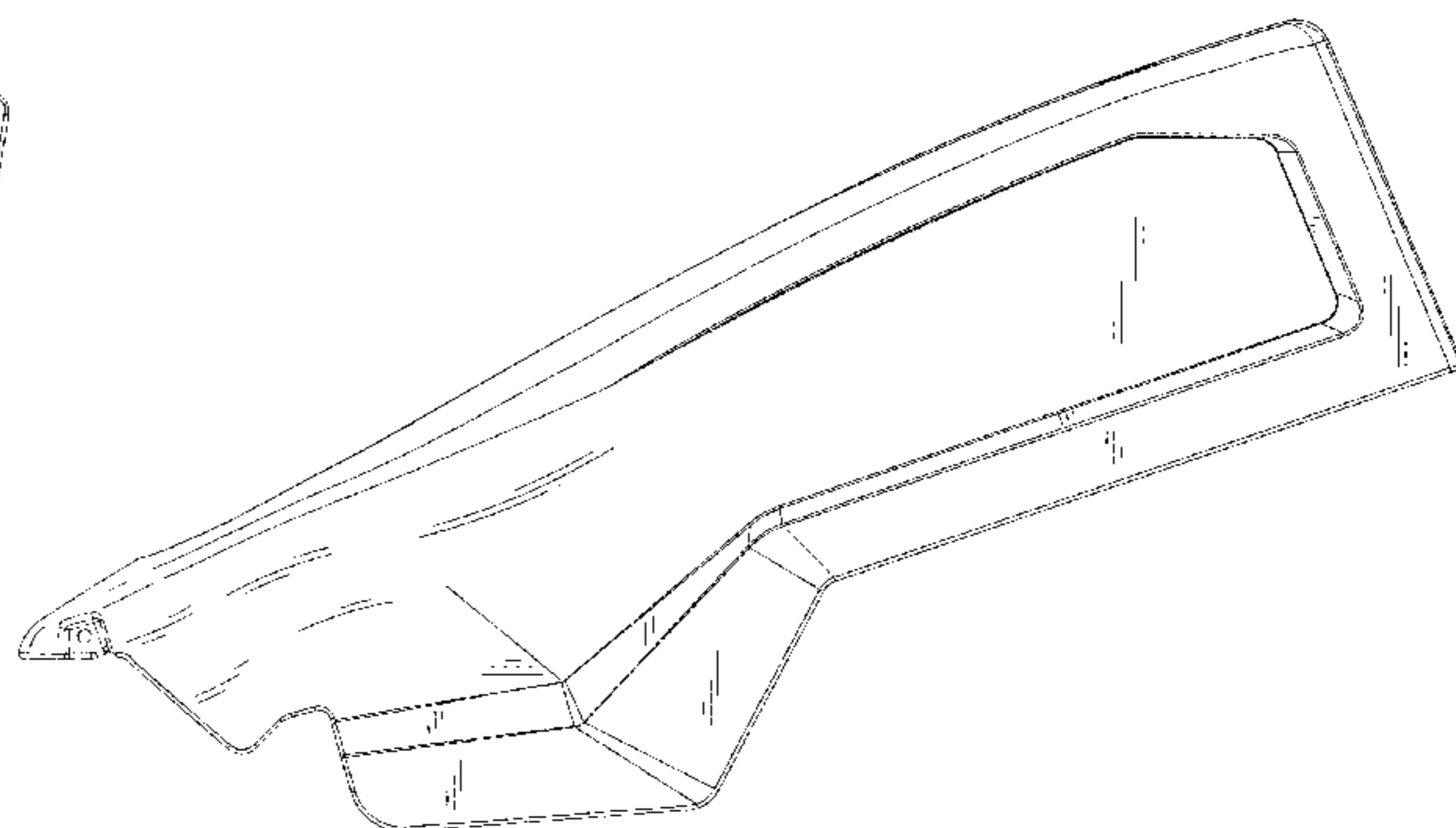
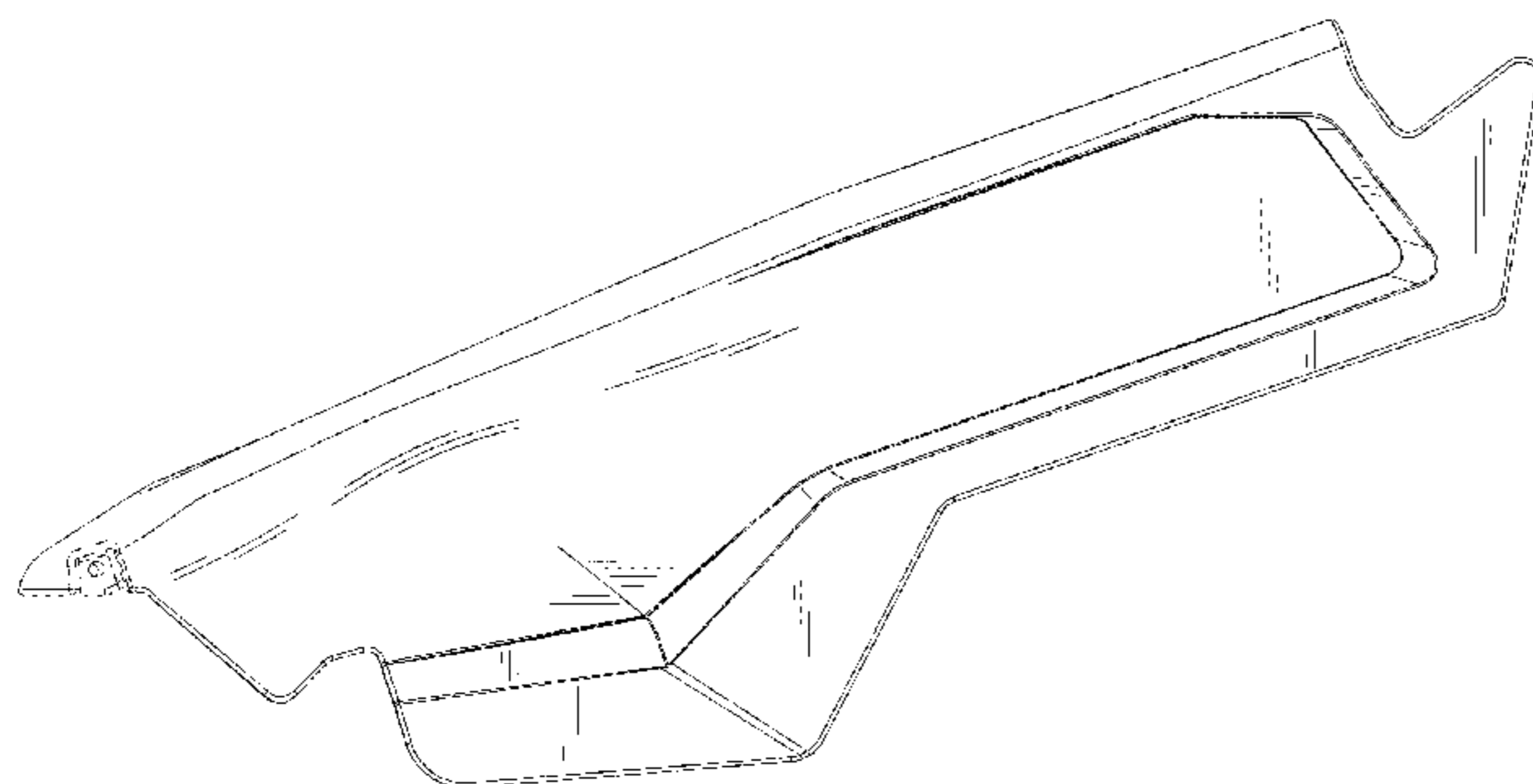


FIG. 24 is a second side elevational view thereof;
 FIG. 25 is a first end elevational view thereof;
 FIG. 26 is a second end elevational view thereof;
 FIG. 27 is a first plan view thereof; and,
 FIG. 28 is a second plan view thereof.
 The broken line showing is for the purpose of illustrating environmental structure that forms no part of the claimed design.

1 Claim, 20 Drawing Sheets

(58) **Field of Classification Search**

USPC D12/169, 171, 173, 181, 184, 185, 190,
 D12/192, 196, 400; D21/533, 548, 552,
 D21/561; D15/10, 11, 12, 17, 22, 23, 24,
 D15/25, 26, 28, 33
 CPC B62D 25/02; B62D 25/04; B62D 25/16;
 B62D 25/18; B62D 25/161; B62D
 25/168; B62D 25/182; B62D 25/184;
 B60J 5/00; B60J 5/02; B60J 5/04; B60J
 5/10; B60R 13/04; B60R 13/0861; B60R
 19/00; A01B 73/00; A01D 75/00; A01D
 41/00; A01D 41/06; A01D 41/1208;
 A01D 67/00; A01D 45/00; A01D 45/02;
 A01D 45/021; A01D 43/081

See application file for complete search history.

(56) **References Cited**

U.S. PATENT DOCUMENTS

D203,845 S * 2/1966 Fell D15/26
 D212,492 S * 10/1968 Case D15/26
 D212,545 S * 10/1968 Kermes D15/26
 D235,796 S * 7/1975 Case D15/26
 4,502,270 A 3/1985 Shupert
 D742,937 S * 11/2015 Ewringmann D15/28

10,405,474 B2 * 9/2019 Brimeyer A01D 41/16
 D922,450 S * 6/2021 Rajopadhye D15/33
 D922,453 S * 6/2021 Rajopadhye D15/33
 11,019,770 B2 * 6/2021 Brimeyer A01D 75/287
 2006/0174603 A1 * 8/2006 Mossman A01D 45/021
 56/314
 2015/0027097 A1 * 1/2015 Schrattecker A01D 41/02
 56/13.5
 2017/0086374 A1 3/2017 Engel
 2019/0110403 A1 * 4/2019 Braet A01D 34/04
 2020/0128747 A1 * 4/2020 Heims A01D 41/144
 2020/0323131 A1 * 10/2020 Lardner A01D 61/02
 2020/0346579 A1 * 11/2020 Demski B62D 6/00
 2021/0112716 A1 * 4/2021 Farley A01D 41/144

OTHER PUBLICATIONS

Deere & Company, Grain Harvesting Combines and Front End Equipment, Brochure, Oct. 2018.
 Claas of America, Improves Profitability with Increasing Revenue, Google Search, <https://www.serbia.claas.com/news-testimonials/current/claas-news/claas-improves-profitability-with-increasing-revenue-/1904264>, 2019.
 Claas of America, photograph of header, 2017.
 New Holland, Overview—Corn Heads Leading From The Front, Combines & Headers, <https://agriculture.newholland.com/nar/en-us/equipment/products/combines-and-headers/corn-heads>, 2019.
 Macdon Industries Ltd, D65 Draper Header, Draper Headers for Combine, <https://www.macdon.com/en/products/d65-draper-headers-for-combine/>, 2019.
 New Holland, Draper Heads—Overview Combines & Headers New Holland (US) NHAG, <https://agriculture.newholland.com/nar/en-us/equipment/products/combines-and-headers/draper-heads>, 2019.
 Case IH, Draper Heads Combine Harvester, Case IH 3100 Series II Draper Heads, <https://www.caseih.com/northamerica/en-us/products/harvesting/draper-heads>, Copyright 2020.
 Massey Ferguson, 9250 DynaFlex Draper Header, <http://www.masseyferguson.us/products/combine-harvesting/9250-dynaflex-draper-headers.html#0>, Copyright 2020.

* cited by examiner

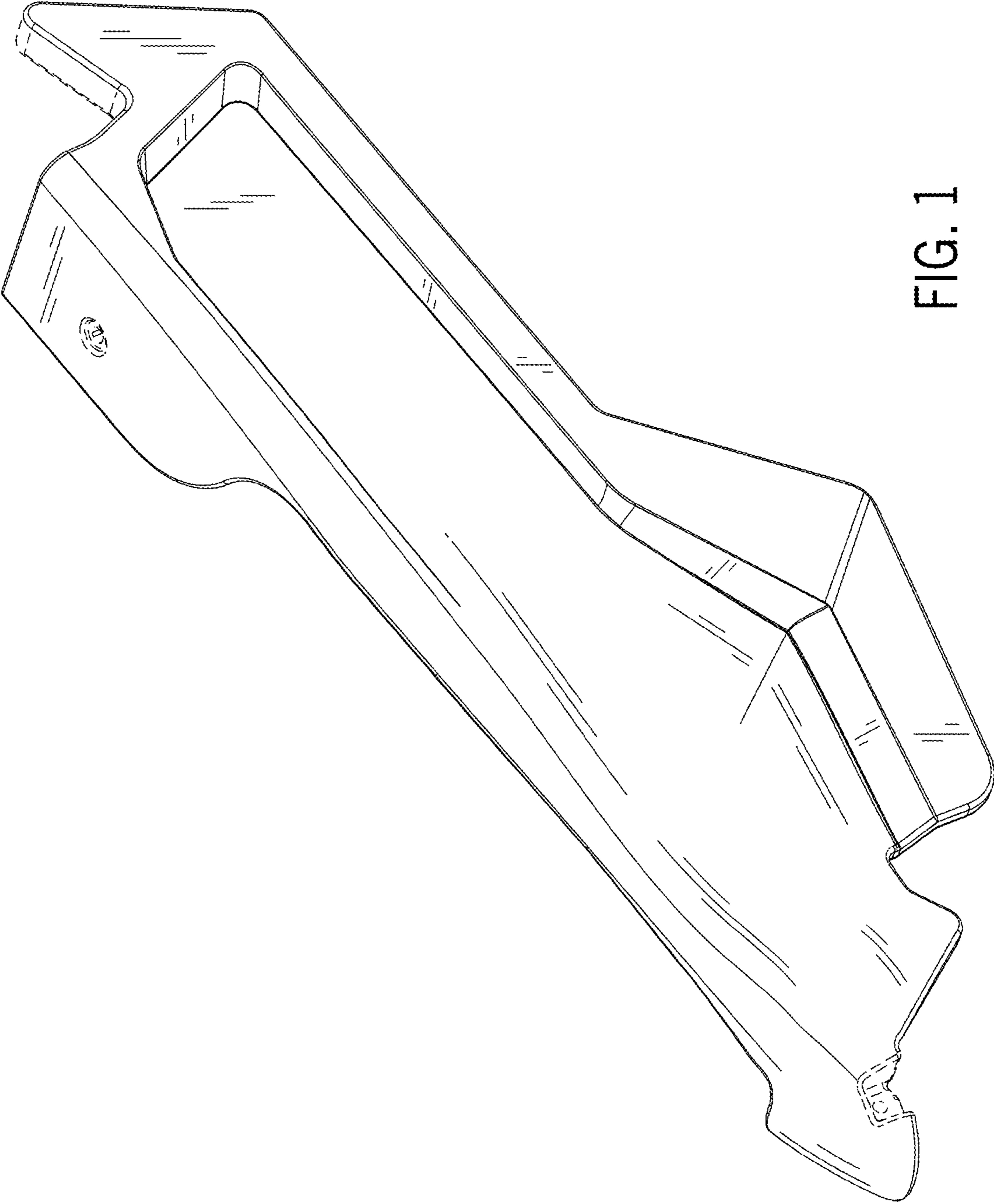


FIG. 1

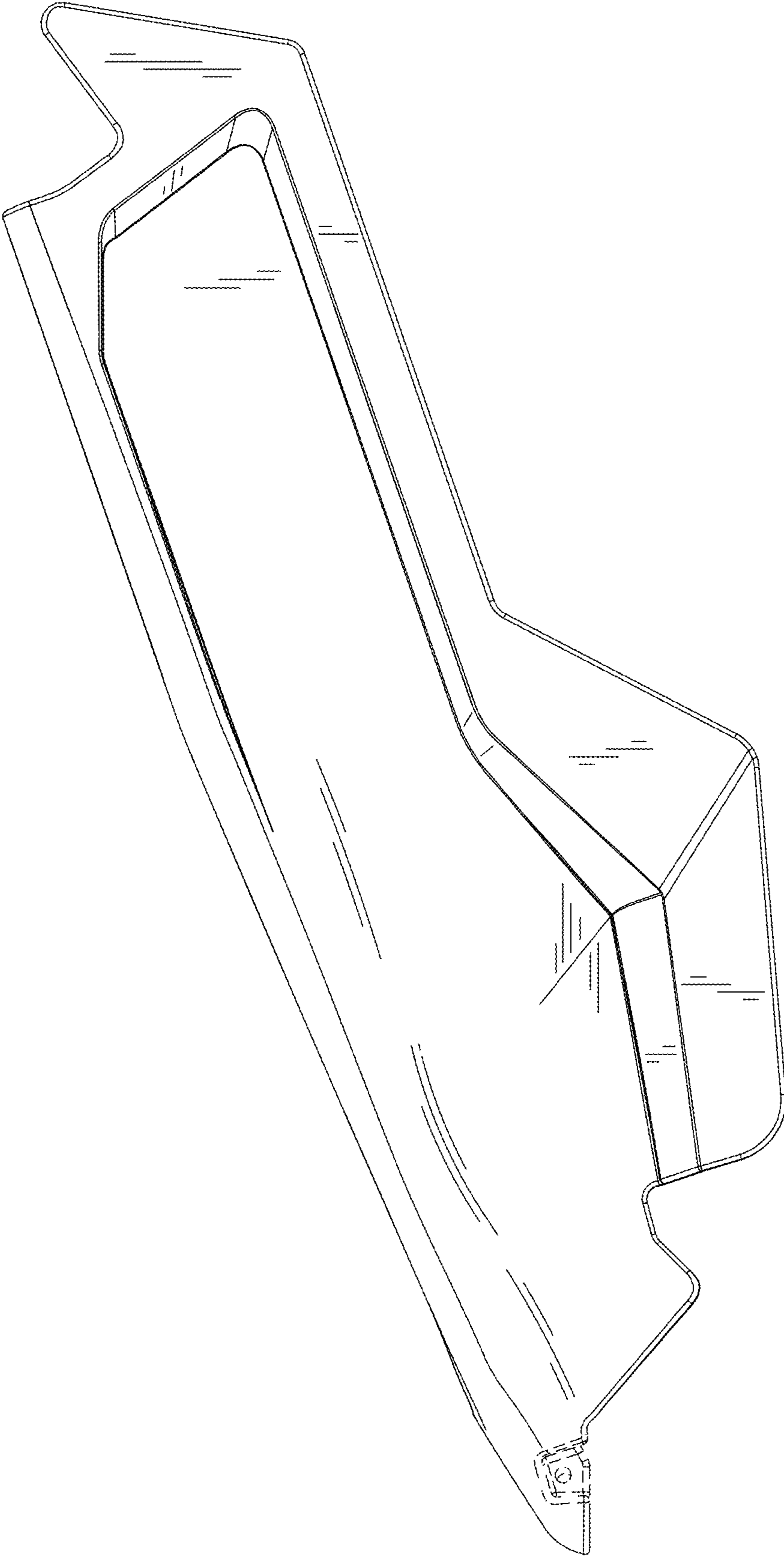


FIG. 2

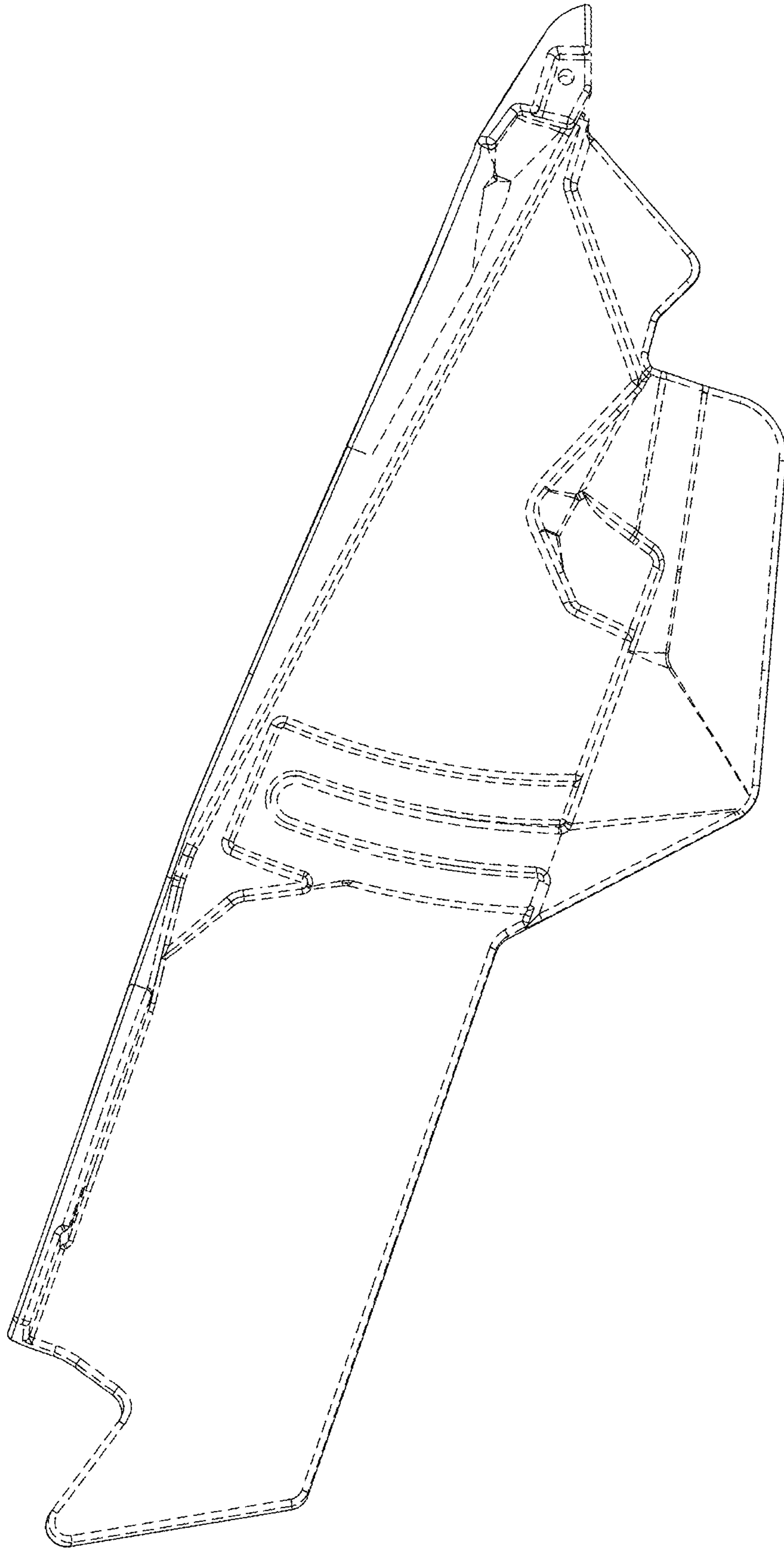


FIG. 3

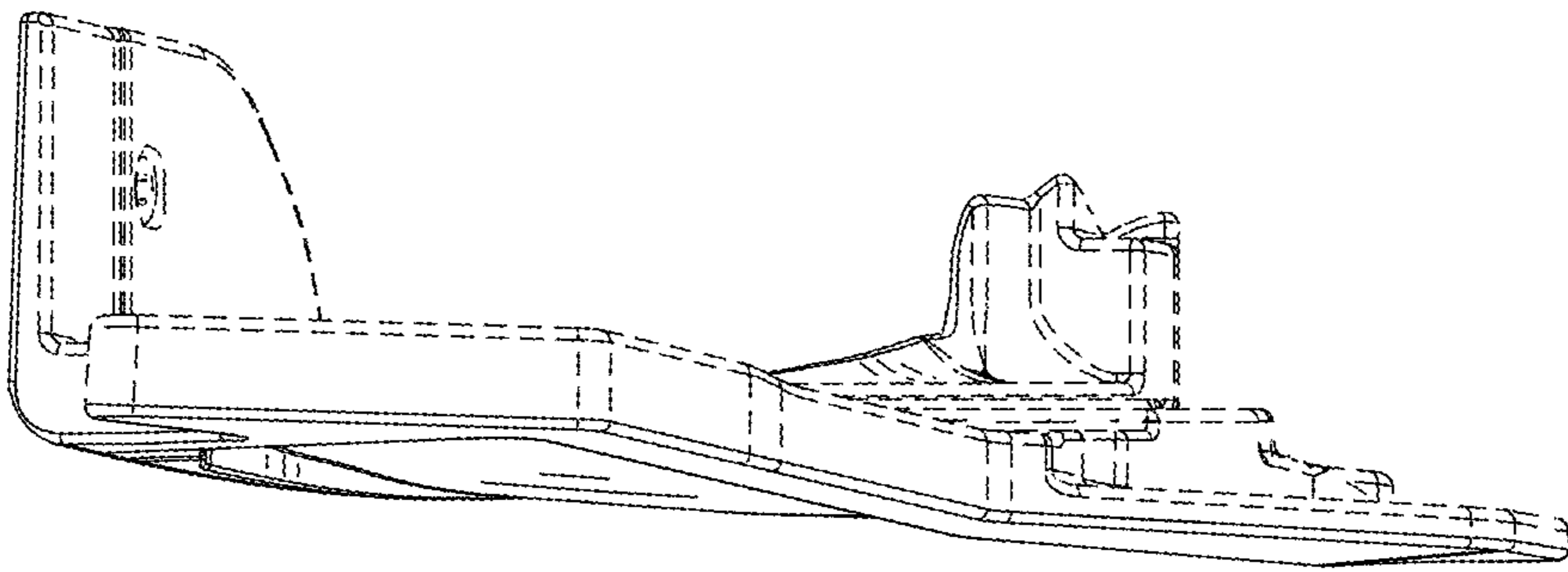


FIG. 5

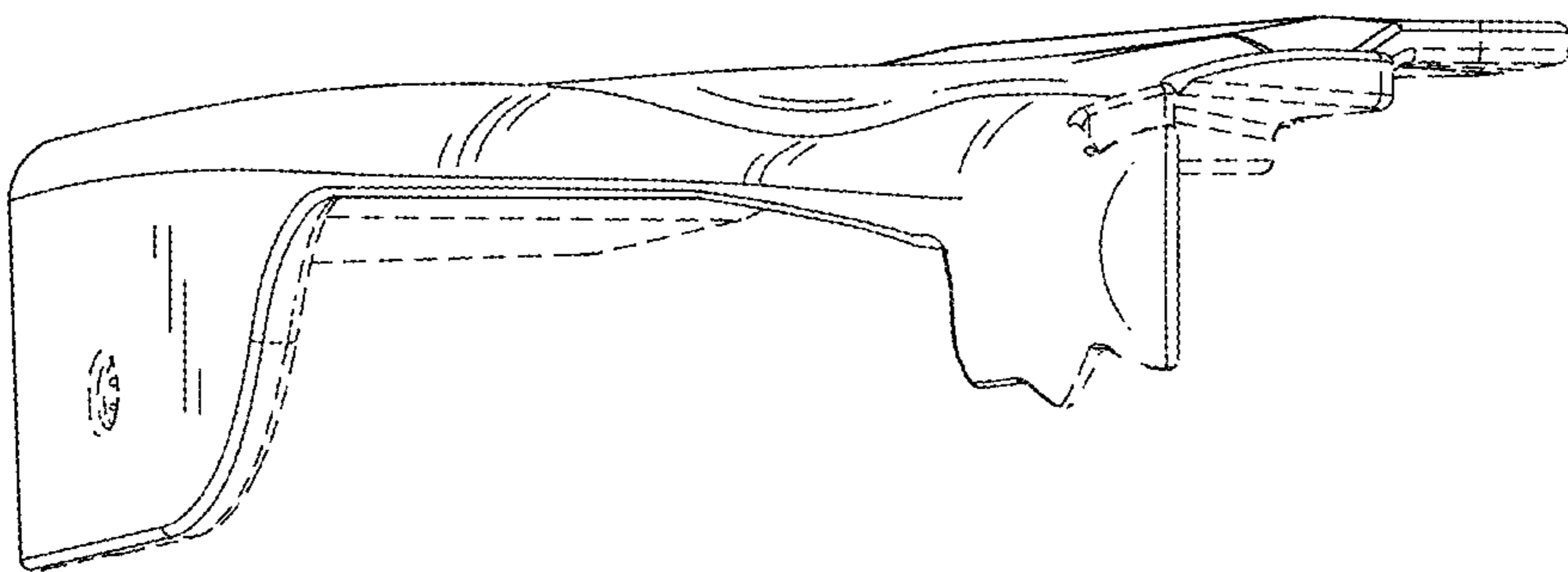


FIG. 4



FIG. 6

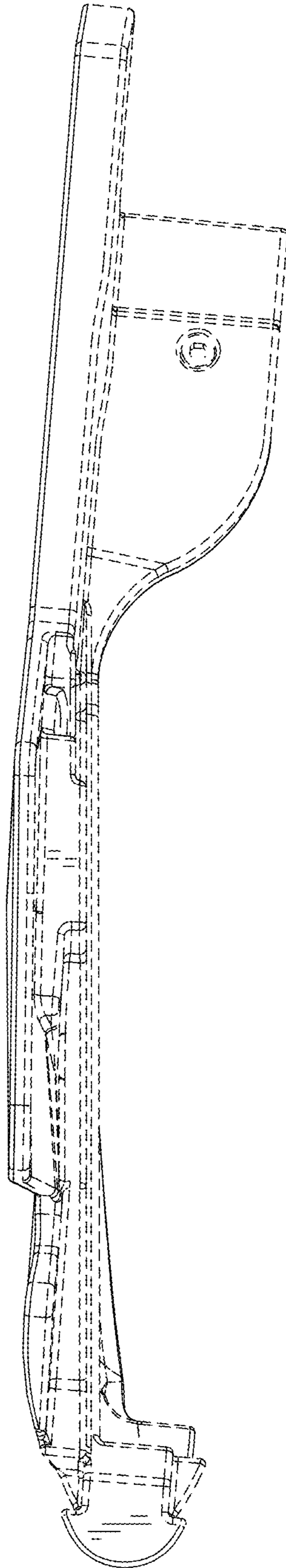


FIG. 7

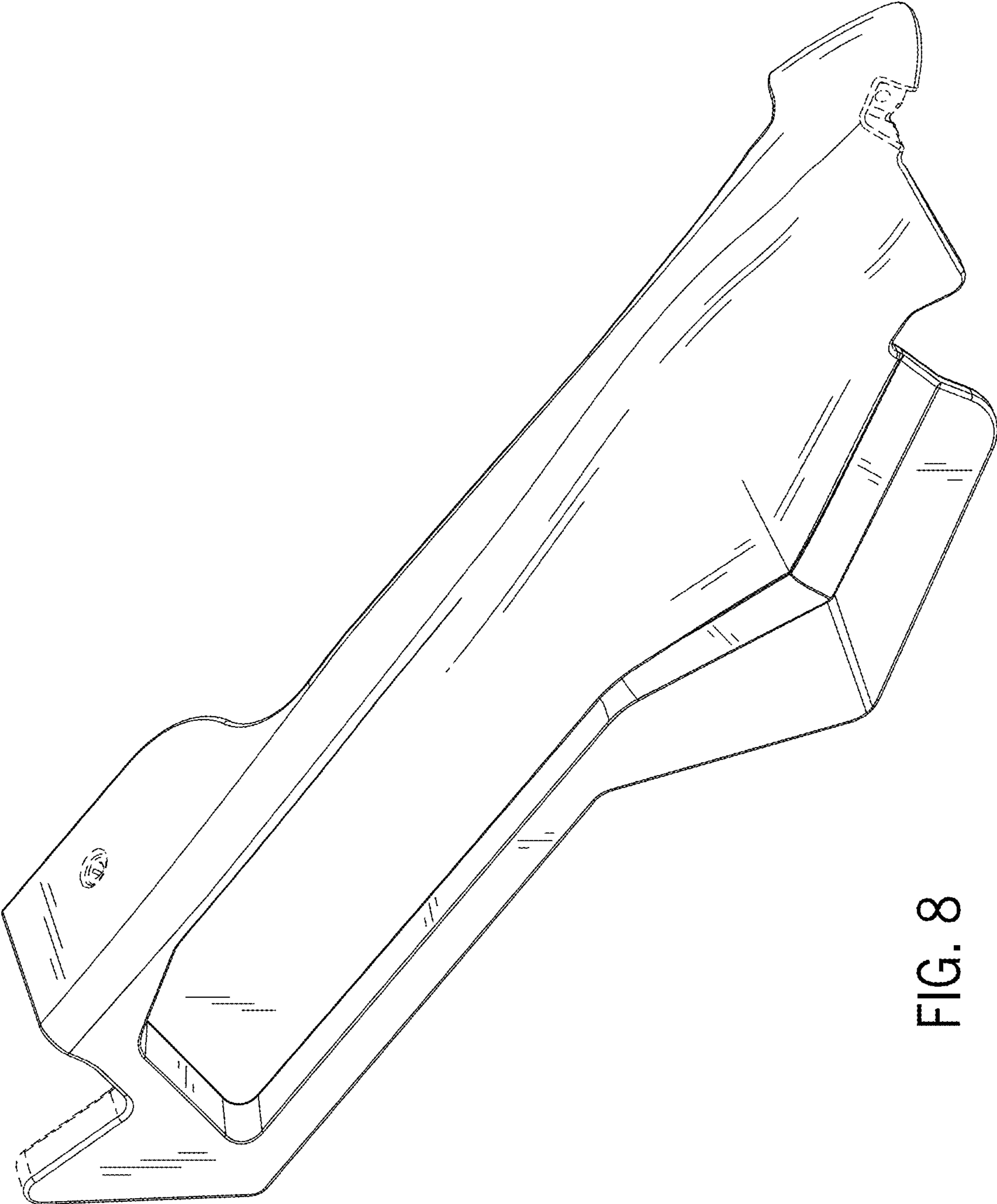


FIG. 8

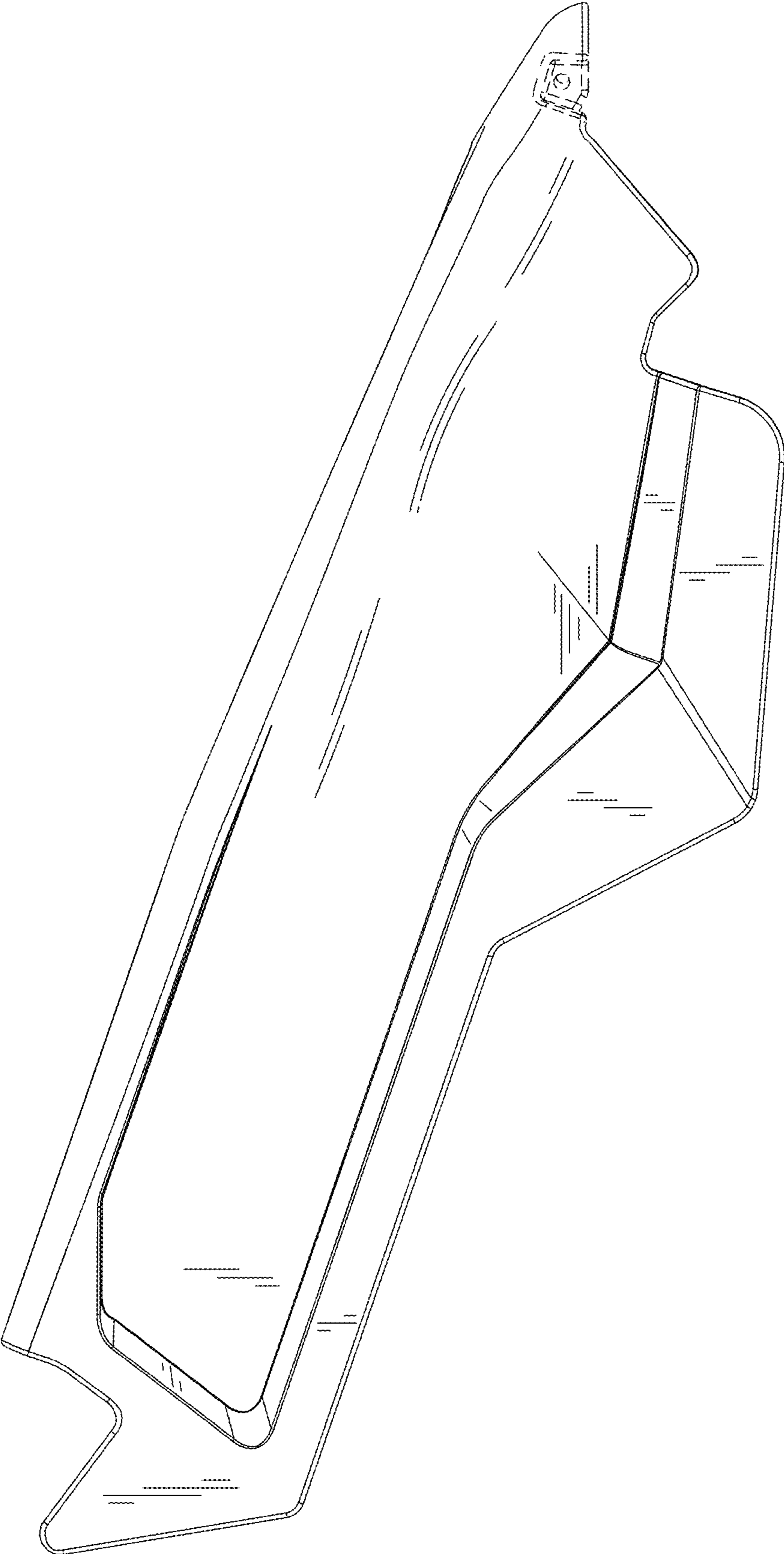


FIG. 9

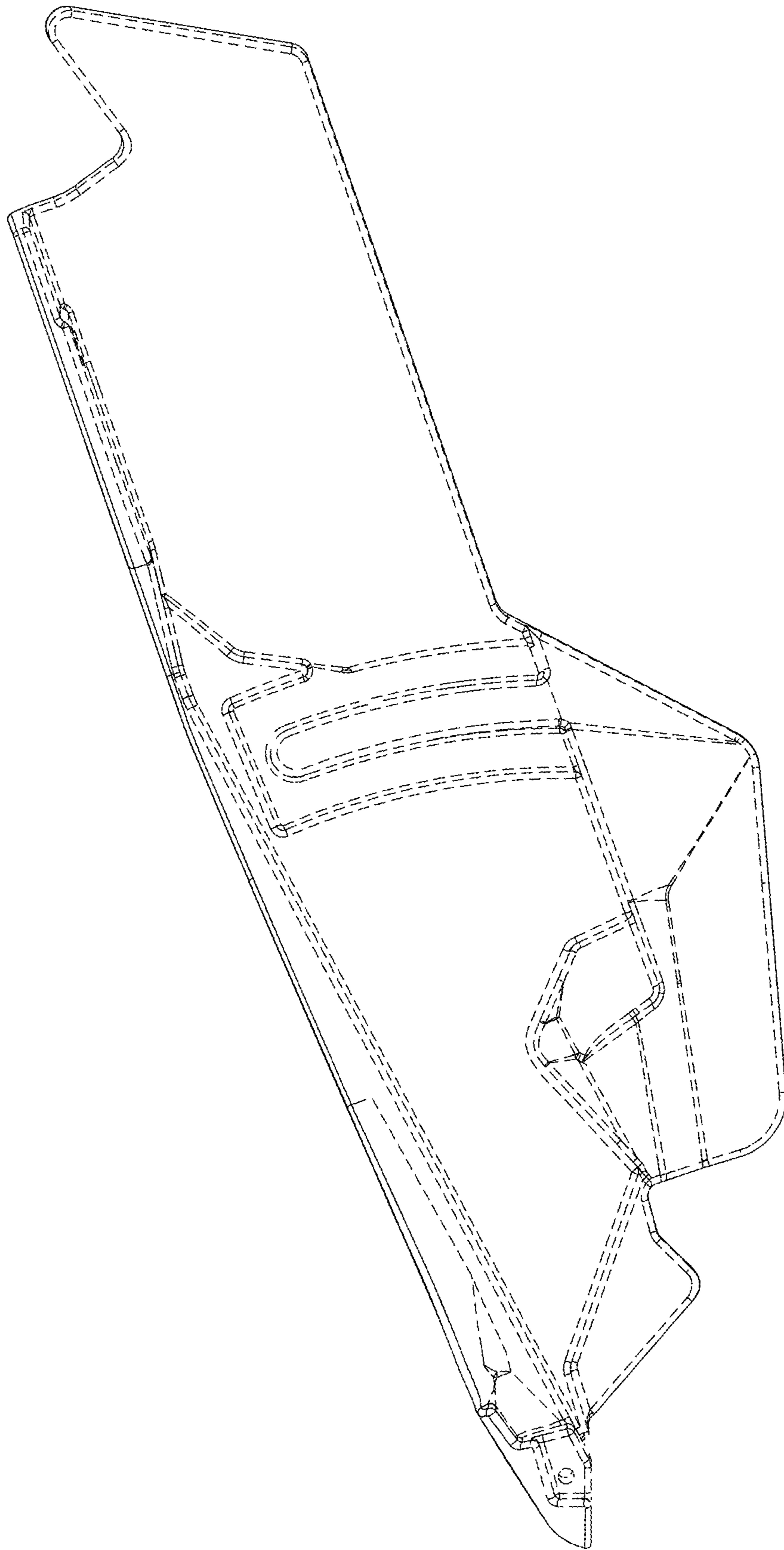


FIG. 10

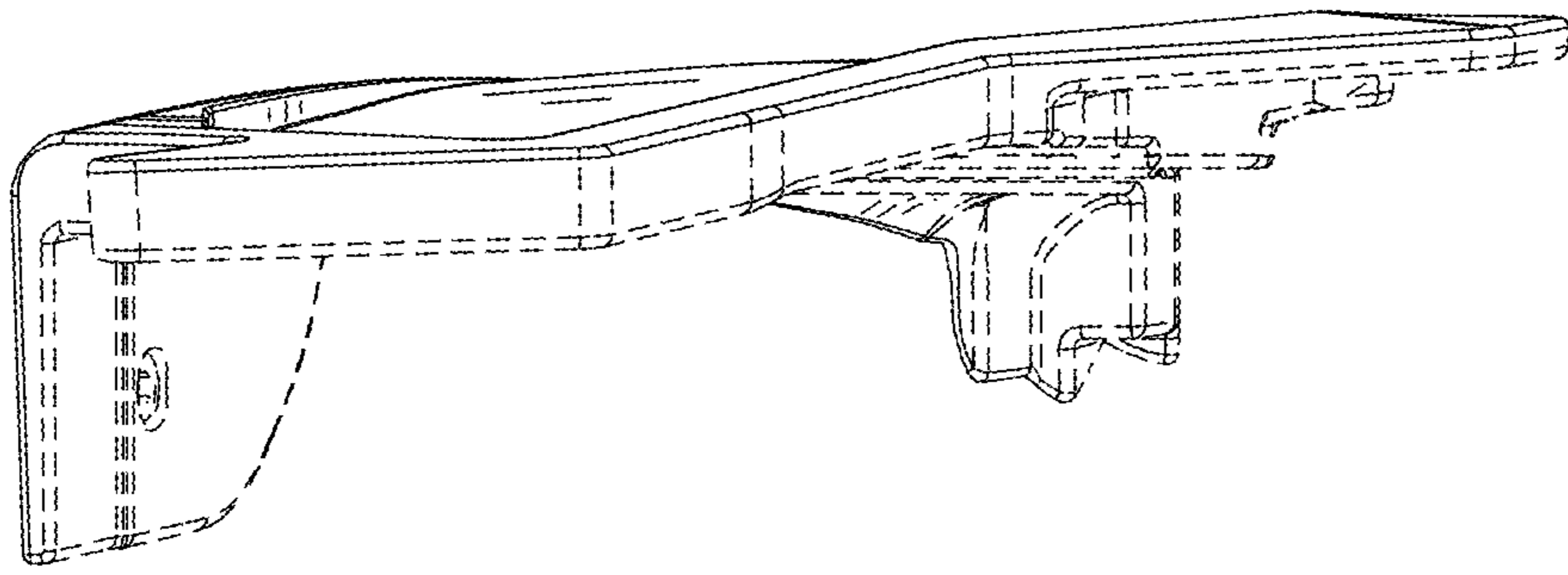


FIG. 12

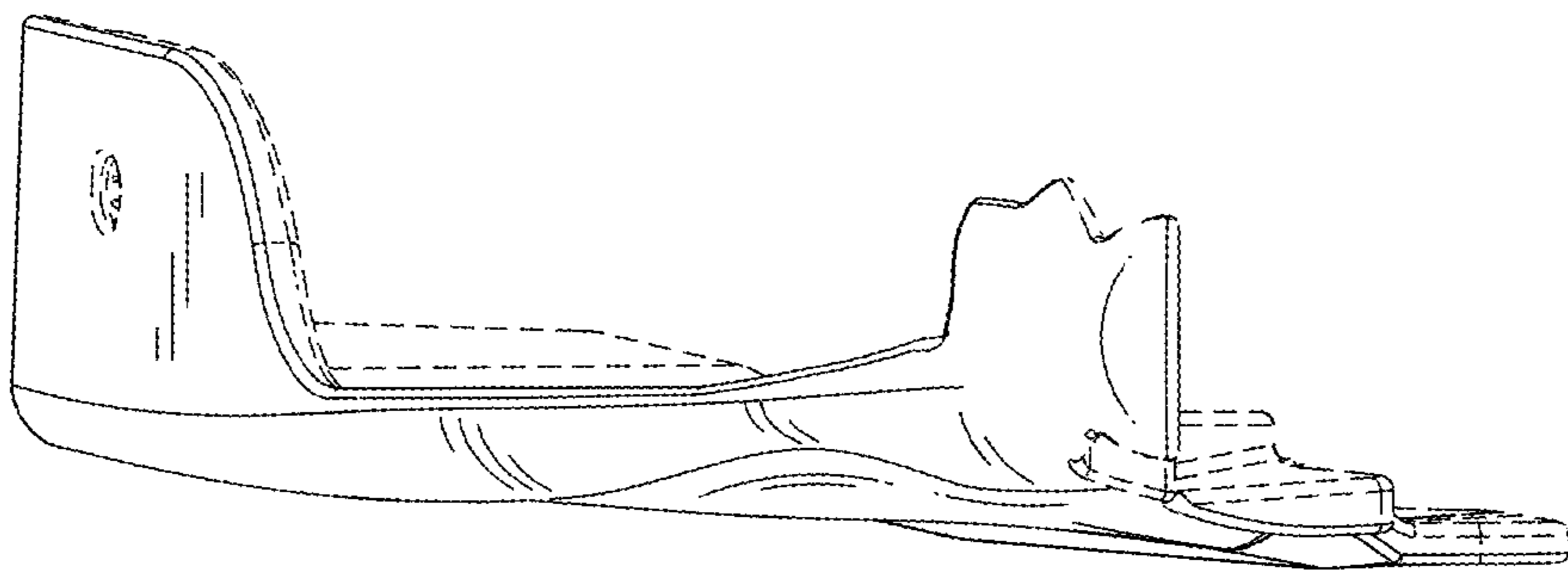


FIG. 11



FIG. 13

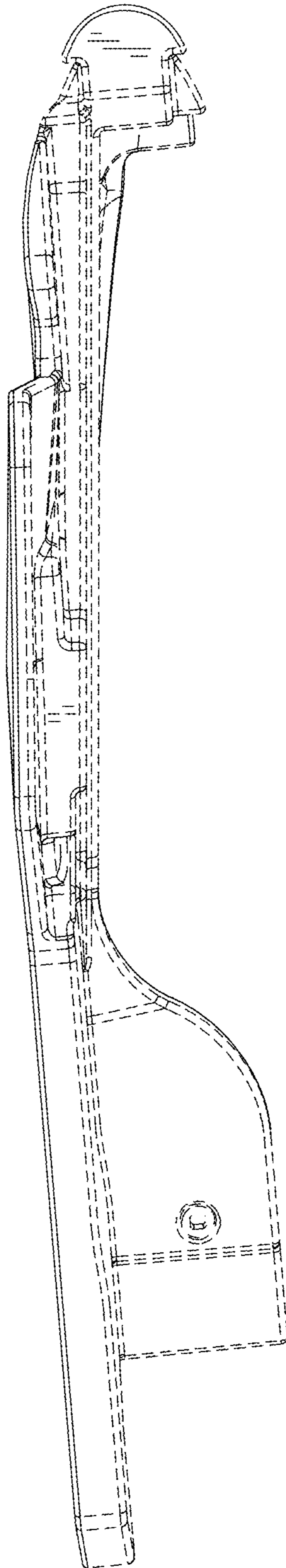


FIG. 14

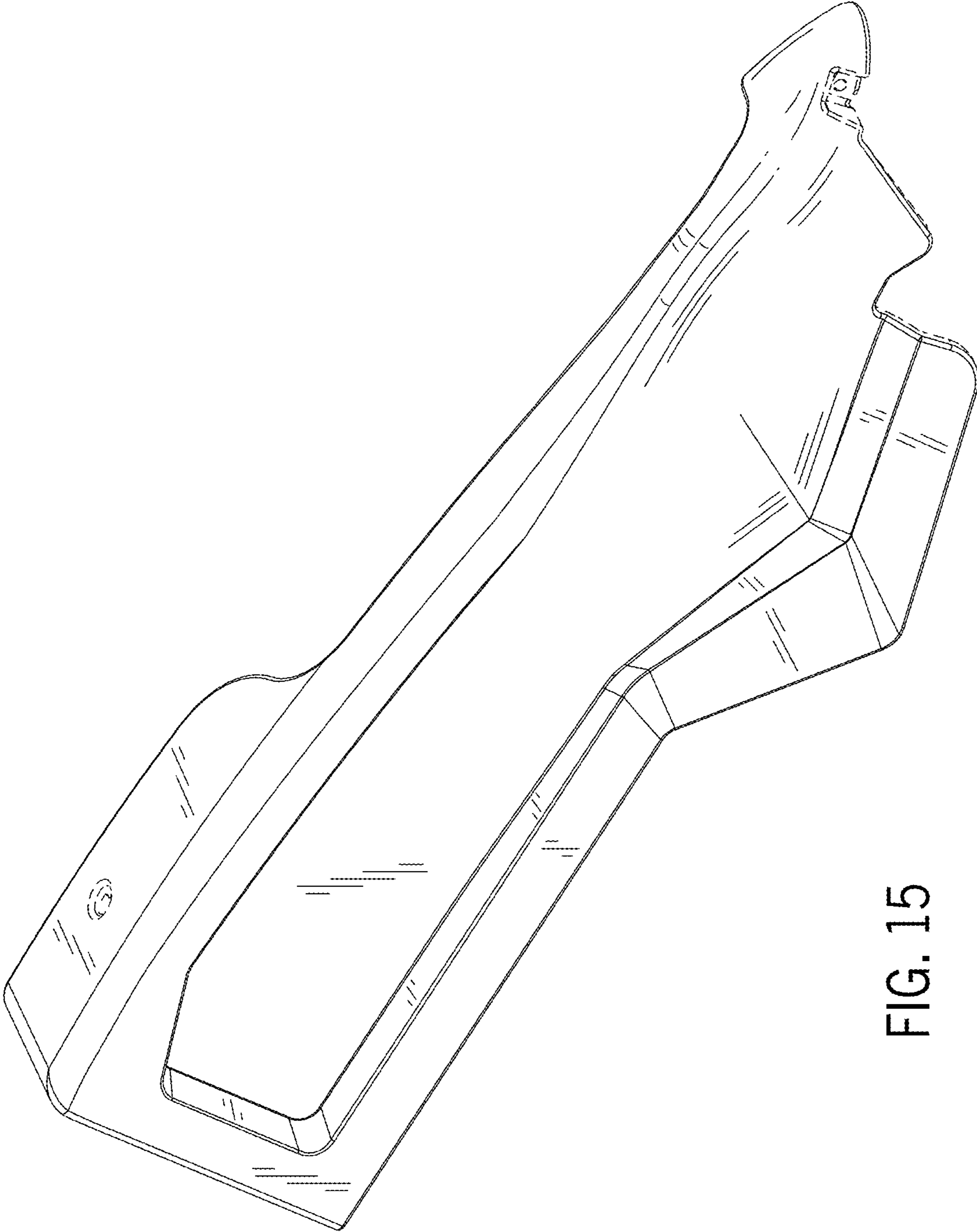


FIG. 15

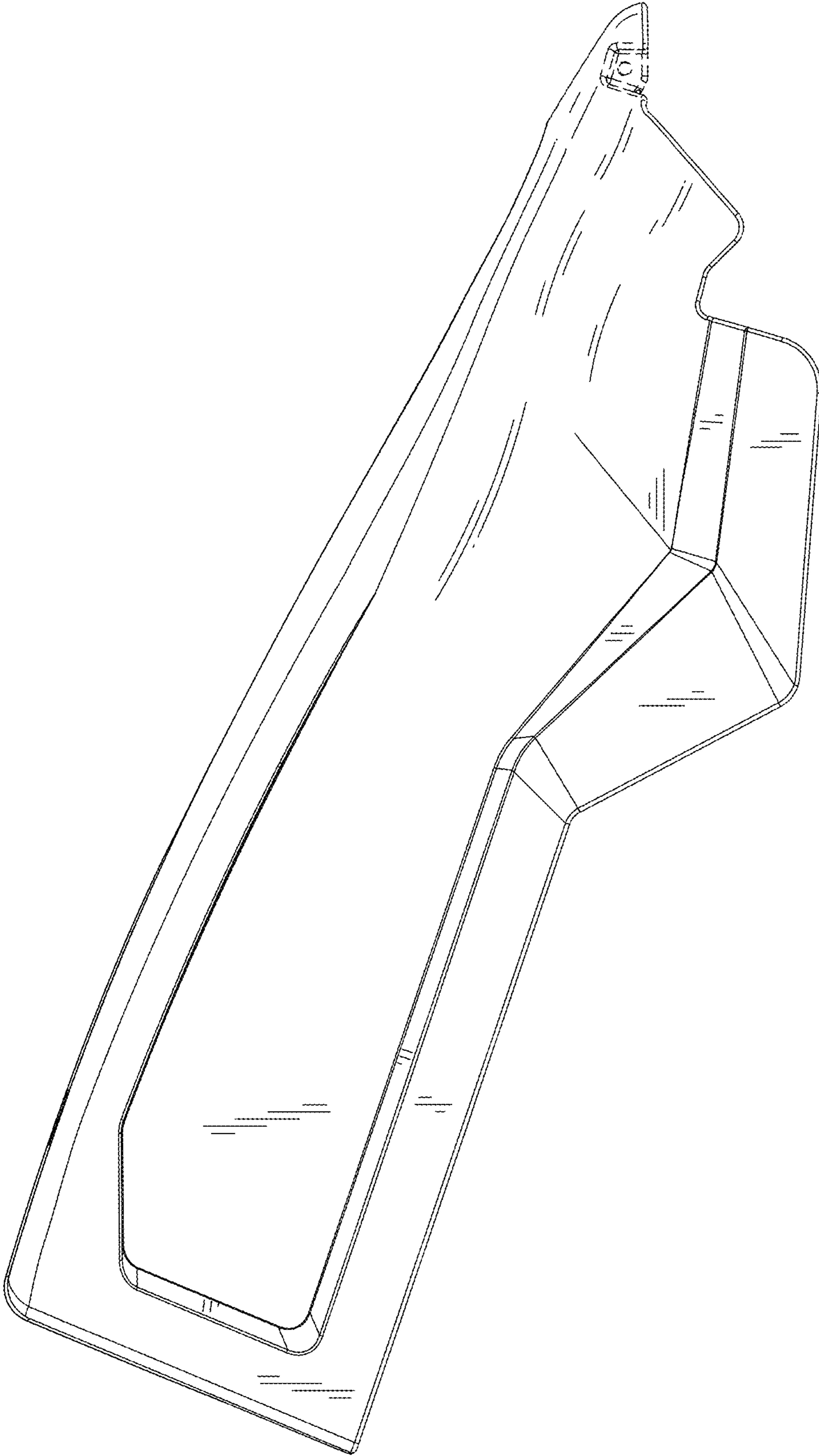


FIG. 16

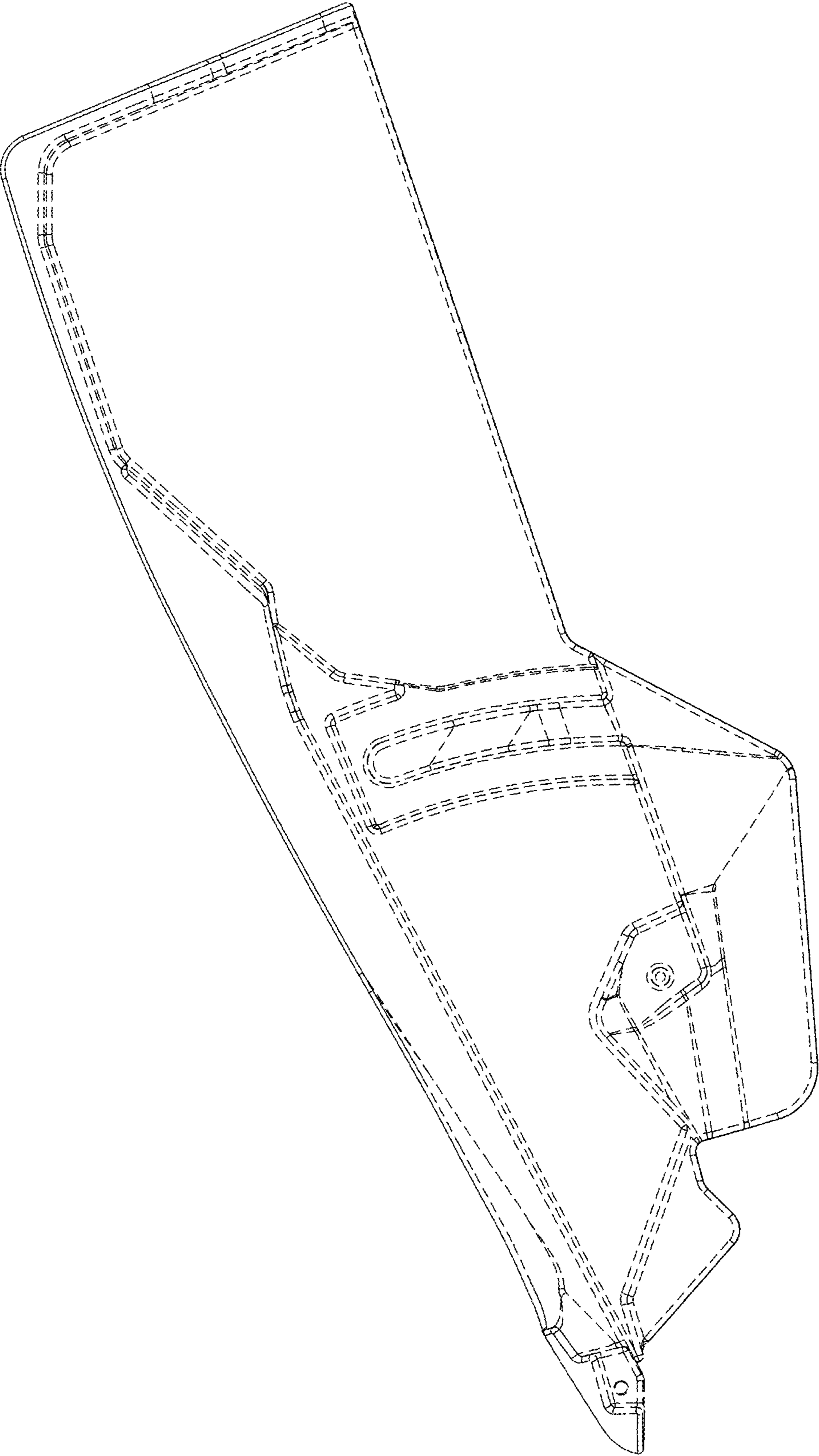


FIG. 17

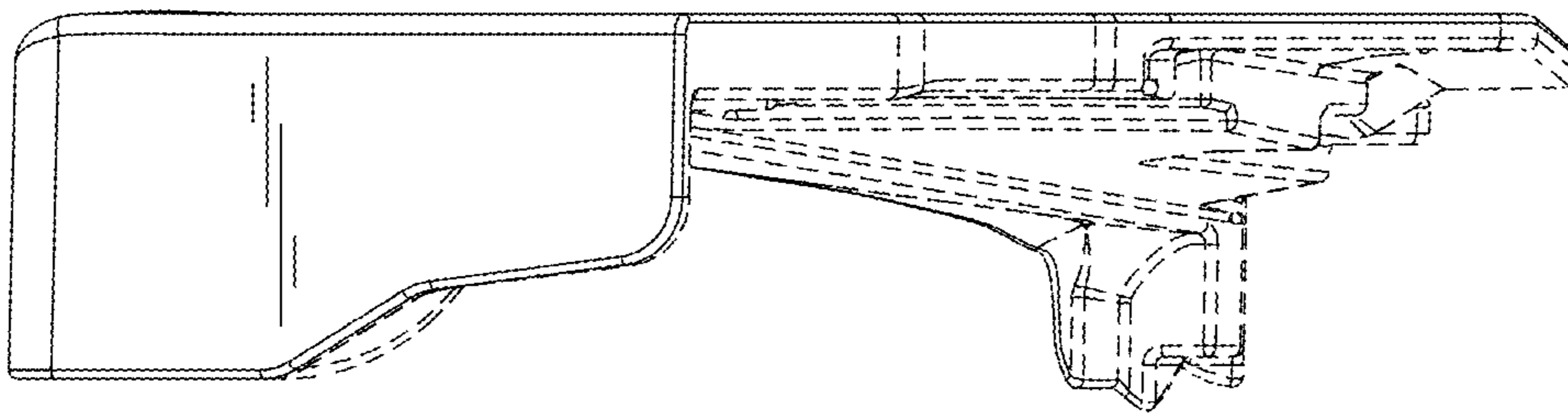


FIG. 19

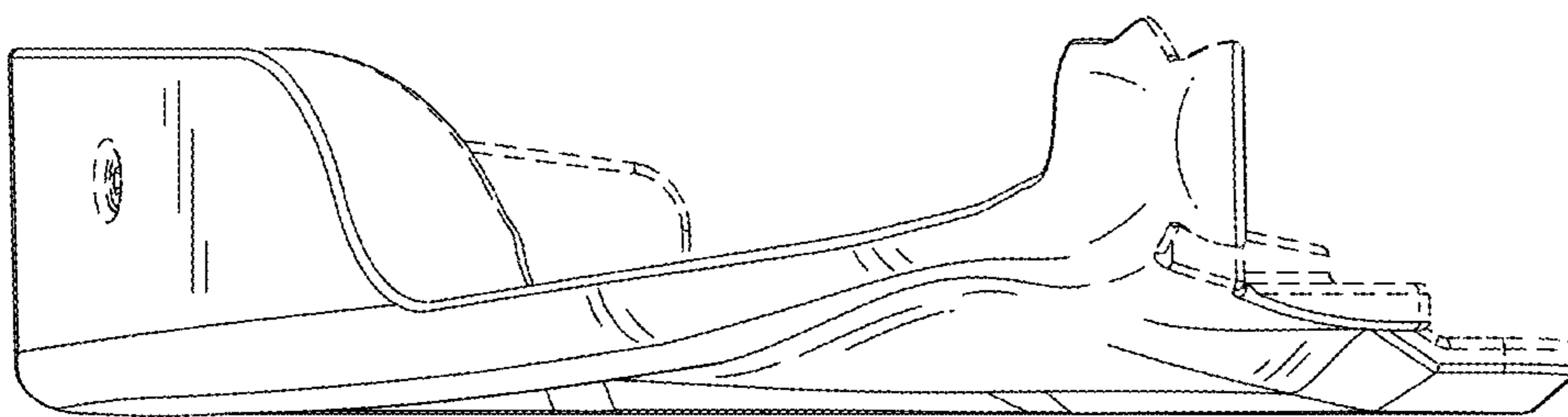


FIG. 18

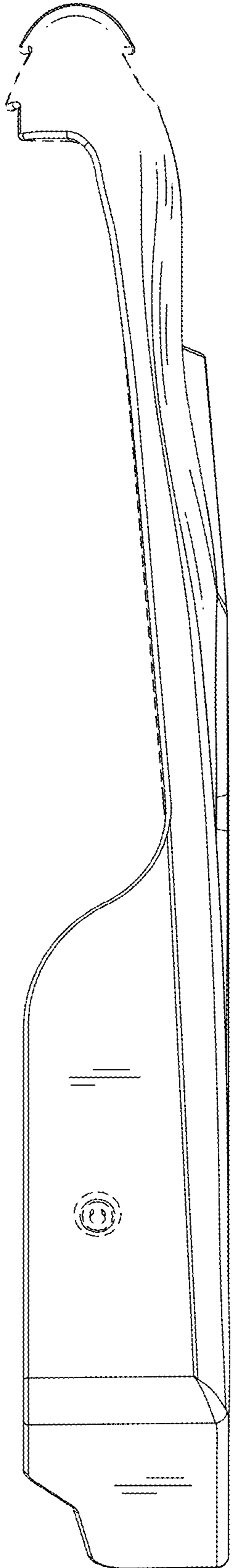


FIG. 20

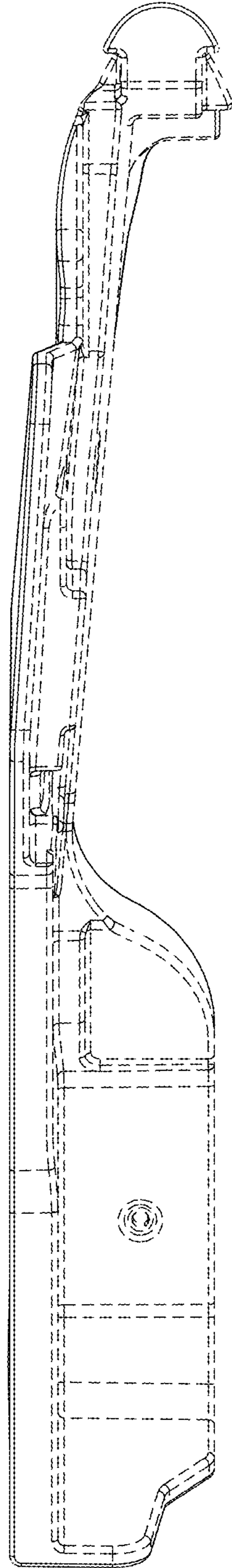


FIG. 21

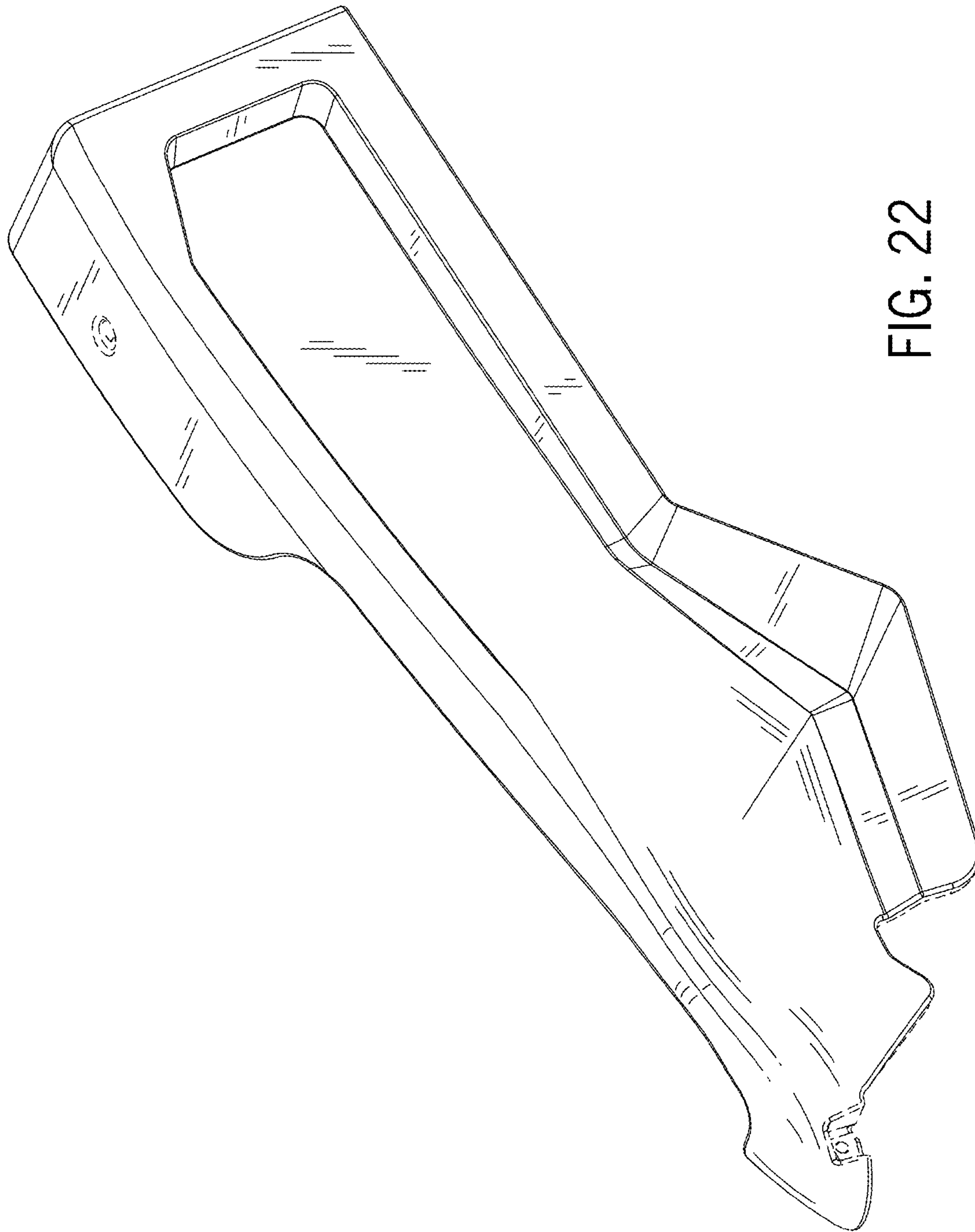


FIG. 22

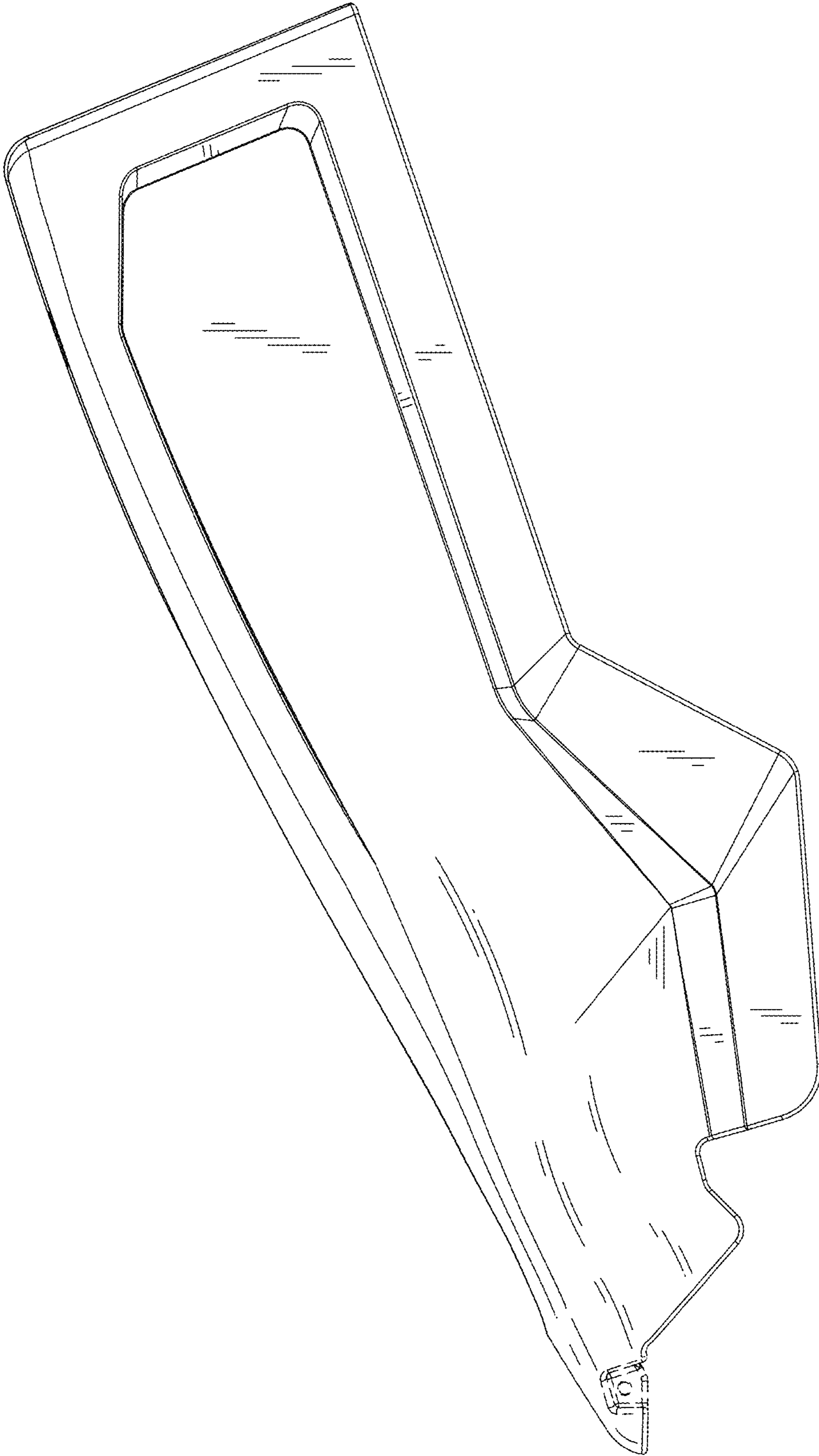


FIG. 23

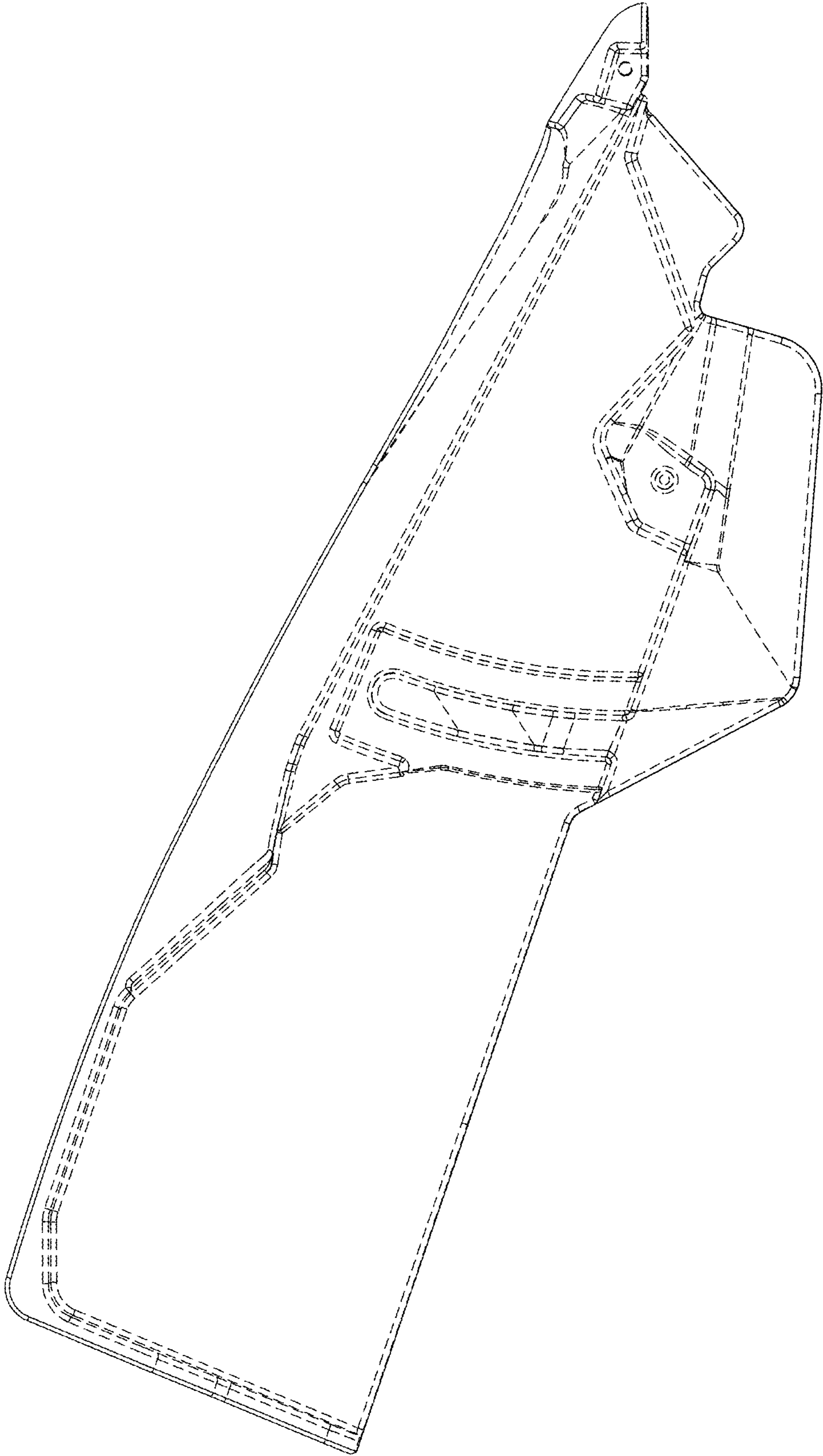


FIG. 24

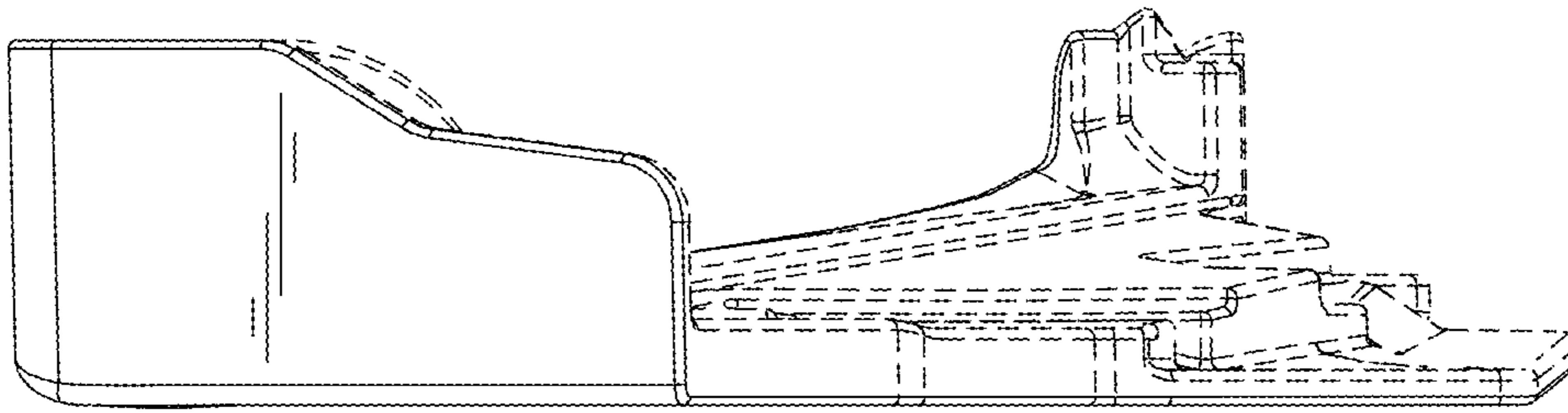


FIG. 25

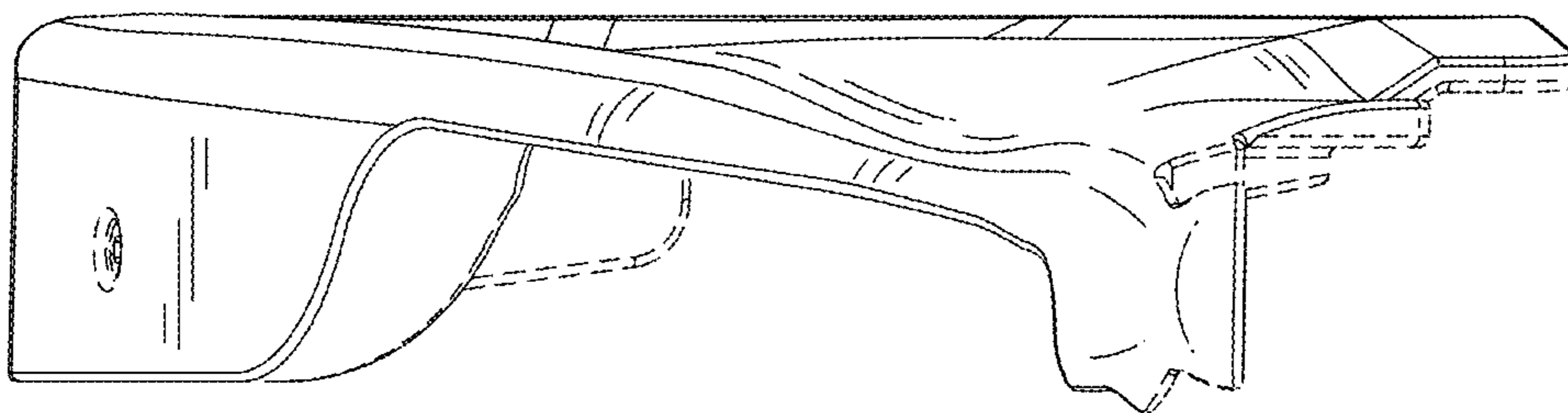


FIG. 26

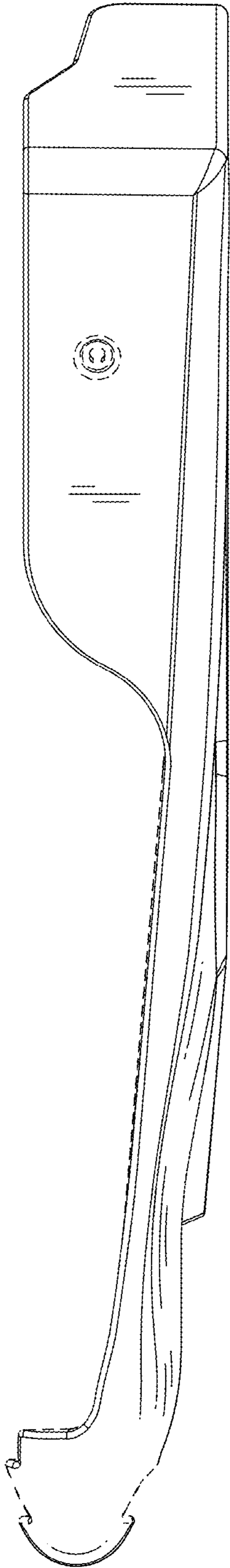


FIG. 27

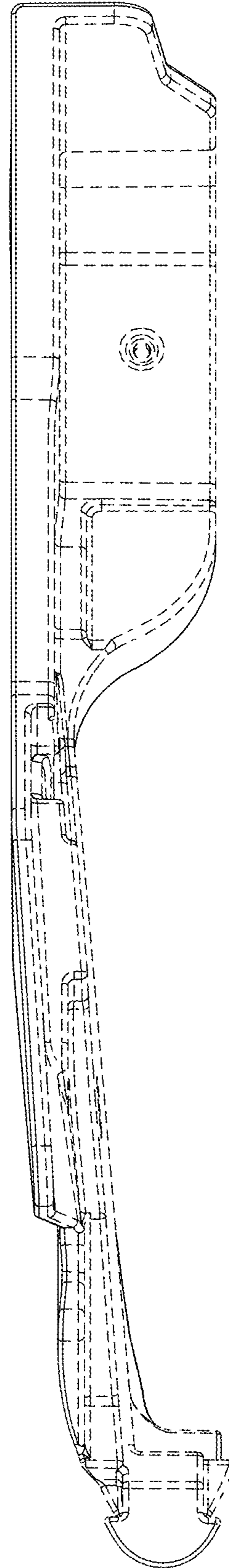


FIG. 28