



US00D934306S

(12) **United States Design Patent**
Boone et al.

(10) **Patent No.:** **US D934,306 S**

(45) **Date of Patent:** **** Oct. 26, 2021**

(54) **FENDER**

(71) Applicant: **Caterpillar Inc.**, Peoria, IL (US)

(72) Inventors: **Bradley Boone**, Decatur, IL (US);
Craig Cotterman, Oreana, IL (US);
Lankesh Mathur Shanmukappa,
Decatur, IL (US)

(73) Assignee: **Caterpillar Inc.**, Peoria, IL (US)

(**) Term: **15 Years**

(21) Appl. No.: **29/747,969**

(22) Filed: **Aug. 26, 2020**

Related U.S. Application Data

(63) Continuation of application No. 29/663,903, filed on
Sep. 19, 2018, now Pat. No. Des. 900,169.

(51) **LOC (13) Cl.** **15-03**

(52) **U.S. Cl.**
USPC **D15/28**

(58) **Field of Classification Search**

USPC D15/10, 22, 26, 28, 30, 31; 180/89.11,
180/89.12, 89.13, 89.19, 90; 296/190.01,
296/190.08, 210, 190, 202
CPC . B66C 13/54; E02F 9/16; E02F 9/163; B62D
33/0617; B60J 7/00; B60J 1/004
See application file for complete search history.

(56) **References Cited**

U.S. PATENT DOCUMENTS

8,882,152 B2 11/2014 Rund et al.
9,061,718 B2 6/2015 Tani et al.

D753,192 S 4/2016 Jackson et al.
D754,212 S 4/2016 Jackson et al.
D774,104 S 12/2016 Underhill et al.
D781,353 S 3/2017 Underhill et al.
D794,088 S 8/2017 Underhill et al.
D849,061 S 5/2019 Underhill et al.

OTHER PUBLICATIONS

Caterpillar Inc., "Motor Graders 140M3/140M3 AWD", <https://www.cat.com/en_US/products/new/equipment/motor-graders/m-series-motor-graders/18552913.html>, available as early as Oct. 11, 2014.

Primary Examiner — Mark A Goodwin

(74) *Attorney, Agent, or Firm* — Saidman Design Law
Group

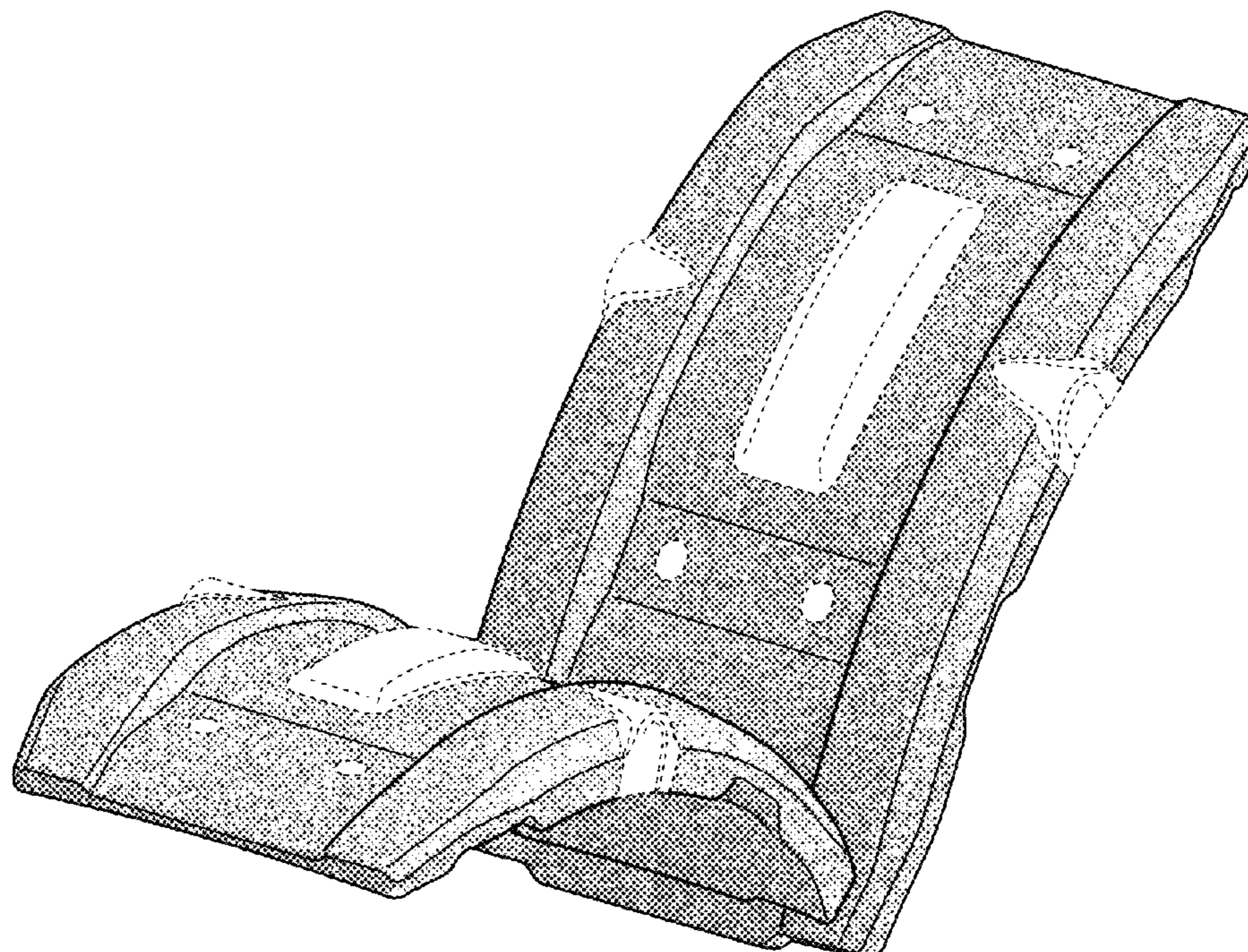
(57) **CLAIM**

The ornamental design for a fender, as shown and described.

DESCRIPTION

FIG. 1 is a perspective view of a fender showing our new design;
FIG. 2 is a front view thereof;
FIG. 3 is a rear view thereof;
FIG. 4 is a left side view thereof;
FIG. 5 is a right side view thereof;
FIG. 6 is a top view thereof; and,
FIG. 7 is a bottom view thereof.
The dashed broken lines illustrate structure or features which form no part of the claimed design.

1 Claim, 5 Drawing Sheets



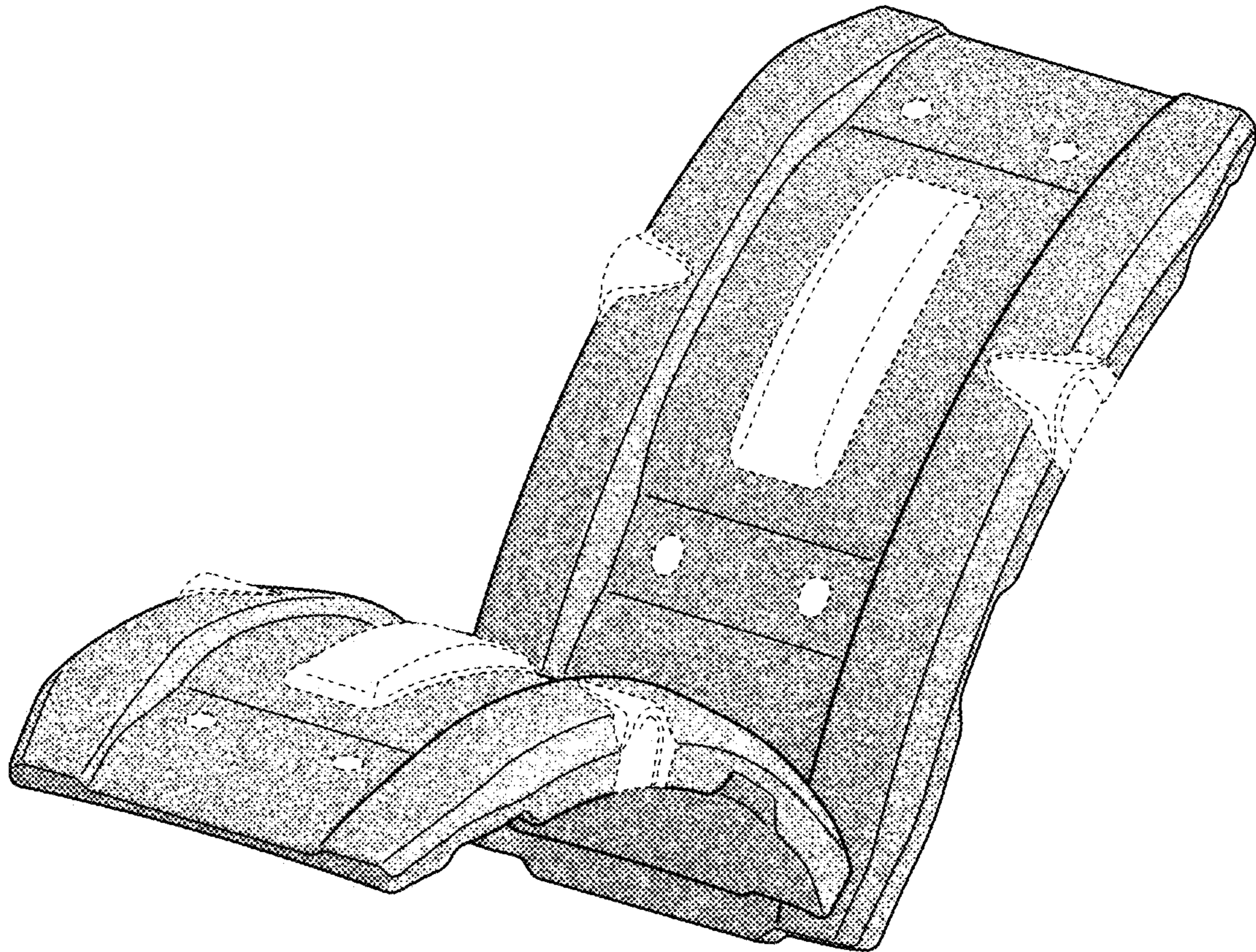


Fig. 1

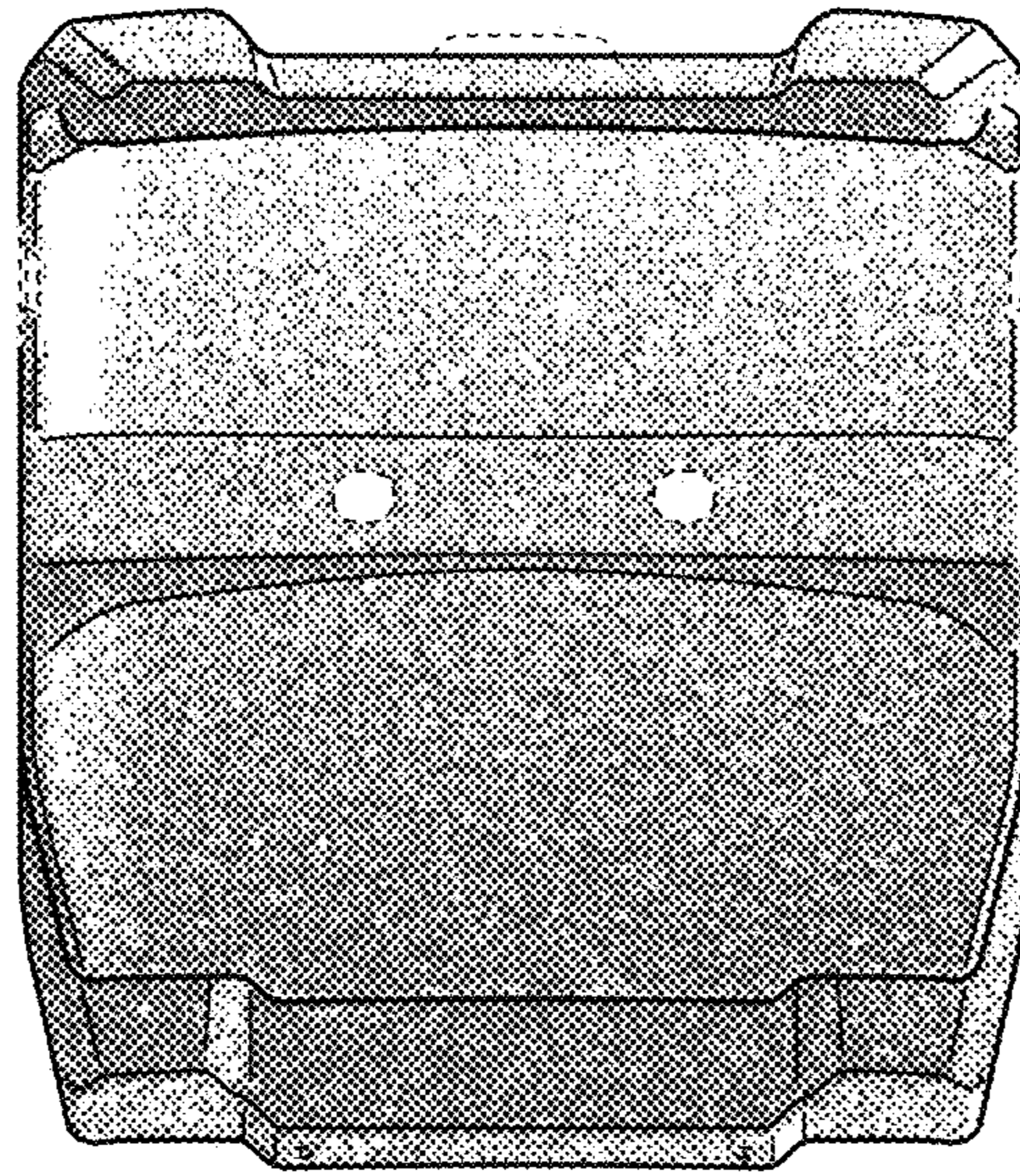


Fig. 2

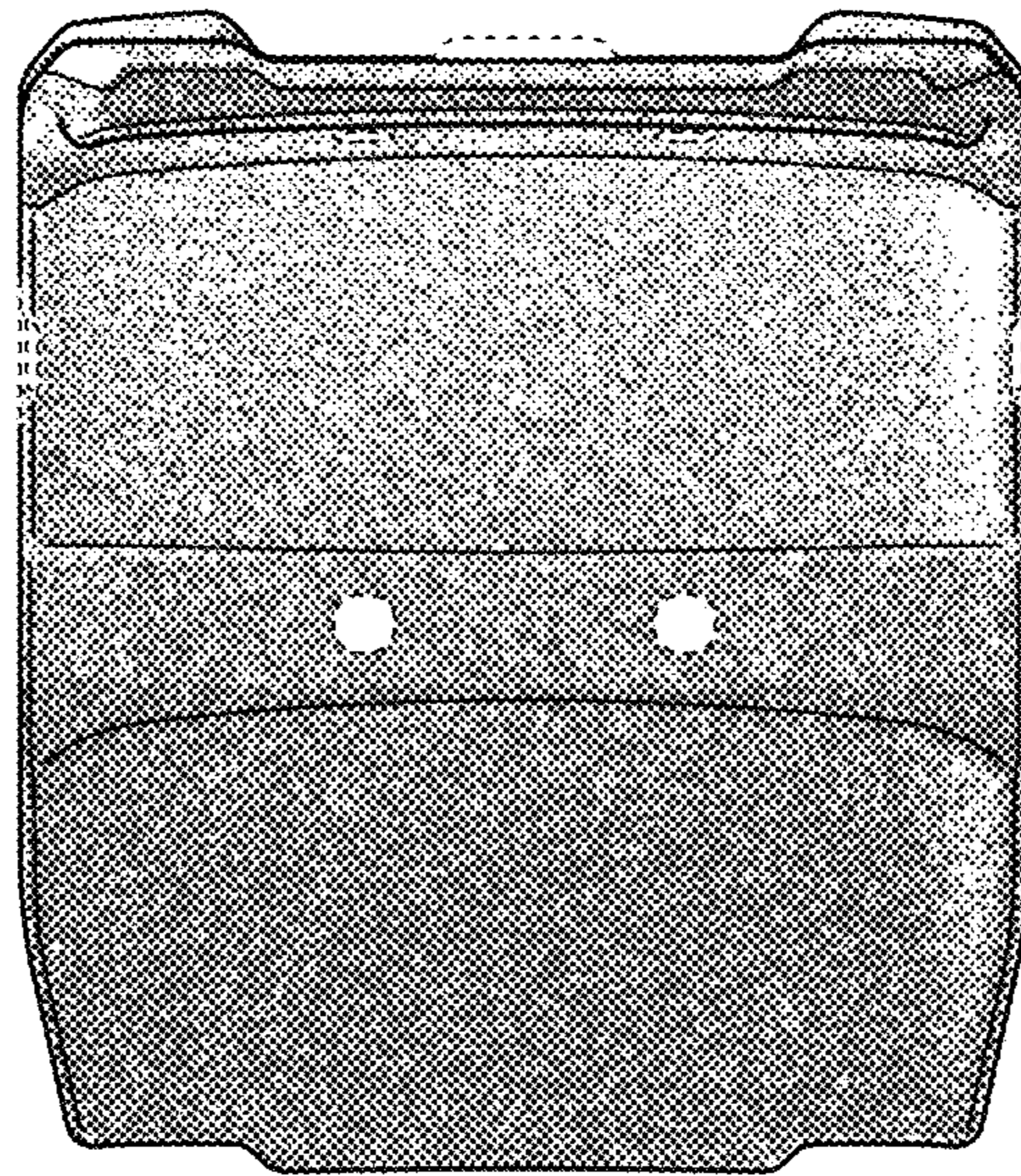


Fig. 3

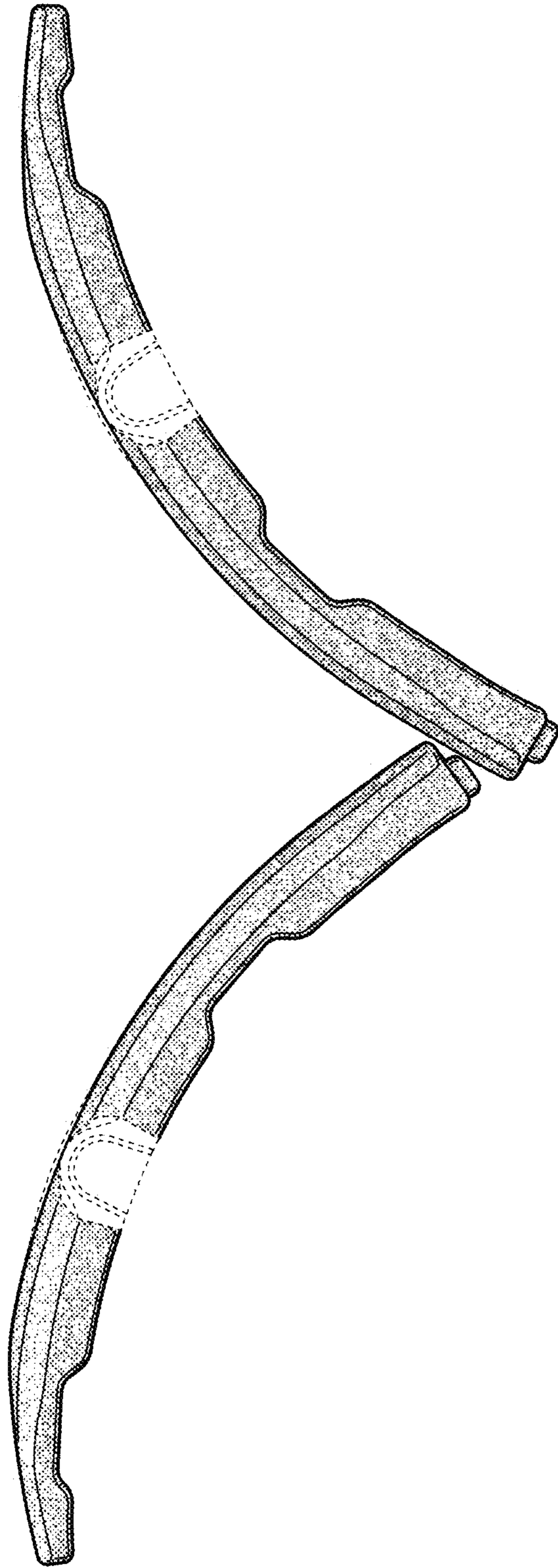


Fig. 4

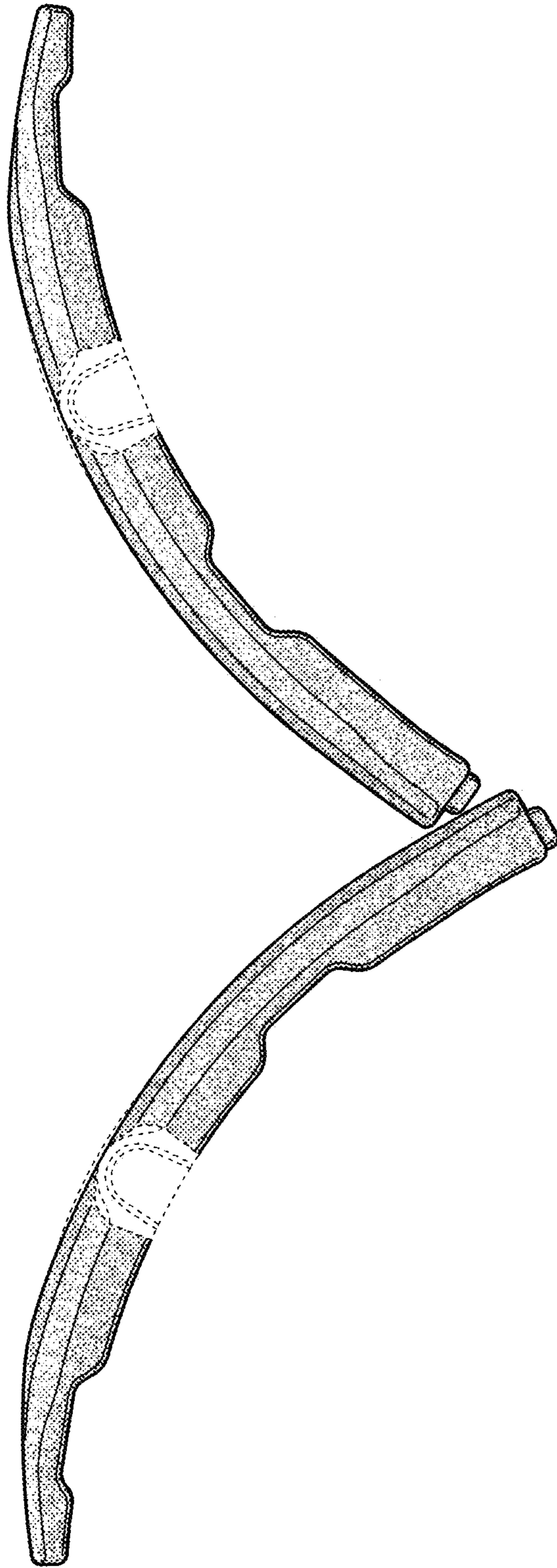


Fig. 5

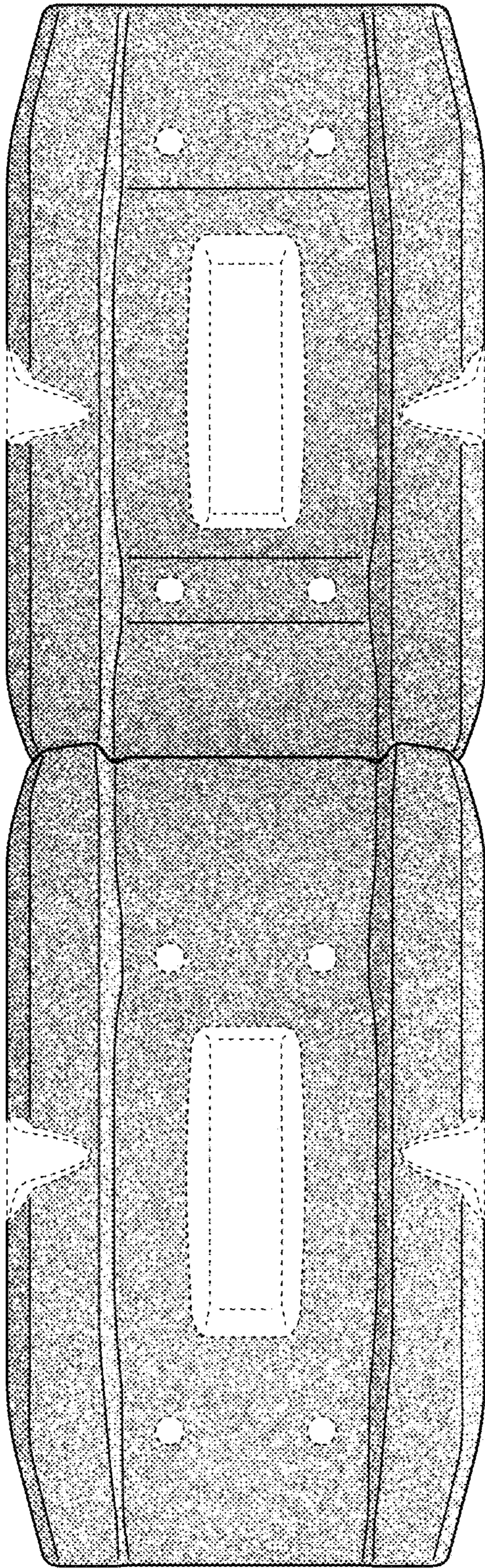


Fig. 6

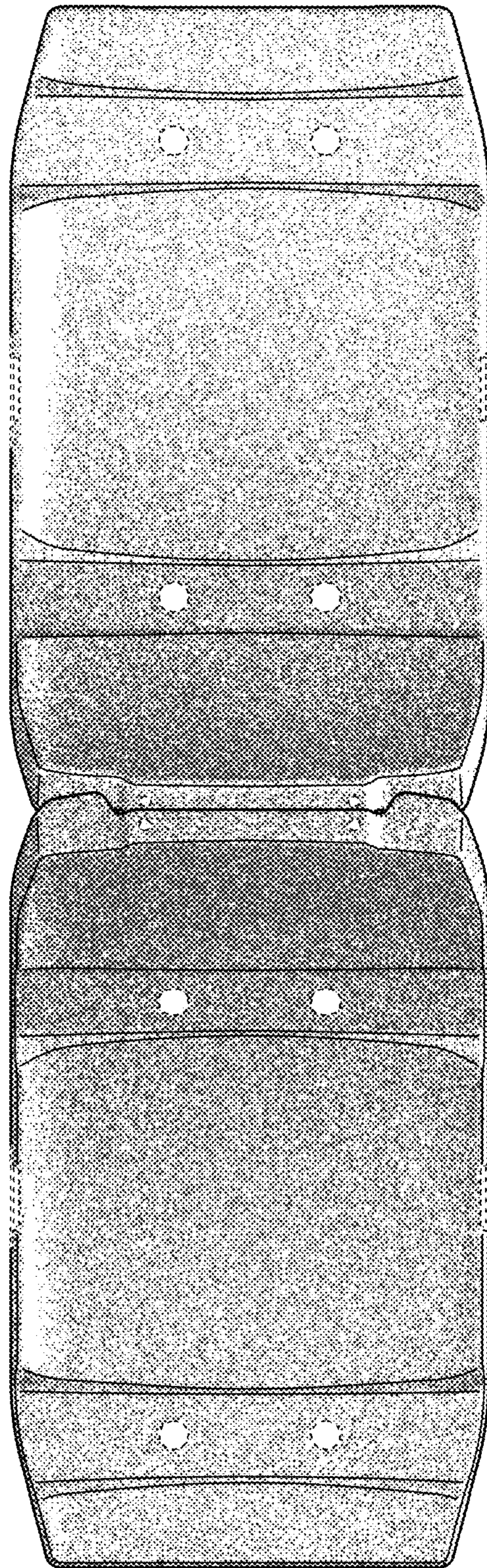


Fig. 7