



US00D934305S

(12) **United States Design Patent**
Roy et al.

(10) **Patent No.:** **US D934,305 S**

(45) **Date of Patent:** **** Oct. 26, 2021**

(54) **JOYSTICK BUTTON PANEL**

(71) Applicant: **Hyster-Yale Group, Inc.**, Fairview, OR (US)

(72) Inventors: **Neha Roy**, Nijmegen (NL); **Rene Vugts**, Nijmegen (NL)

(73) Assignee: **HYSTER-YALE GROUP, INC.**, Fairview, OR (US)

(**) Term: **15 Years**

(21) Appl. No.: **29/693,494**

(22) Filed: **Jun. 3, 2019**

(51) **LOC (13) Cl.** **15-03**

(52) **U.S. Cl.**
USPC **D15/28; D34/35**

(58) **Field of Classification Search**
USPC D14/400, 401, 412, 356, 358, 383, 388, D14/454, 203.3, 218, 426-431; D21/333, D21/324, 328; D13/162, 162.1, 163, D13/168-172; D10/78, 103; D15/28, 30; D34/35; D12/174, 179, 192
CPC A63F 13/00; A63F 13/02; A63F 13/20; A63F 13/24; A63F 13/25; A63F 13/90; A63F 13/98; G06F 3/014; G06F 3/017; G05G 9/047

See application file for complete search history.

(56) **References Cited**

U.S. PATENT DOCUMENTS

D449,614 S * 10/2001 Osborn D14/412
6,892,481 B2 * 5/2005 Yamamoto E02F 9/2004
324/207.2
D559,749 S * 1/2008 Barbieri D12/179
7,334,658 B2 * 2/2008 Berg B62D 1/12
180/333
D590,848 S * 4/2009 Umeda D15/28
D595,744 S * 7/2009 Umeda D15/28
D606,100 S * 12/2009 Kobayashi D15/28

D606,567 S * 12/2009 Kobayashi D15/28
D628,601 S * 12/2010 Muraoka D15/28
D633,111 S * 2/2011 Muraoka D15/28
D635,155 S * 3/2011 Blind D15/28
D661,712 S * 6/2012 Muraoka D15/28
D671,565 S * 11/2012 Kinoshita D15/28
D678,283 S * 3/2013 Olson D14/412
D709,102 S * 7/2014 Tokuda D15/28
D727,904 S * 4/2015 Jensen D14/415
D734,335 S * 7/2015 Jensen D14/415
D745,008 S * 12/2015 Jensen D14/415

(Continued)

OTHER PUBLICATIONS

W. Gessman GmbH; Crane System and Hosting Equipment, Multi-Axis Controller V85/VV85, on-line catalog, last accessed Sep. 16, 2019, <https://www.gessmann.com/products/crane-systems-and-hosting-equipment/multi-axis-controller/multi-axis-controller-v85-vv85/>.

Primary Examiner — Rebekah A Caruso
(74) *Attorney, Agent, or Firm* — Schwabe Williamson & Wyatt

(57) **CLAIM**

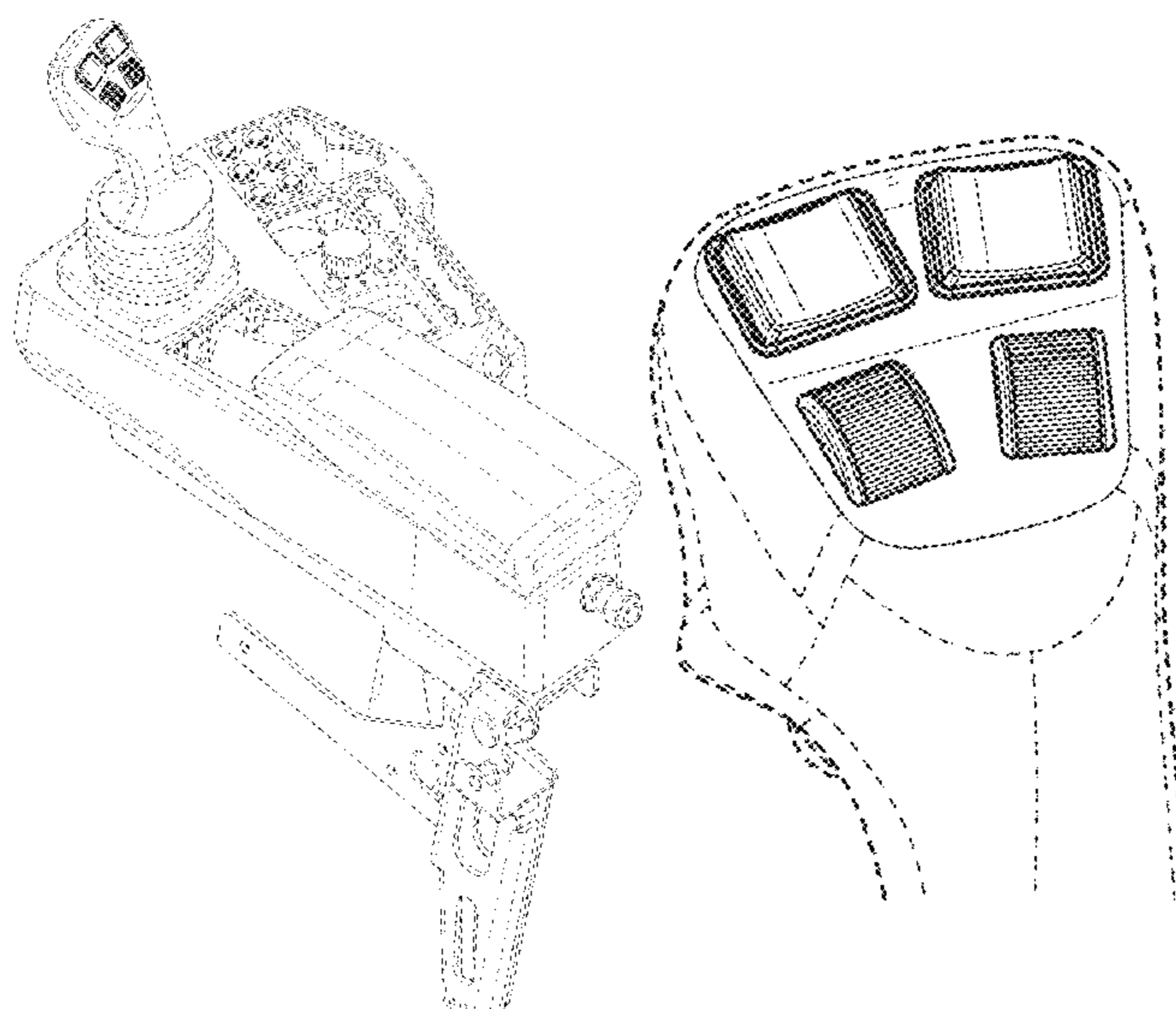
We claim the ornamental design for a joystick button panel, as shown and described.

DESCRIPTION

FIG. 1 is a perspective view showing the design;
FIG. 2 is a front view;
FIG. 3 is a left side view;
FIG. 4 is a right side view; and
FIG. 5 is a top view; and,
FIG. 6 is a close-up perspective view of the design, enlarged and isolated for clarity of disclosure.

As the design will not be visible from the bottom or rear in use, no bottom or rear view has been provided. The dashed lines depict portions of the article and environmental structure that forms no part of the claimed design.

1 Claim, 6 Drawing Sheets



(56)

References Cited

U.S. PATENT DOCUMENTS

D868,670 S * 12/2019 Kruk D12/345
D874,410 S * 2/2020 Li D13/169
D885,352 S * 5/2020 Li D13/169
2014/0091181 A1* 4/2014 Ouellette B64C 13/0427
244/223
2016/0202721 A1* 7/2016 Bernardy G06F 3/038
74/471 XY
2020/0012309 A1* 1/2020 Wuisan G05G 9/047
2020/0173234 A1* 6/2020 Glover E21B 7/022

* cited by examiner

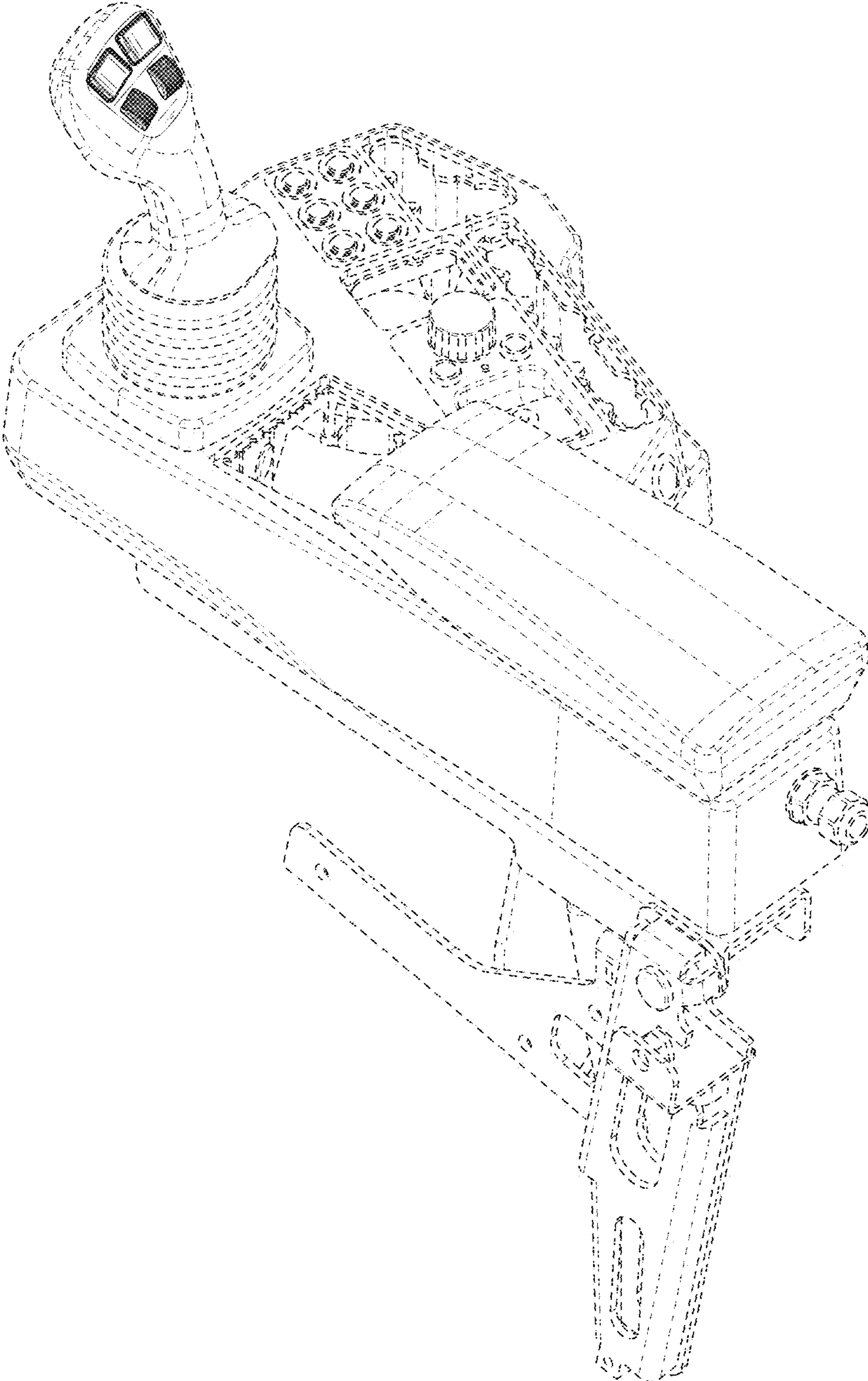


FIG. 1

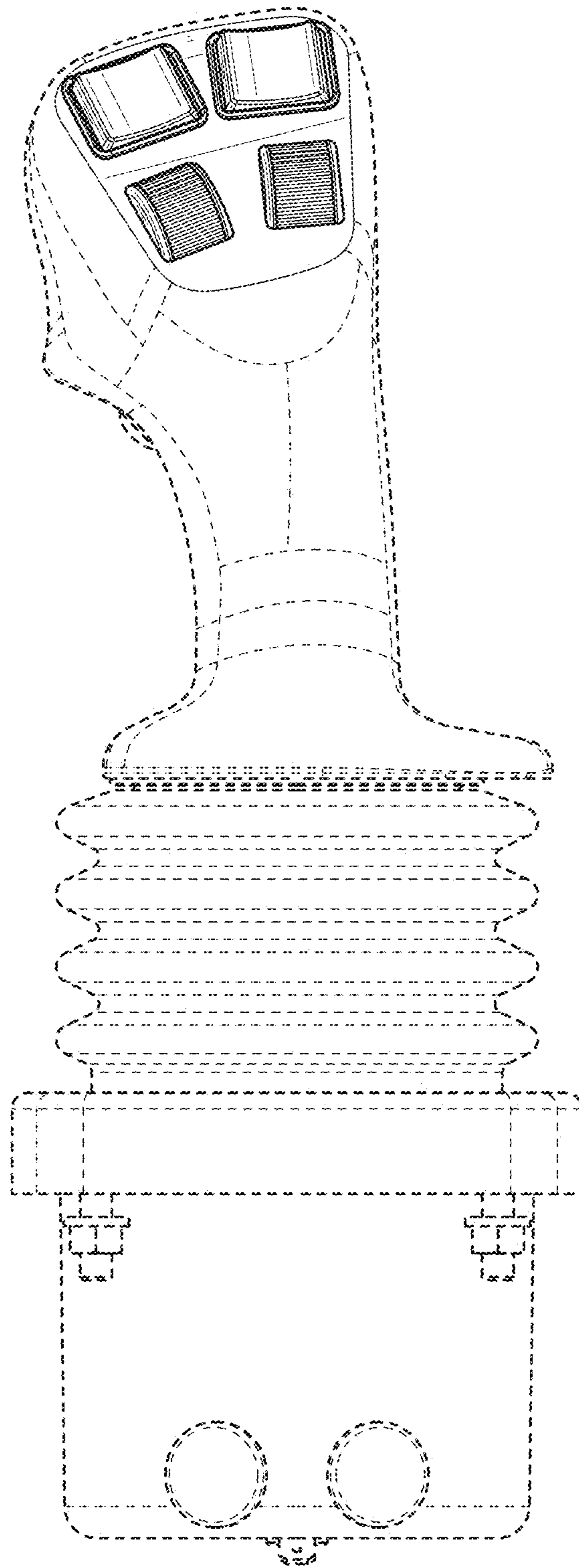


FIG. 2

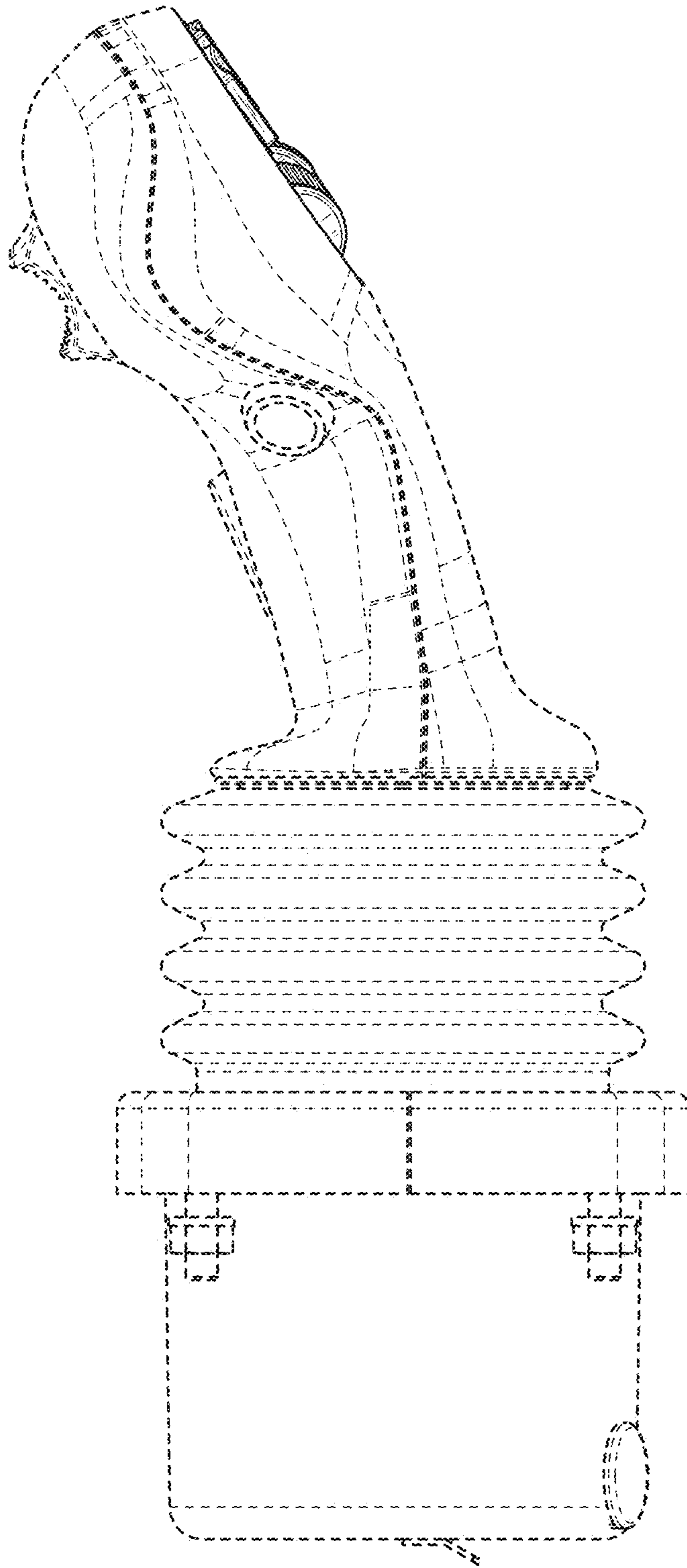


FIG. 3

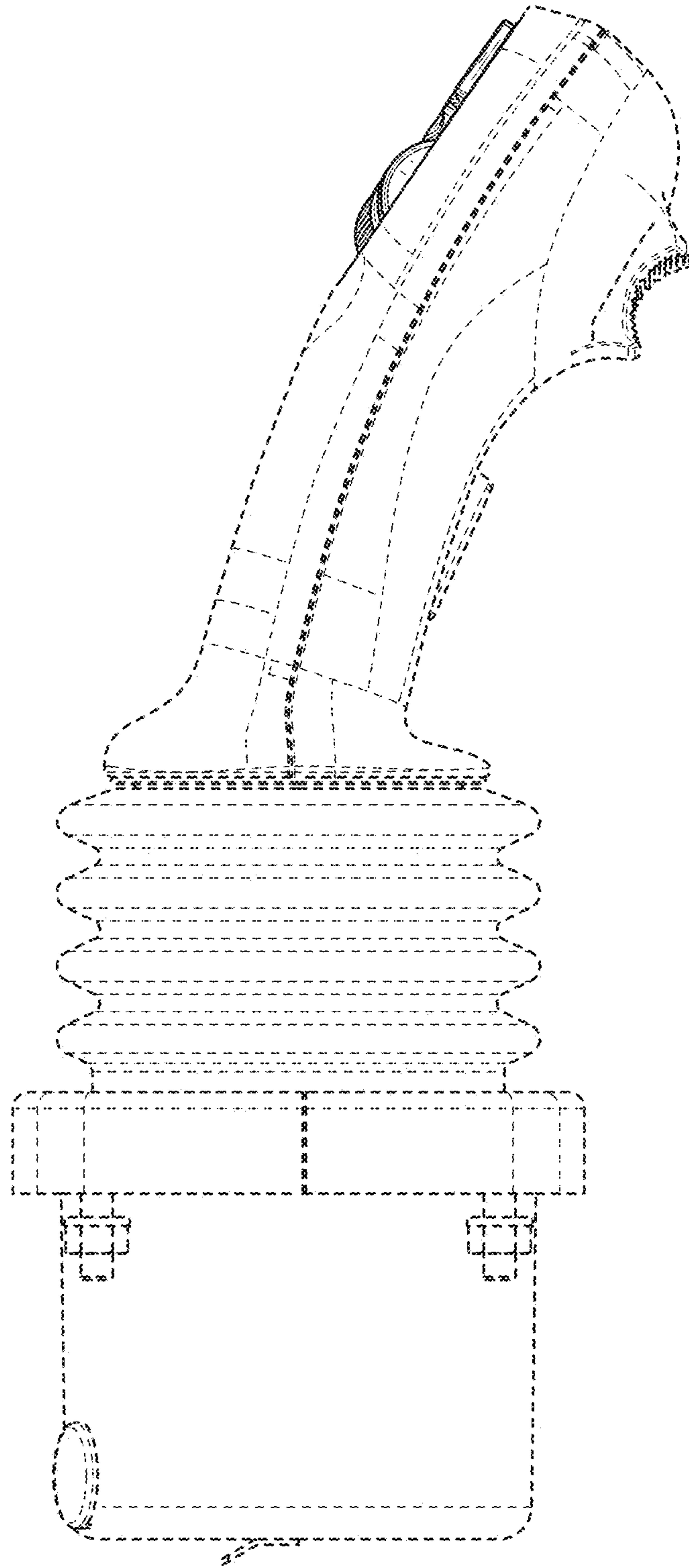


FIG. 4

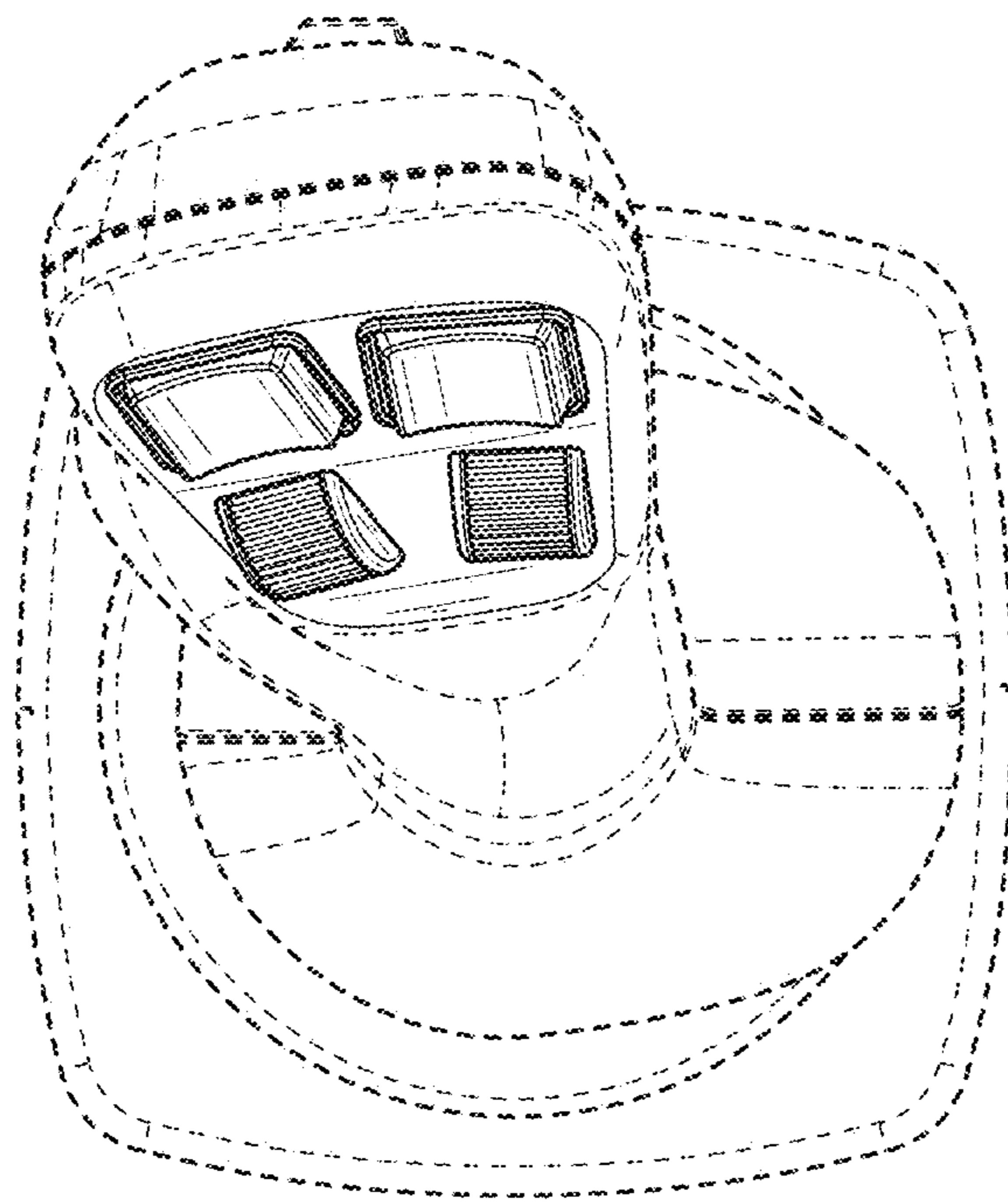


FIG. 5

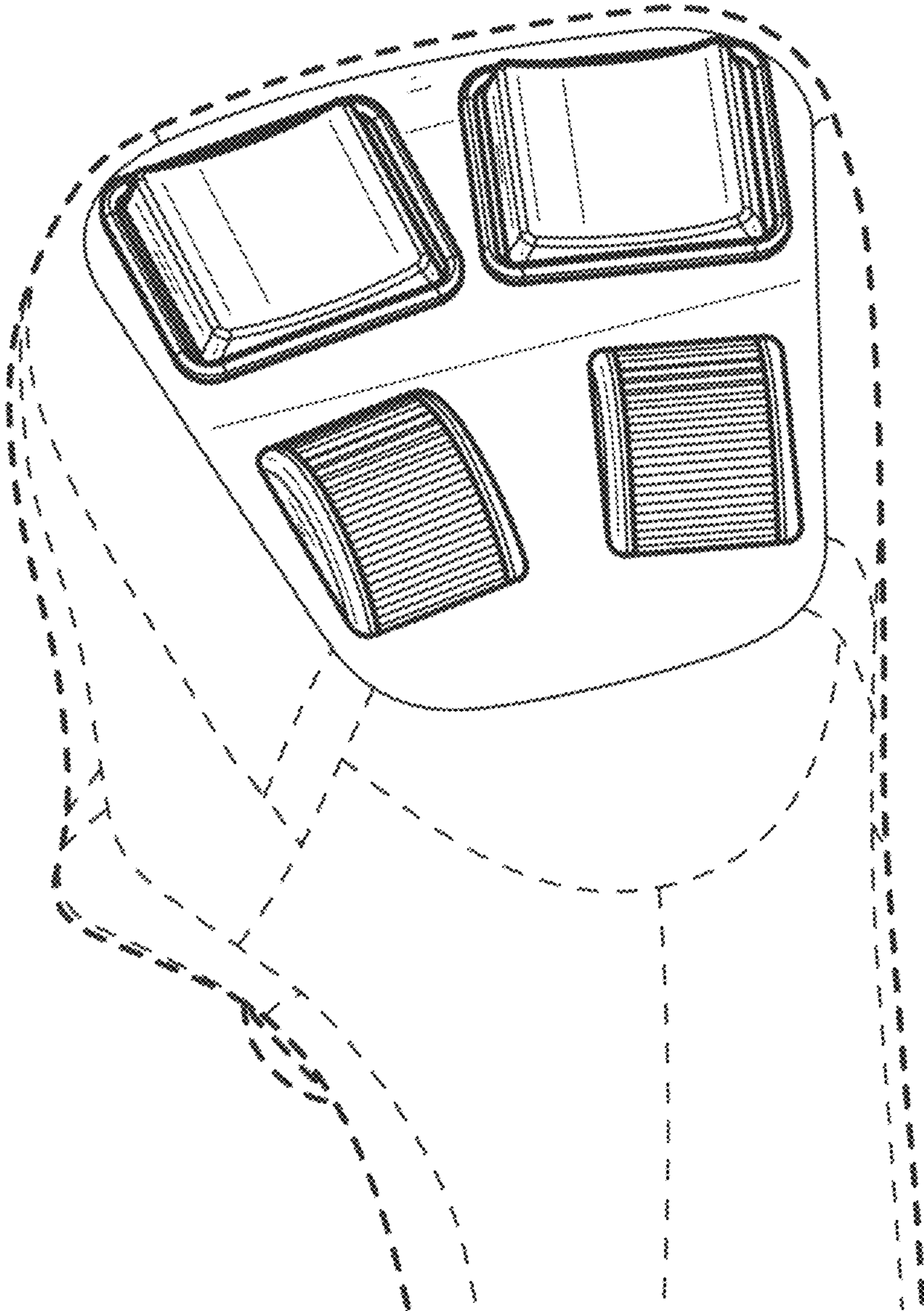


FIG. 6