

US00D934304S

(12) **United States Design Patent** (10) **Patent No.:** **US D934,304 S**  
**Lin** (45) **Date of Patent:** **\*\* Oct. 26, 2021**

(54) **DUAL CHAMBER DIAPHRAGM PUMP**

D701,246 S \* 3/2014 Cook ..... D15/7  
D735,240 S \* 7/2015 Cook ..... D15/7  
D752,110 S \* 3/2016 Cook ..... D15/7  
2014/0341752 A1\* 11/2014 Gell, III ..... F04D 13/0686  
417/44.1

(71) Applicant: **FUJIAN AIDI ELECTRIC CO., LTD.**, Longyan (CN)

(72) Inventor: **Xi Zhen Lin**, Xiamen (CN)

(73) Assignee: **FUJIAN AIDI ELECTRIC CO., LTD.**, Longyan (CN)

(\*\*) Term: **15 Years**

(21) Appl. No.: **29/745,440**

(22) Filed: **Aug. 6, 2020**

(30) **Foreign Application Priority Data**

Apr. 15, 2020 (CN) ..... 202030149869.9

(51) **LOC (13) Cl.** ..... **15-02**

(52) **U.S. Cl.**  
USPC ..... **D15/7**

(58) **Field of Classification Search**  
USPC ..... D23/206, 213, 214, 225, 231, 232, 387,  
D23/421; D15/7-9.1, 21, 199  
CPC ..... F04D 15/0088; F04D 15/0066; F04D  
15/0245; F04D 3/00; F04D 3/005; F04D  
3/02; F04D 13/06; F04D 29/041; F04D  
29/22; F04D 29/60; F04D 29/605; F04B  
2203/0208; F04B 17/03; F04B 17/046;  
F04B 17/048; F04B 35/04; F04B 43/04;  
F04B 43/043

See application file for complete search history.

(56) **References Cited**

**U.S. PATENT DOCUMENTS**

4,019,837 A \* 4/1977 Eull ..... F04B 43/067  
417/386  
D327,075 S \* 6/1992 Tiedemann ..... D15/7  
D664,156 S \* 7/2012 Meza ..... D15/7  
D669,501 S \* 10/2012 Meza ..... D15/7  
D698,369 S \* 1/2014 Meza ..... D15/7

**OTHER PUBLICATIONS**

SEAFLO, 23B Series Automatic Demand Diaphragm Pump, (site visited Jul. 15, 2021), SEAFLOW.com, URL:<www.seaflo.com/en-us/product/detail/21471.html> (Year: 2021).\*  
ECO-WORTHY, Water Diaphragm Self Priming Pump, 45PSI 4.5GPM 17L/min High Pressure Water Pump 110V, (first available Jun. 17, 2020), Amazon.com, URL:<https://www.amazon.com/ECO-WORTHY-Diaphragm-Pressure-Agriculture-Applications/dp/B08BCFK7SD/> (Year: 2020).\*

\* cited by examiner

*Primary Examiner* — Calvin E Vansant

*Assistant Examiner* — Mark T. Philipps

(74) *Attorney, Agent, or Firm* — Bayramoglu Law Offices LLC

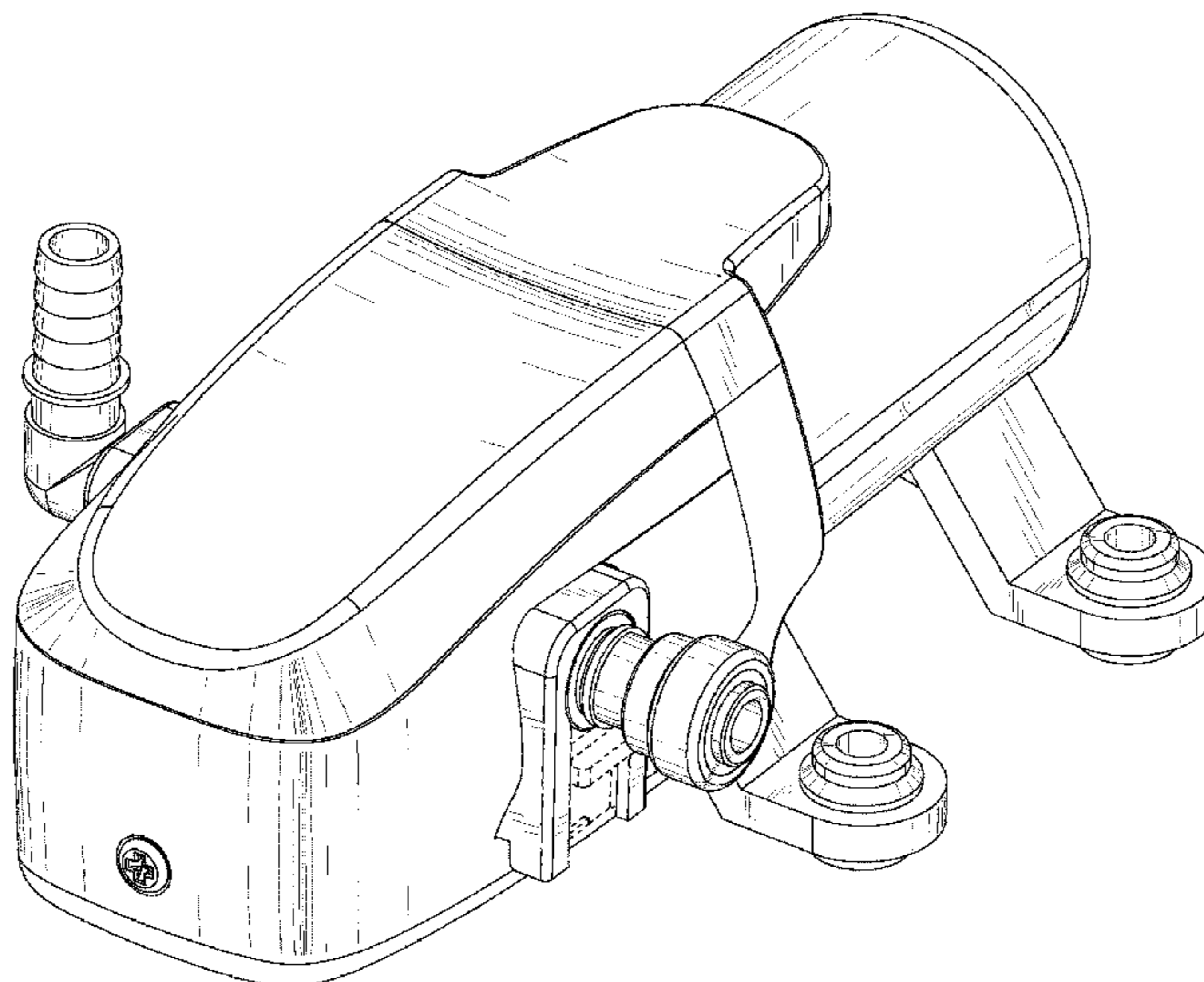
(57) **CLAIM**

The ornamental design for a dual chamber diaphragm pump, as shown and described.

**DESCRIPTION**

FIG. 1 is a perspective view of a dual chamber diaphragm pump showing my new design;  
FIG. 2 is a front view thereof;  
FIG. 3 is a rear view thereof;  
FIG. 4 is a left side view thereof;  
FIG. 5 is a right side view thereof;  
FIG. 6 is a top view thereof; and,  
FIG. 7 is a bottom view thereof.  
The broken lines depict portions of the dual chamber diaphragm pump in which the design is embodied that form no part of the claimed design.

**1 Claim, 7 Drawing Sheets**



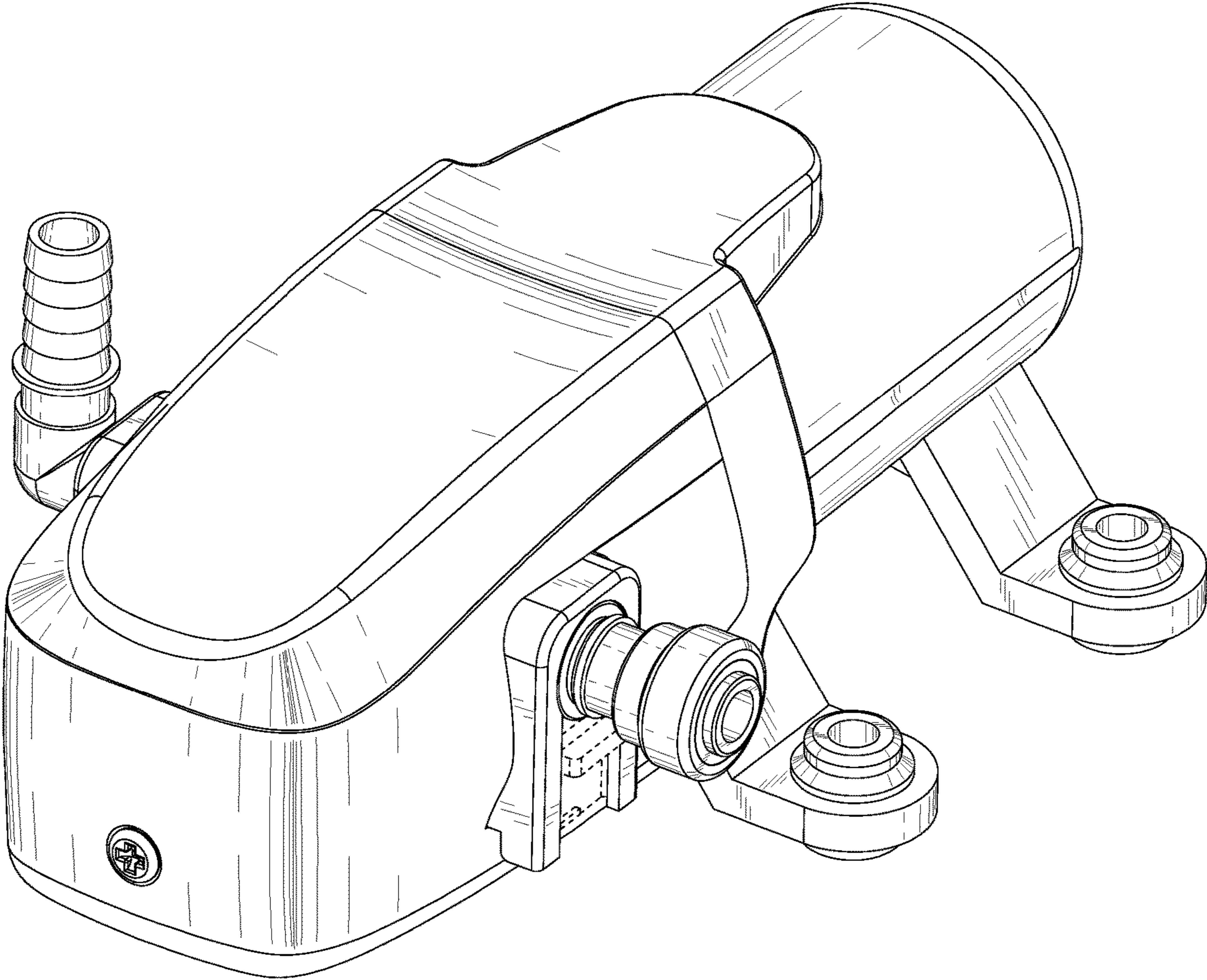


FIG. 1

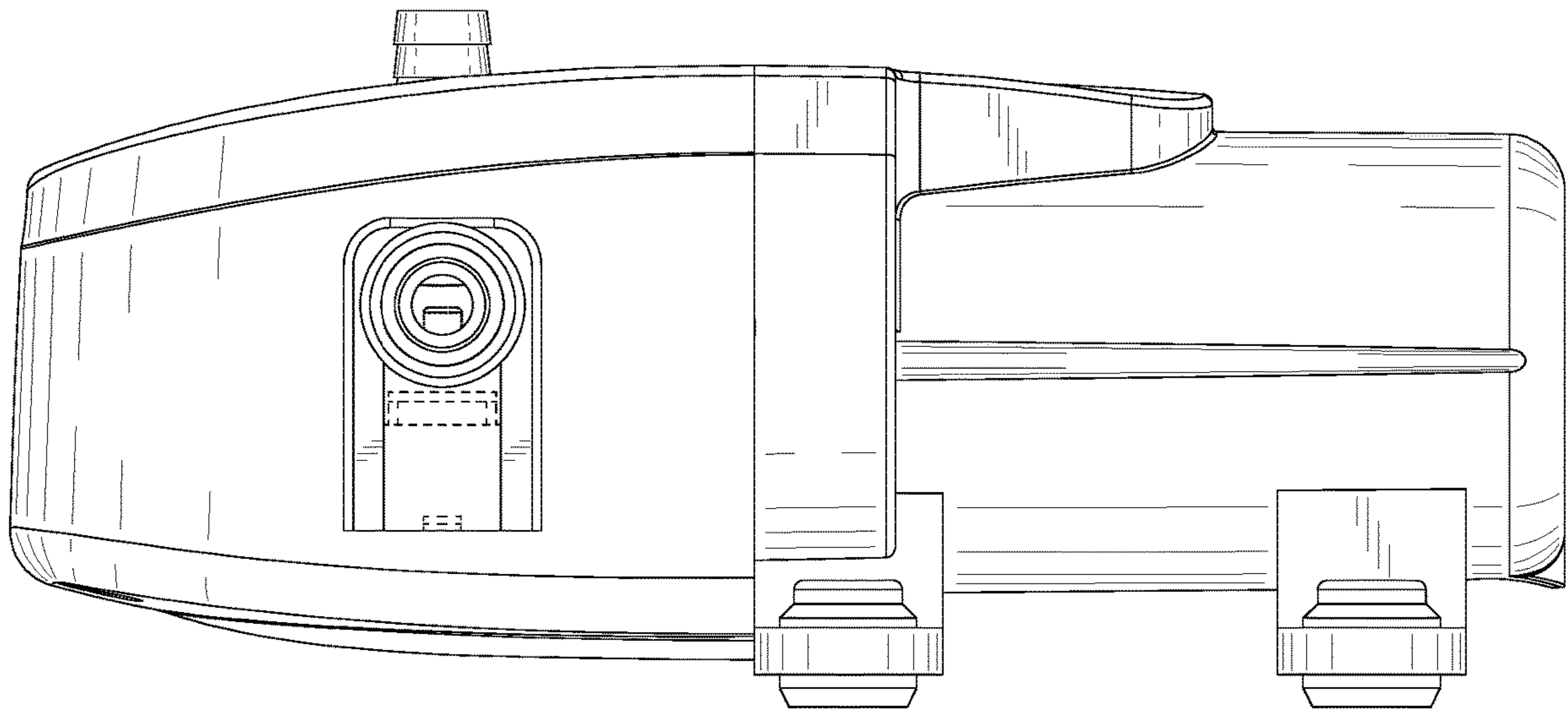


FIG. 2

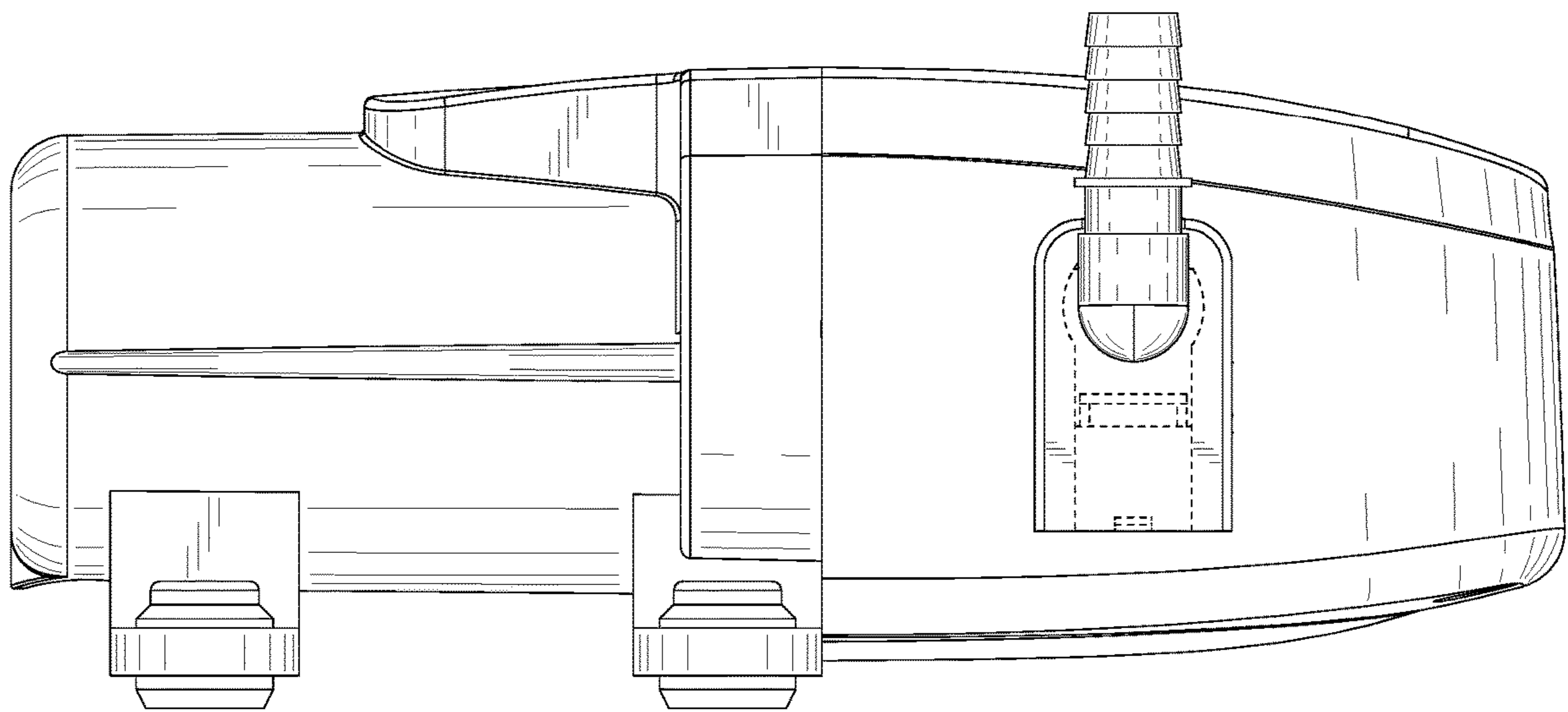


FIG. 3

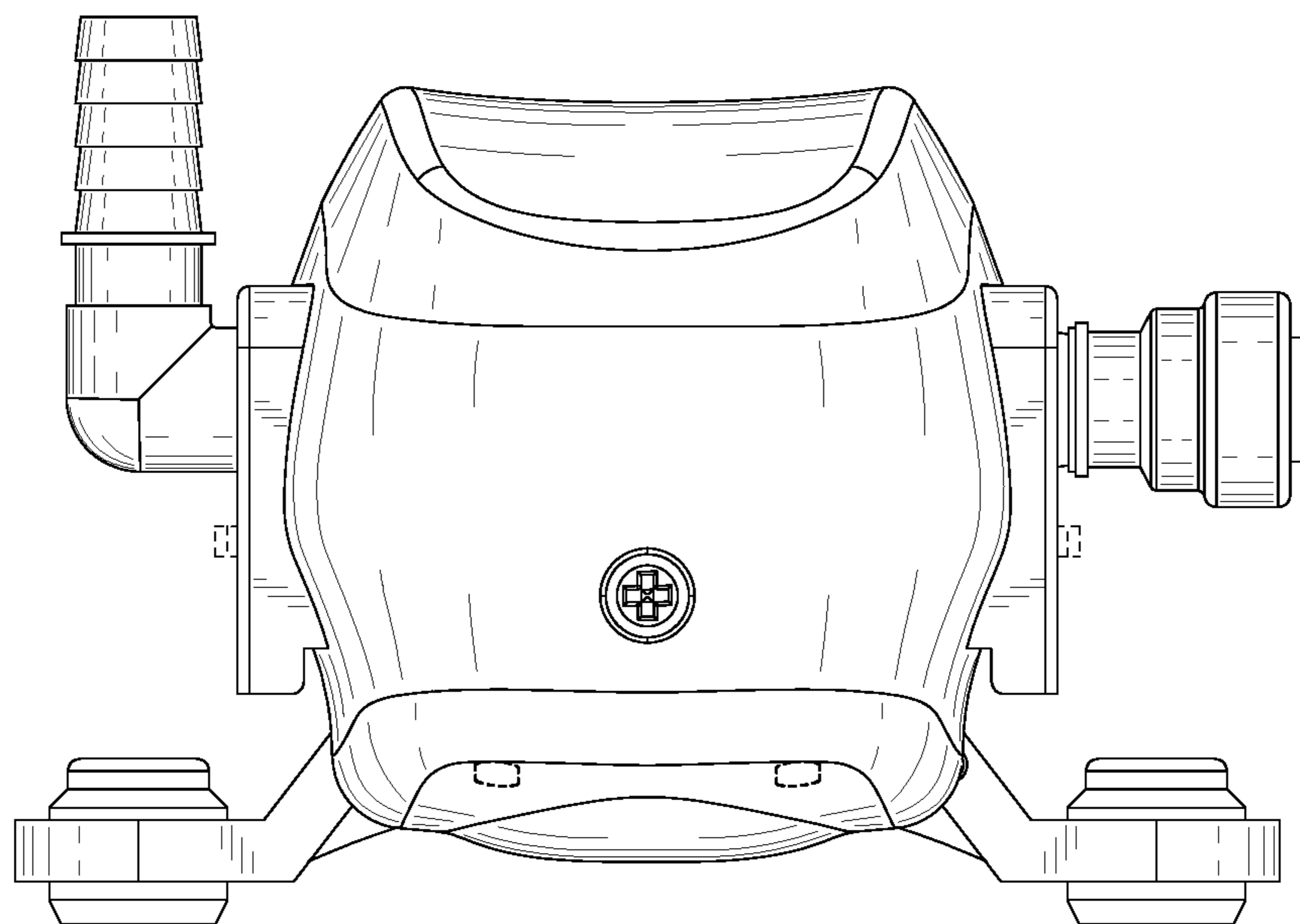


FIG. 4

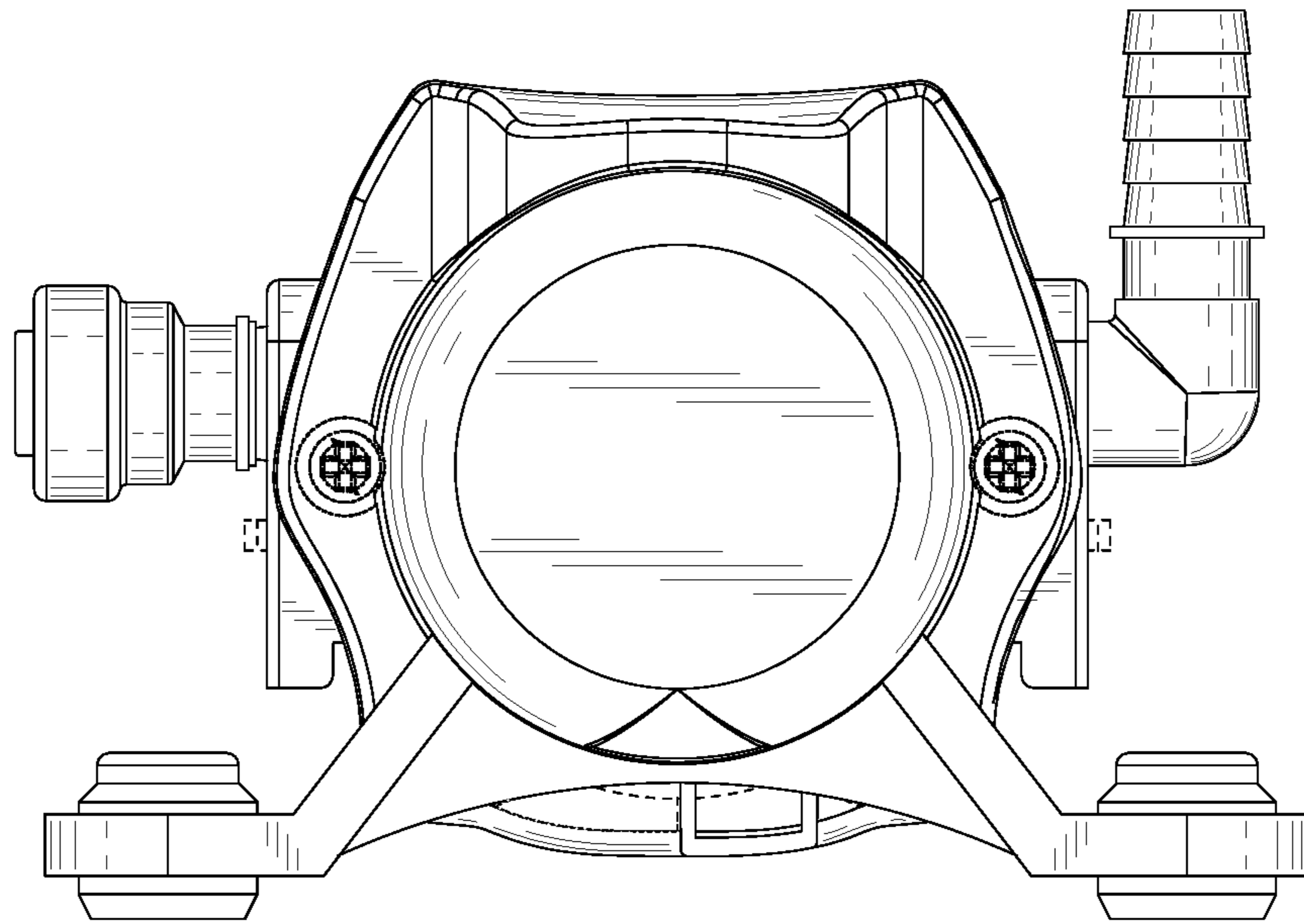


FIG. 5

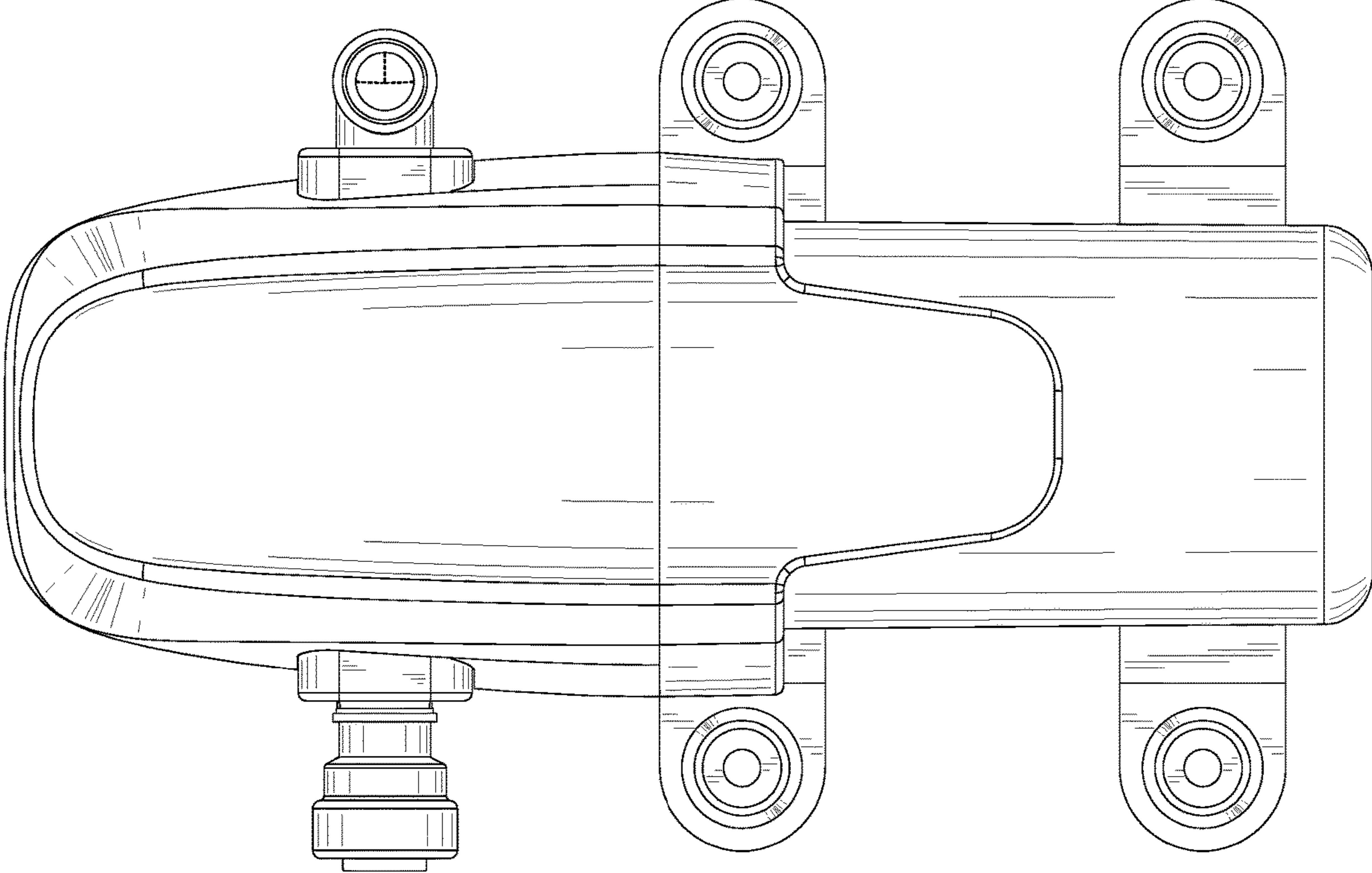


FIG. 6

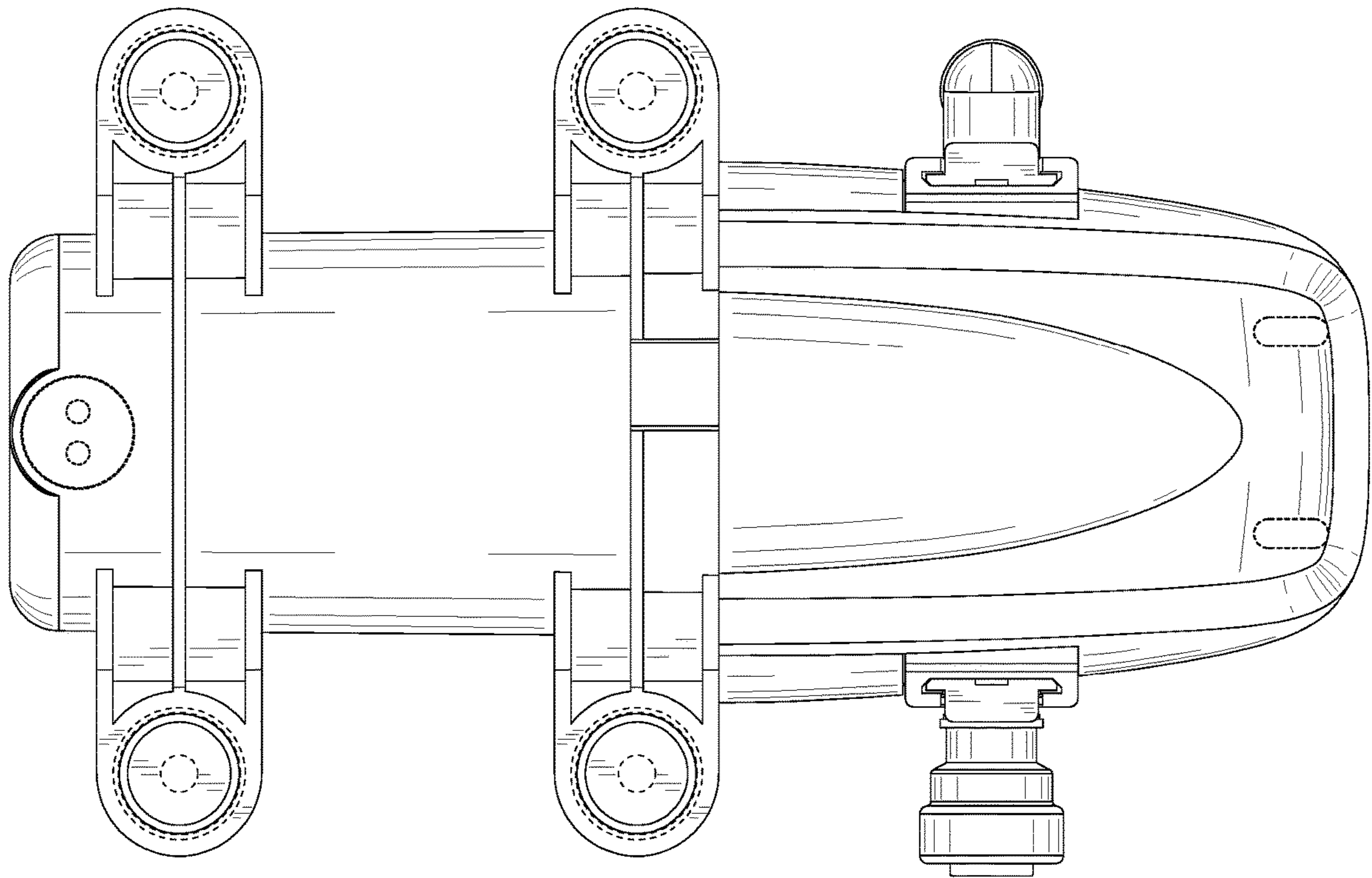


FIG. 7