



US00D934303S

(12) **United States Design Patent** (10) **Patent No.:** **US D934,303 S**
Lin (45) **Date of Patent:** **** Oct. 26, 2021**

(54) **HORIZONTAL SUBMERSIBLE PUMP**

D752,110 S * 3/2016 Cook D15/7
2014/0341752 A1* 11/2014 Gell, III F04D 13/0686
417/44.1
2020/0124056 A1* 4/2020 Wu H02K 7/14

(71) Applicant: **FUJIAN AIDI ELECTRIC CO., LTD.**, Longyan (CN)

(72) Inventor: **Xi Zhen Lin**, Xiamen (CN)

(73) Assignee: **FUJIAN AIDI ELECTRIC CO., LTD.**, Longyan (CN)

(**) Term: **15 Years**

(21) Appl. No.: **29/745,436**

(22) Filed: **Aug. 6, 2020**

(30) **Foreign Application Priority Data**

Jun. 19, 2020 (CN) 202030319901.3

(51) **LOC (13) Cl.** **15-02**

(52) **U.S. Cl.**
USPC **D15/7**

(58) **Field of Classification Search**
USPC D23/206, 213, 214, 225, 231, 232, 387,
D23/421; D15/7-9.1, 21, 199
CPC F04D 15/0088; F04D 15/0066; F04D
15/0245; F04D 3/00; F04D 3/005; F04D
3/02; F04D 13/06; F04D 29/041; F04D
29/22; F04D 29/60; F04D 29/605; F04B
2203/0208; F04B 17/03; F04B 17/046;
F04B 17/048; F04B 35/04; F04B 43/04;
F04B 43/043

See application file for complete search history.

(56) **References Cited**

U.S. PATENT DOCUMENTS

D701,246 S * 3/2014 Cook D15/7
D735,240 S * 7/2015 Cook D15/7

OTHER PUBLICATIONS

SeaFlo, 14B Series Narrow Low Profile Time Sensing Automatic Bilge Pumps, (site visited Jul. 15, 2021), SEAFLOW.com, URL:<http://www.seaflo.com/en-us/product/detail/21466.html> (Year: 2021).*
Eco-Worthy, Water Diaphragm Self Priming Pump, 45PSI 4.5GPM 17L/min High Pressure Water Pump 110V, (first available Jun. 17, 2020), Amazon.com, URL:<https://www.amazon.com/ECO-WORTHY-Diaphragm-Pressure-Agriculture-Applications/dp/B08BCFK7SD/> (Year: 2020).*

* cited by examiner

Primary Examiner — Calvin E Vansant

Assistant Examiner — Mark T. Philipps

(74) *Attorney, Agent, or Firm* — Bayramoglu Law Offices LLC

(57) **CLAIM**

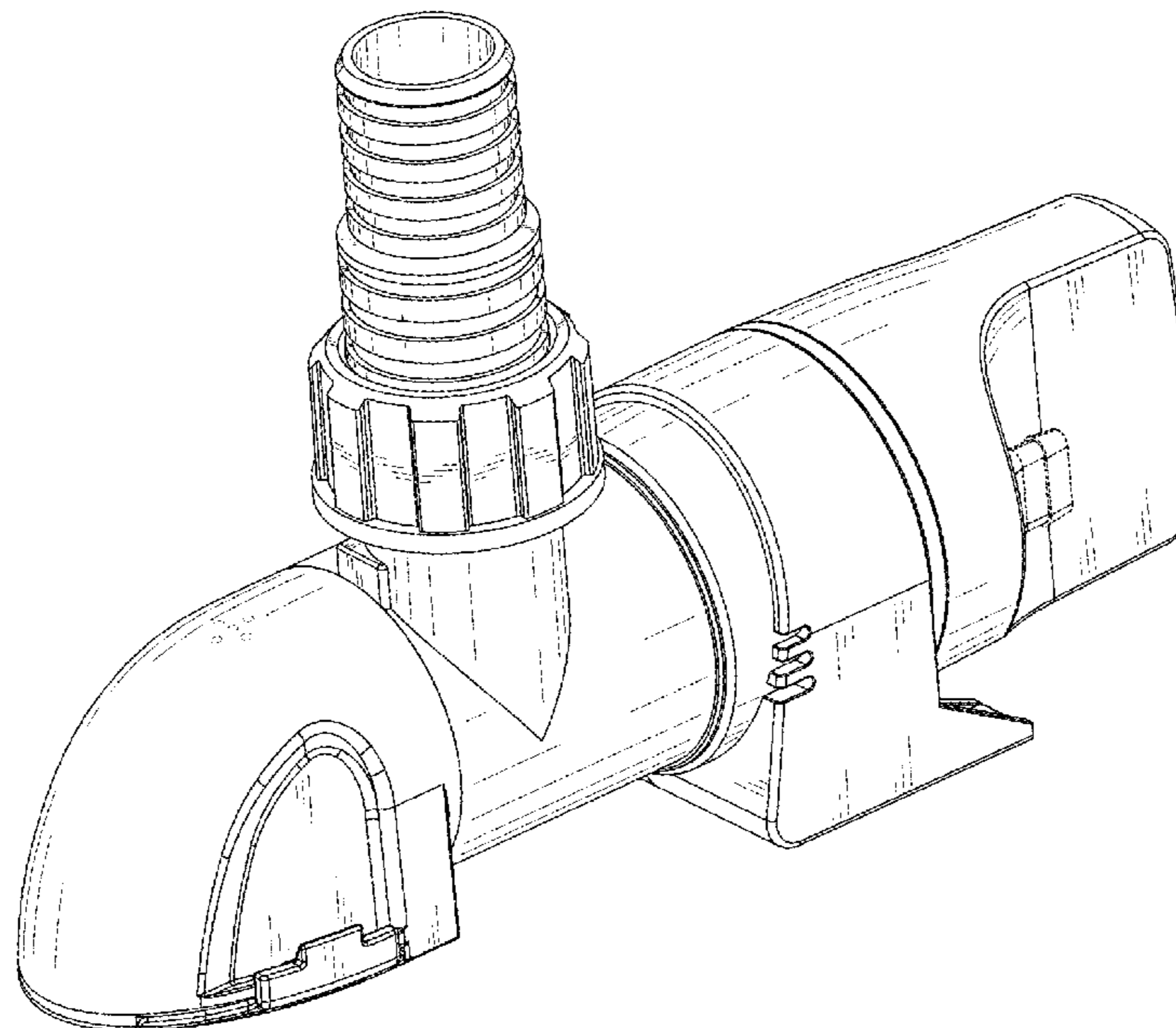
The ornamental design for a horizontal submersible pump, as shown and described.

DESCRIPTION

FIG. 1 is a perspective view of a horizontal submersible pump showing my new design;
FIG. 2 is a front view thereof;
FIG. 3 is a rear view thereof;
FIG. 4 is a left side view thereof;
FIG. 5 is a right side view thereof;
FIG. 6 is a top view thereof; and,
FIG. 7 is a bottom view thereof.

The broken lines depict portions of the horizontal submersible pump in which the design is embodied that form no part of the claimed design.

1 Claim, 7 Drawing Sheets



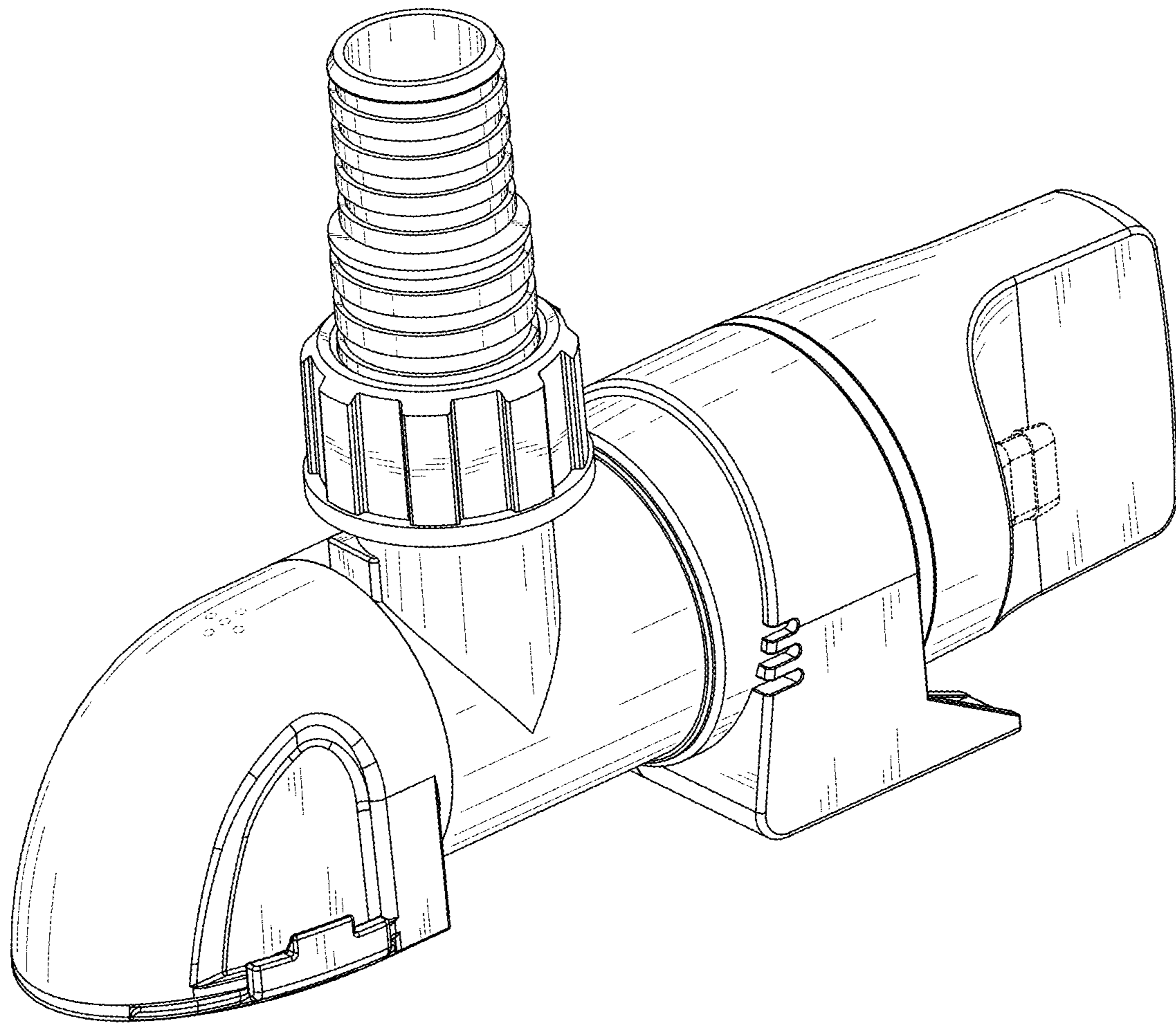


FIG. 1

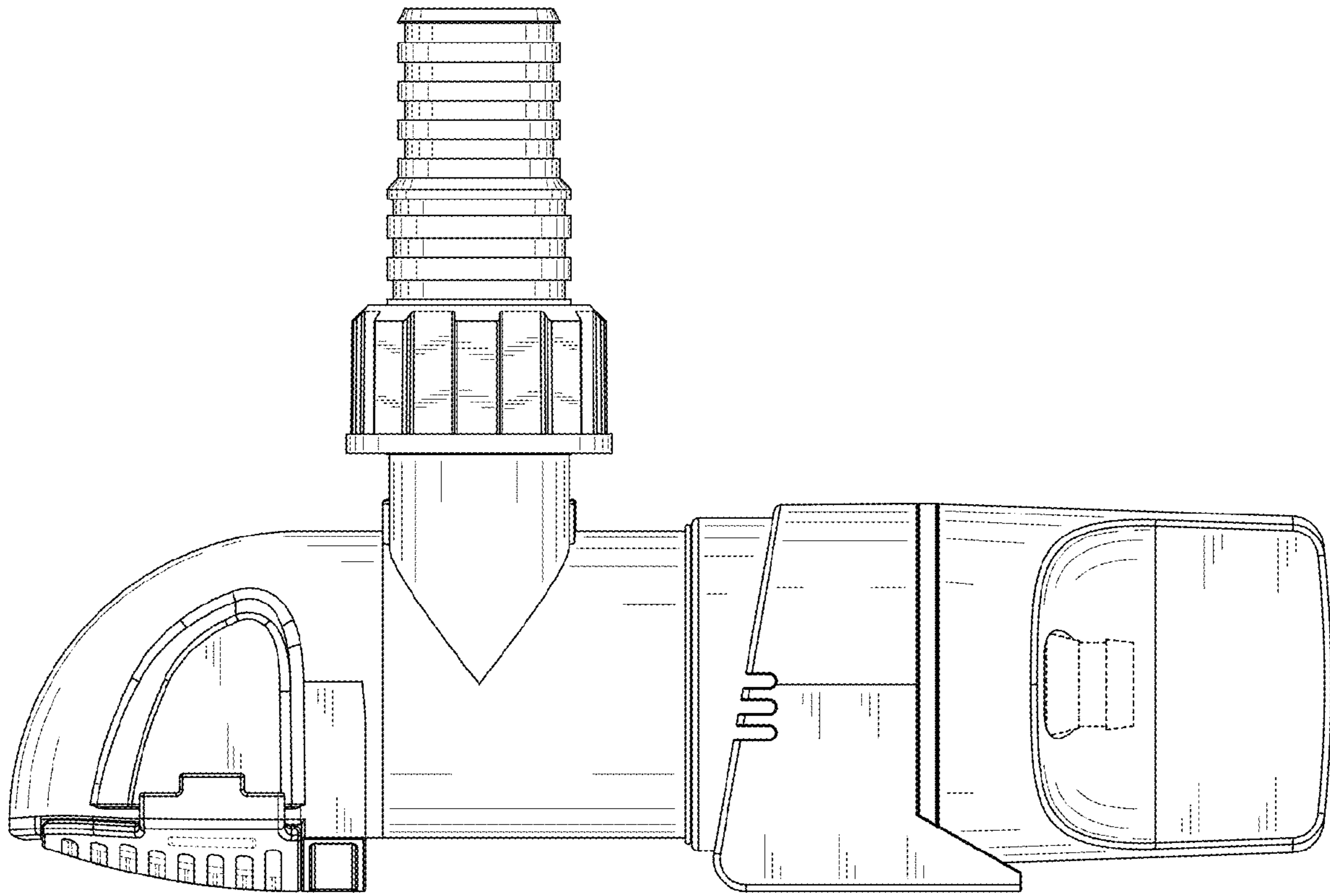


FIG. 2

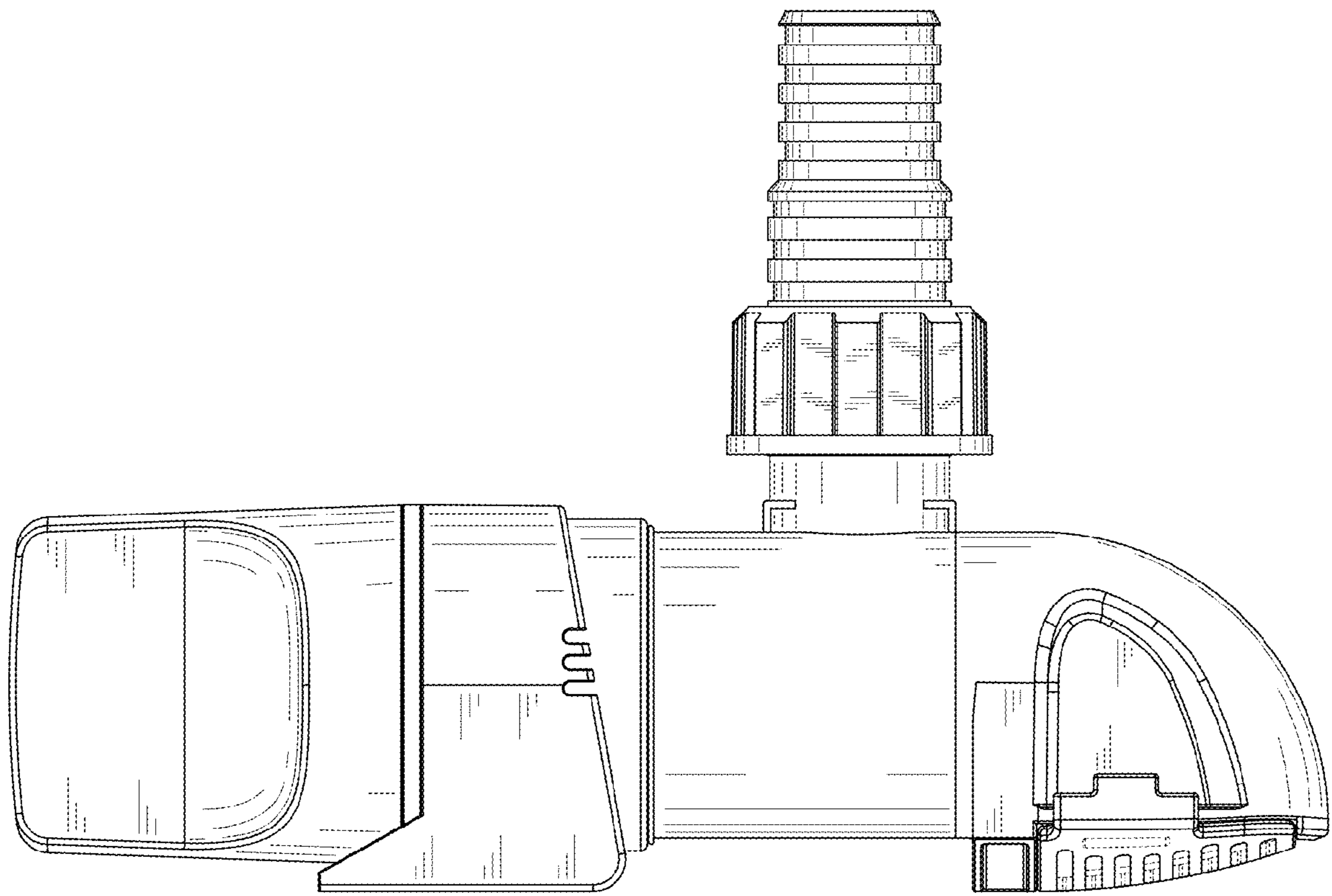


FIG. 3

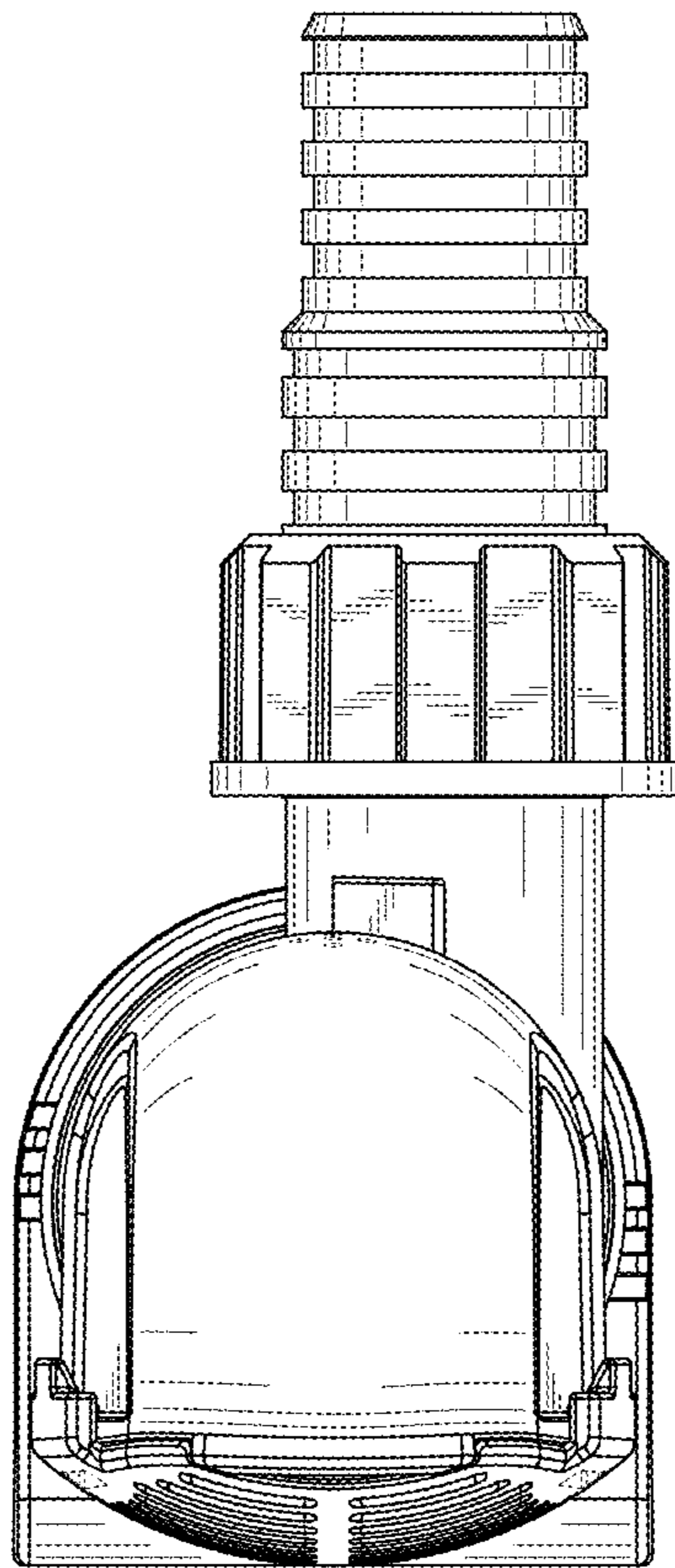


FIG. 4

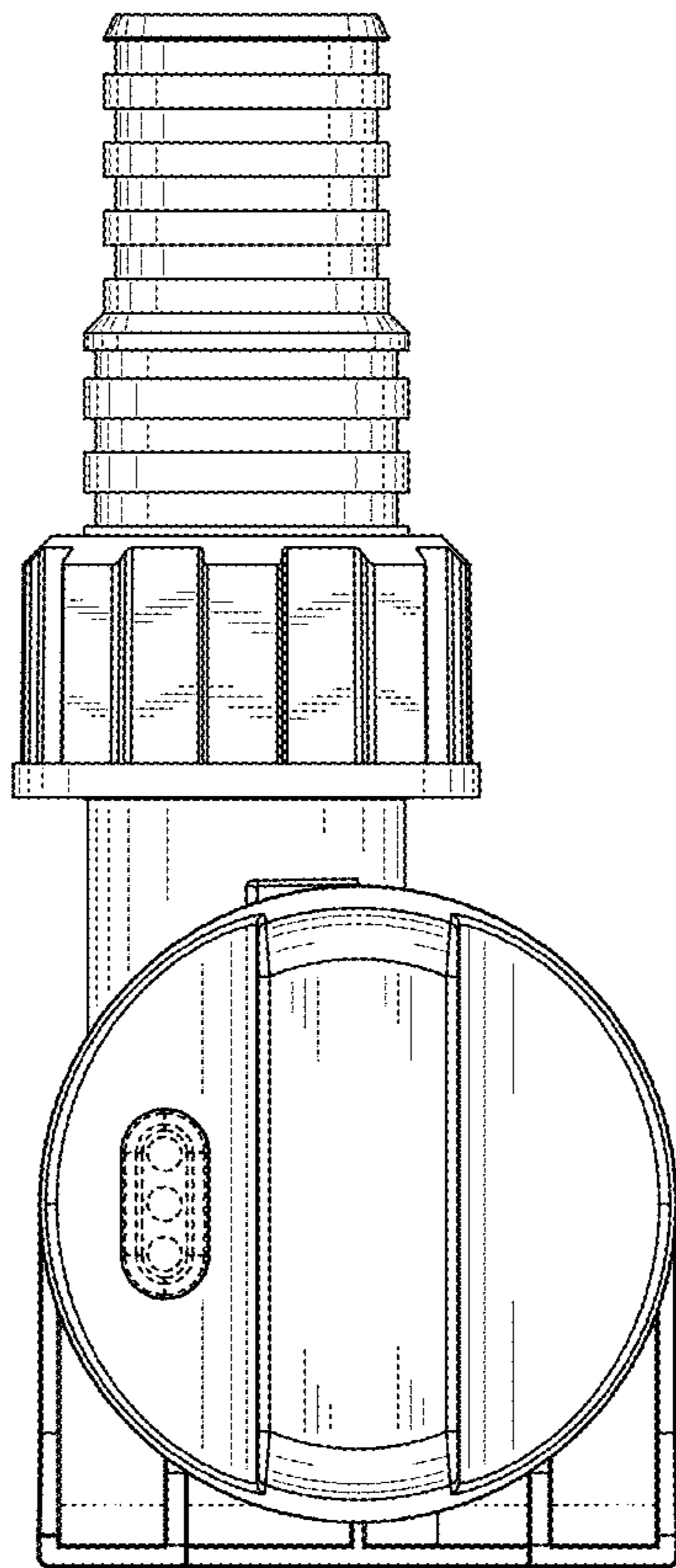


FIG. 5

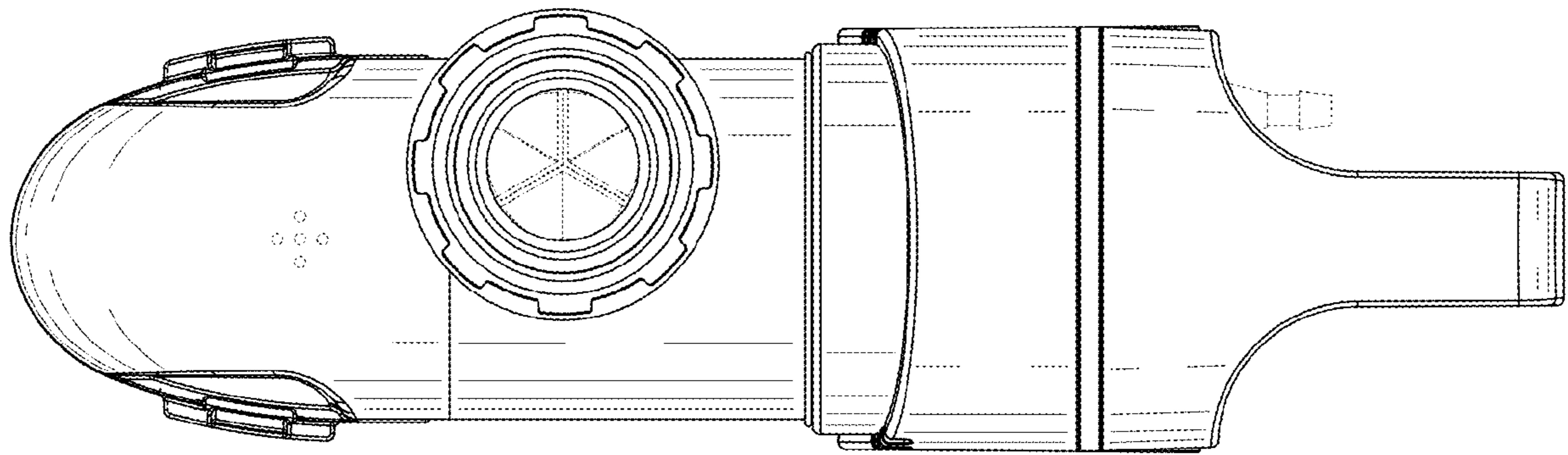


FIG. 6

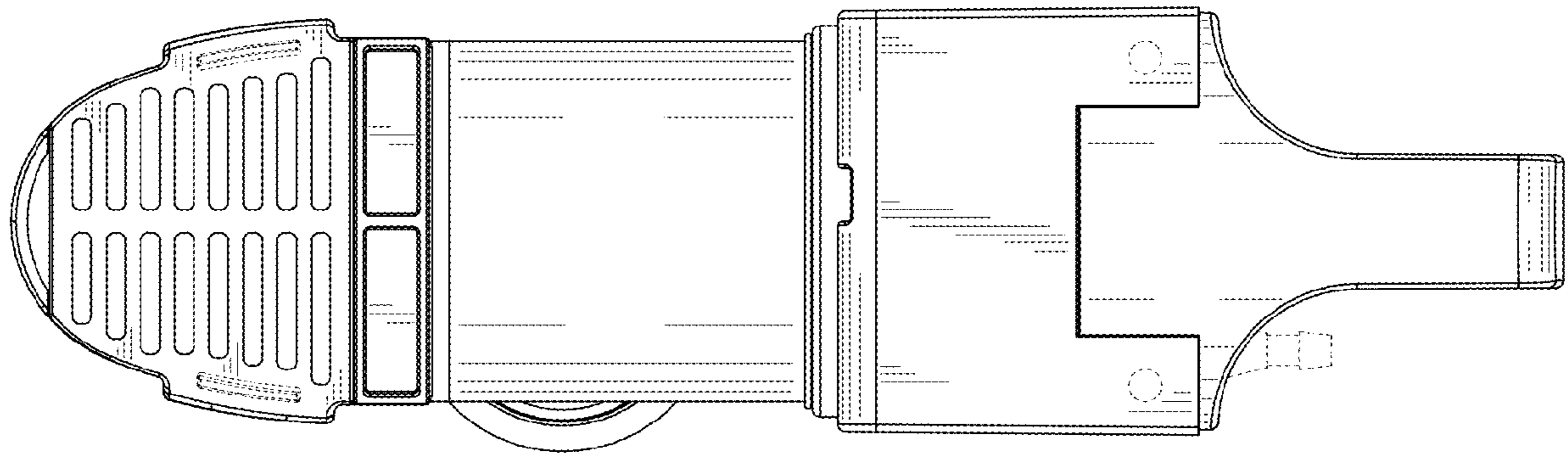


FIG. 7