



US00D934302S

(12) **United States Design Patent**
Ecklund et al.

(10) **Patent No.:** **US D934,302 S**
(45) **Date of Patent:** **** Oct. 26, 2021**

- (54) **HOSE COUPLING**
- (71) Applicant: **Sage Products, LLC**, Cary, IL (US)
- (72) Inventors: **Brian J. Ecklund**, Lakemoor, WI (US);
Jeffrey A. Kennedy, Algonquin, IL (US)
- (73) Assignee: **Sage Products, LLC**, Cary, IL (US)
- (**) Term: **15 Years**
- (21) Appl. No.: **29/727,911**
- (22) Filed: **Mar. 13, 2020**

D317,613 S	6/1991	Channell	
D589,060 S	3/2009	Metcalfe	
D609,249 S	2/2010	Foreman et al.	
D631,066 S	1/2011	Itadani et al.	
8,047,577 B2 *	11/2011	Zeiber	F16L 33/23 285/242
D654,508 S	2/2012	Foreman	
D679,784 S *	4/2013	Meyer	D23/262
D687,528 S *	8/2013	Meyer	D23/262
D689,100 S	9/2013	Wirz Luchsinger	
D693,850 S	11/2013	Haider et al.	
D704,225 S	5/2014	Lee	
D704,226 S	5/2014	Lee	
D705,819 S	5/2014	Seymour et al.	
D707,717 S	6/2014	King	

(Continued)

Primary Examiner — Mitchell I. Siegel
(74) *Attorney, Agent, or Firm* — Foley & Lardner LLP

Related U.S. Application Data

(63) Continuation of application No. 29/664,272, filed on Sep. 24, 2018, now Pat. No. Des. 878,425, which is a continuation of application No. 29/592,971, filed on Feb. 3, 2017, now Pat. No. Des. 831,074.

(51) **LOC (13) Cl.** **15-02**
(52) **U.S. Cl.**
USPC **D15/7**

(58) **Field of Classification Search**
USPC D15/7-9; D23/225, 227, 231, 232,
D23/259-266
CPC F02M 37/04; F02M 37/14; F04B 53/92;
F04B 1/005; F04D 13/06; F04D 29/22;
F04D 29/046; F04D 29/2266; B67D 7/44;
A62C 33/00-06; F16L 33/224; F16L
33/26; F16L 25/023; F16L 37/252; F16L
37/0925; H01R 2103/00; H01R 13/622;
B25B 13/065; D04B 35/06

See application file for complete search history.

(56) **References Cited**

U.S. PATENT DOCUMENTS

D237,835 S 11/1975 Bevan et al.
D262,538 S 1/1982 Erikson

(57) **CLAIM**

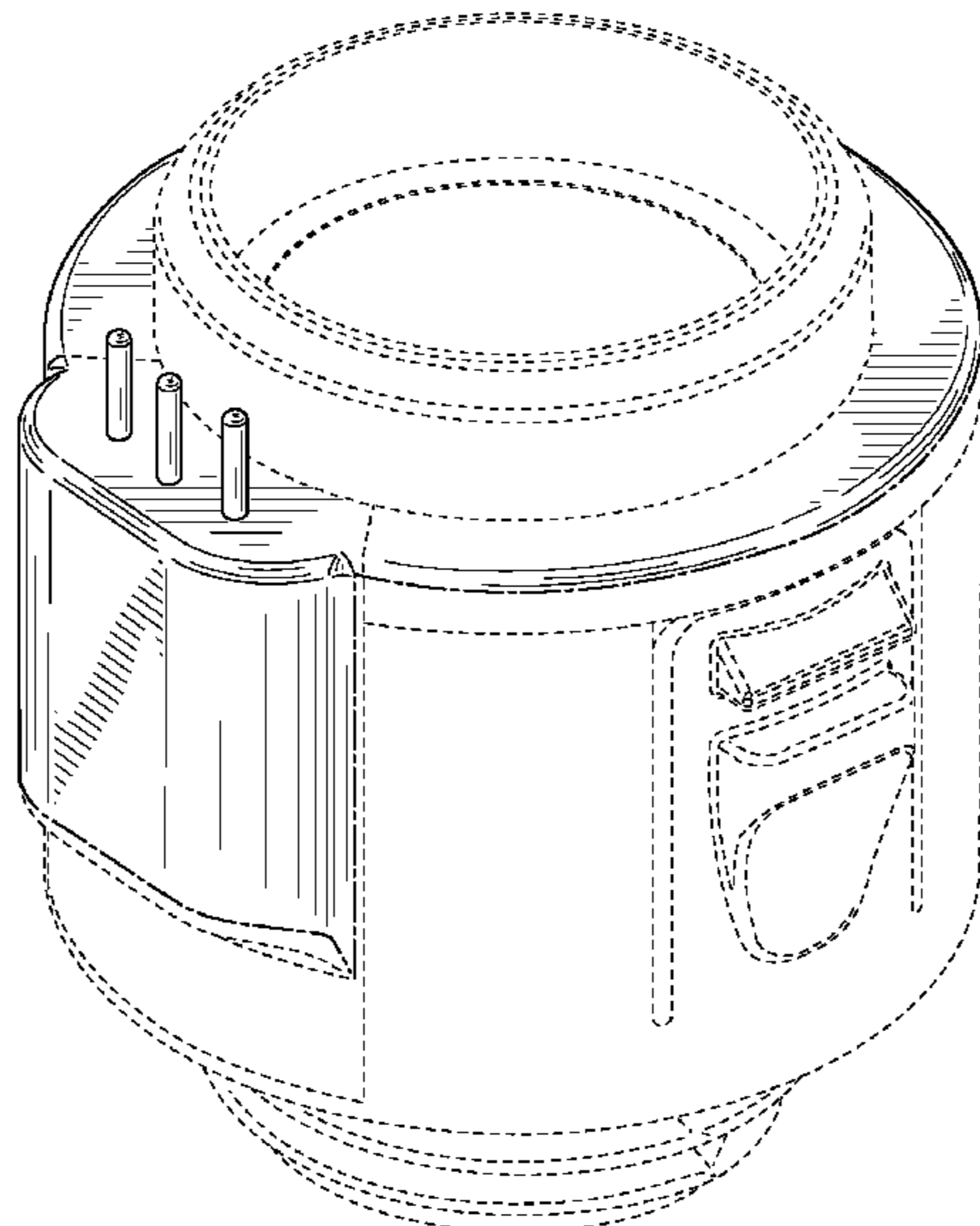
We claim the ornamental design for a hose coupling, as shown and described.

DESCRIPTION

FIG. 1 is a top, front, right perspective view of an embodiment of the claimed design;
FIG. 2 is a bottom, front, left perspective view thereof;
FIG. 3 is a right side elevation view thereof;
FIG. 4 is a left side elevation view thereof;
FIG. 5 is a front elevation view thereof;
FIG. 6 is a rear elevation view thereof;
FIG. 7 is a top plan view thereof; and,
FIG. 8 is a bottom plan view thereof.

The ornamental design which is claimed is shown in solid lines in the drawings. The broken lines in the drawings are for illustrative purposes only and form no part of the claimed design. Broken lines formed by equal length dashes show unclaimed subject matter. Broken lines formed by unequal length dashes (i.e., dash-dot) define bounds of the claimed design.

1 Claim, 8 Drawing Sheets



(56)

References Cited

U.S. PATENT DOCUMENTS

D736,833	S	8/2015	Lee	
9,103,474	B2 *	8/2015	Richardson	B23P 13/00
D764,551	S	8/2016	Fowler et al.	
D802,024	S	11/2017	Aoki	
D803,894	S	11/2017	Kennedy et al.	
D831,074	S *	10/2018	Ecklund	D15/7
D878,425	S *	3/2020	Ecklund	D15/7

* cited by examiner

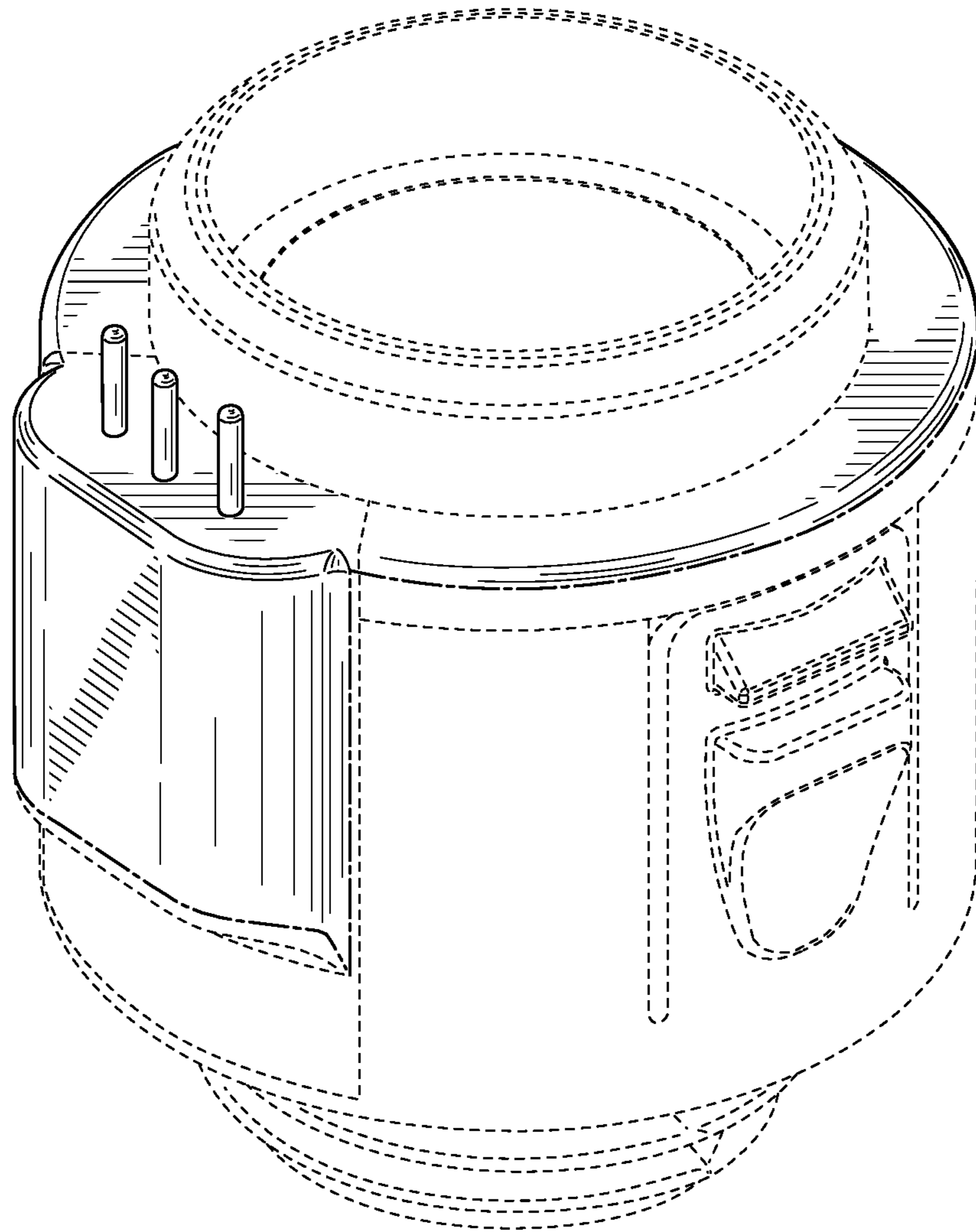


FIG. 1

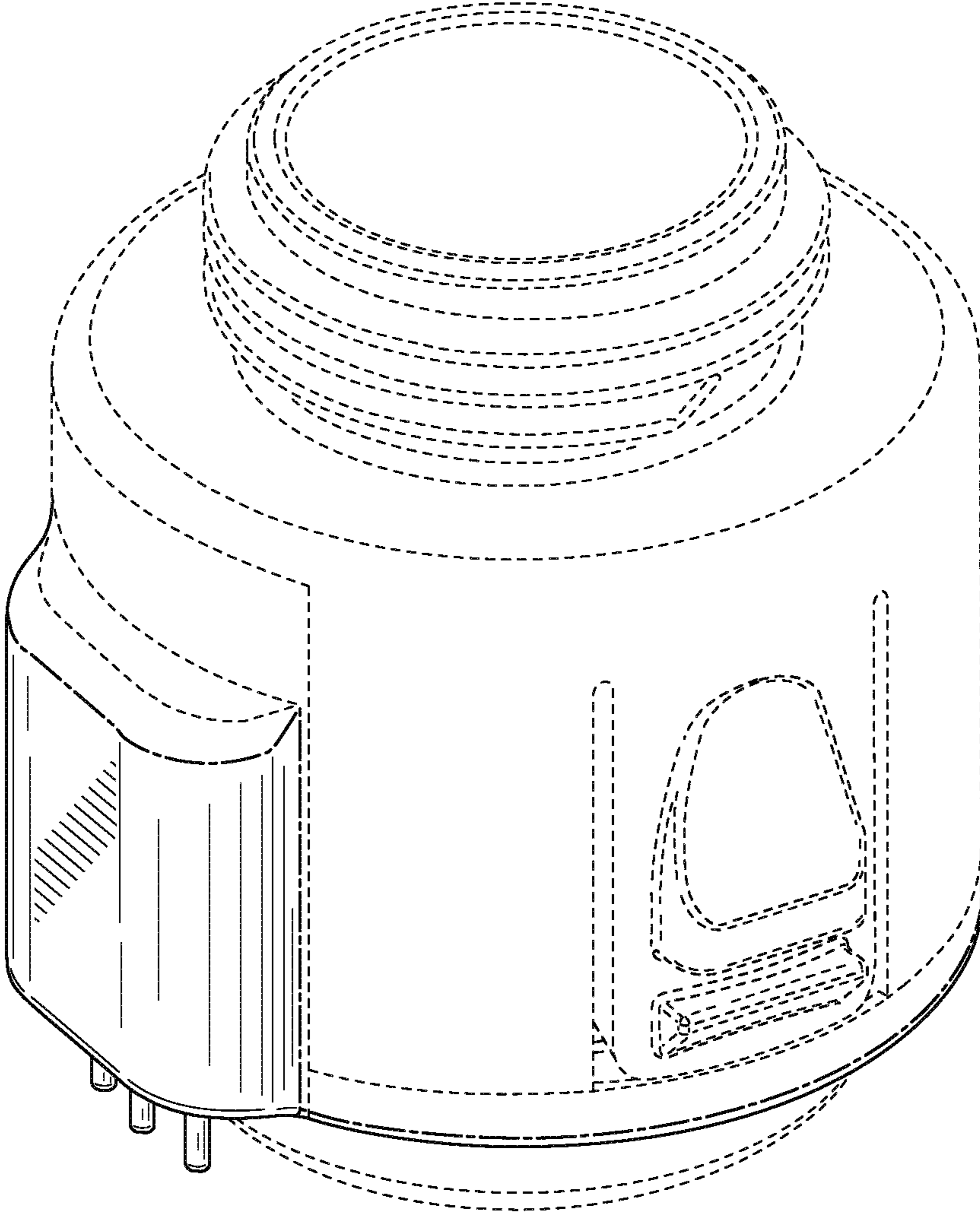


FIG. 2

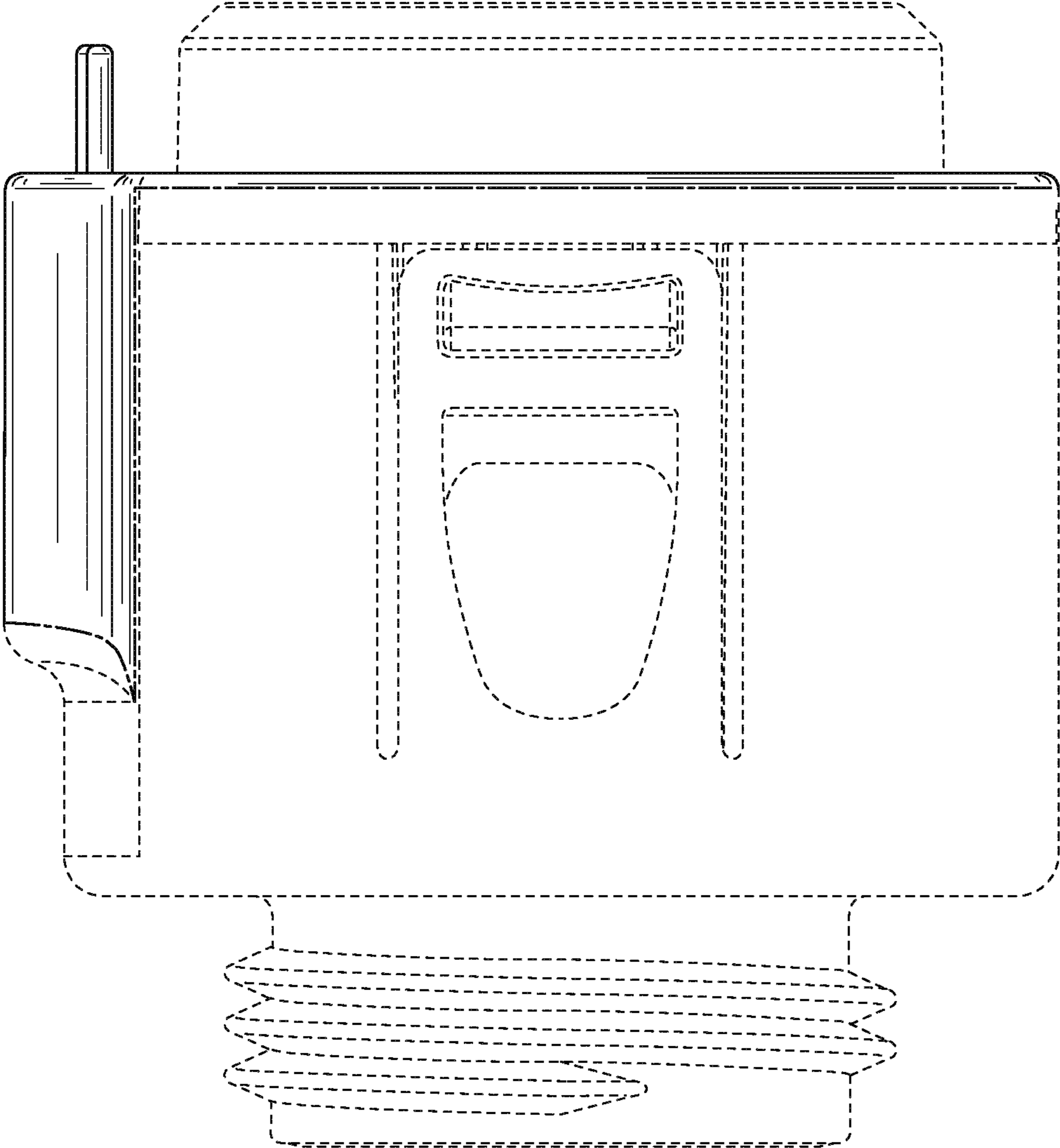


FIG. 3

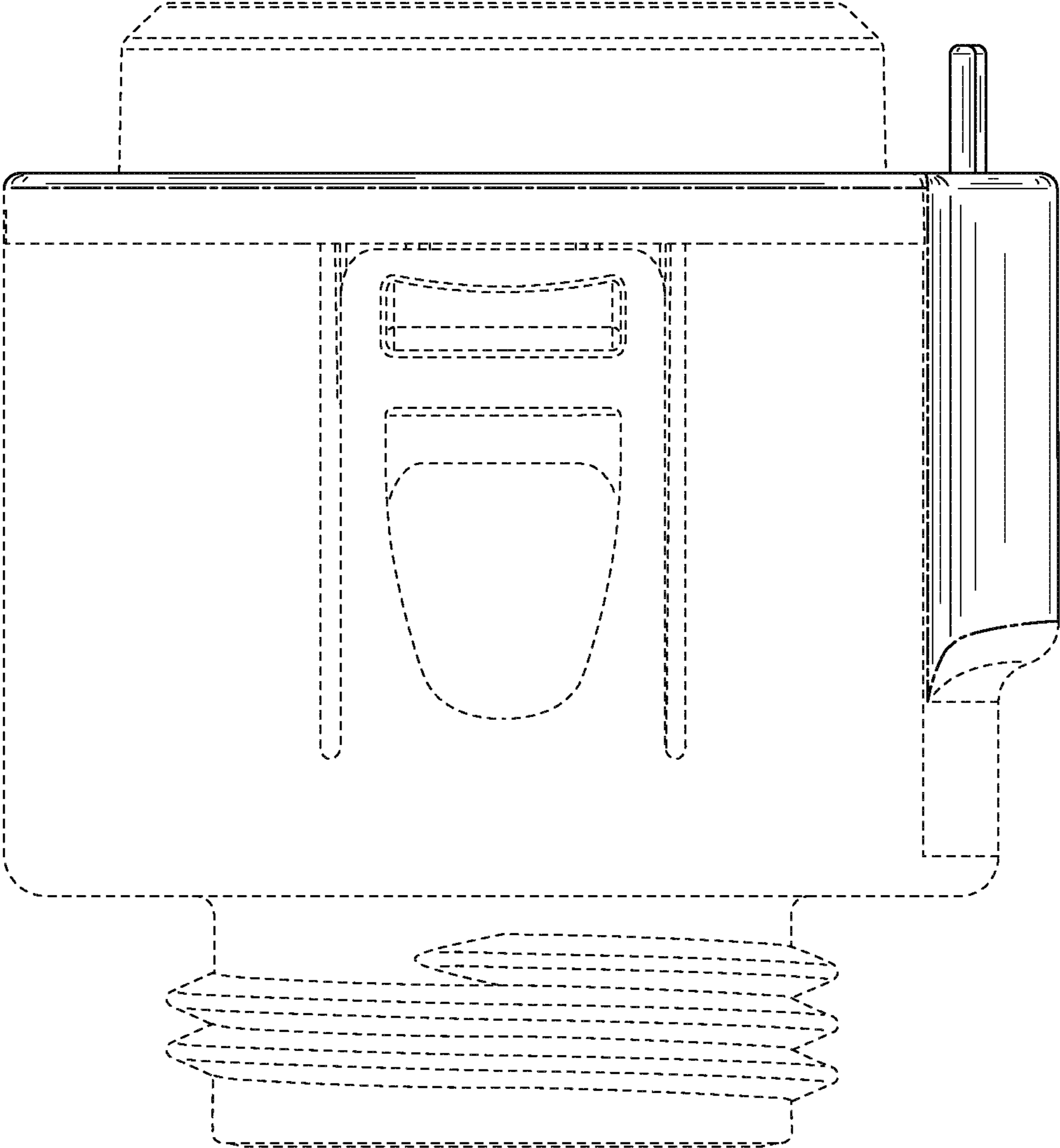


FIG. 4

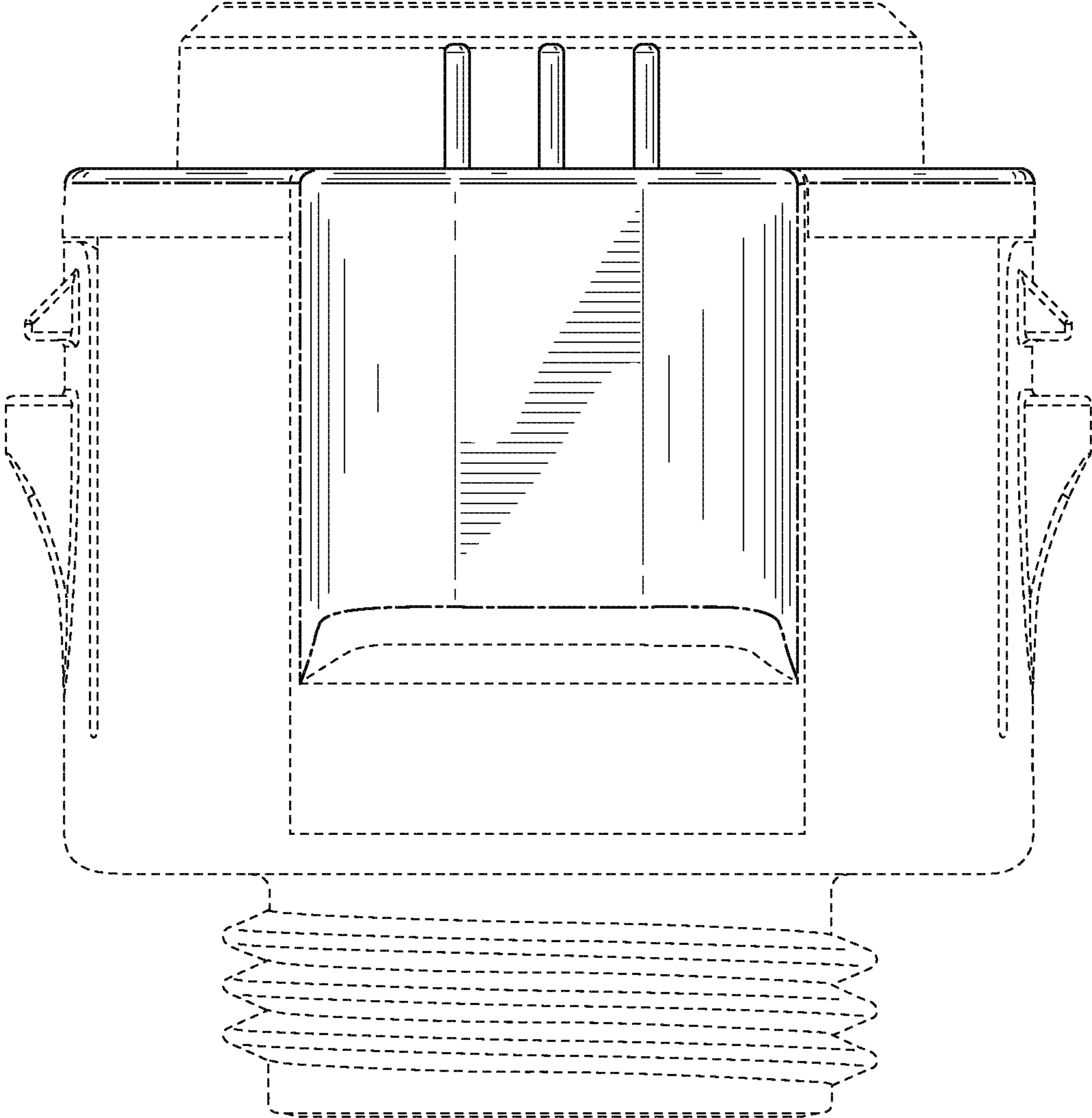


FIG. 5

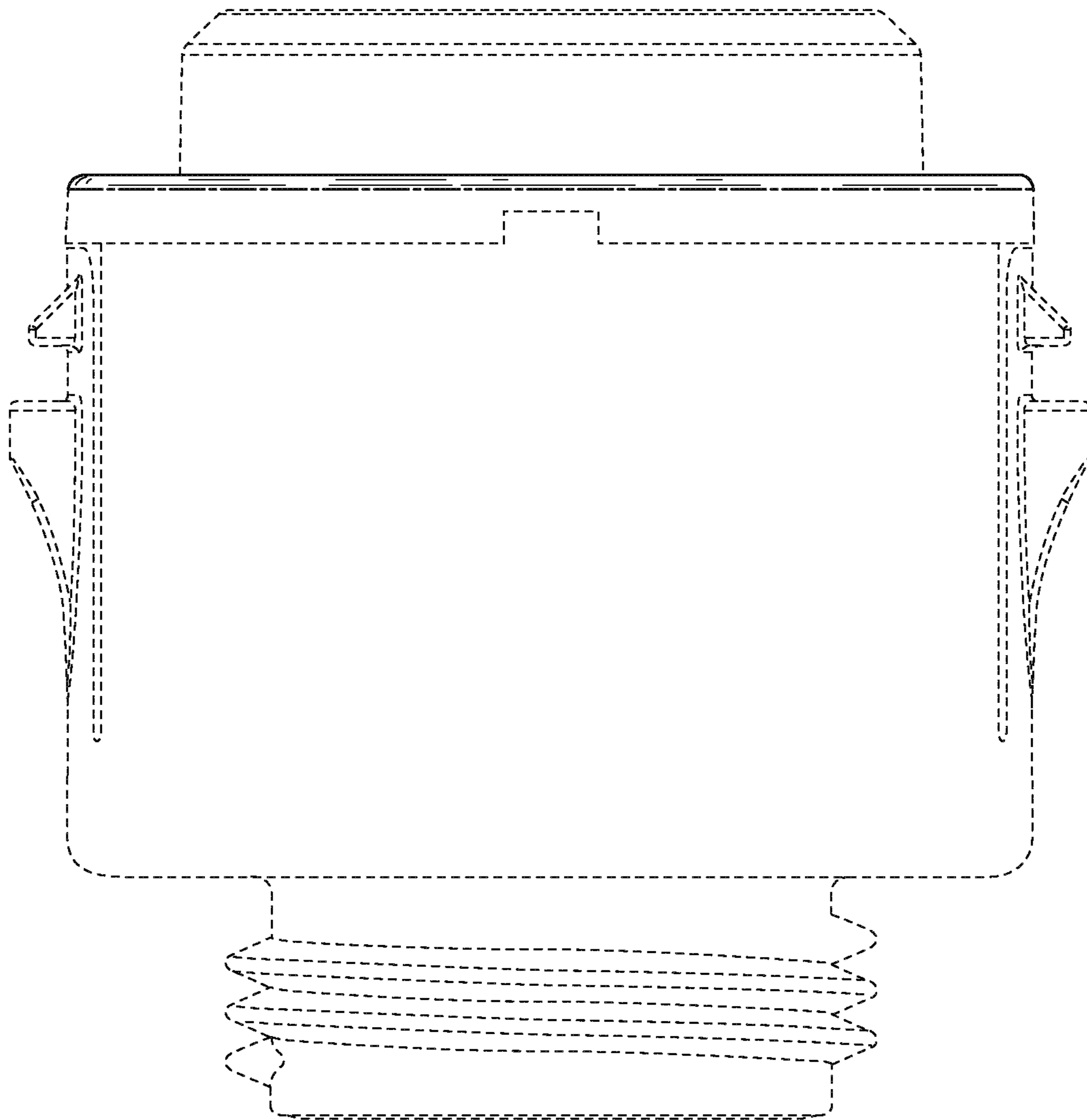


FIG. 6

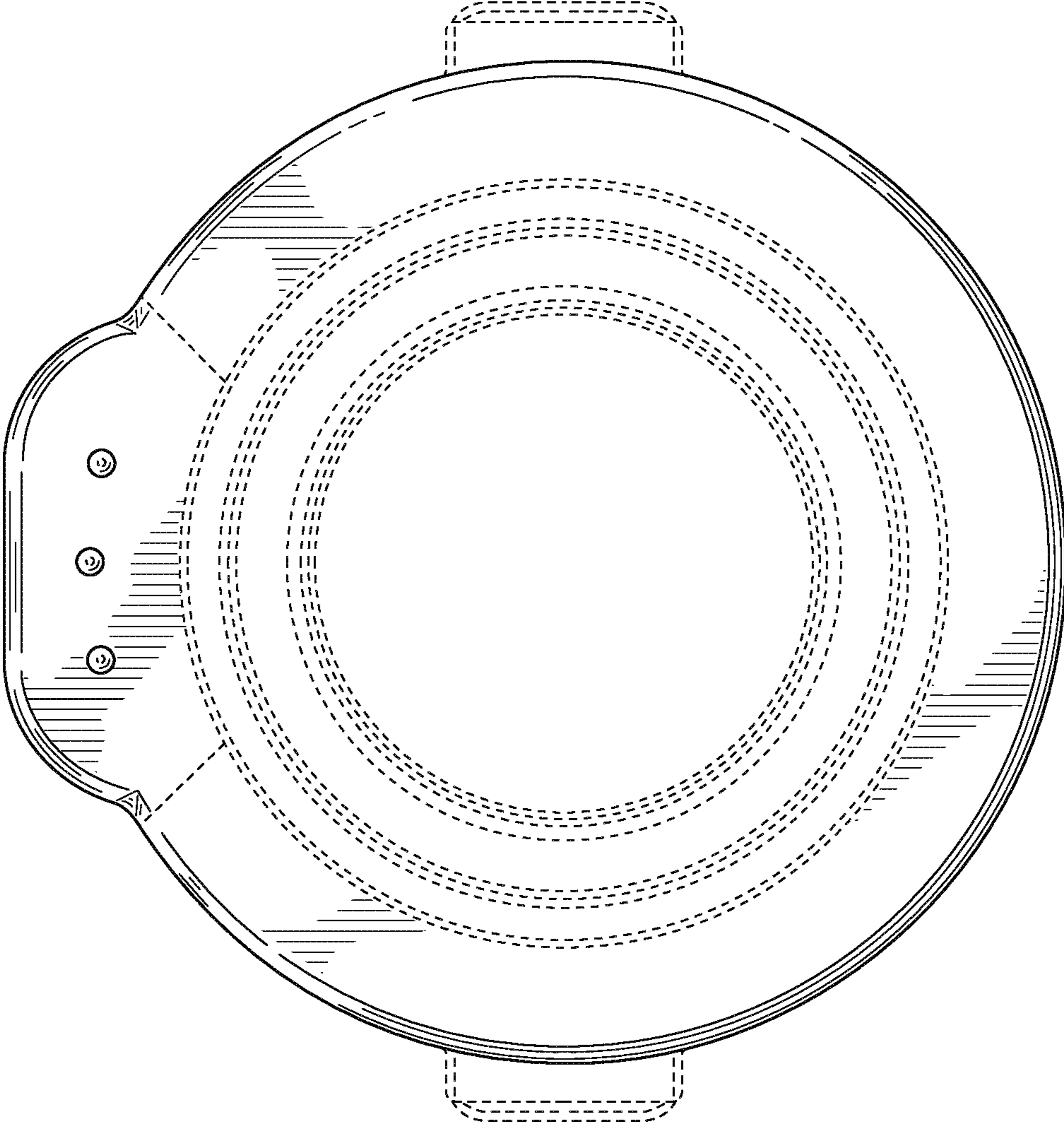


FIG. 7

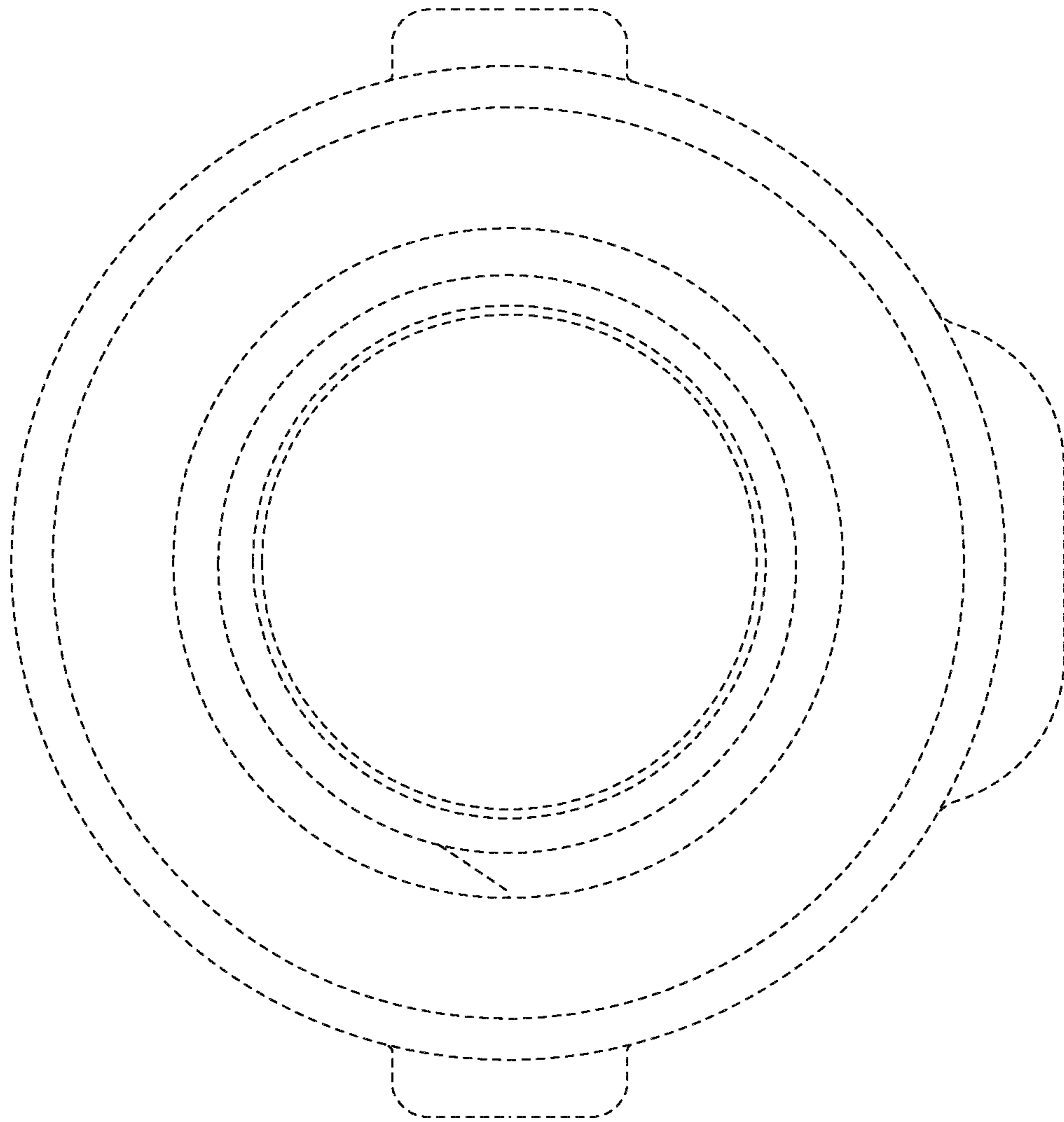


FIG. 8