



US00D934301S

(12) **United States Design Patent** (10) **Patent No.:** **US D934,301 S**  
**Larsen et al.** (45) **Date of Patent:** **\*\* Oct. 26, 2021**

(54) **PUMP UNIT**  
(71) Applicant: **Graco Minnesota Inc.**, Minneapolis, MN (US)  
(72) Inventors: **David M. Larsen**, Albertville, MN (US); **Max Carideo**, Plymouth, MN (US)  
(73) Assignee: **Graco Minnesota Inc.**, Minneapolis, MN (US)  
(\*\*) Term: **15 Years**  
(21) Appl. No.: **29/682,869**  
(22) Filed: **Mar. 8, 2019**  
(51) **LOC (13) Cl.** ..... **15-02**  
(52) **U.S. Cl.**  
USPC ..... **D15/7**  
(58) **Field of Classification Search**  
USPC ..... D23/210, 225, 231, 232; D15/7-9; D34/14, 17, 20, 23, 26; D13/103, 107  
CPC ..... F04B 41/00; F04B 41/02; F04B 41/04; F04B 41/06; F04B 35/00; F04B 35/06; F04B 35/002; F04B 35/86; F04B 49/00; F04B 17/03; F04B 17/06; F04B 33/005; F04B 33/00; F04B 33/02; F04B 25/005  
See application file for complete search history.

D490,200 S \* 5/2004 Arceta ..... D34/17  
6,752,067 B1 6/2004 Davidson et al.  
D570,069 S 5/2008 Leonard  
D572,795 S 7/2008 Kieffer  
D576,703 S 9/2008 Nathan et al.  
D580,516 S 11/2008 Mattson et al.  
D580,517 S 11/2008 Mattson et al.  
D580,518 S 11/2008 Johnson et al.  
D608,414 S 1/2010 Legatt et al.  
D616,064 S 5/2010 Mattson et al.  
D616,065 S 5/2010 Gundersen et al.  
D622,471 S \* 8/2010 Hernandez ..... D34/12  
D652,190 S \* 1/2012 Slaton ..... D34/17  
D657,393 S \* 4/2012 Pauwels ..... D15/9  
8,303,262 B1 \* 11/2012 Hawkins ..... F04B 17/06  
417/234  
8,651,397 B2 2/2014 Gaddis et al.  
9,291,363 B1 \* 3/2016 Cassell ..... F24H 3/0488  
D769,414 S 10/2016 Roden et al.  
D771,714 S \* 11/2016 Hines ..... D15/7  
D787,770 S \* 5/2017 Thuma ..... D34/17  
9,695,557 B2 \* 7/2017 Lins ..... E01C 23/22

(Continued)

*Primary Examiner* — Calvin E Vansant  
*Assistant Examiner* — Mark T. Philipps  
(74) *Attorney, Agent, or Firm* — Kinney & Lange, P.A.

(57) **CLAIM**

The ornamental design for a pump unit, as shown and described.

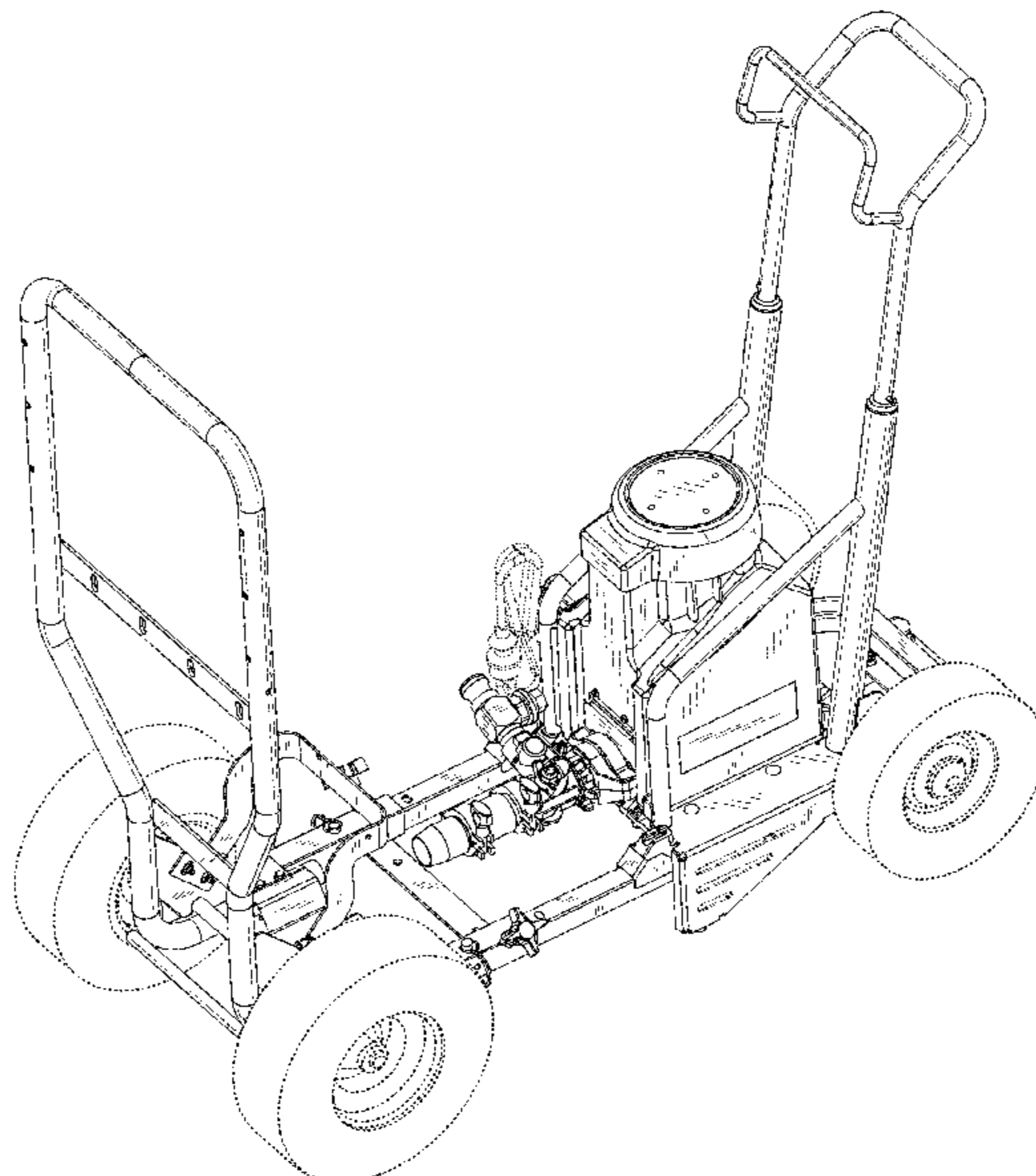
**DESCRIPTION**

FIG. 1 is a perspective view of a pump unit;  
FIG. 2 is a right side view of the pump unit;  
FIG. 3 is a left side view of the pump unit;  
FIG. 4 is a top plan view of the pump unit;  
FIG. 5 is a front elevational view of the pump unit; and,  
FIG. 6 is a rear elevational view of the pump unit.  
The broken lines in the Figures are for environmental purposes only and form no part of the claimed design.

**1 Claim, 6 Drawing Sheets**

(56) **References Cited**  
U.S. PATENT DOCUMENTS

D284,210 S 6/1986 Rattray et al.  
5,213,480 A 5/1993 Yedinak et al.  
5,217,238 A 6/1993 Cyphers et al.  
D340,335 S \* 10/1993 Kean ..... D34/17  
D344,832 S 3/1994 Cyphers et al.  
D420,473 S 2/2000 Shero  
D424,771 S \* 5/2000 Sivells ..... D34/14  
D427,283 S 6/2000 Bower et al.  
D429,314 S 8/2000 Bower et al.



(56)

**References Cited**

U.S. PATENT DOCUMENTS

D794,162	S	8/2017	Johnston et al.	
D794,754	S	8/2017	Johnston et al.	
9,764,343	B2 *	9/2017	Schroeder .....	B05B 1/3026
D849,190	S	5/2019	Boucher et al.	
D850,581	S	6/2019	Mazur	
D851,211	S	6/2019	Pellin et al.	
10,358,781	B2 *	7/2019	Kuczenski .....	B60B 33/02
D876,485	S *	2/2020	Pauly .....	D15/9
10,634,132	B2	4/2020	Carideo et al.	
D904,566	S *	12/2020	Larsen .....	D23/225
2005/0196290	A1 *	9/2005	Hu .....	F04B 35/06 417/234
2006/0038034	A1 *	2/2006	Hillary .....	B05B 9/0855 239/146
2009/0226333	A1 *	9/2009	Hsiao .....	F04B 35/06 417/234
2010/0006668	A1 *	1/2010	Alexander .....	B08B 3/026 239/129
2021/0078049	A1 *	3/2021	Nushart .....	B08B 3/08

\* cited by examiner

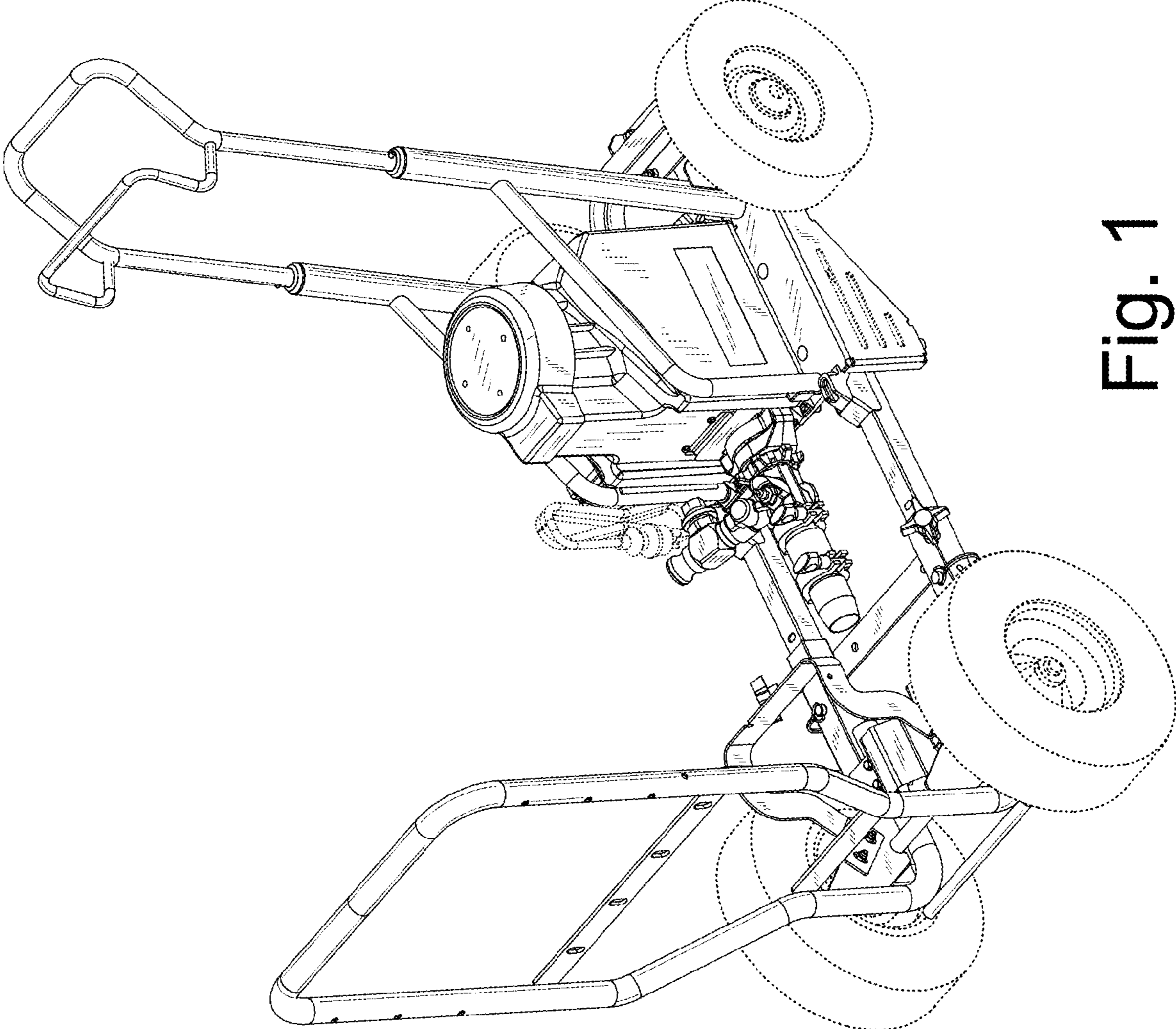


Fig. 1

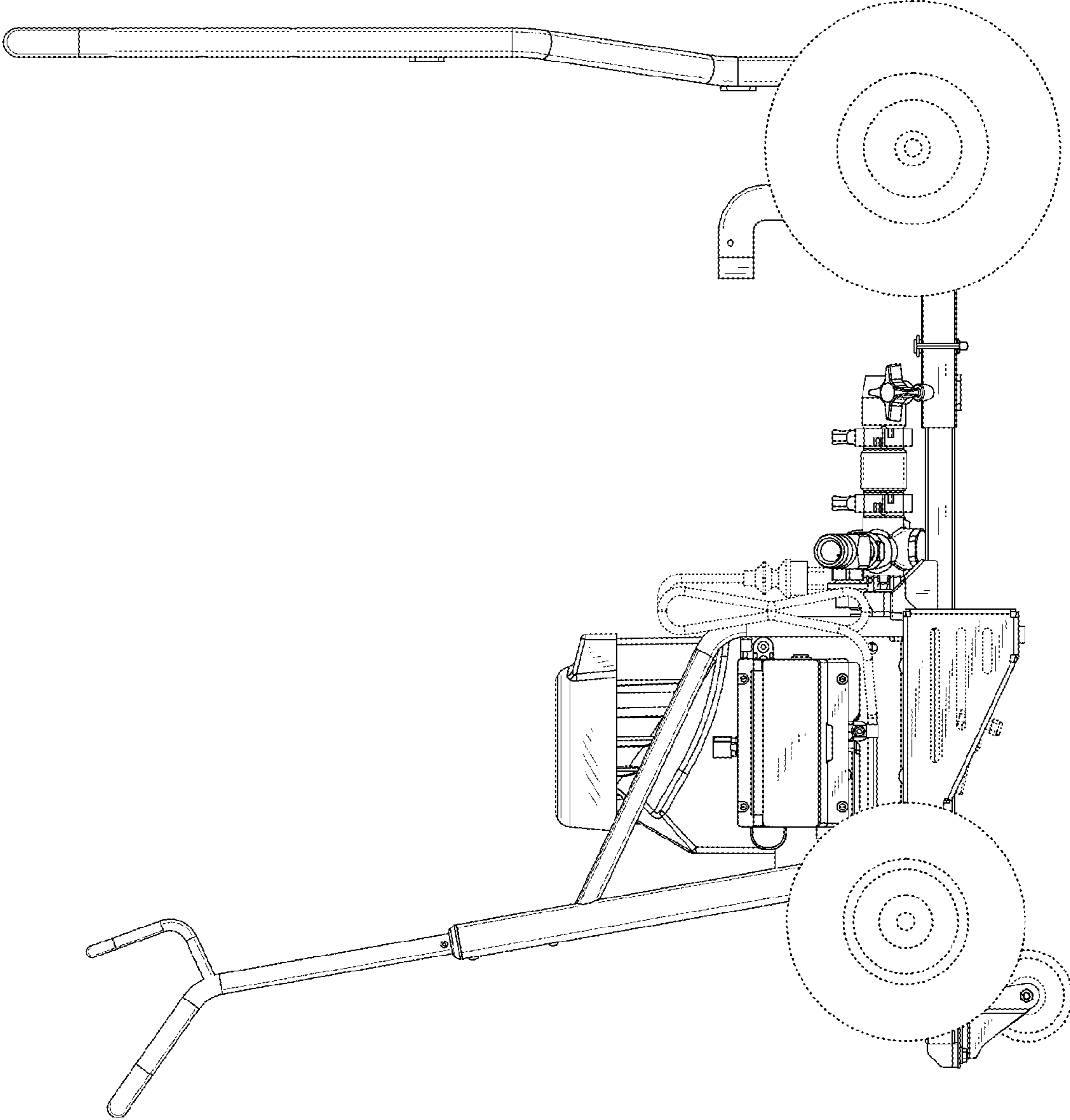


Fig. 2

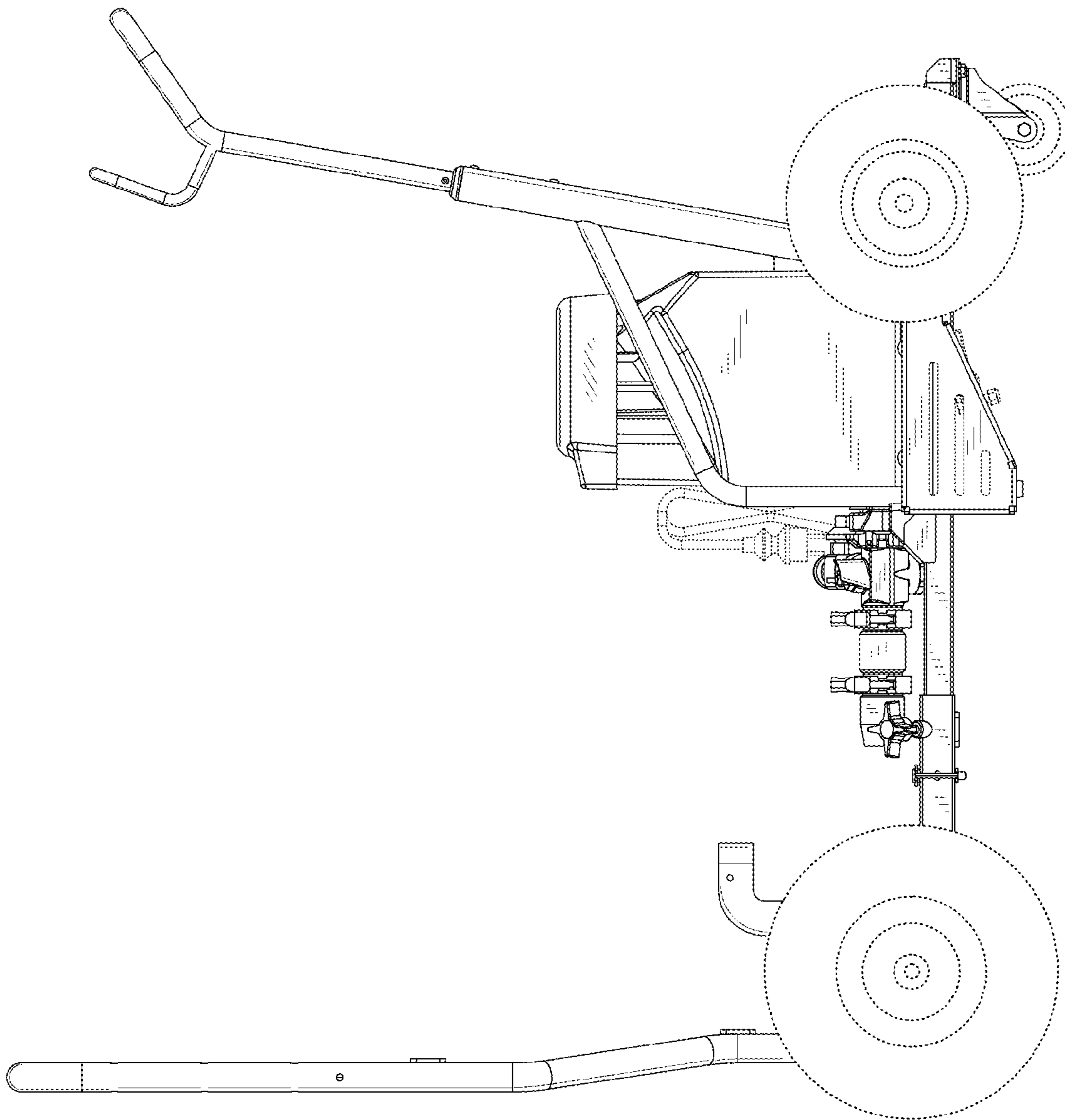


Fig. 3

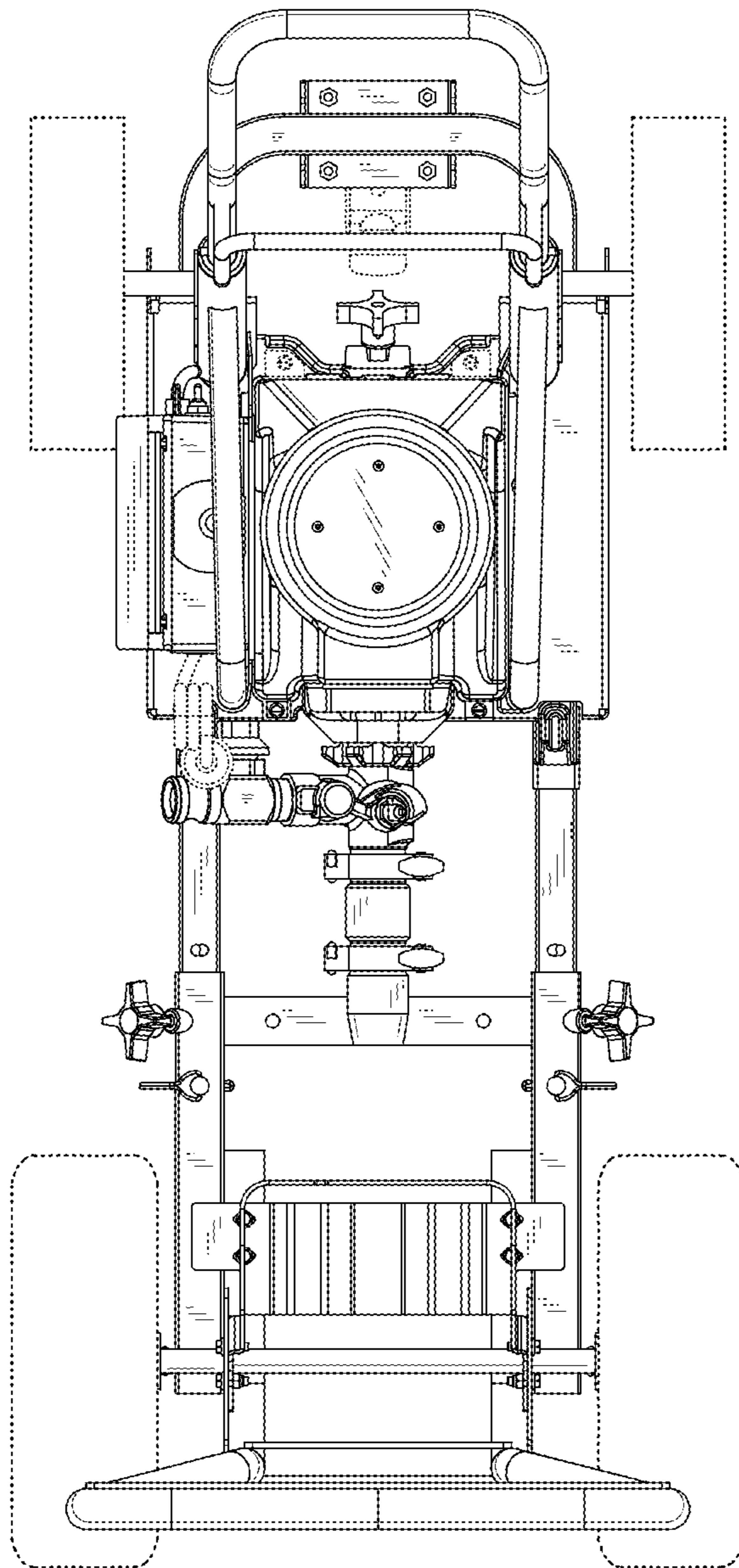


Fig. 4

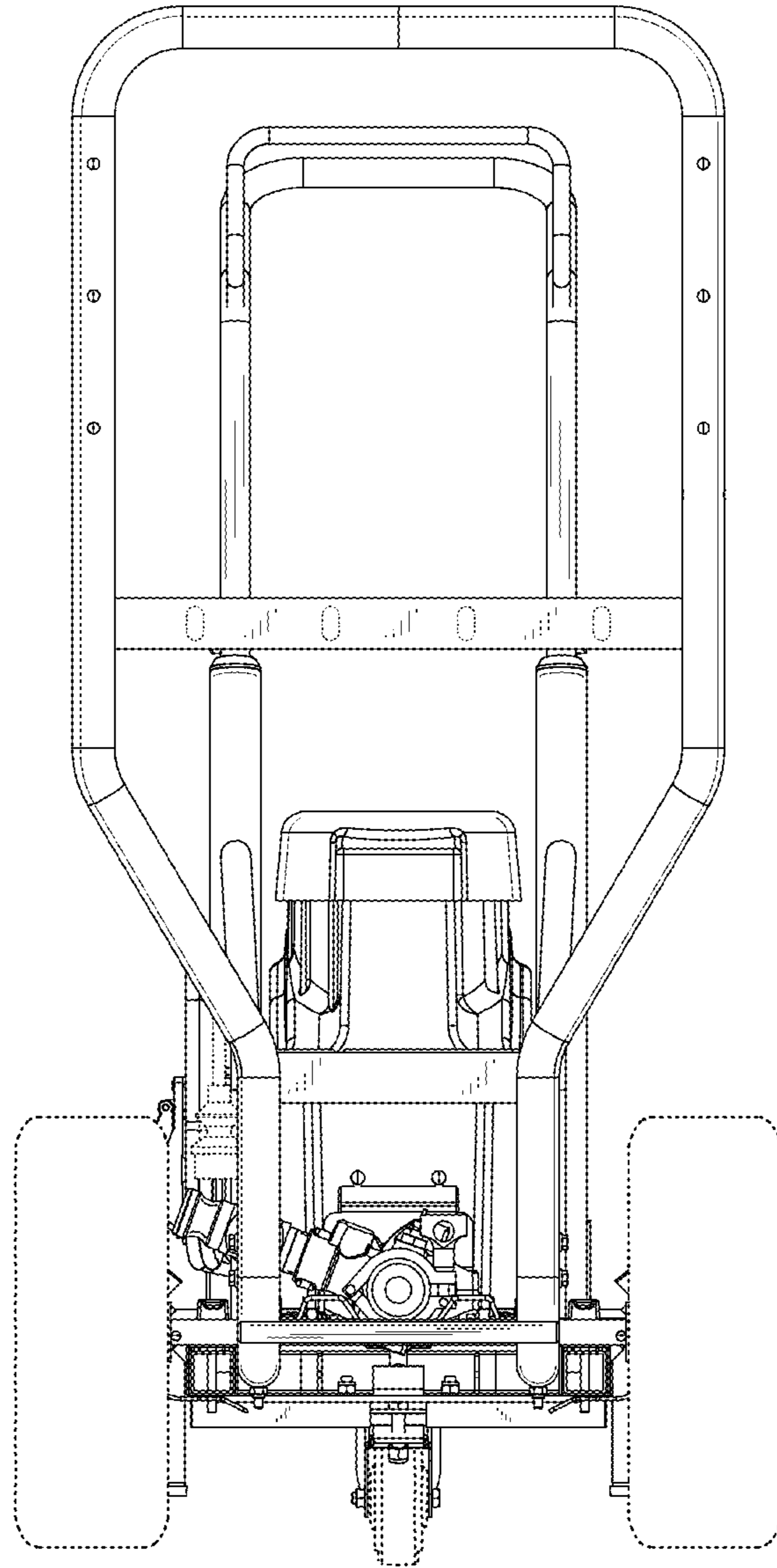


Fig. 5

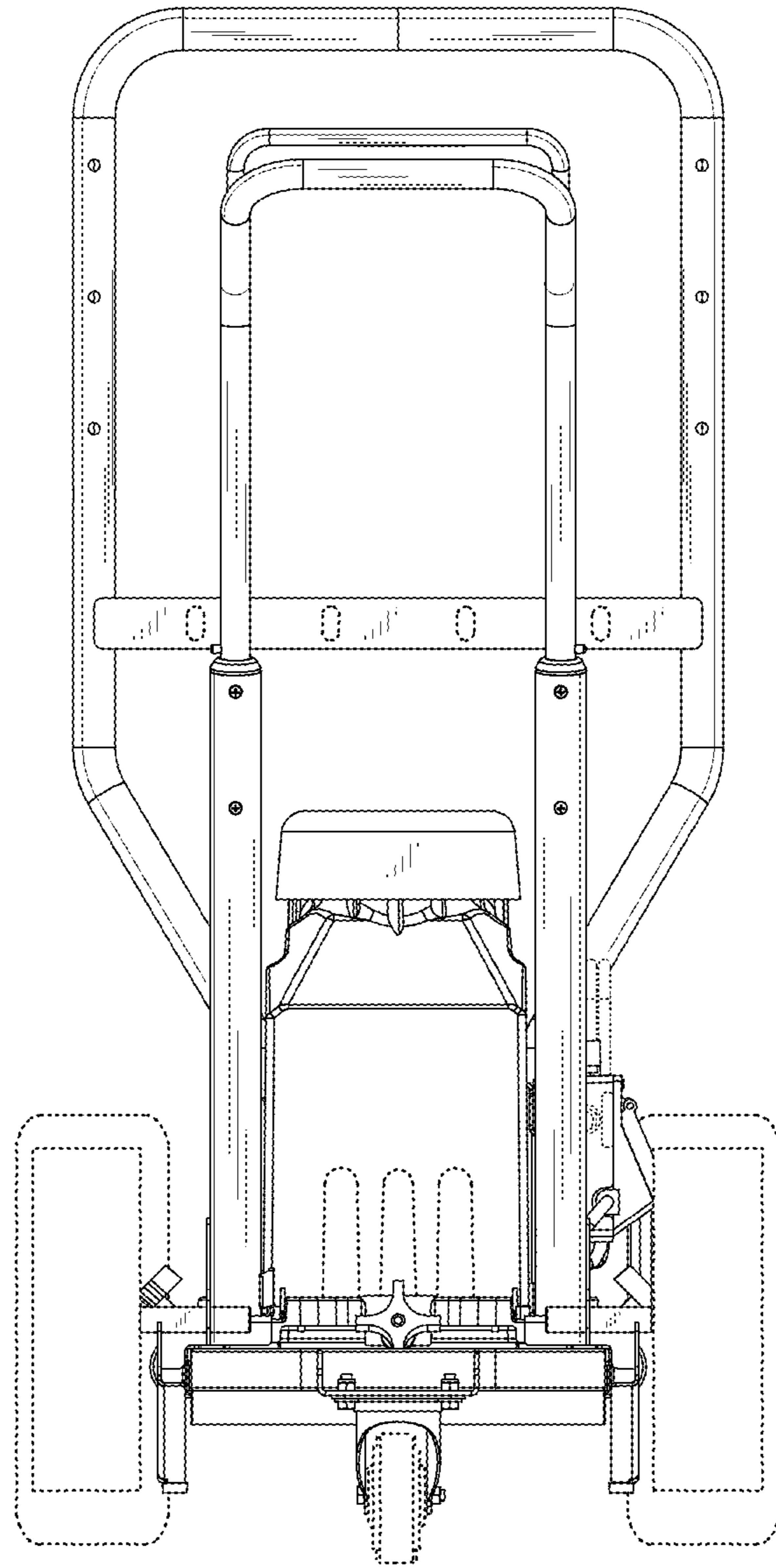


Fig. 6