



US00D934300S

(12) **United States Design Patent**
Webb

(10) **Patent No.:** **US D934,300 S**

(45) **Date of Patent:** **** Oct. 26, 2021**

(54) **VEHICLE FLUID LINE CONNECTOR BASE**

(71) Applicant: **Norma U.S. Holding LLC**, Auburn Hills, MI (US)

(72) Inventor: **Mark Richard Webb**, Clarkston, MI (US)

(73) Assignee: **Norma U.S. Holding LLC**, Auburn Hills, MI (US)

(**) Term: **15 Years**

(21) Appl. No.: **29/731,295**

(22) Filed: **Apr. 14, 2020**

(51) **LOC (13) Cl.** **15-01**

(52) **U.S. Cl.**
USPC **D15/5**

(58) **Field of Classification Search**
USPC D15/81, 2, 3, 4, 5, 6, 7; D23/206, 221, D23/249, 259, 303; D13/155; D8/349, D8/353, 354, 356, 382, 396
CPC F16L 37/0841; F16L 37/00; A61M 2039/1027; A61M 39/1011
See application file for complete search history.

(56) **References Cited**

U.S. PATENT DOCUMENTS

2,508,945 A * 5/1950 Heuer B65D 71/50
211/75
D294,457 S * 3/1988 Doty D8/373
H2203 H * 10/2007 Borchardt D8/396
D563,770 S * 3/2008 Payne, Jr. D8/354

D909,415 S * 2/2021 Keatley D15/5
D921,700 S * 6/2021 Keatley D15/5
2013/0267892 A1* 10/2013 Woolford A61M 3/0216
604/34
2017/0113031 A1* 4/2017 Ueda A61M 39/223

* cited by examiner

Primary Examiner — Ania Aman

(74) *Attorney, Agent, or Firm* — Reising Ethington, P.C.

(57) **CLAIM**

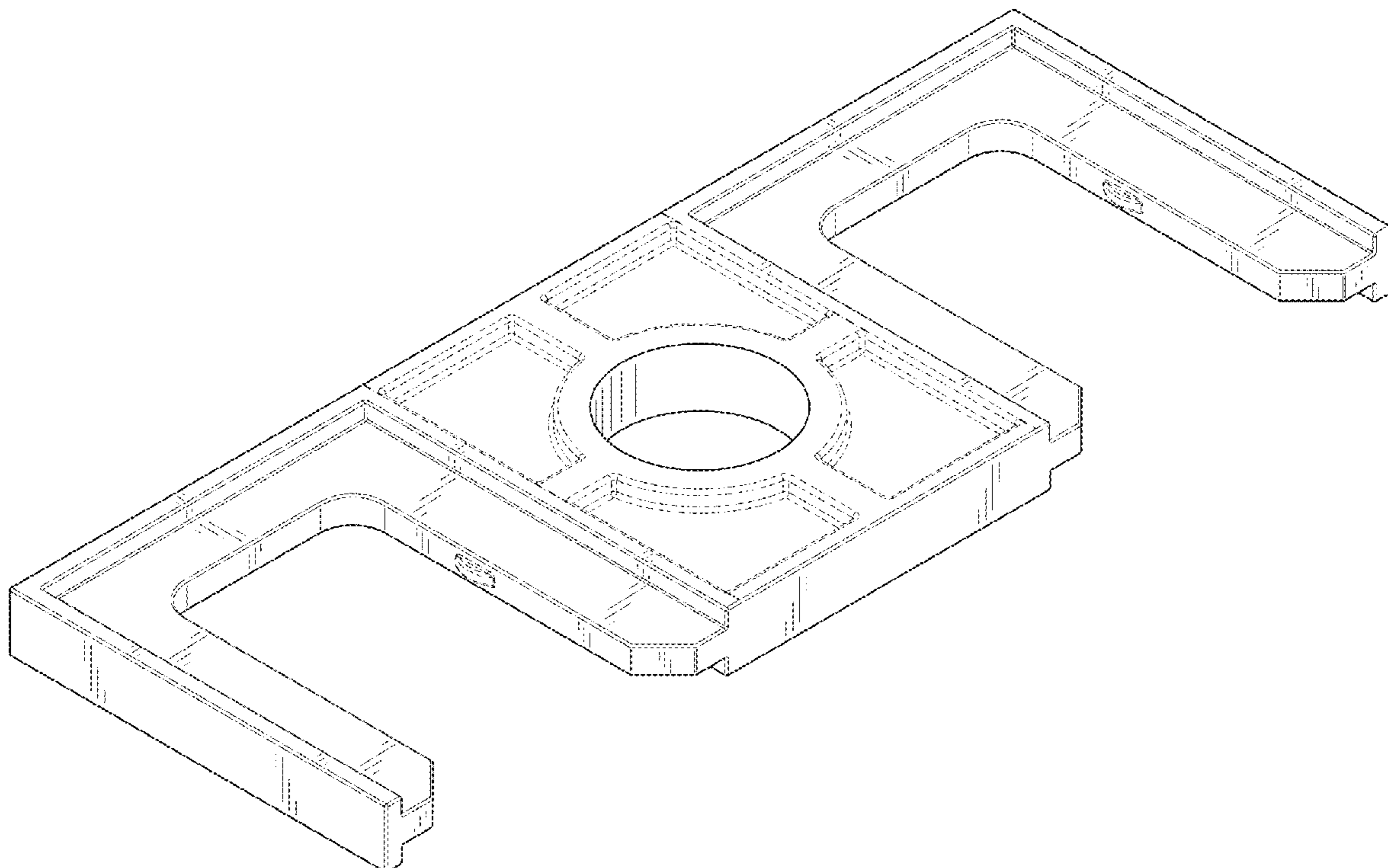
The ornamental design for a vehicle fluid line connector base, as shown and described.

DESCRIPTION

FIG. 1 is a perspective view of the vehicle fluid line connector base, the view depicting an example installation in which the article can be employed;
FIG. 2 is a perspective view of the vehicle fluid line connector base shown in isolation;
FIG. 3 is a top view thereof;
FIG. 4 is a bottom view thereof;
FIG. 5 is a front view thereof;
FIG. 6 is a rear view thereof;
FIG. 7 is a rightside view thereof; and,
FIG. 8 is a leftside view thereof.

The dash-dash broken lines in the drawings illustrate portions of the vehicle fluid line connector base that form no part of the claimed design. The dash-dot broken lines in the drawings illustrate a partial boundary between claimed and unclaimed portions on top and bottom surfaces of the vehicle fluid line connector base.

1 Claim, 4 Drawing Sheets



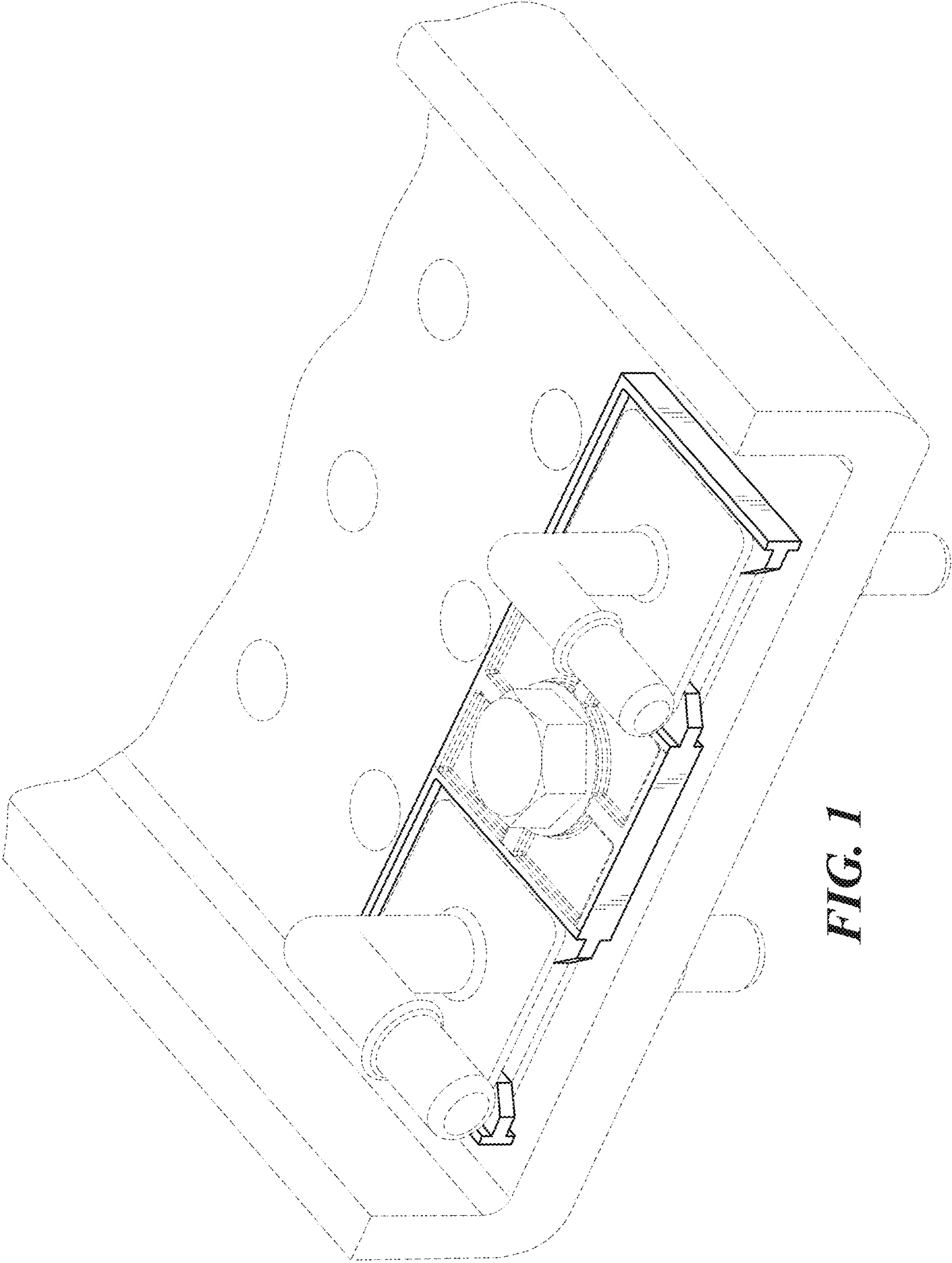


FIG. 1

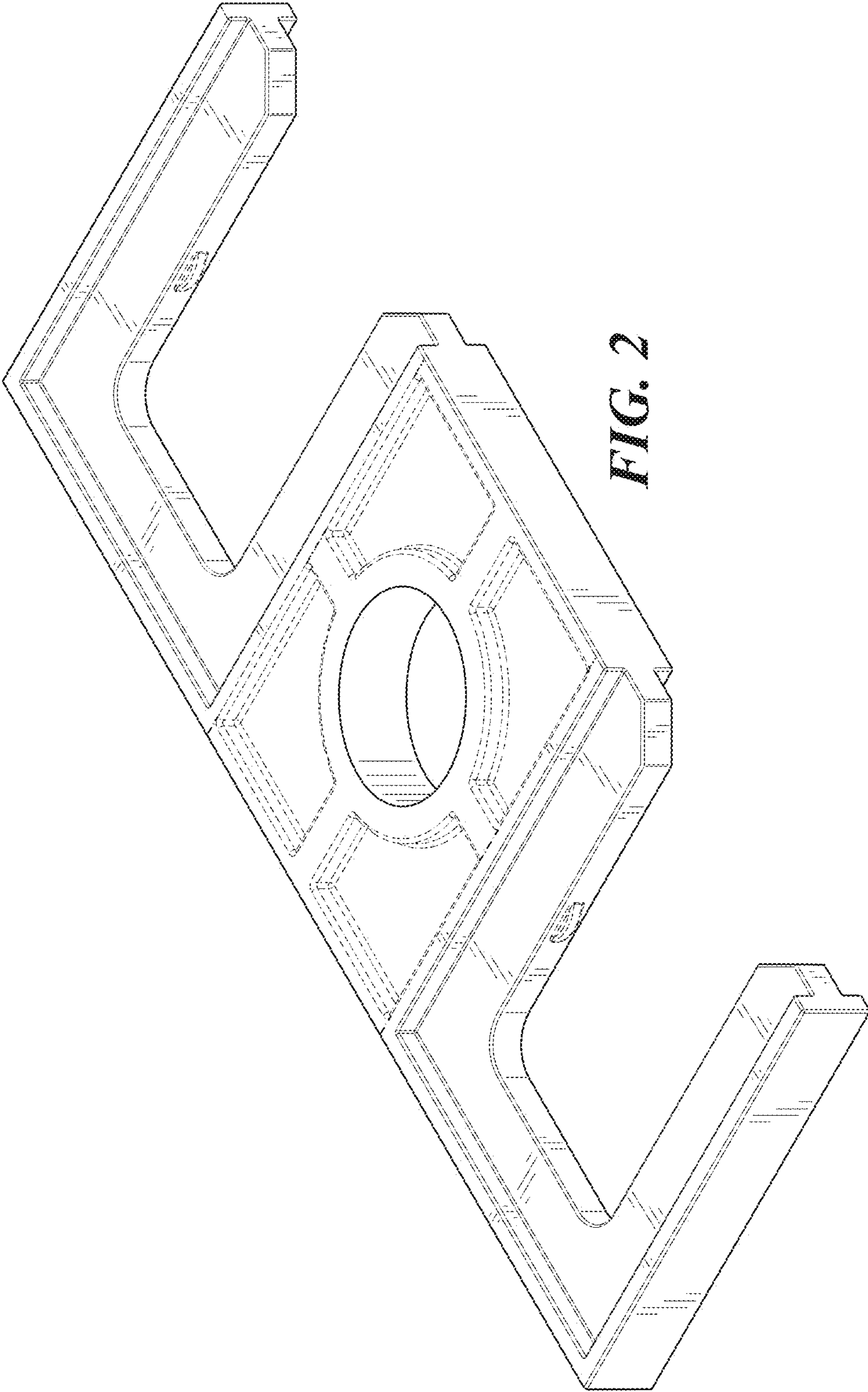


FIG. 2

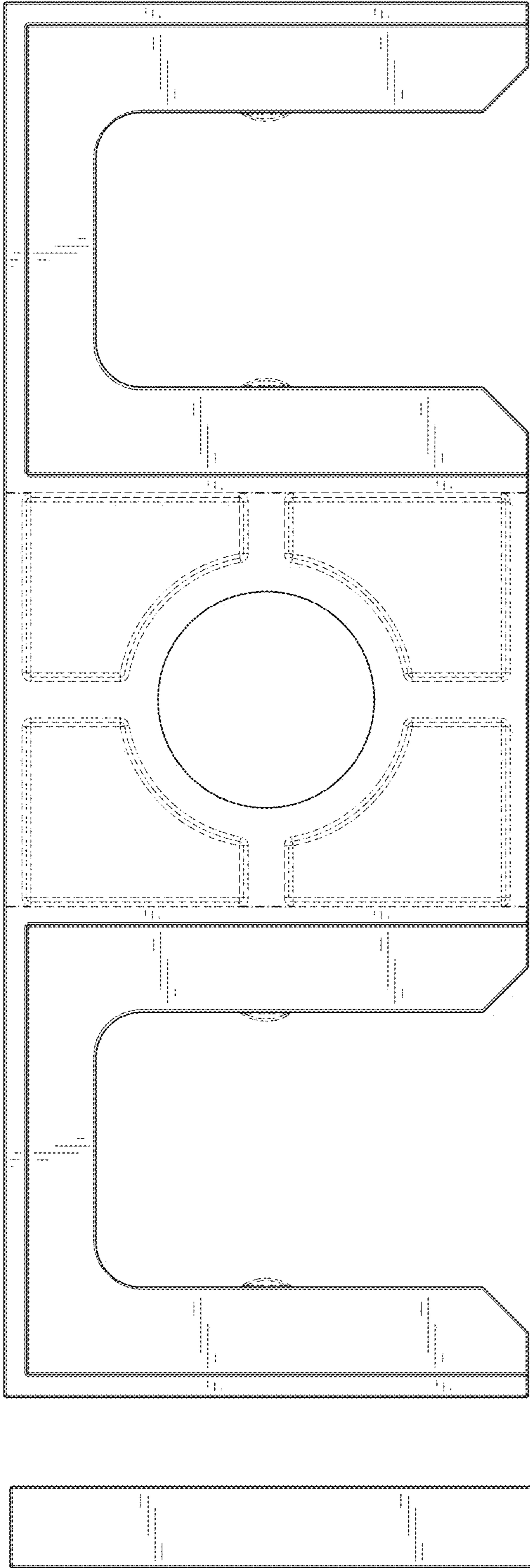


FIG. 7

FIG. 3

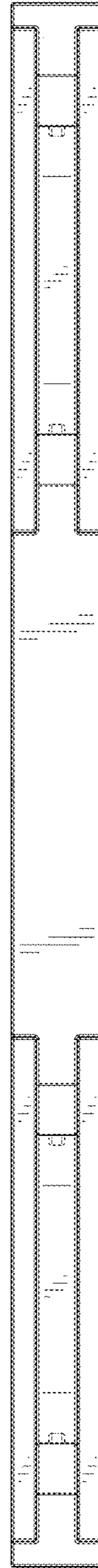


FIG. 5



FIG. 8

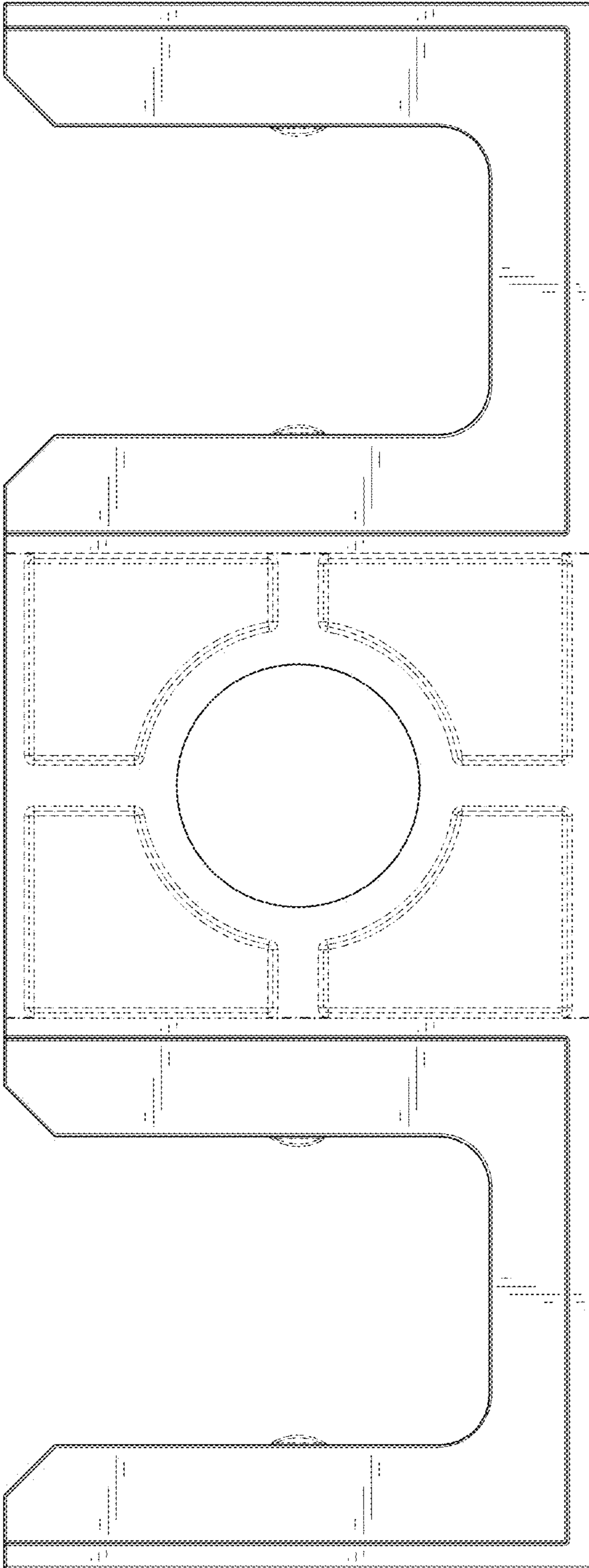


FIG. 4



FIG. 6