



US00D934299S

(12) **United States Design Patent** (10) **Patent No.:** **US D934,299 S**
Yacoub et al. (45) **Date of Patent:** **** Oct. 26, 2021**

(54) **INJECTOR** 5,934,559 A * 8/1999 Coldren F02M 45/02
239/88

(71) Applicant: **CATERPILLAR INC.**, Peoria, IL (US) 7,448,362 B2 11/2008 Seelbach
8,333,336 B2 12/2012 Lewis et al.

(72) Inventors: **Victor Iskander Yacoub**, Washington, IL (US); **Cory A. Brown**, Peoria, IL (US); **Satya Naga Deepak Pillarisetti**, Pontiac, IL (US); **Kevin J. Schreder**, East Peoria, IL (US); **Hoisan Kim**, Dunlap, IL (US); **Jianhua Zhang**, Dunlap, IL (US)
(Continued)
FOREIGN PATENT DOCUMENTS
CN 206092256 U 4/2017
JP S59-119059 A 7/1984
JP H02-140455 A 5/1990

(73) Assignee: **Caterpillar Inc.**, Peoria, IL (US)
Design U.S. Application of Victor Iskander Yacoub et al., entitled "Injector," filed Jan. 29, 2020.

(**) Term: **15 Years**
Primary Examiner — Ania Aman
(74) *Attorney, Agent, or Firm* — Finnegan, Henderson, Farabow, Garrett & Dunner, LLP

(21) Appl. No.: **29/722,356**

(22) Filed: **Jan. 29, 2020**

(51) **LOC (13) Cl.** **15-01**

(52) **U.S. Cl.**
USPC **D15/5**

(58) **Field of Classification Search**
USPC D15/4, 5, 6
CPC .. F02M 61/165; F02M 61/1833; F02M 61/18; F02M 61/00; F02F 1/242
See application file for complete search history.

(56) **References Cited**

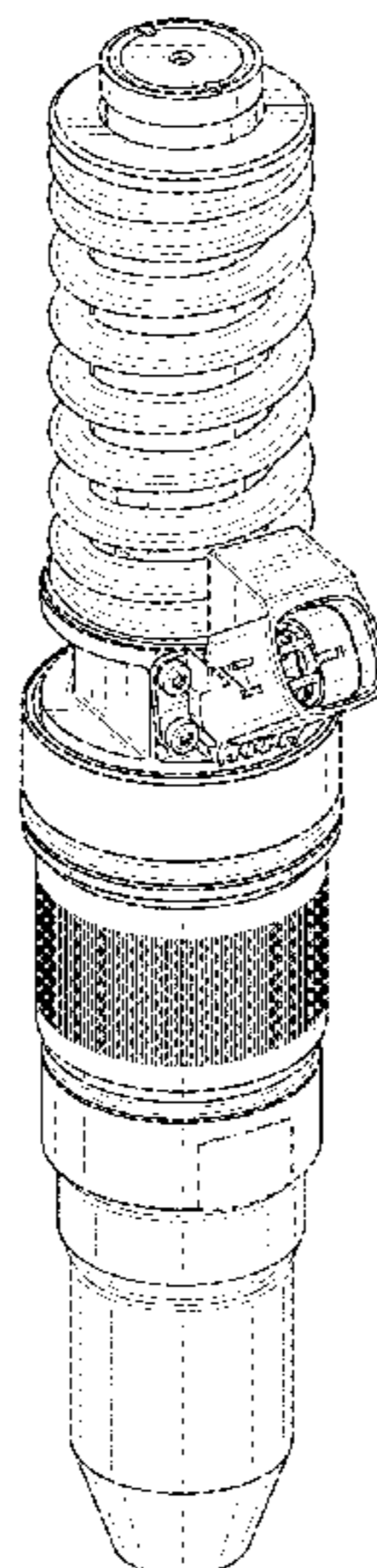
U.S. PATENT DOCUMENTS
D262,969 S * 2/1982 Howes 239/533.12
D263,711 S * 4/1982 Dean 239/533.3
4,420,973 A * 12/1983 Garcia G01M 15/06
73/114.49
4,548,356 A * 10/1985 Hofmann F02M 61/165
210/416.4
4,550,875 A 11/1985 Teerman et al.
5,467,924 A 11/1995 Buescher et al.
5,807,483 A * 9/1998 Cassidy B01D 29/15
210/232
5,927,614 A * 7/1999 Touvelle F02M 51/005
239/585.1

OTHER PUBLICATIONS
Design U.S. Application of Victor Iskander Yacoub et al., entitled "Injector," filed Jan. 29, 2020.

(57) **CLAIM**
The ornamental design for an injector, as shown and described.

DESCRIPTION
FIG. 1 is a front, top, left perspective view of an injector showing the new design;
FIG. 2 is a rear, bottom, right perspective view thereof;
FIG. 3 is front elevation view thereof;
FIG. 4 is a rear elevation view thereof;
FIG. 5 is a right-side elevation view thereof;
FIG. 6 is a left-side elevation view thereof;
FIG. 7 is a top plan view thereof;
FIG. 8 is a bottom plan view thereof;
FIG. 9 is an enlarged partial front elevation view as indicated in FIG. 3; and,
FIG. 10 is an enlarged partial front elevation view as indicated in FIG. 3.
The broken lines of even length shown in the drawings illustrate portions of the injector that form no part of the claimed design.

1 Claim, 9 Drawing Sheets



(56)

References Cited

U.S. PATENT DOCUMENTS

10,371,110	B2	8/2019	Brown et al.	
2003/0116140	A1 *	6/2003	Forck	F02M 59/468 123/506
2003/0127532	A1 *	7/2003	Coldren	F02M 59/46 239/5
2004/0056114	A1 *	3/2004	Peterson, Jr.	F02M 61/1853 239/533.2
2008/0217421	A1 *	9/2008	Lewis	F02M 59/366 239/5
2010/0170476	A1 *	7/2010	Ganser	F02M 61/165 123/447
2015/0047611	A1 *	2/2015	Yasukawa	F02M 51/0671 123/445
2016/0115924	A1 *	4/2016	Meek	F02M 45/00 239/408
2017/0009724	A1 *	1/2017	Izzo	F02M 61/165
2017/0306913	A1 *	10/2017	Krejci	F02M 61/165
2018/0023438	A1 *	1/2018	McFarland	F01N 3/2066 422/168
2018/0209390	A1 *	7/2018	Caceres	B01D 29/58
2019/0039178	A1 *	2/2019	Shirai	B23K 26/073
2019/0040790	A1 *	2/2019	Kusakabe	F02B 23/104
2019/0063392	A1 *	2/2019	Ishii	B05B 1/262
2019/0072025	A1 *	3/2019	Rabhi	F02B 19/02
2019/0162147	A1 *	5/2019	Caceres	B01D 35/306
2019/0195181	A1 *	6/2019	Brown	F02M 61/165
2019/0309719	A1 *	10/2019	Brown	B01D 29/31
2019/0360445	A1 *	11/2019	Sugii	B05B 1/3053
2020/0132030	A1 *	4/2020	Caceres	F02M 19/066
2020/0173408	A1 *	6/2020	Kim	F02M 57/023
2020/0240380	A1 *	7/2020	Itaya	F02M 61/1813

* cited by examiner

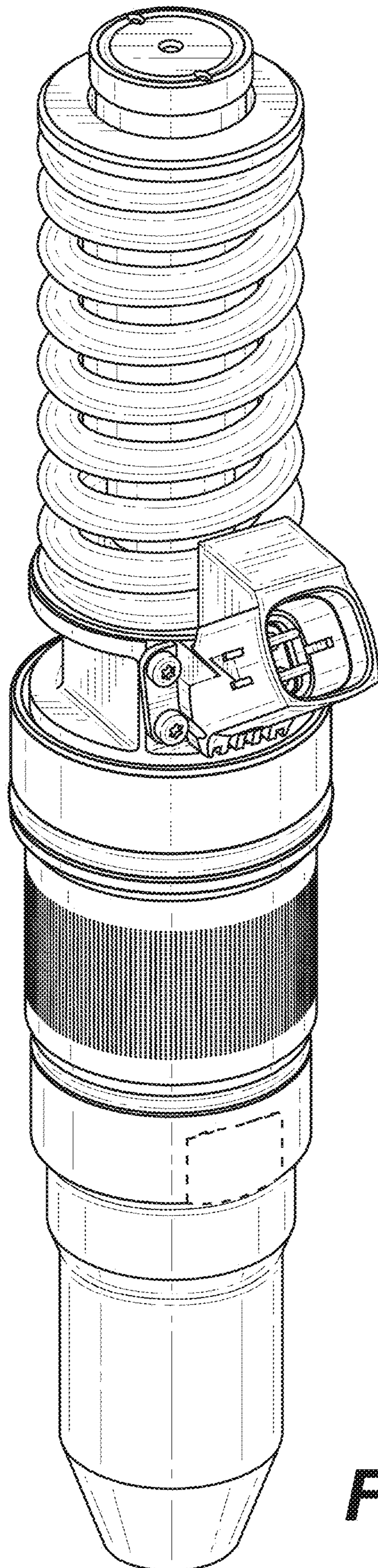


FIG. 1

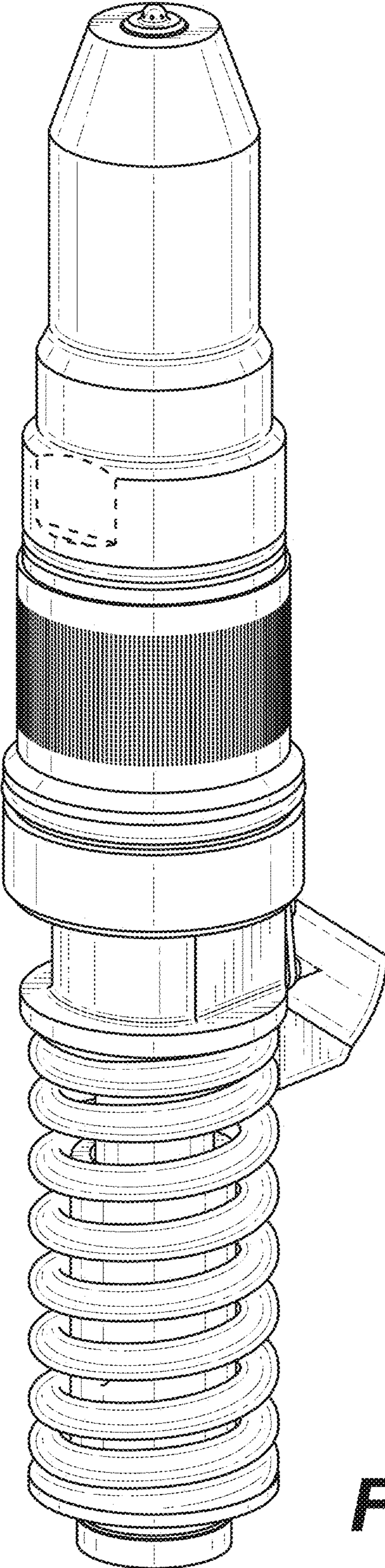
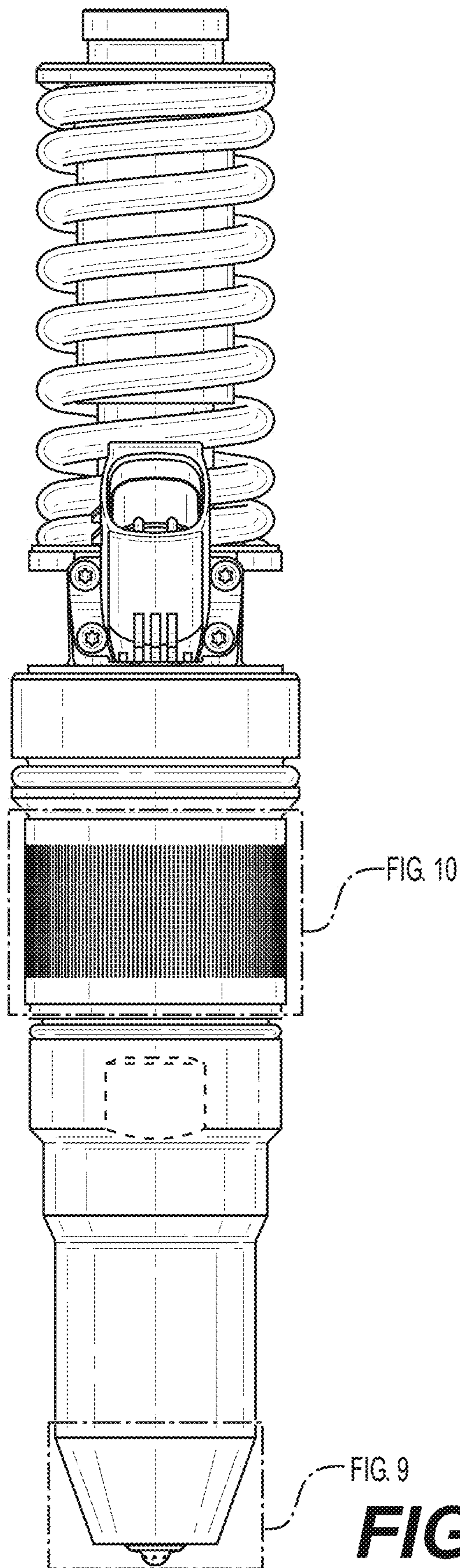


FIG. 2



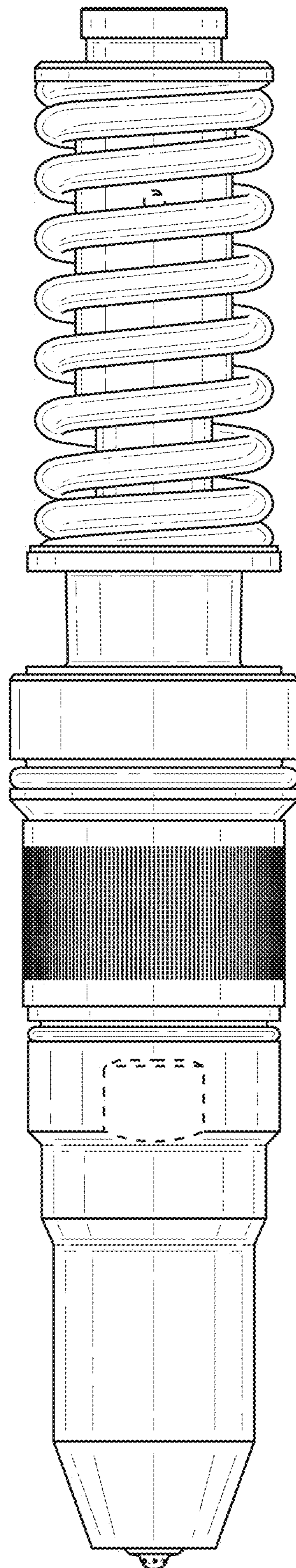


FIG. 4

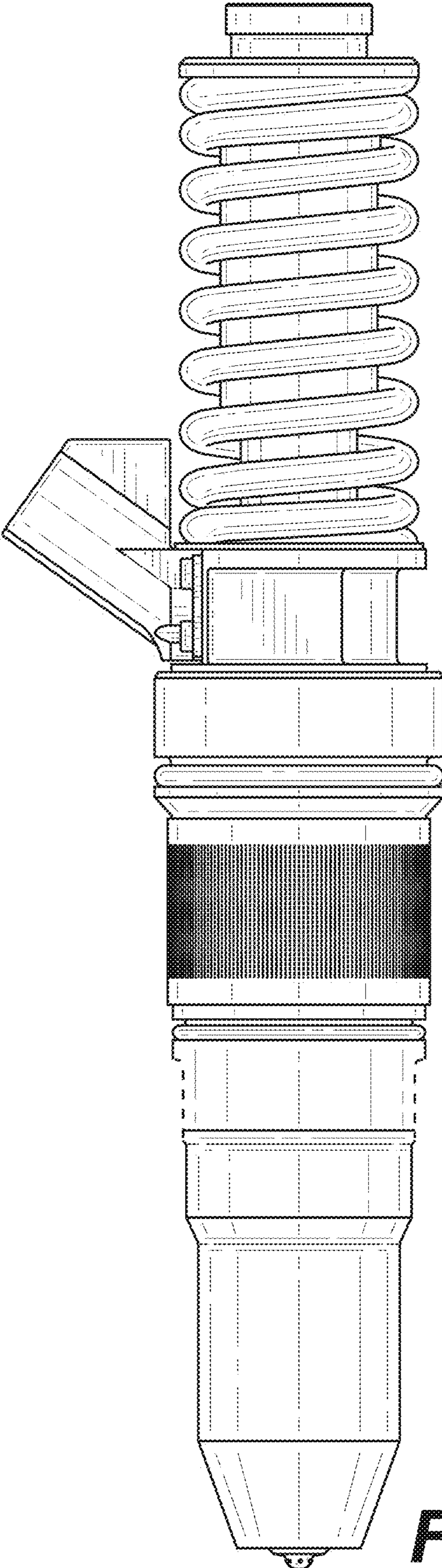


FIG. 5

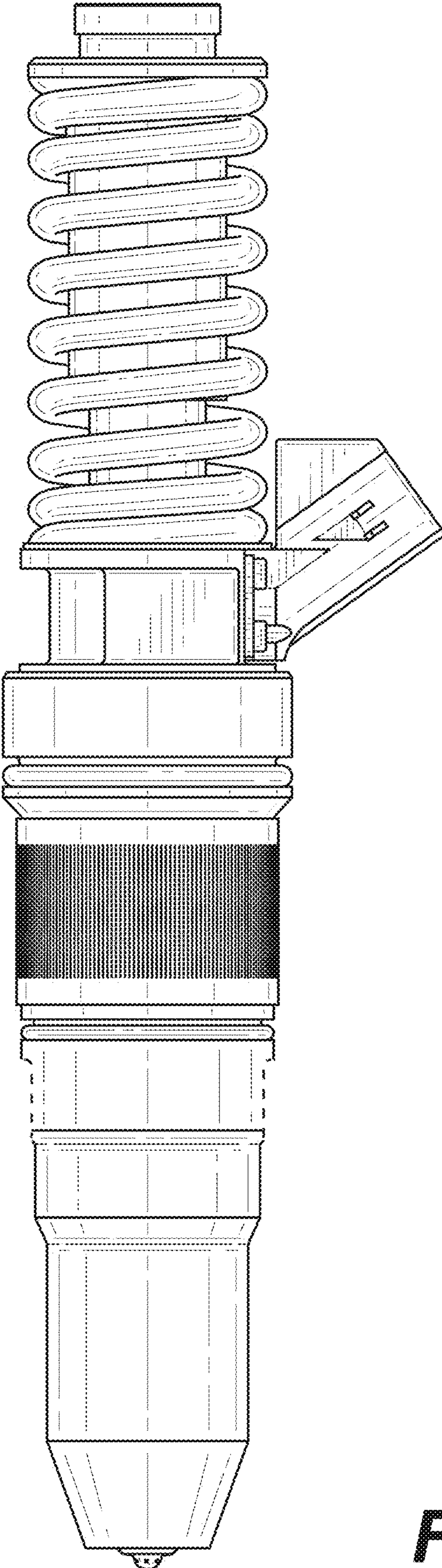


FIG. 6

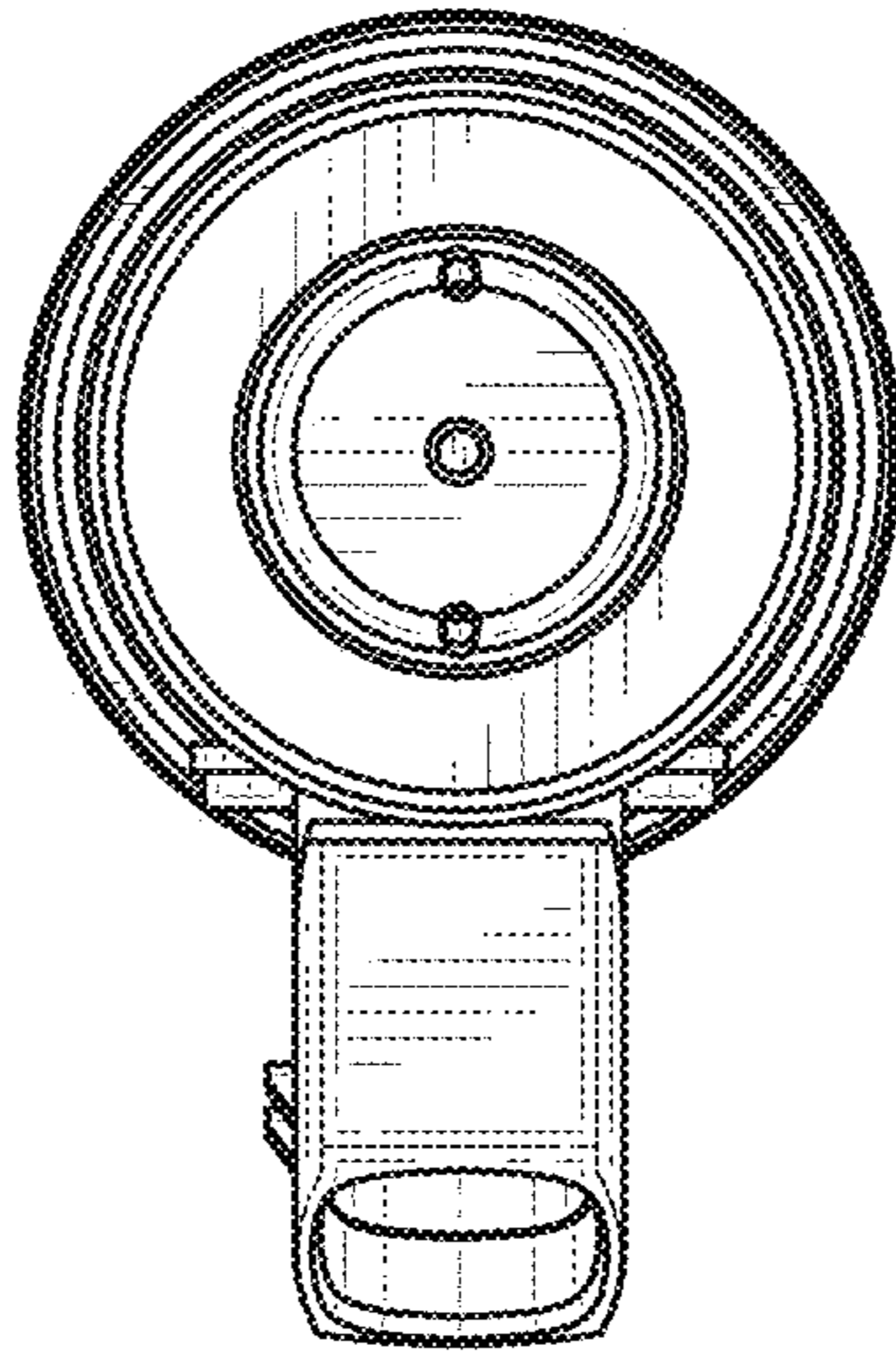


FIG. 7

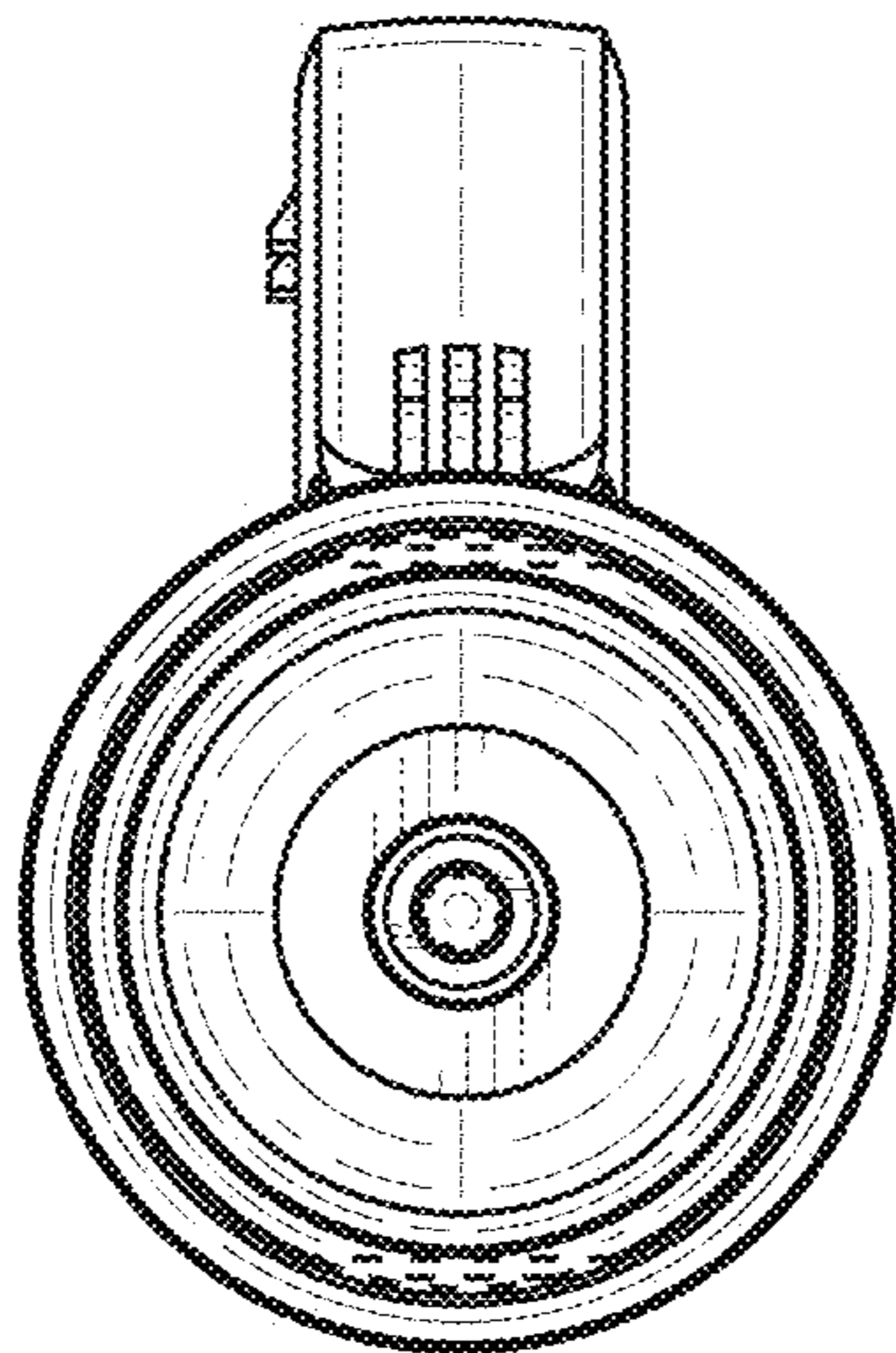


FIG. 8

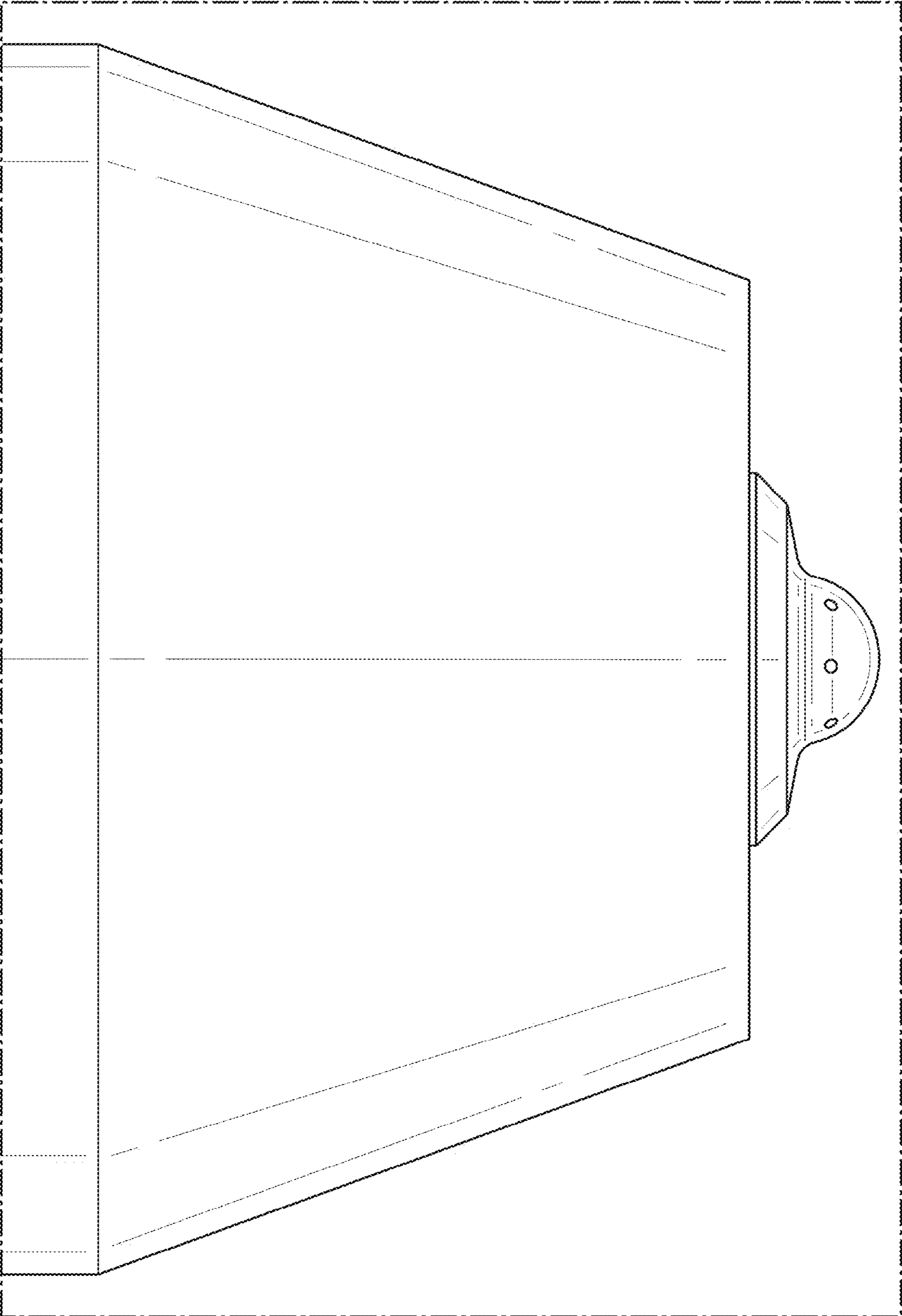


FIG. 9

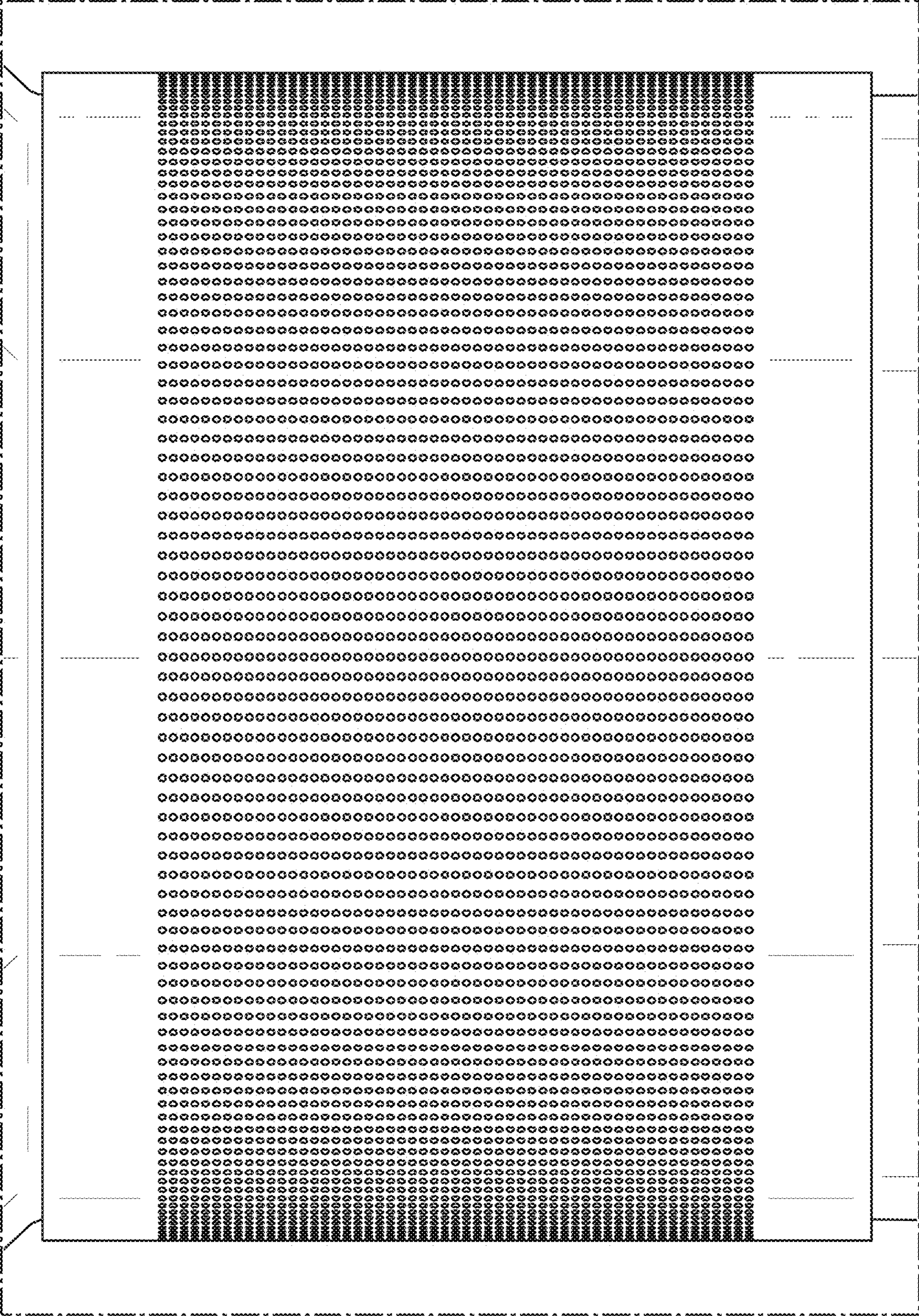


FIG. 10