



US00D934298S

(12) **United States Design Patent** (10) **Patent No.:** **US D934,298 S**
Yacoub et al. (45) **Date of Patent:** **** Oct. 26, 2021**

(54) **INJECTOR** 5,934,559 A * 8/1999 Coldren F02M 45/02
239/88
(71) Applicant: **CATERPILLAR INC.**, Peoria, IL (US) 7,448,362 B2 11/2008 Seelbach
8,333,336 B2 12/2012 Lewis et al.
10,371,110 B2 8/2019 Brown et al.
(72) Inventors: **Victor Iskander Yacoub**, Washington, 2003/0116140 A1* 6/2003 Forck F02M 59/468
IL (US); **Cory A. Brown**, Peoria, IL 123/506
(US); **Satya Naga Deepak Pillarisetti**,
Pontiac, IL (US); **Kevin J. Schreder**,
East Peoria, IL (US); **Hoisan Kim**,
Dunlap, IL (US); **Jianhua Zhang**,
Dunlap, IL (US)

(Continued)

FOREIGN PATENT DOCUMENTS

CN 206092256 U 4/2017
JP S59-119059 A 7/1984
JP H02-140455 A 5/1990

(73) Assignee: **Caterpillar Inc.**, Peoria, IL (US)

(**) Term: **15 Years**

(21) Appl. No.: **29/722,349**

(22) Filed: **Jan. 29, 2020**

(51) **LOC (13) Cl.** **15-01**

(52) **U.S. Cl.**
USPC **D15/5**

(58) **Field of Classification Search**
USPC D15/4, 5, 6
CPC .. F02M 61/165; F02M 61/1833; F02M 61/18;
F02M 61/00; F02F 1/242
See application file for complete search history.

(56) **References Cited**

U.S. PATENT DOCUMENTS

D262,969 S * 2/1982 Howes 239/533.12
D263,711 S * 4/1982 Dean 239/533.3
4,420,973 A * 12/1983 Garcia G01M 15/06
73/114.49
4,548,356 A * 10/1985 Hofmann F02M 61/165
210/416.4
4,550,875 A 11/1985 Teerman et al.
5,467,924 A 11/1995 Buescher et al.
5,807,483 A * 9/1998 Cassidy B01D 29/15
210/232
5,927,614 A * 7/1999 Touvelle F02M 51/005
239/585.1

OTHER PUBLICATIONS

U.S. Design Patent Application of Victor Iskander Yacoub et al.,
entitled "Injector," filed Jan. 29, 2020.

Primary Examiner — Ania Aman

(57) **CLAIM**

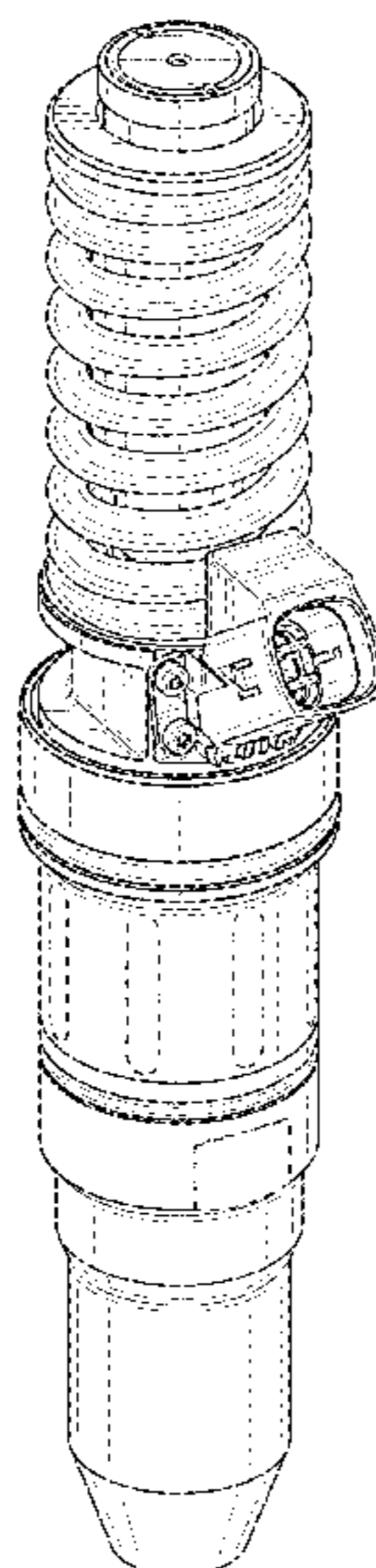
The ornamental design for an injector, as shown and
described.

DESCRIPTION

FIG. 1 is a front, top, left perspective view of an injector
showing the new design;
FIG. 2 is a rear, bottom, right perspective view thereof;
FIG. 3 is front elevation view thereof;
FIG. 4 is a rear elevation view thereof;
FIG. 5 is a right-side elevation view thereof;
FIG. 6 is a left-side elevation view thereof;
FIG. 7 is a top plan view thereof;
FIG. 8 is a bottom plan view thereof; and,
FIG. 9 is an enlarged partial front elevation view as indicated
in FIG. 3.

The broken lines of even length shown in the drawings
illustrate portions of the injector that form no part of the
claimed design.

1 Claim, 8 Drawing Sheets



(56)

References Cited

U.S. PATENT DOCUMENTS

2003/0127532 A1* 7/2003 Coldren F02M 59/46
239/5
2004/0056114 A1* 3/2004 Peterson, Jr. F02M 61/1853
239/533.2
2008/0217421 A1* 9/2008 Lewis F02M 59/366
239/5
2010/0170476 A1* 7/2010 Ganser F02M 61/165
123/447
2015/0047611 A1* 2/2015 Yasukawa F02M 51/0671
123/445
2016/0115924 A1* 4/2016 Meek F02M 45/00
239/408
2017/0009724 A1* 1/2017 Izzo F02M 61/165
2017/0306913 A1* 10/2017 Krejci F02M 61/165
2018/0023438 A1* 1/2018 McFarland F01N 3/2066
422/168
2018/0209390 A1* 7/2018 Caceres B01D 29/58
2019/0039178 A1* 2/2019 Shirai B23K 26/073
2019/0040790 A1* 2/2019 Kusakabe F02B 23/104
2019/0063392 A1* 2/2019 Ishii B05B 1/262
2019/0072025 A1* 3/2019 Rabhi F02B 19/02
2019/0162147 A1* 5/2019 Caceres B01D 35/306
2019/0195181 A1* 6/2019 Brown F02M 61/165
2019/0309719 A1* 10/2019 Brown B01D 29/31
2019/0360445 A1* 11/2019 Sugii B05B 1/3053
2020/0132030 A1* 4/2020 Caceres F02M 19/066
2020/0173408 A1* 6/2020 Kim F02M 57/023
2020/0240380 A1* 7/2020 Itaya F02M 61/1813

* cited by examiner

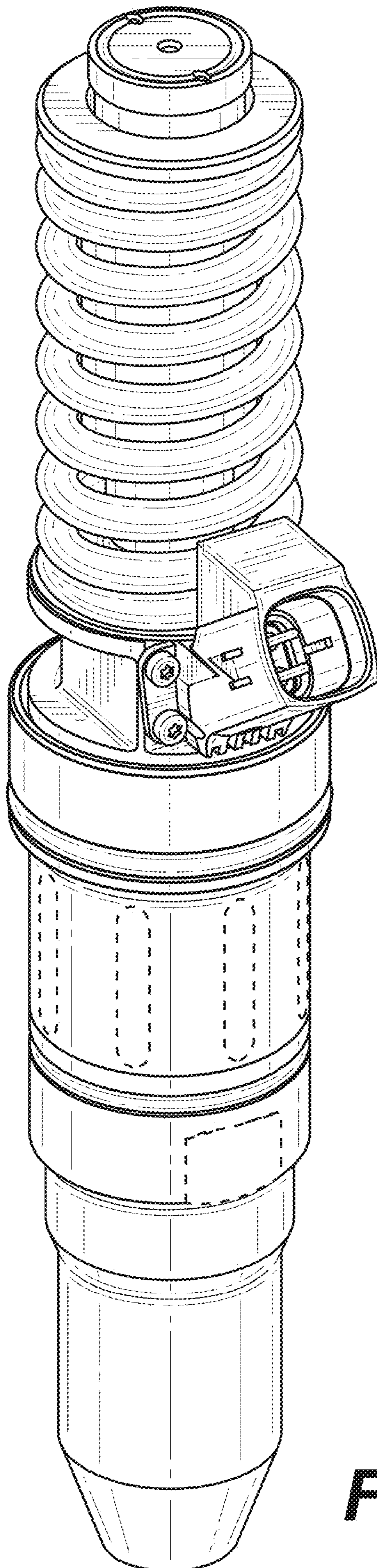


FIG. 1

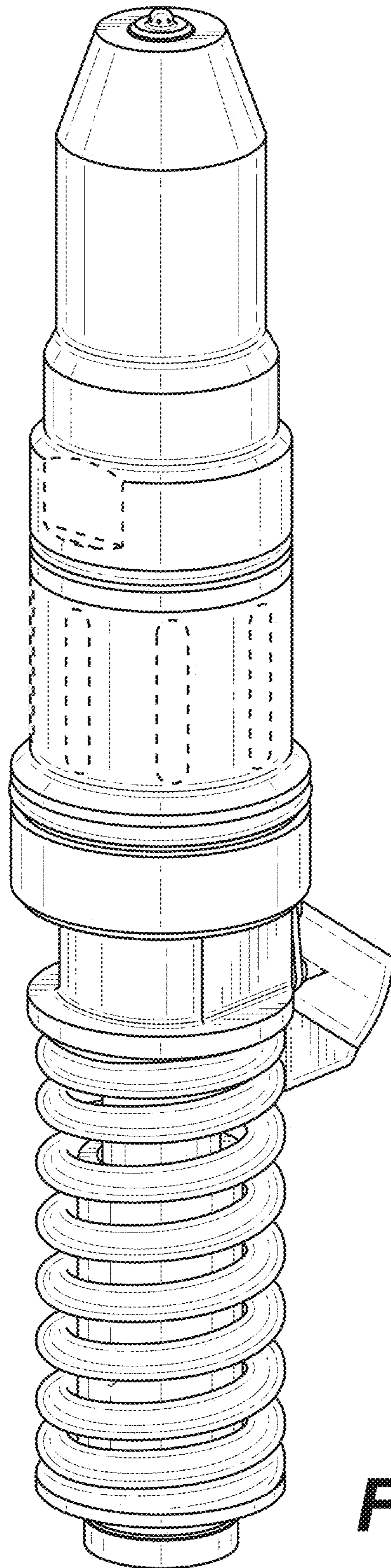


FIG. 2

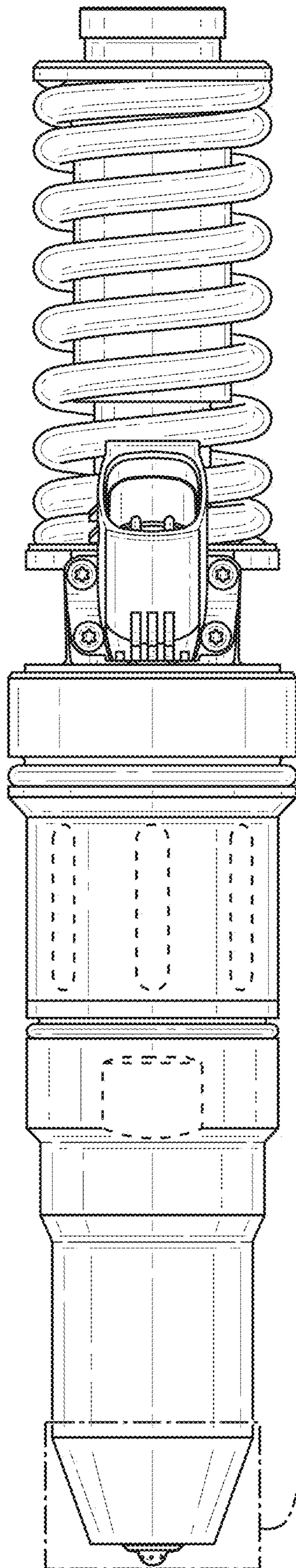


FIG. 9

FIG. 3

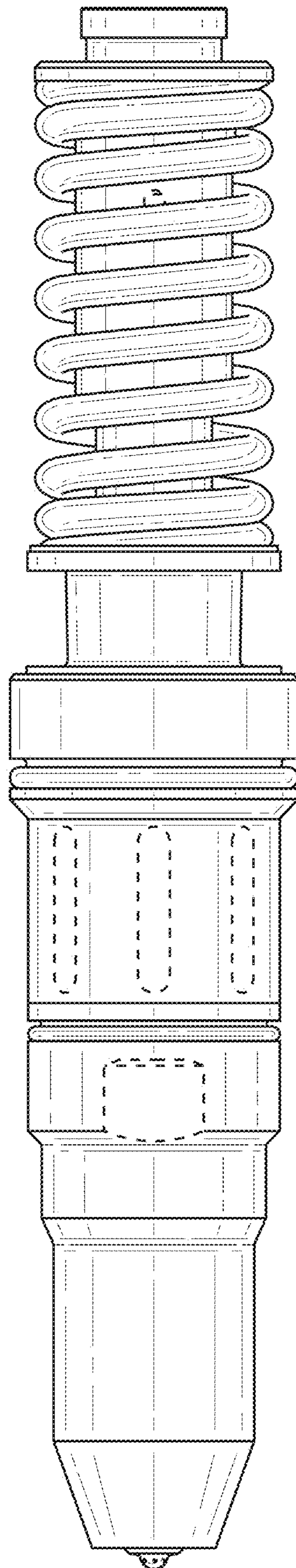


FIG. 4

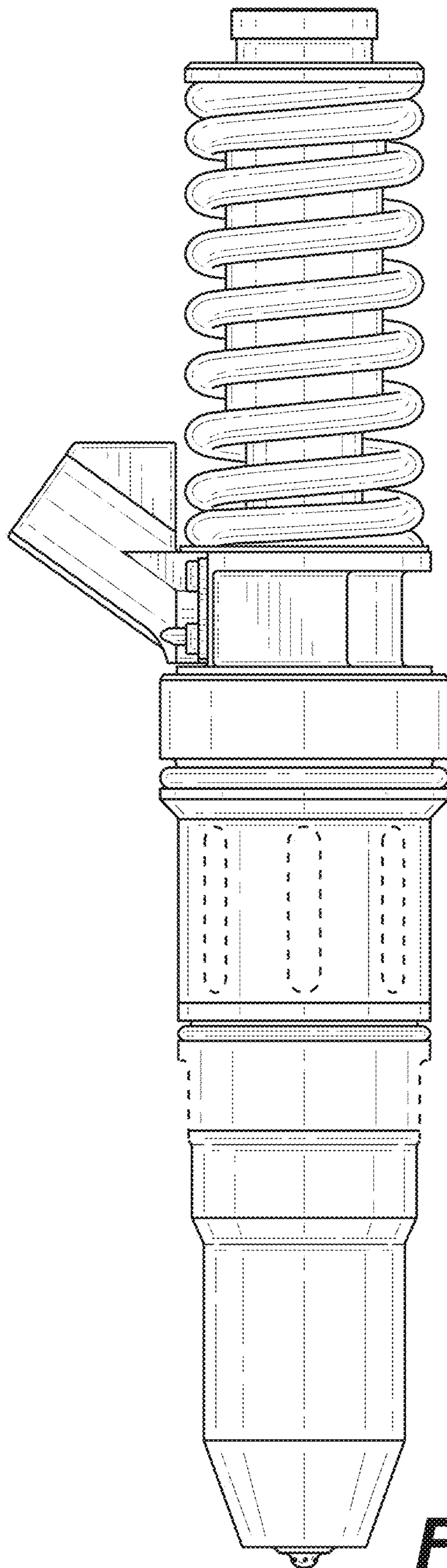


FIG. 5

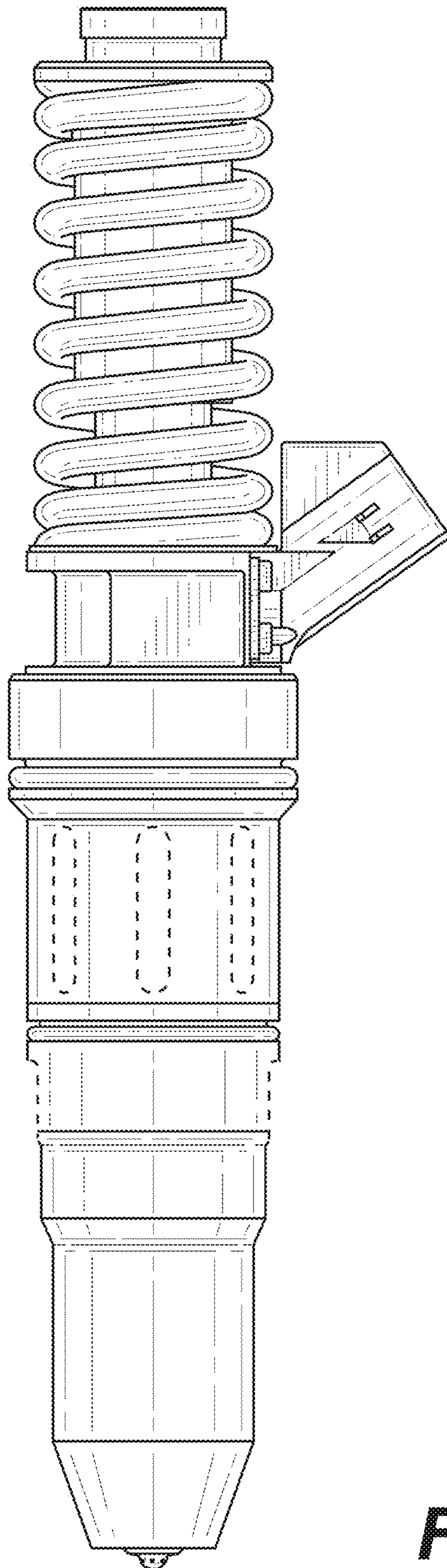


FIG. 6

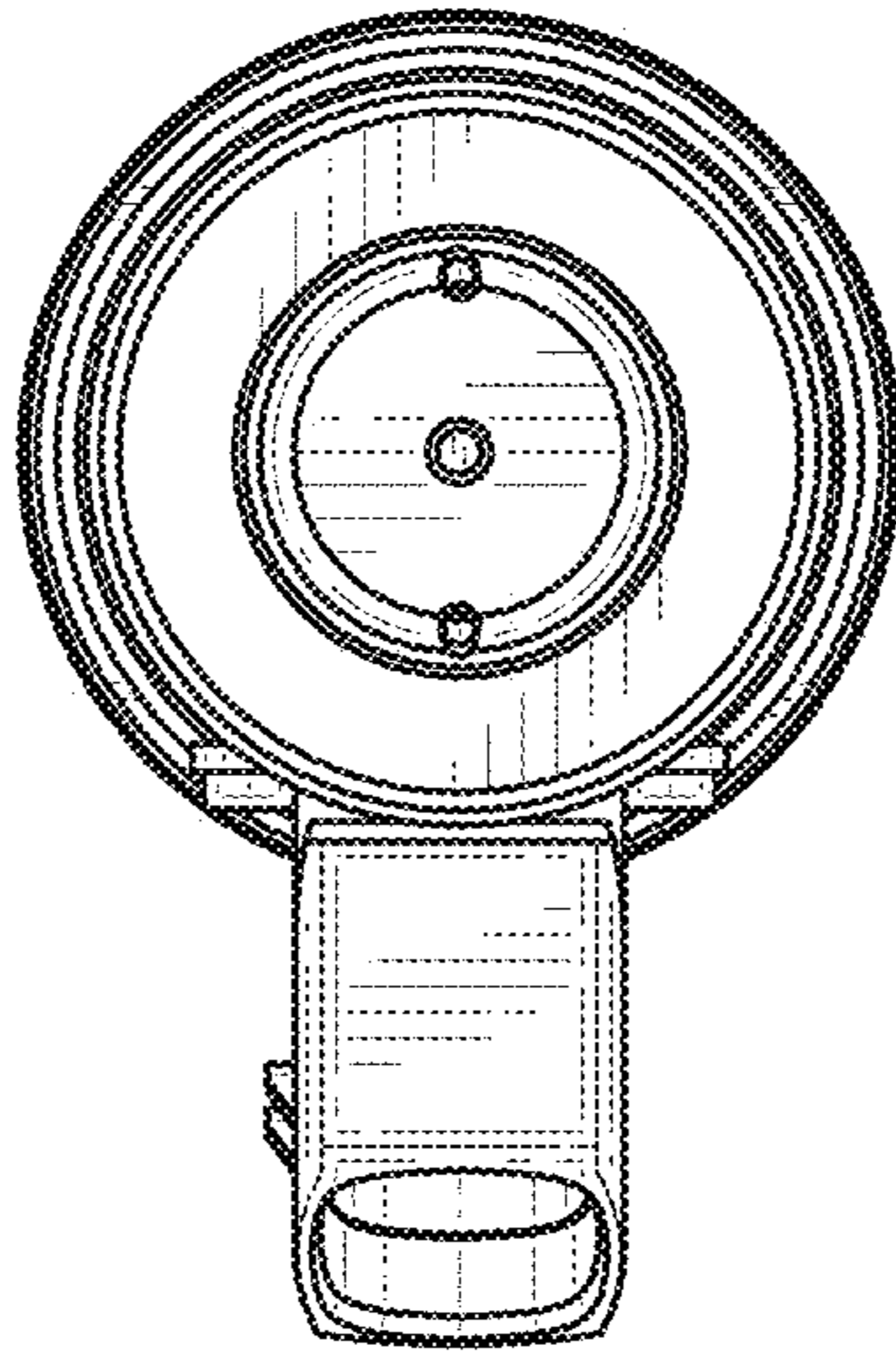


FIG. 7

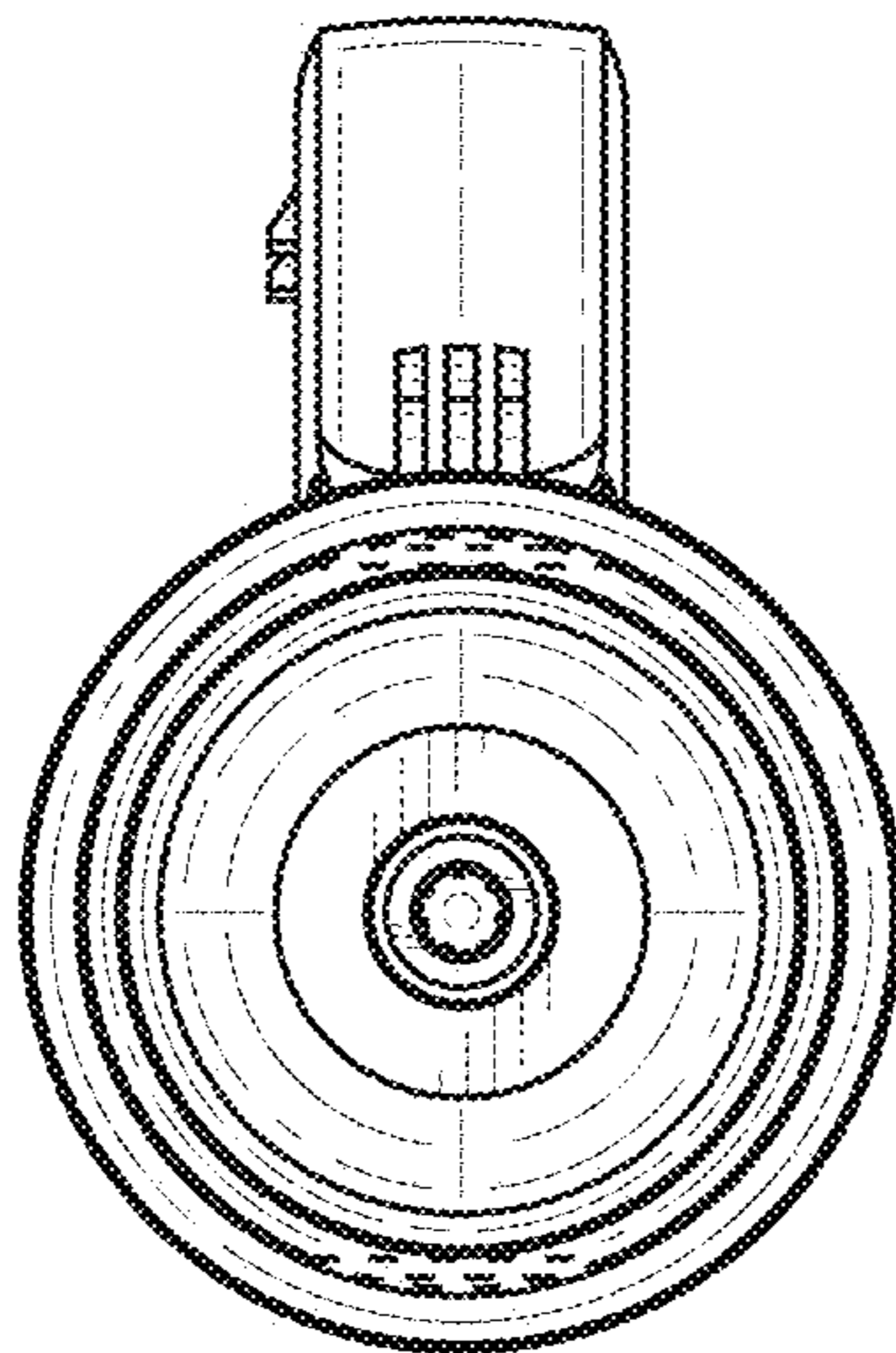


FIG. 8

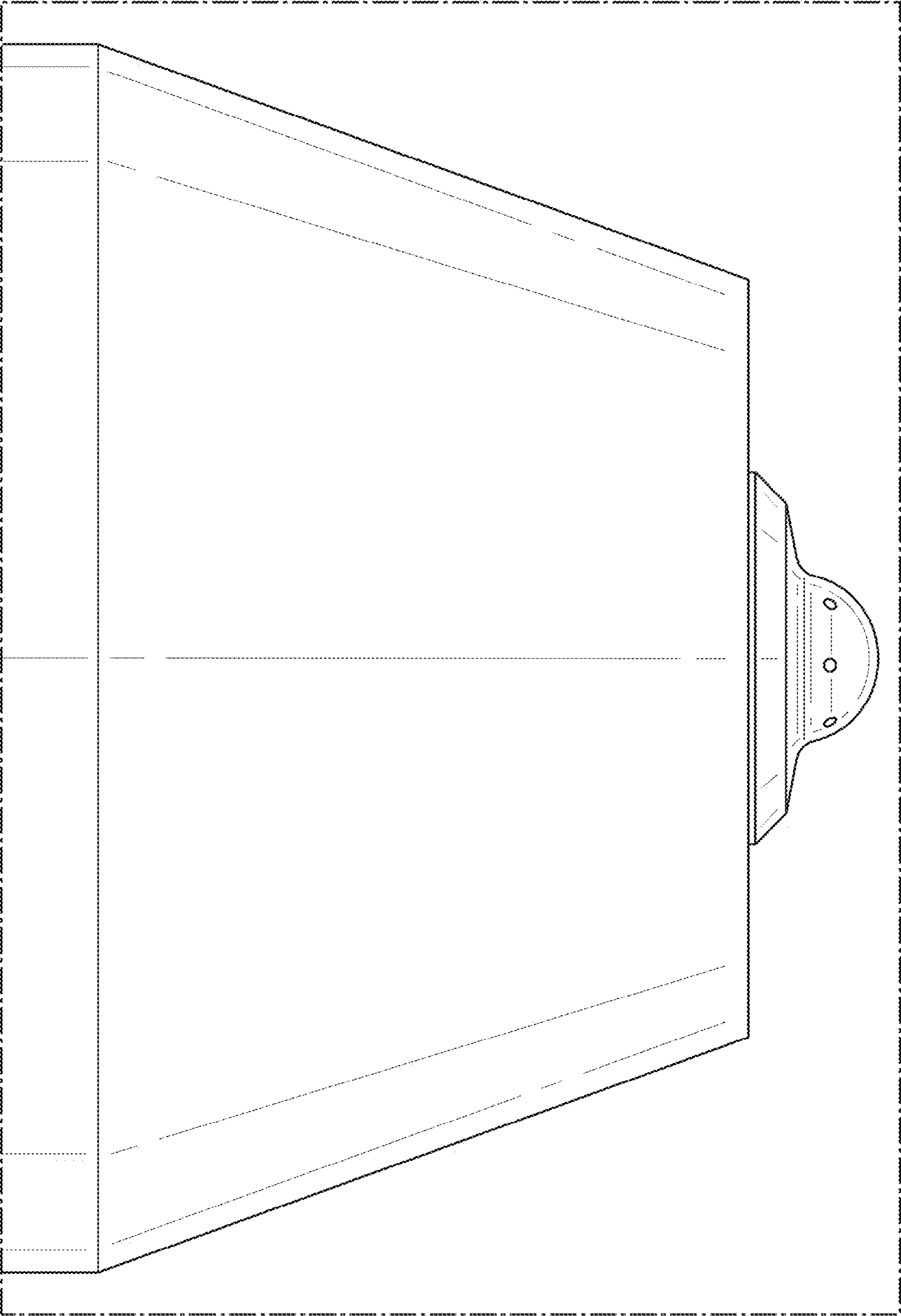


FIG. 9