



US00D934265S

(12) **United States Design Patent**
Liu

(10) **Patent No.:** **US D934,265 S**

(45) **Date of Patent:** **** Oct. 26, 2021**

(54) **STAND FOR ELECTRONIC DEVICE**

(71) Applicant: **Shenzhen Jiesida Trading Co., Ltd.**,
Shenzhen (CN)

(72) Inventor: **Yuanwei Liu**, Pingxiang (CN)

(**) Term: **15 Years**

(21) Appl. No.: **29/773,297**

(22) Filed: **Mar. 9, 2021**

(51) **LOC (13) Cl.** **08-07**

(52) **U.S. Cl.**
USPC **D14/447**

(58) **Field of Classification Search**
USPC D14/447, 432, 434, 439, 440, 451, 452,
D14/457, 239, 253; D8/363, 373, 380;
D6/406.3, 406.4, 406.5, 406.6; D12/415;
D13/108
CPC A47B 21/04; A47B 2097/006; A47B
2097/005; A47B 2023/049; A45C
2011/002; A45C 2011/003; F16M
2200/00; F16M 13/00
See application file for complete search history.

(56) **References Cited**

U.S. PATENT DOCUMENTS

D357,370 S * 4/1995 Watts D6/406.5
D640,699 S * 6/2011 McParland D14/434
D674,396 S * 1/2013 Yang D14/447

D680,121 S * 4/2013 Yamamoto D14/447
D687,440 S * 8/2013 Shieh
D688,253 S * 8/2013 Cho et al.
D703,675 S * 4/2014 Jensen D14/447
D747,322 S * 1/2016 Li D14/447
D768,635 S * 10/2016 Due D14/432
D768,639 S * 10/2016 Sumii D14/447
D831,662 S * 10/2018 Hong D14/447
D837,220 S * 1/2019 Sumii D14/447
D864,974 S * 10/2019 Groiss D14/447
D887,418 S * 6/2020 Valentine D14/447
D898,038 S * 10/2020 Hong D14/447
D905,041 S 12/2020 Ahn

* cited by examiner

Primary Examiner — Angela J Lee

(74) *Attorney, Agent, or Firm* — Runit Ranjit Kanakia

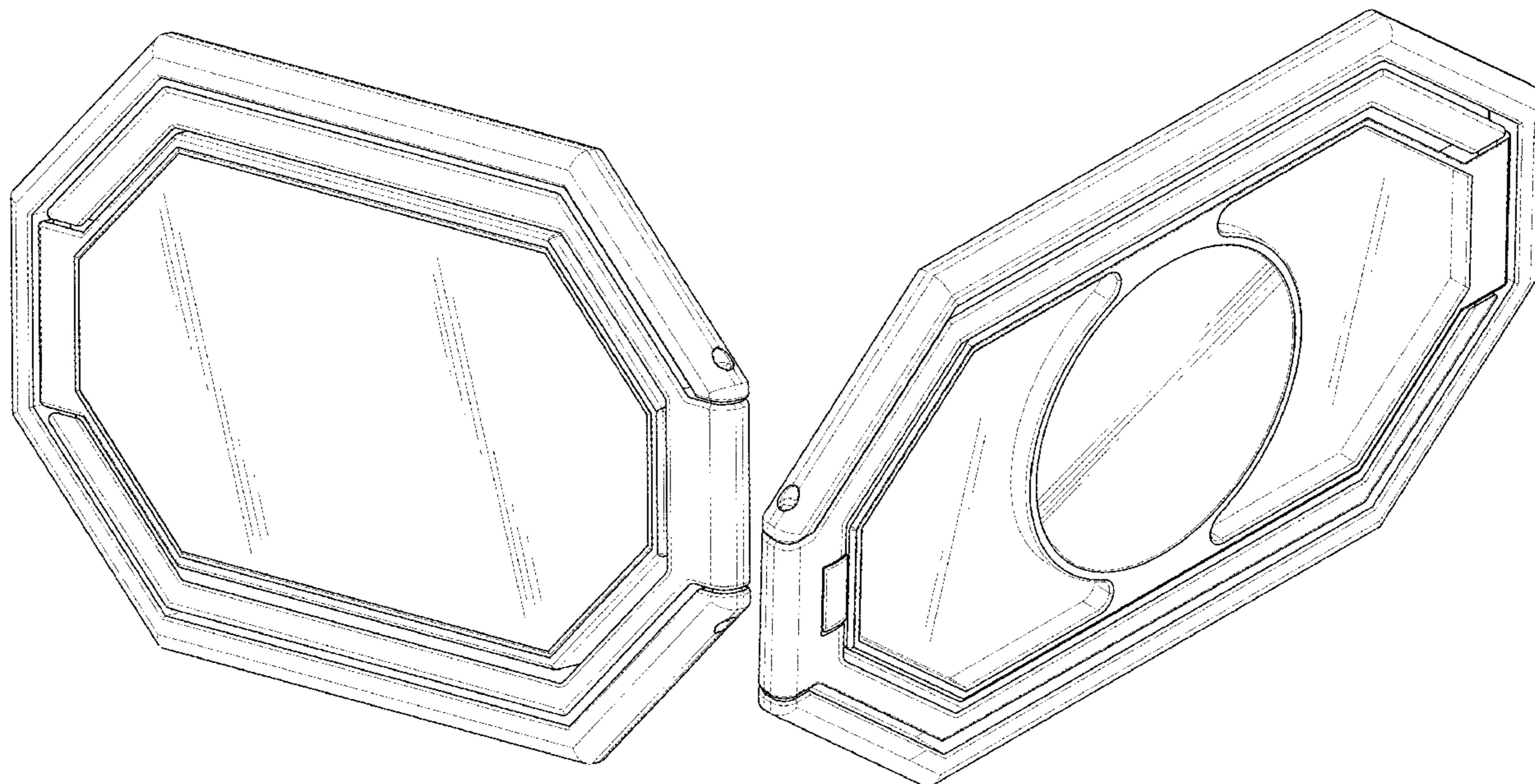
(57) **CLAIM**

I claim the ornamental design for a stand for electronic device, as shown and described.

DESCRIPTION

FIG. 1 is a Front Perspective view of a stand for electronic device showing my new design;
FIG. 2 is a Back Perspective view thereof;
FIG. 3 is a Front view thereof;
FIG. 4 is a Back view thereof;
FIG. 5 is a Right-side view thereof;
FIG. 6 is a Left-side view thereof;
FIG. 7 is a Top view thereof; and,
FIG. 8 is a Bottom view thereof.

1 Claim, 5 Drawing Sheets



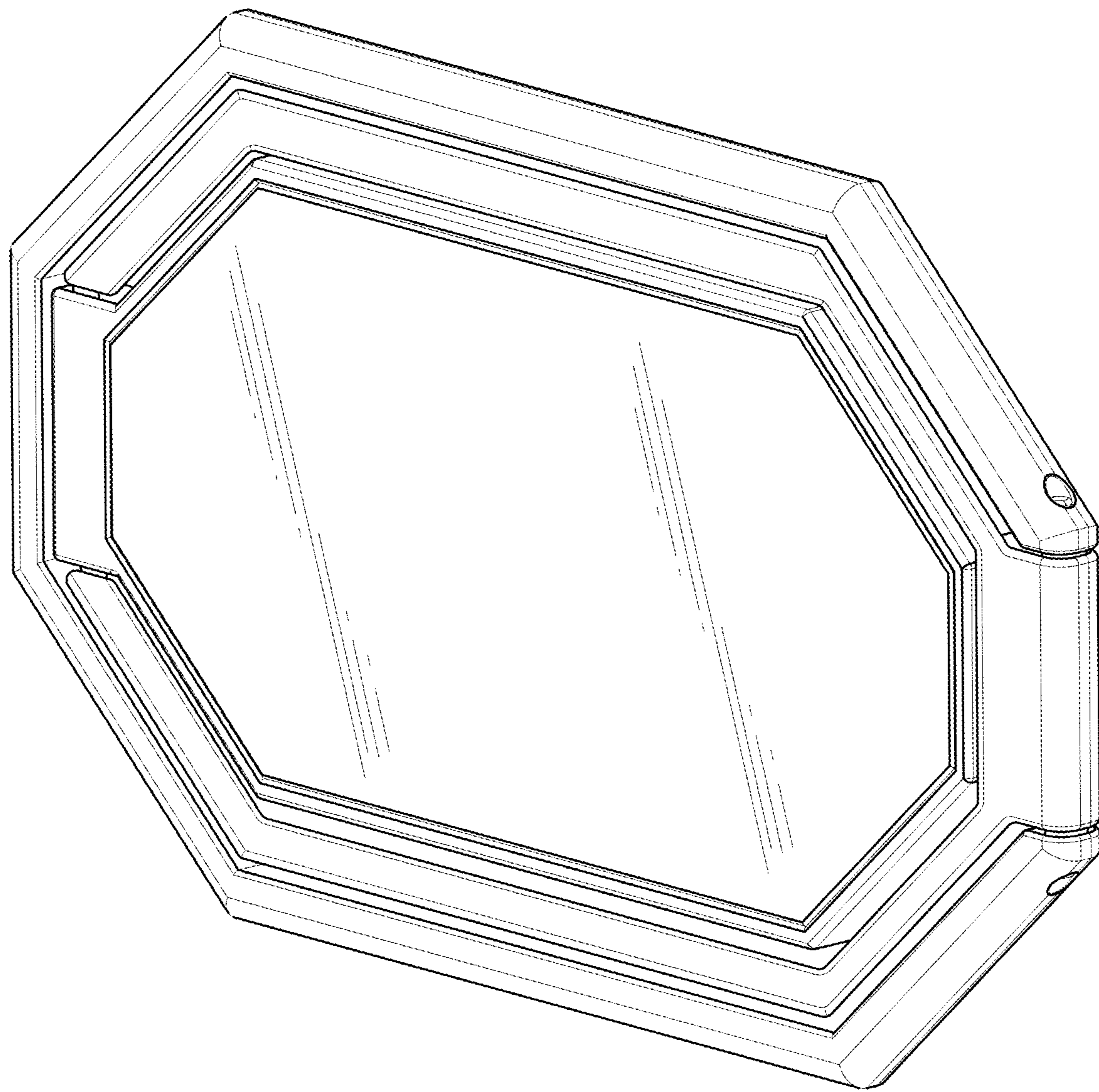


FIG. 1

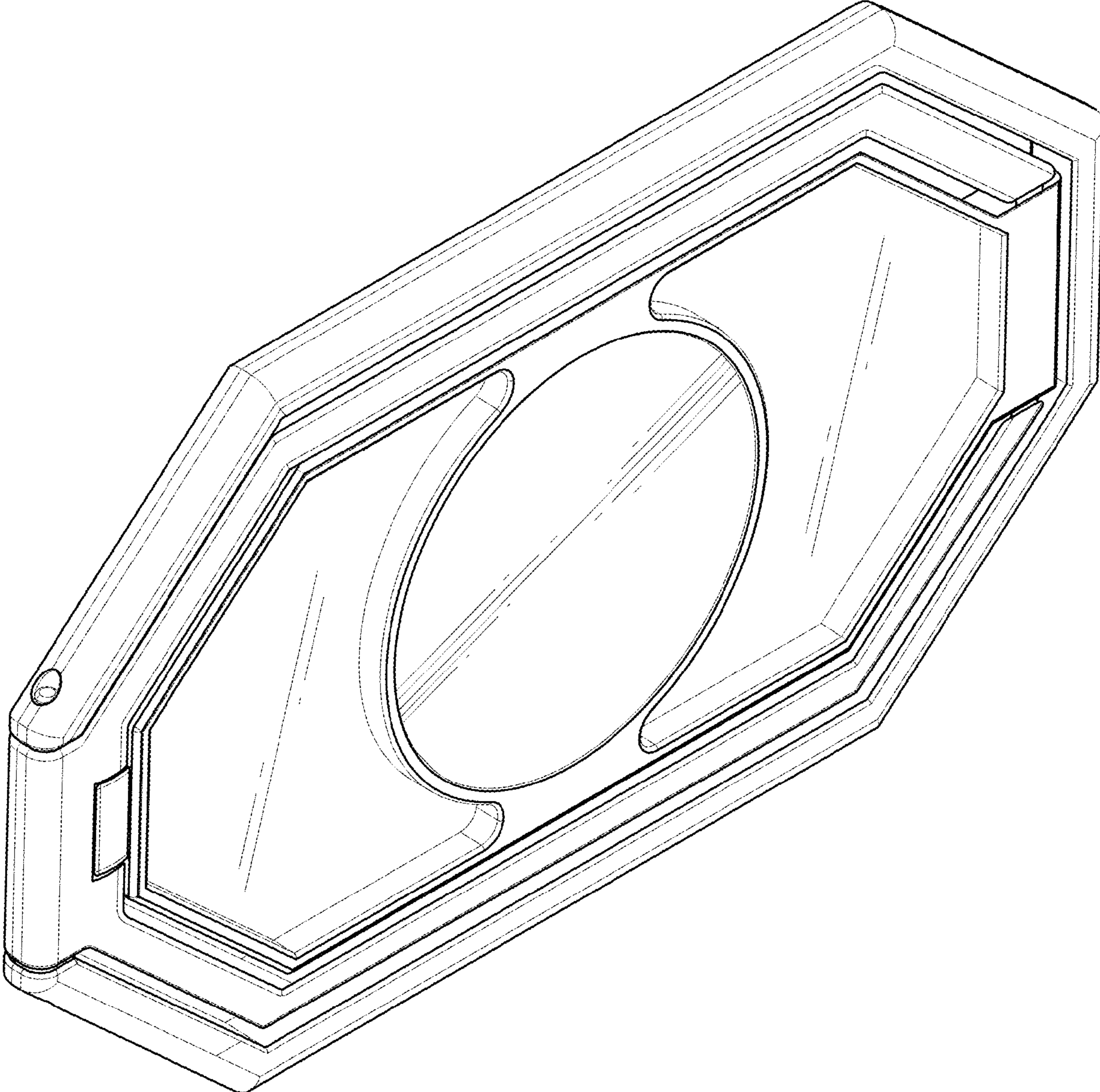


FIG. 2

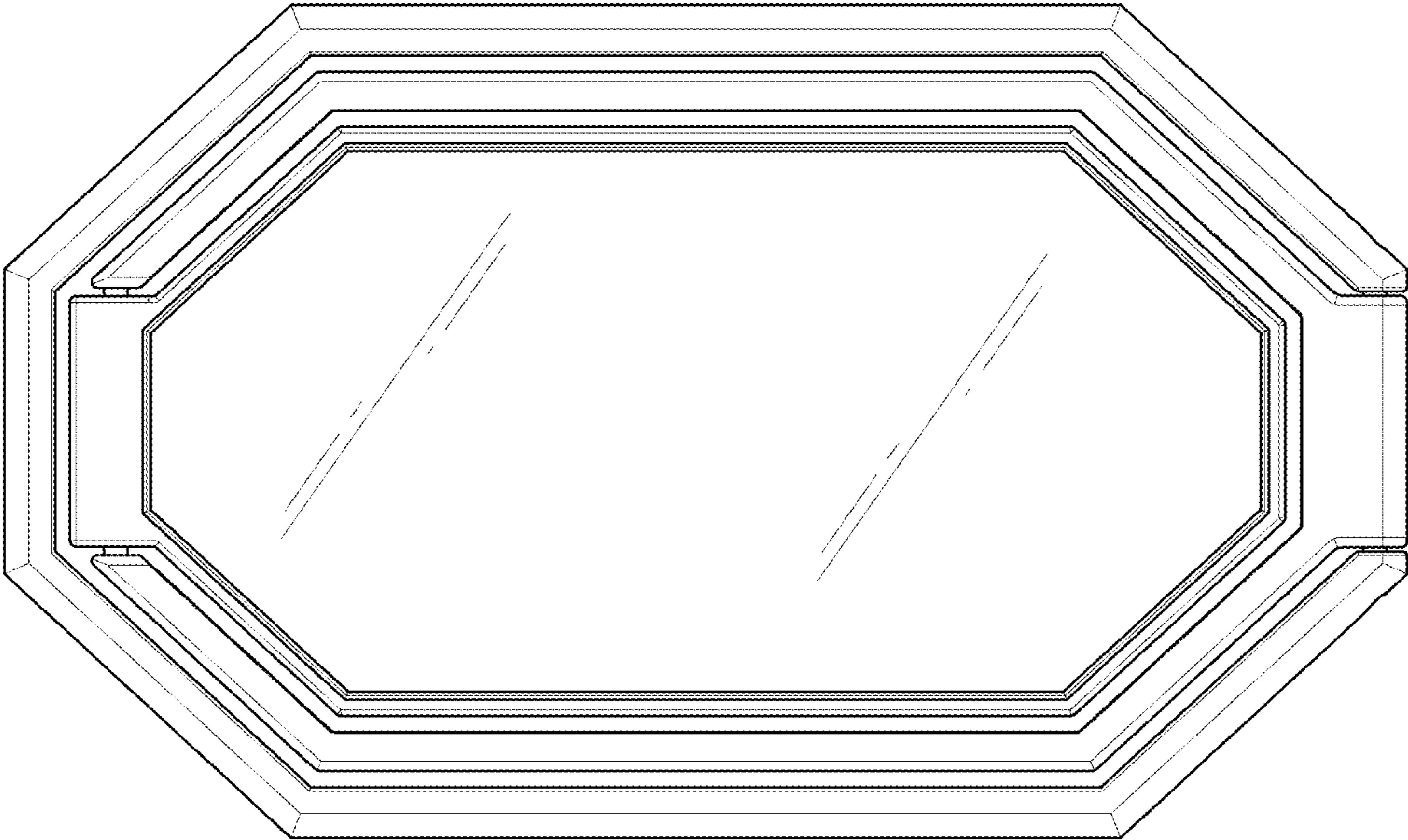


FIG. 3

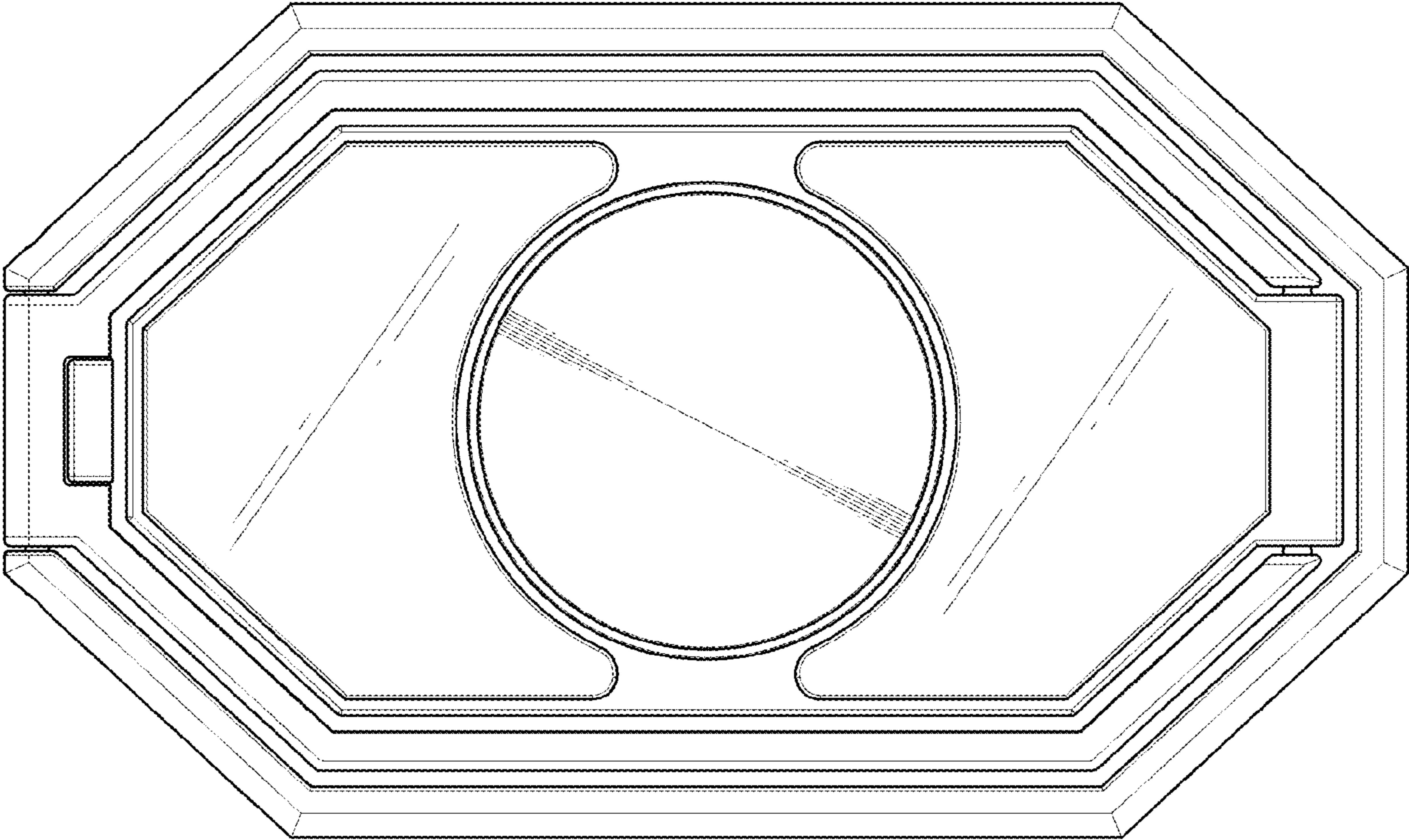


FIG. 4

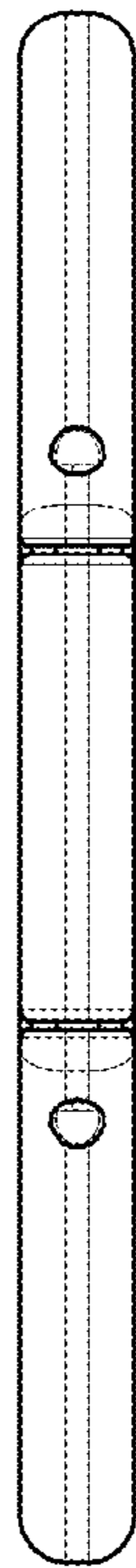


FIG. 5



FIG. 6



FIG. 7

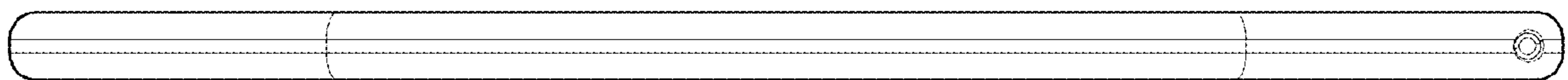


FIG. 8