



US00D934264S

(12) **United States Design Patent** (10) **Patent No.:** **US D934,264 S**
DeFazio et al. (45) **Date of Patent:** **** Oct. 26, 2021**

(54) **TABLET STAND** D652,834 S 1/2012 Jones et al.
 (71) Applicant: **Shopify Inc.**, Ottawa (CA) D654,921 S * 2/2012 Malsan D14/447
 (72) Inventors: **Michael Joseph DeFazio**, Fonthill D655,293 S 3/2012 Gioscia et al.
 (CA); **David Gervis Waddell**, Toronto D666,995 S * 9/2012 TerMeer D14/217
 (CA); **Darrin Henein**, Etobicoke (CA); D687,832 S 8/2013 Edwards et al.
Colin Roberts, Ottawa (CA); **Scott** D693,815 S 11/2013 Son
Gales, Masham (CA); **Mark Boycott**, D699,246 S 2/2014 Ringlein
 Ottawa (CA) D706,784 S * 6/2014 Mills D14/447
 D720,343 S 12/2014 Nichols
 D722,062 S 2/2015 Zwerner et al.
 D752,595 S 3/2016 Heckler
 D763,263 S 8/2016 Wierenga
 D780,186 S 2/2017 Lee
 D798,873 S * 10/2017 Ng D14/447
 D799,492 S 10/2017 Seiss
 D810,816 S 2/2018 Chen
 D817,964 S * 5/2018 Kim D14/447
 D855,050 S * 7/2019 Bongard D14/253
 D893,499 S * 8/2020 Kirkpatrick D14/447
 D899,431 S * 10/2020 Burns D14/447

(73) Assignee: **Shopify Inc.**, Ottawa (CA)
 (**) Term: **15 Years**
 (21) Appl. No.: **29/767,945**
 (22) Filed: **Jan. 26, 2021**

Related U.S. Application Data

(62) Division of application No. 29/646,784, filed on May 7, 2018, now Pat. No. Des. 912,064.
 (51) **LOC (13) Cl.** **08-07**
 (52) **U.S. Cl.**
 USPC **D14/447**
 (58) **Field of Classification Search**
 USPC D14/447, 432, 434, 439, 440, 451, 452,
 D14/457, 239, 253; D8/363, 373, 380;
 D6/406.3, 406.4, 406.5, 406.6; D12/415
 CPC A47B 21/04; A47B 2097/006; A47B
 2097/005; A47B 2023/049; A45C
 2011/002; A45C 2011/003; F16M
 2200/00; F16M 13/00
 See application file for complete search history.

References Cited

U.S. PATENT DOCUMENTS

D535,615 S * 1/2007 Iwai D13/108
 D624,919 S * 10/2010 Bull D14/434

Primary Examiner — Angela J Lee

(74) *Attorney, Agent, or Firm* — GTC Law Group PC & Affiliates

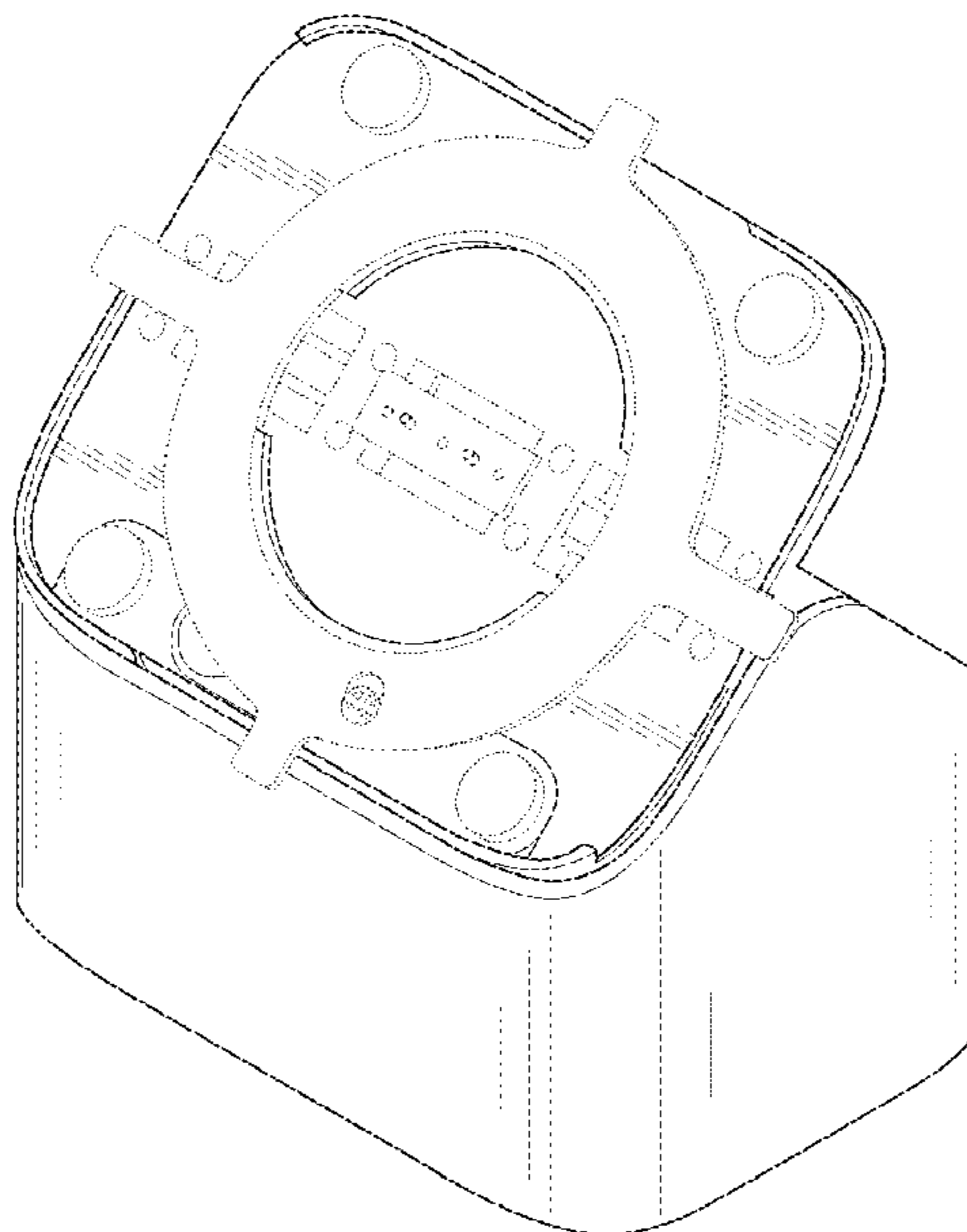
(57) **CLAIM**

The ornamental design for a tablet stand, as shown and described.

DESCRIPTION

FIG. 1 is a right, front, top perspective view of the tablet stand according to the new design;
 FIG. 2 is a front view thereof;
 FIG. 3 is a right side view thereof;
 FIG. 4 is a left view thereof;
 FIG. 5 is a rear view thereof;
 FIG. 6 is a top view thereof; and,
 FIG. 7 is a bottom view thereof.
 The broken lines in FIGS. 1-7 are for environmental purposes only and form no part of the claimed design.

1 Claim, 7 Drawing Sheets



(56)

References Cited

U.S. PATENT DOCUMENTS

D900,120 S * 10/2020 Burmester D14/447
D912,064 S * 3/2021 DeFazio D14/447

* cited by examiner

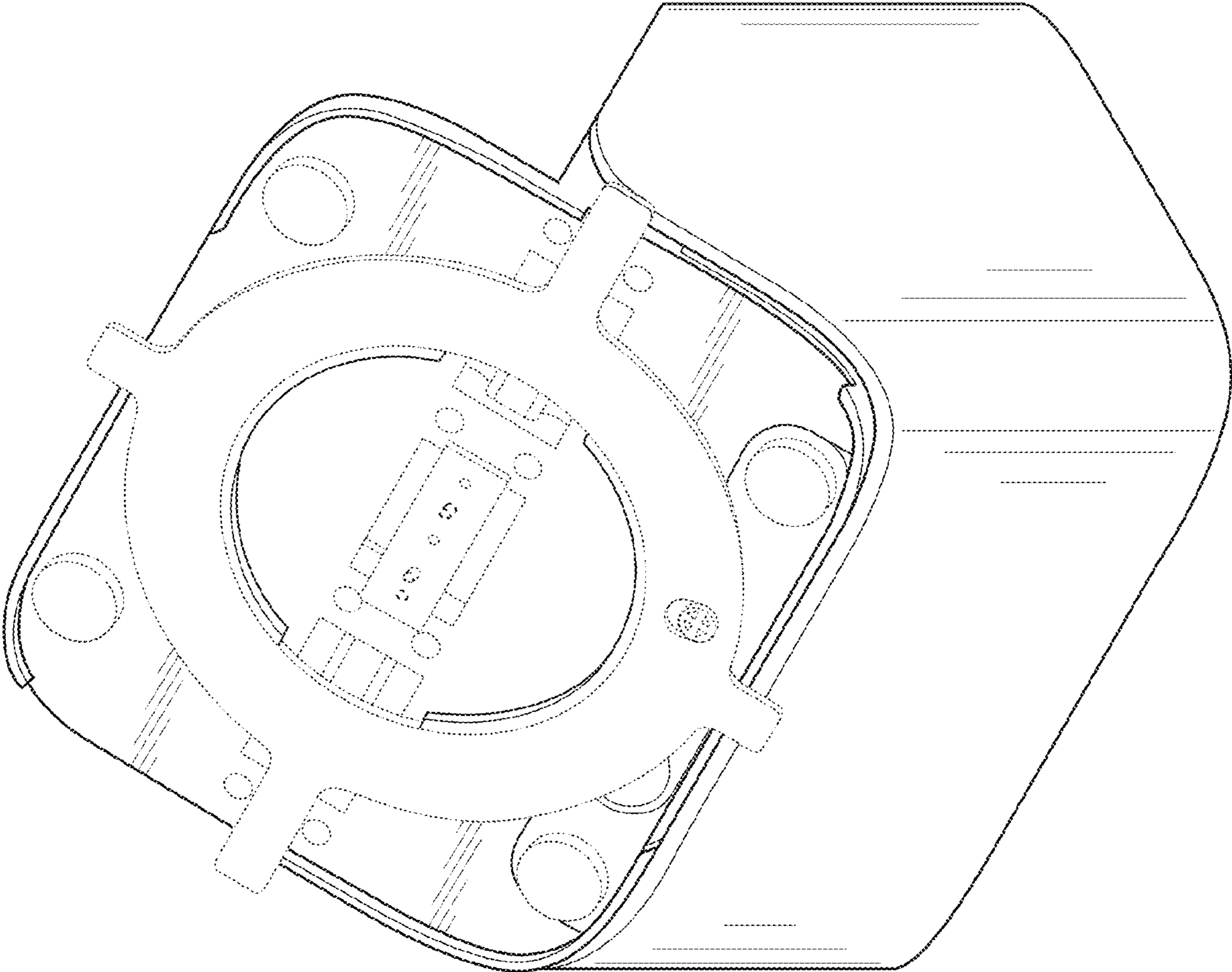


FIG. 1

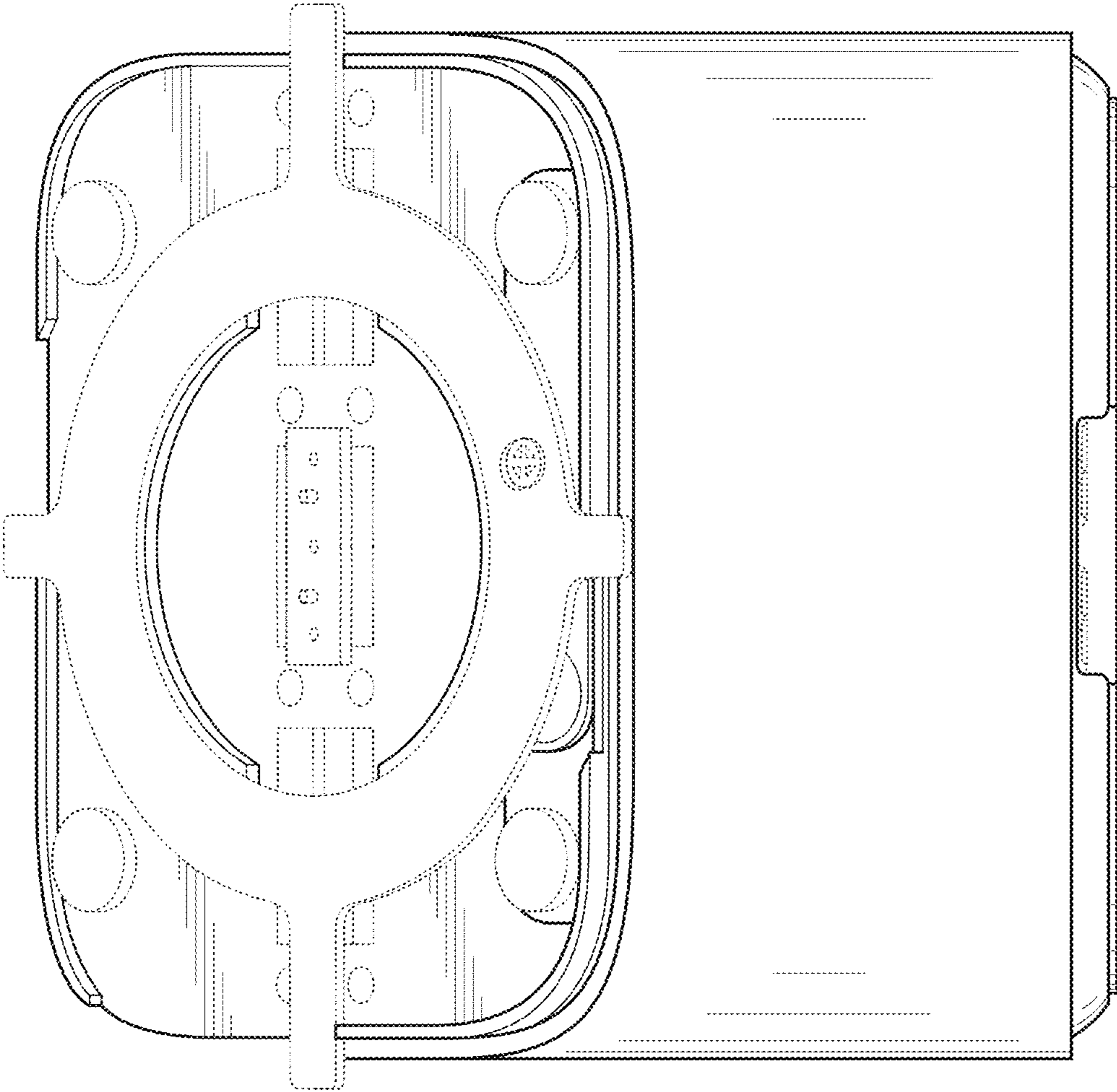


FIG. 2

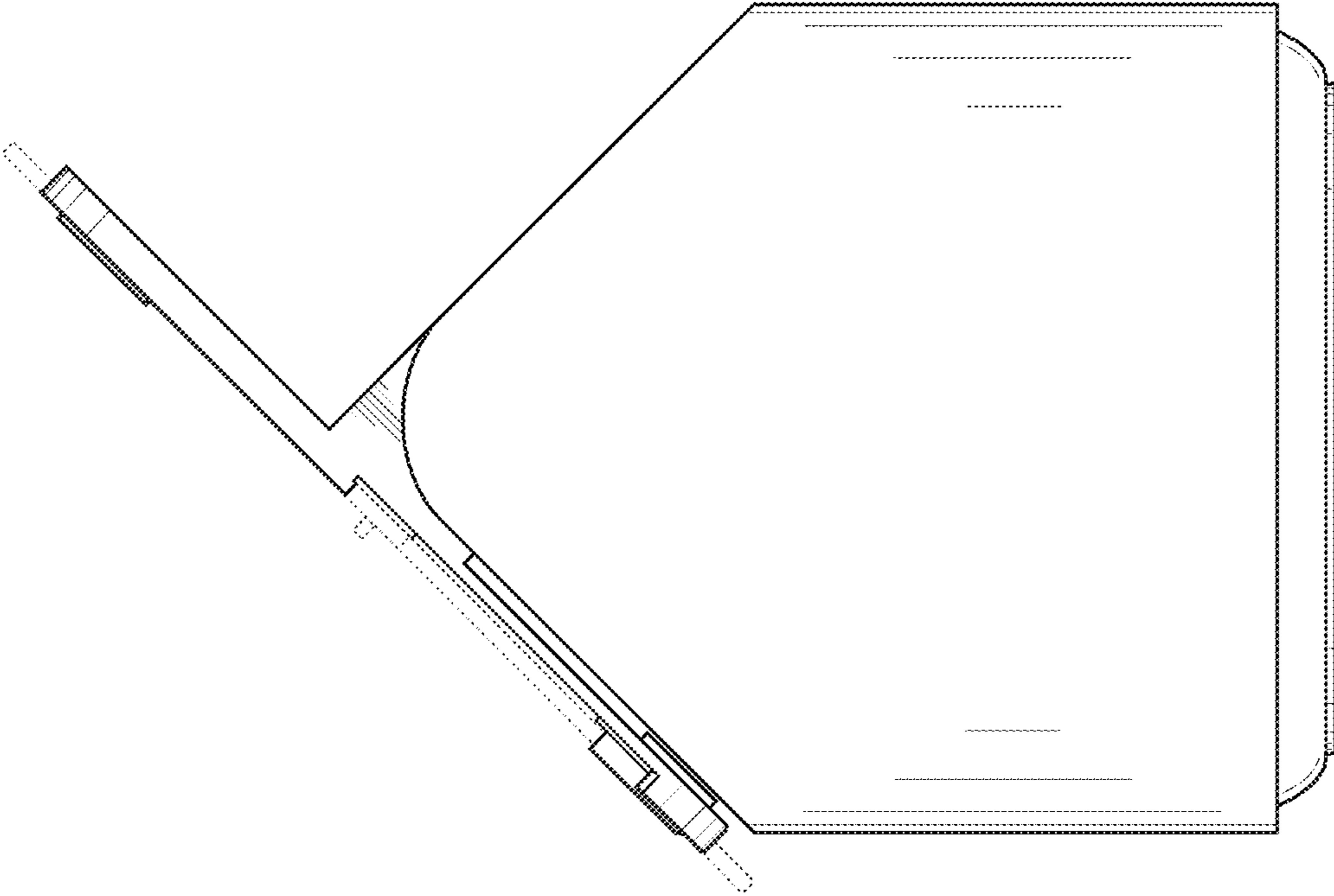


FIG. 3

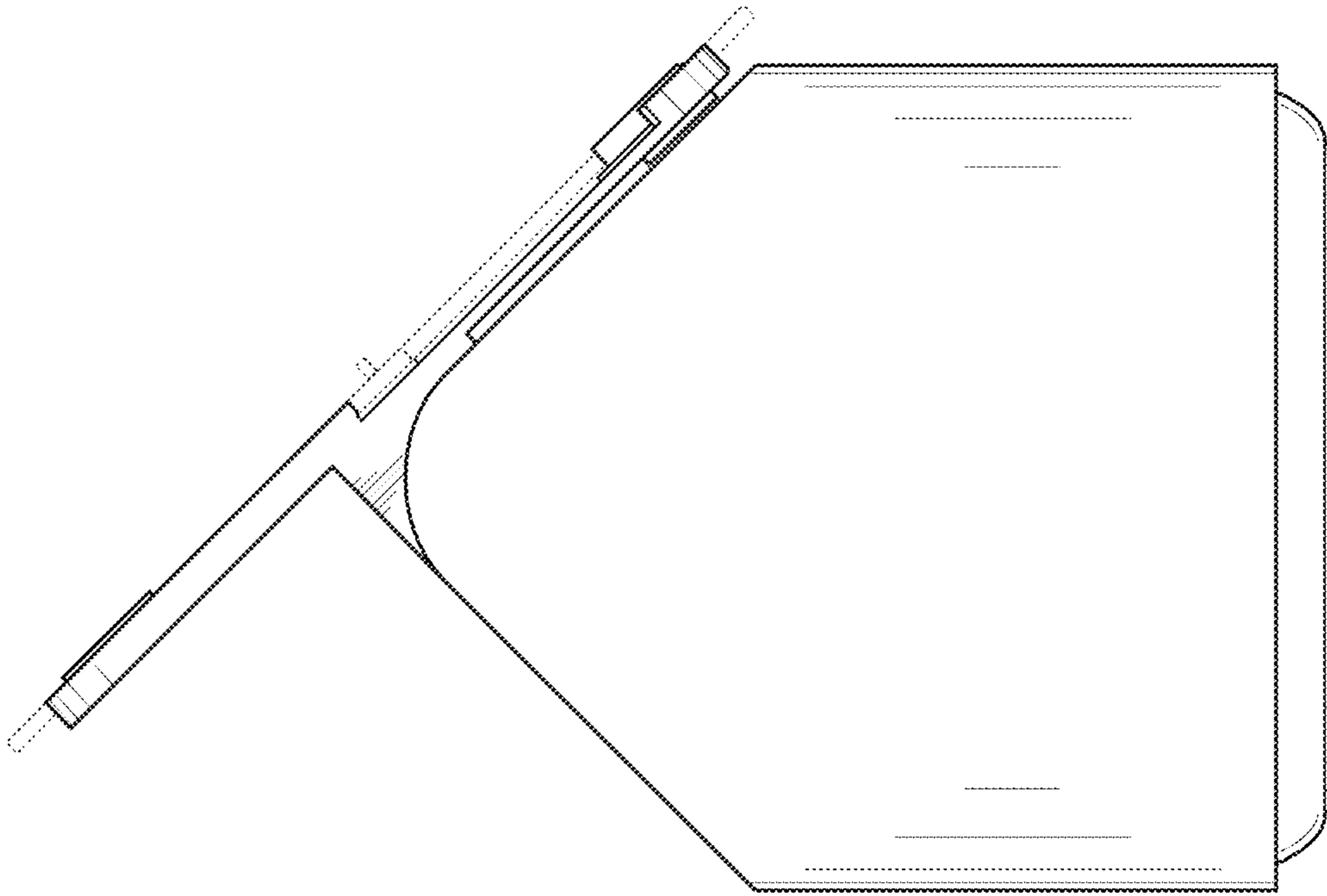


FIG. 4

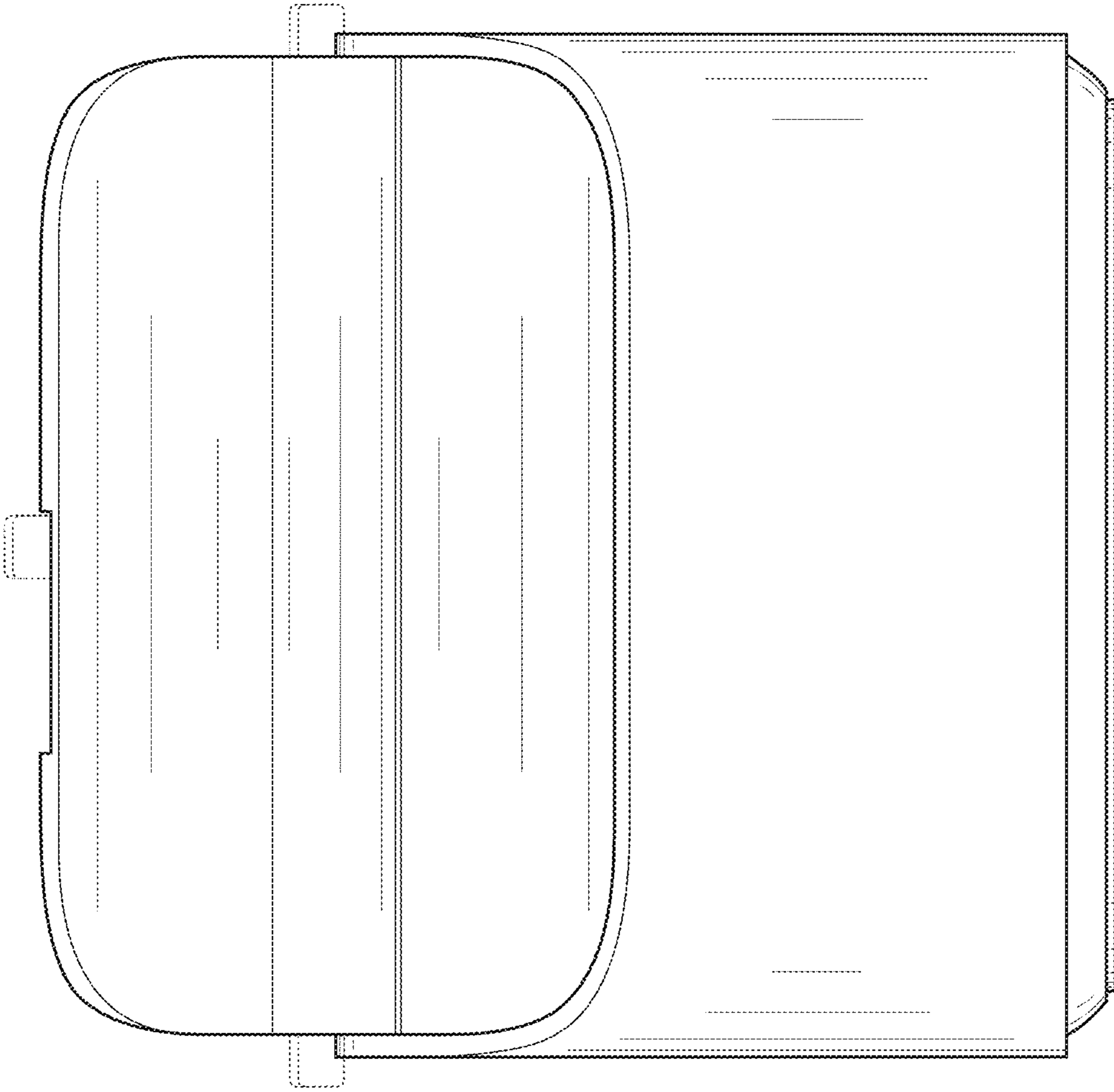


FIG. 5

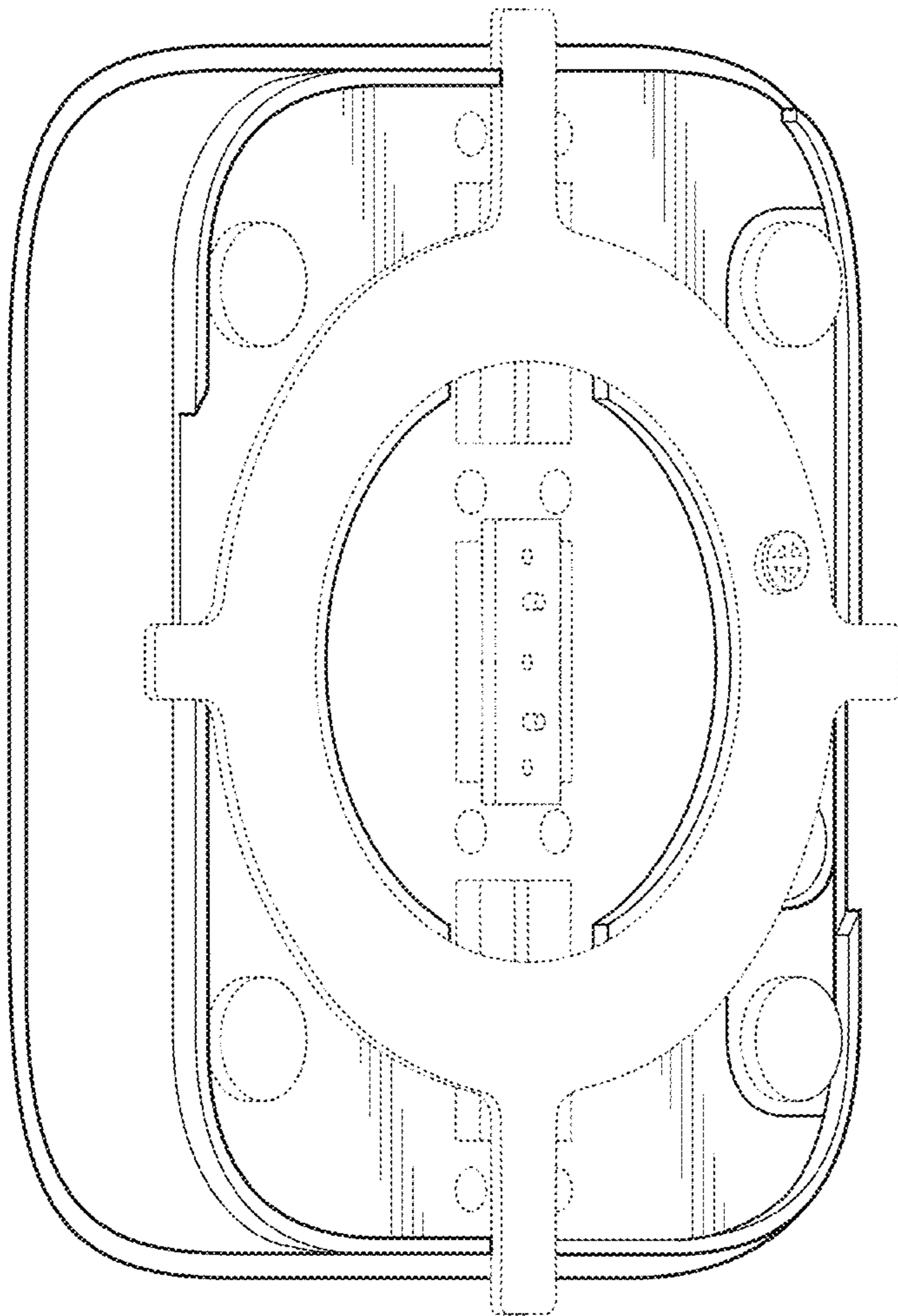


FIG. 6

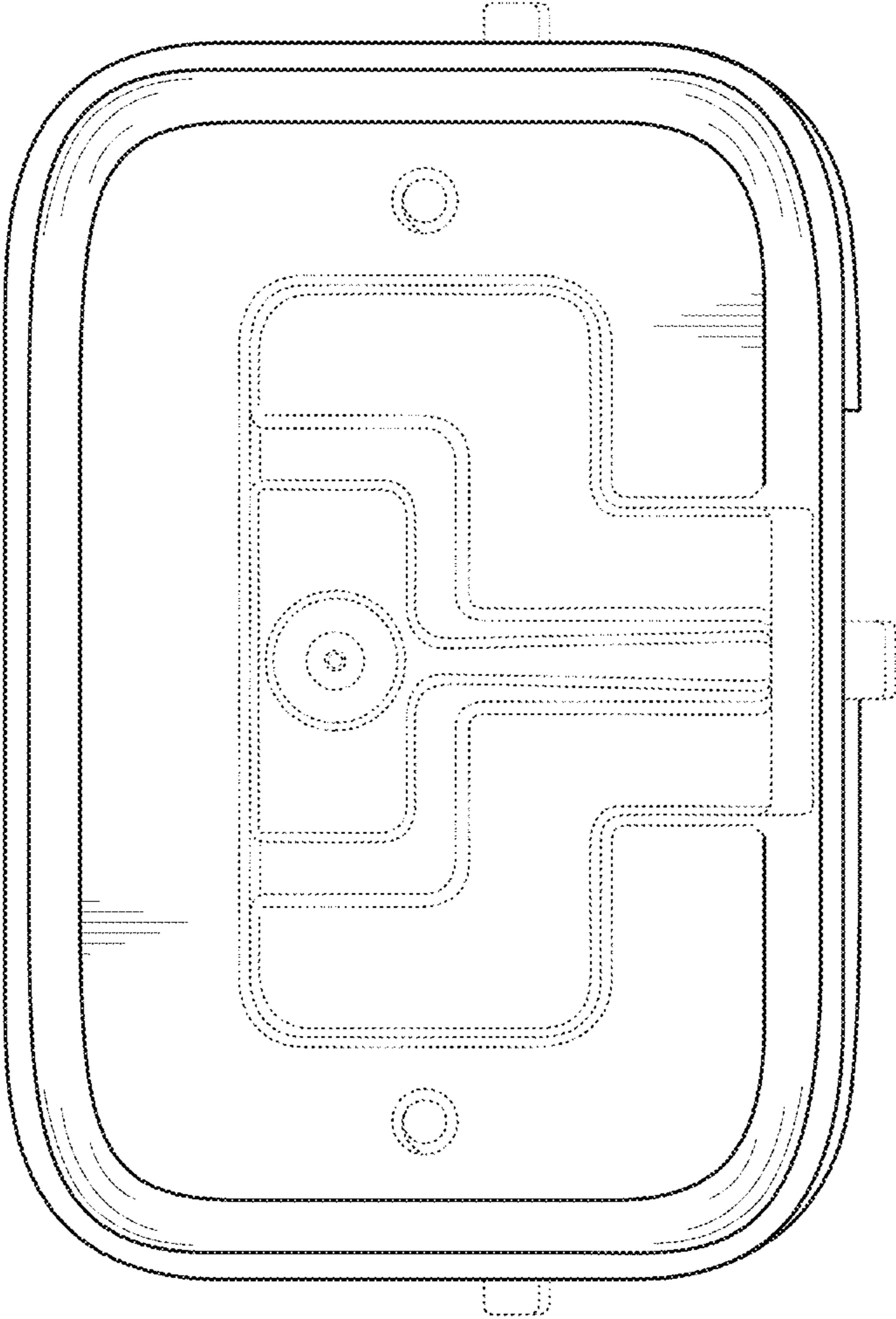


FIG. 7