



US00D934262S

(12) **United States Design Patent**
Manzano et al.

(10) **Patent No.:** **US D934,262 S**

(45) **Date of Patent:** **** Oct. 26, 2021**

(54) **CASE FOR PORTABLE ELECTRONIC
COMPUTING DEVICE**

(71) Applicant: **Pioneer Square Brands, Inc.**, Seattle,
WA (US)

(72) Inventors: **Megan Elizabeth Zumel Manzano**,
Seattle, WA (US); **Jaimie Emerald
Chan**, Renton, WA (US); **Brian Lewis
Piper**, Seattle, WA (US)

(73) Assignee: **PIONEER SQUARE BRANDS, INC.**,
McLean, VA (US)

(**) Term: **15 Years**

(21) Appl. No.: **29/770,105**

(22) Filed: **Feb. 9, 2021**

(51) **LOC (13) Cl.** **14-02**

(52) **U.S. Cl.**
USPC **D14/440**

(58) **Field of Classification Search**
USPC D14/440, 447, 250; 206/45.23, 320,
206/45.2; 361/679.55; 294/25; 224/218;
455/575.8

CPC ... G06F 1/1628; G06F 1/1626; A47B 23/044;
H04B 1/3888; A45C 11/00

See application file for complete search history.

(56) **References Cited**

U.S. PATENT DOCUMENTS

D649,144 S *	11/2011	Fathollahi	D14/250
D658,188 S	4/2012	Diebel		
D675,210 S *	1/2013	Kim	D14/440
D681,641 S	5/2013	Van Den Nieuwenhuizen et al.		
D708,621 S *	7/2014	Gifford	D14/447
D709,510 S	7/2014	Soare		
D776,122 S *	1/2017	Akana	D14/440
D776,123 S *	1/2017	Akana	D14/440

D795,880 S *	8/2017	Akana	D14/440
D804,486 S *	12/2017	Nyholm	D14/440
D808,395 S	1/2018	Fenton		
D810,732 S	2/2018	Fenton et al.		
D816,087 S	4/2018	Fenton et al.		
D817,334 S	5/2018	Fenton et al.		
D834,026 S *	11/2018	Moore	D14/440
D834,582 S *	11/2018	Zhuang	D14/440
10,148,307 B2 *	12/2018	Shannon, III	G06F 1/1628
D837,219 S	1/2019	Gao		
D837,796 S	1/2019	Kim et al.		
D852,201 S	1/2019	Chan et al.		
D841,012 S	2/2019	Kim et al.		
D841,013 S	2/2019	Ferren et al.		
D841,655 S *	2/2019	Xie	D14/440
D861,698 S	2/2019	Fenton et al.		
D844,611 S	4/2019	Ferren et al.		
D844,621 S *	4/2019	Chen	D14/440
D847,817 S	5/2019	Cheng		
D848,441 S	5/2019	Ferren et al.		
D850,452 S	6/2019	Akana et al.		

(Continued)

Primary Examiner — Cynthia R Underwood

(74) *Attorney, Agent, or Firm* — Grandview Law

(57) **CLAIM**

The ornamental design for a case for portable electronic computing device, as shown and described.

DESCRIPTION

FIG. 1 is a top perspective view of a case for portable electronic computing device showing our new design.

FIG. 2 is a front elevational view thereof.

FIG. 3 is a rear elevational view thereof.

FIG. 4 is a right elevational view thereof.

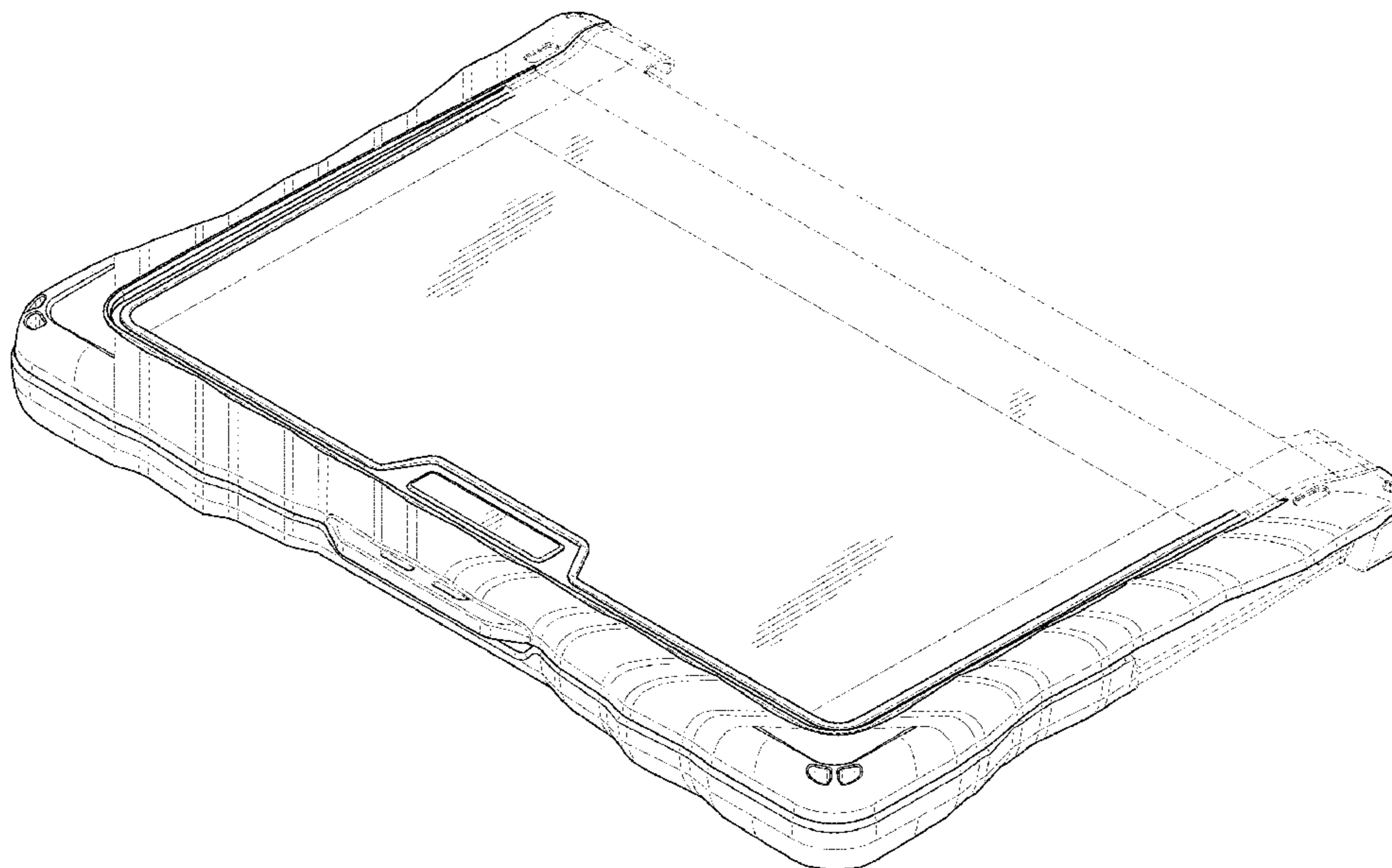
FIG. 5 is a left elevational view thereof.

FIG. 6 is a top plan view thereof; and,

FIG. 7 is a bottom plan view thereof.

The features shown in broken lines in the drawing figures depict features that form no part of the claimed design.

1 Claim, 7 Drawing Sheets



(56)

References Cited

U.S. PATENT DOCUMENTS

D850,454 S	6/2019	Kim et al.	
D851,648 S *	6/2019	Tan	D14/440
D852,199 S	6/2019	Kim et al.	
D852,200 S	6/2019	Chan et al.	
D852,802 S	7/2019	Gao	
D863,314 S	7/2019	Chan et al.	
D863,315 S	7/2019	Chan et al.	
D864,210 S	7/2019	Chan et al.	
D856,340 S *	8/2019	Tur	D14/440
D856,341 S *	8/2019	Tur	D14/440
D857,022 S *	8/2019	Tur	D14/440
D863,316 S	9/2019	Chan et al.	
D862,480 S	10/2019	Chan et al.	
D863,317 S	10/2019	Piper et al.	
D868,789 S	12/2019	Weng	
D868,790 S	12/2019	Weng	
D868,791 S *	12/2019	Weng	D14/440
D874,467 S *	2/2020	Piper	D14/440
D875,098 S *	2/2020	Duffy	D14/440
D881,895 S	4/2020	Liu	
D883,989 S	5/2020	Cheng	
D888,063 S	6/2020	Chan et al.	
D888,718 S	6/2020	Xu	
D888,719 S *	6/2020	Moore	D14/440
D892,804 S	8/2020	Lin	
D892,805 S *	8/2020	Piper	D14/440
D892,806 S	8/2020	Manazo et al.	
D895,630 S	9/2020	Piper et al.	
D902,934 S	11/2020	Manzano et al.	
D903,685 S *	12/2020	Wright	D14/440
D905,698 S	12/2020	Wall	
D905,699 S	12/2020	Hyun	
D906,334 S	12/2020	Du	
D906,338 S	12/2020	Hyun	
D906,341 S	12/2020	Jiao	
D907,638 S	1/2021	Yang	
D908,129 S	1/2021	Nyholm et al.	
D908,132 S	1/2021	Poon	
D908,708 S	1/2021	Miller et al.	
D910,025 S *	2/2021	Giazzon	D14/440
D912,131 S *	3/2021	Laza	D18/12
D913,295 S *	3/2021	Piper	D14/440
D920,147 S *	5/2021	Liu	D10/132
D922,392 S *	6/2021	Chan	D14/440
D924,876 S *	7/2021	Chan	D14/440
11,071,215 B1 *	7/2021	Manzano	H05K 5/0217
2011/0297578 A1 *	12/2011	Stiehl	A45F 5/00 206/701
2012/0182678 A1 *	7/2012	Wu	A45F 5/10 361/679.01
2012/0257340 A1 *	10/2012	Kim	H04B 1/3888 361/679.01
2013/0341222 A1 *	12/2013	Lin	B65D 75/322 206/320

* cited by examiner

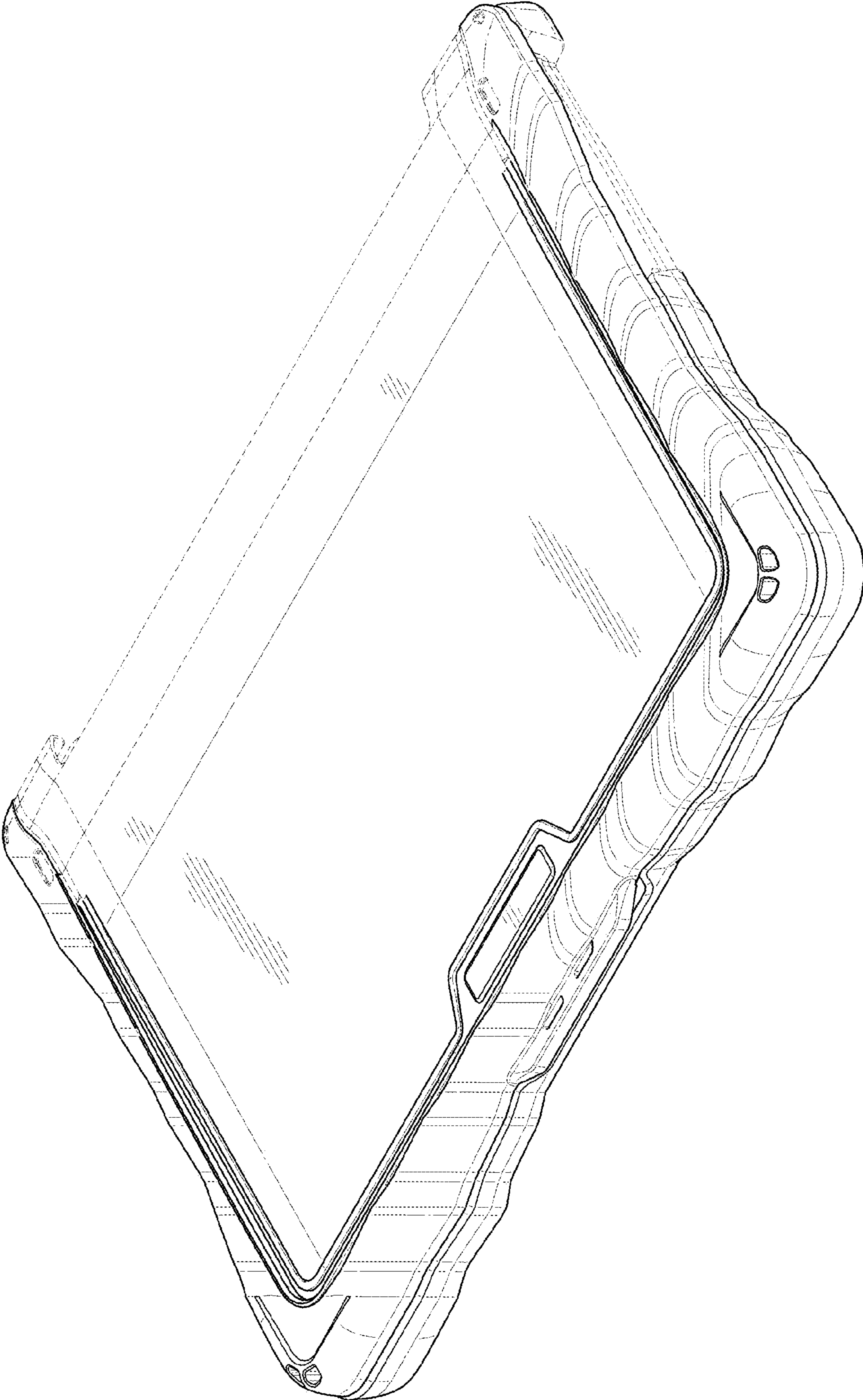


FIG. 1

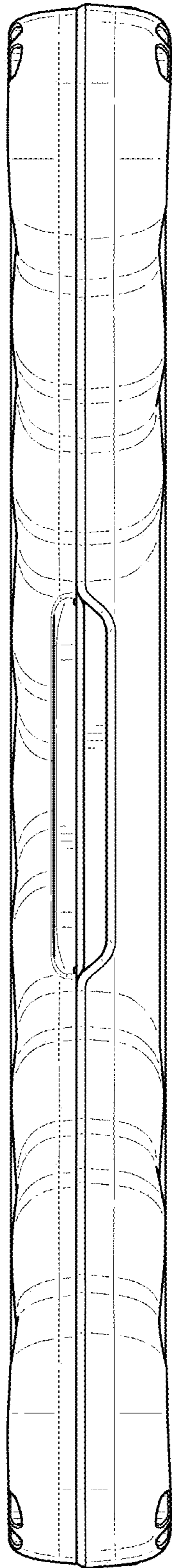


FIG. 2

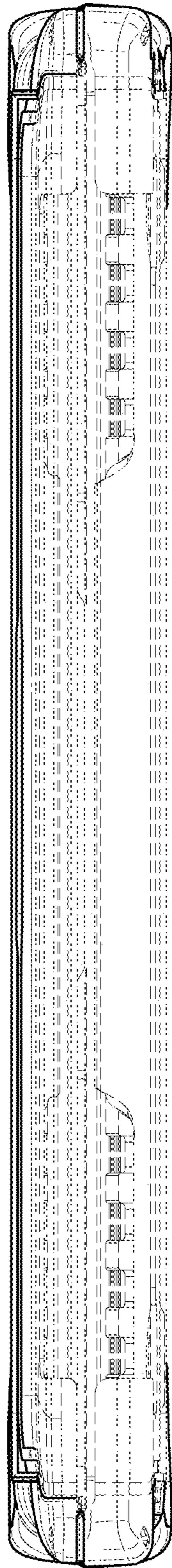


FIG. 3

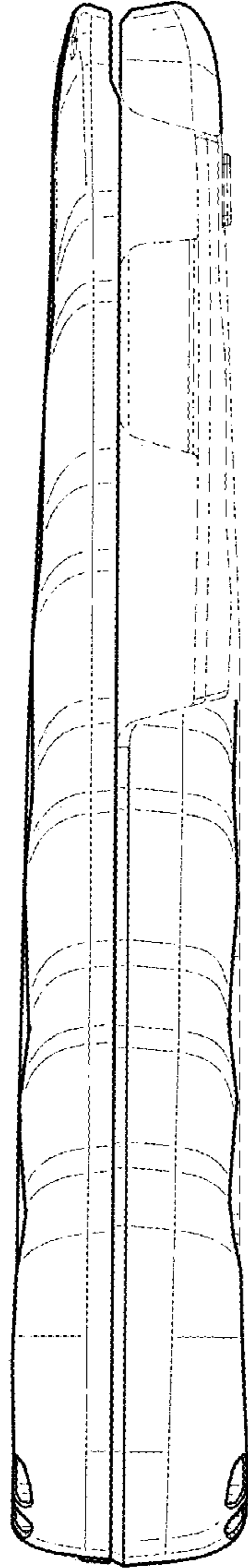


FIG. 4

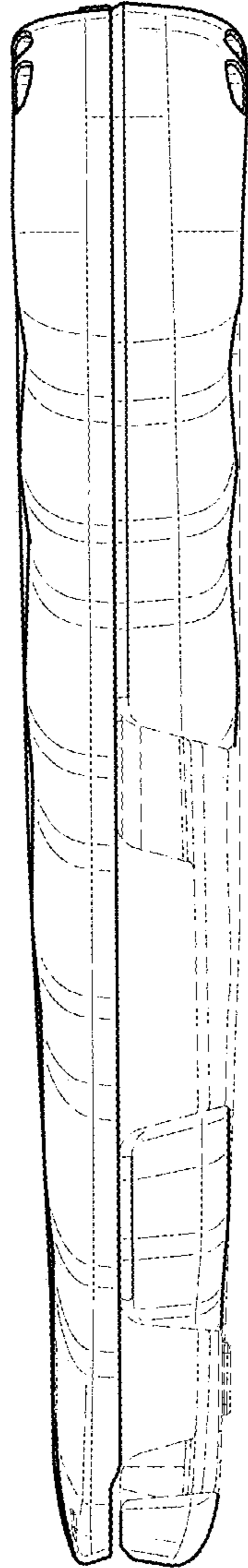


FIG. 5

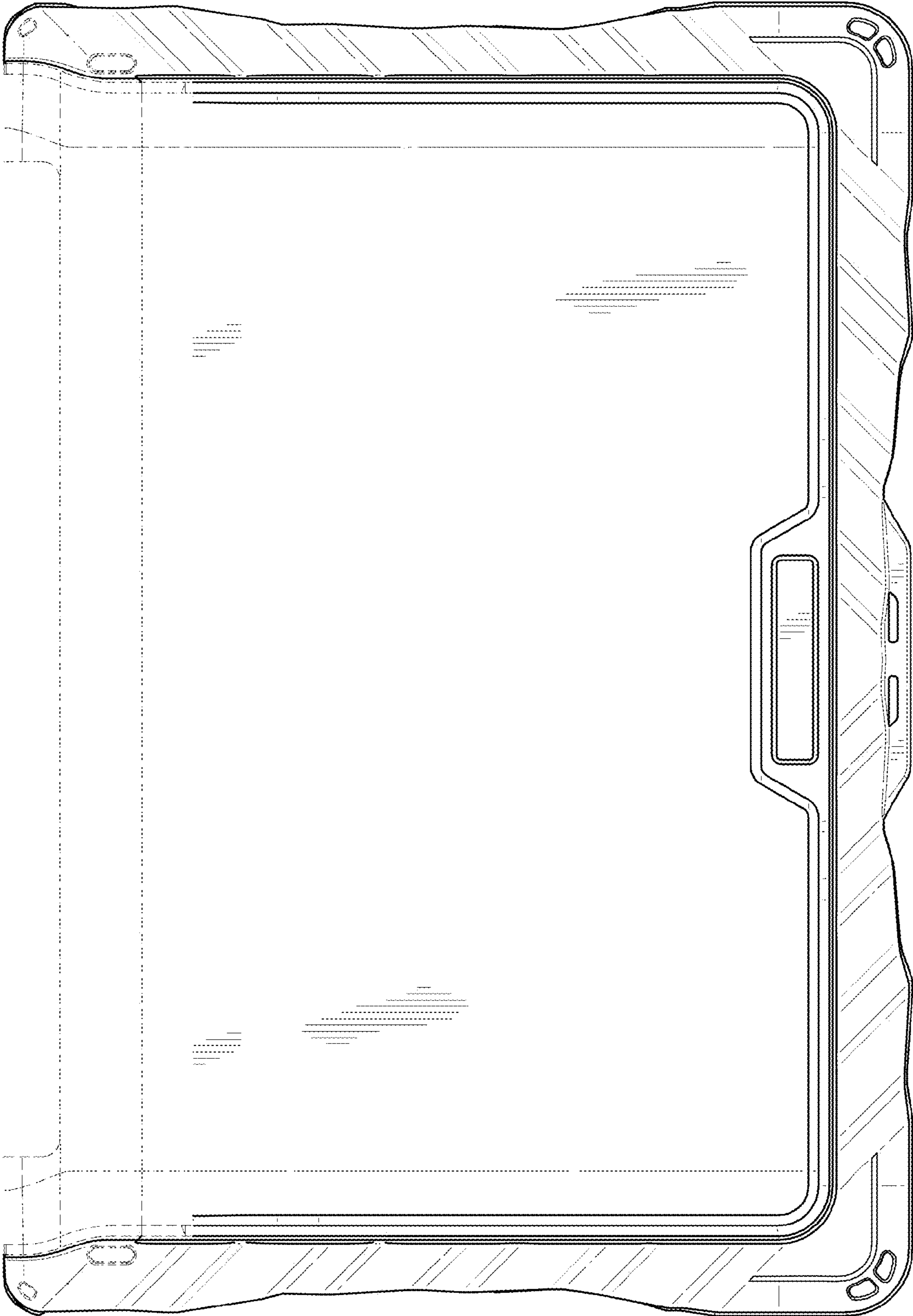


FIG. 6

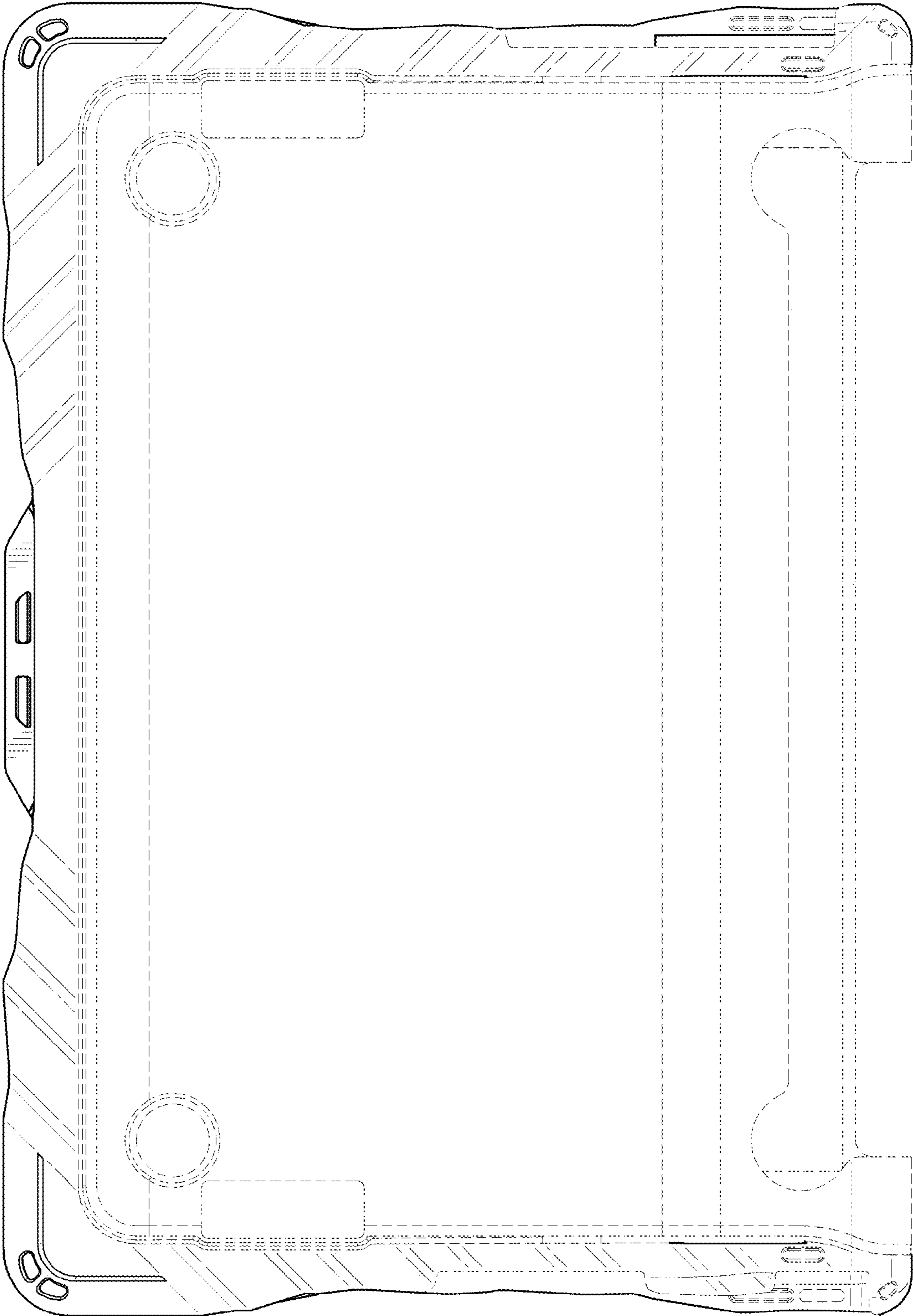


FIG. 7