

US00D934259S

(12) **United States Design Patent**  
**Harju et al.**

(10) **Patent No.:** **US D934,259 S**

(45) **Date of Patent:** **\*\* Oct. 26, 2021**

(54) **COMPUTER MOUNTING DOCK**

(71) Applicant: **Microsoft Corporation**, Redmond, WA (US)

(72) Inventors: **Jonne Aapi Harju**, Seattle, WA (US);  
**Young Soo Kim**, Bellevue, WA (US);  
**Kae-Ling J. Gurr**, Seattle, WA (US);  
**Ryan Eugene Whitaker**, Seattle, WA (US);  
**Timothy G. Escolin**, Seattle, WA (US);  
**Yan Shang**, Redmond, WA (US)

(73) Assignee: **Microsoft Corporation**, Redmond, WA (US)

(\*\*) Term: **15 Years**

(21) Appl. No.: **29/689,647**

(22) Filed: **Apr. 30, 2019**

(51) **LOC (13) Cl.** ..... **14-02**

(52) **U.S. Cl.**  
USPC ..... **D14/434**

(58) **Field of Classification Search**  
USPC ..... D14/356, 358, 432, 434, 447, 149, 168,  
D14/217, 224, 224.1, 238.1, 251, 252,  
D14/253, 125, 126, 239, 392, 455;  
D13/107, 108, 146  
CPC ..... G06F 1/16; G06F 1/1626; G06F 1/1632;  
G06F 1/1675; G06F 1/1688; F16M 11/10;  
F16M 11/24; H05K 5/0234; H04M 1/04  
See application file for complete search history.

(56) **References Cited**

U.S. PATENT DOCUMENTS

D395,641 S \* 6/1998 Gaete ..... D14/447  
D694,182 S \* 11/2013 Lee ..... D13/108  
D718,234 S \* 11/2014 Rautiainen ..... D13/108  
D718,236 S \* 11/2014 Murray ..... D13/108

D726,672 S \* 4/2015 Olodort ..... D14/138 G  
D738,303 S \* 9/2015 Symons ..... D13/108  
D740,750 S \* 10/2015 Mayden ..... D13/108  
D741,256 S \* 10/2015 Murphy-Reinhertz ..... D13/108  
D741,306 S \* 10/2015 Kester ..... D14/248  
D741,307 S \* 10/2015 Kester ..... D14/248  
D772,813 S \* 11/2016 Wahl ..... D13/108  
D806,020 S \* 12/2017 Lu ..... D13/107  
D817,268 S \* 5/2018 Symons ..... D13/108  
D850,367 S \* 6/2019 Xiong ..... D13/108  
D850,371 S \* 6/2019 Yun ..... D13/108  
10,328,748 B1 \* 6/2019 Kim ..... B60B 3/145  
D886,821 S \* 6/2020 Escolin ..... D14/375  
D900,027 S \* 10/2020 Reilly ..... D13/108  
D905,632 S \* 12/2020 Nauroy ..... D13/108  
2015/0091500 A1 \* 4/2015 Claudepierre ..... H02J 50/10  
320/108

\* cited by examiner

*Primary Examiner* — Rebekah A Caruso

(74) *Attorney, Agent, or Firm* — Banner & Witcoff, Ltd.

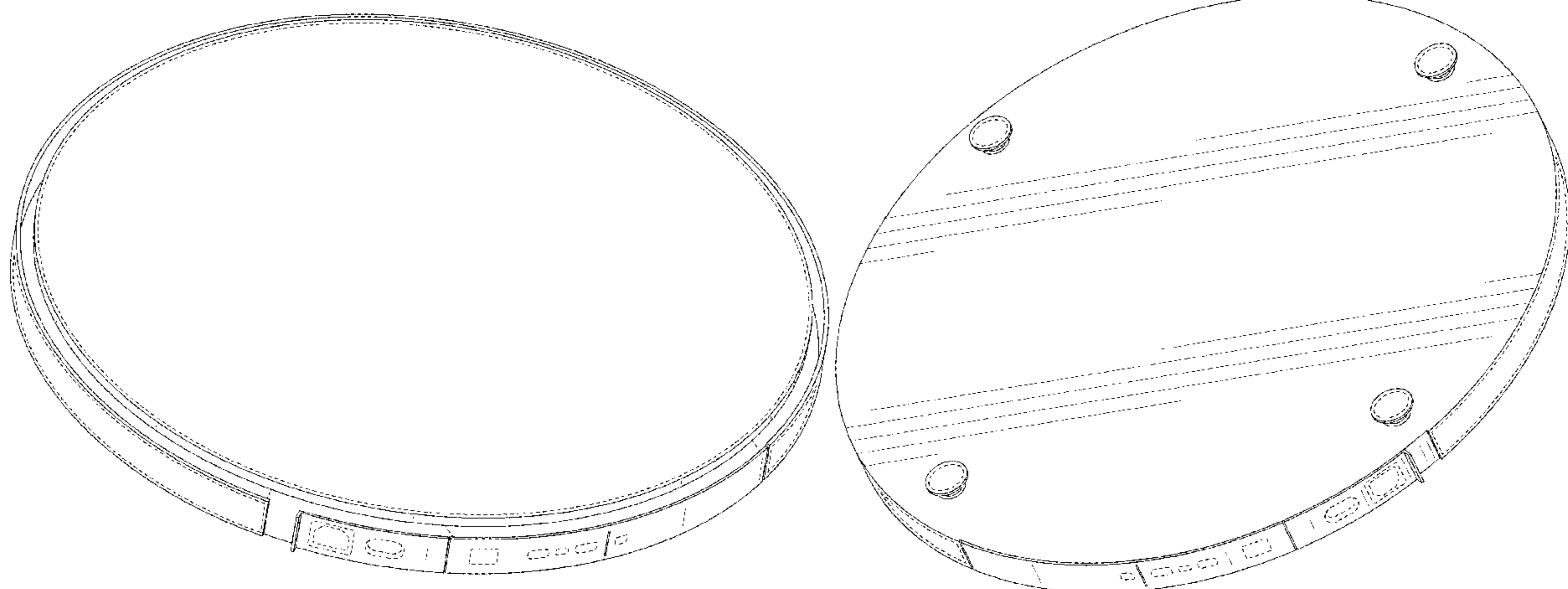
(57) **CLAIM**

The ornamental design for a computer mounting dock, as shown and described.

**DESCRIPTION**

FIG. 1 is a front perspective view of a computer mounting dock, showing our new design;  
FIG. 2 is a rear perspective view thereof;  
FIG. 3 is another rear perspective view thereof;  
FIG. 4 is a top view thereof;  
FIG. 5 is a bottom view thereof;  
FIG. 6 is a front view thereof;  
FIG. 7 is a rear view thereof;  
FIG. 8 is a left side view thereof; and,  
FIG. 9 is a right side view thereof.  
The broken lines show portions of the computer mounting dock that form no part of the claimed design.

**1 Claim, 7 Drawing Sheets**



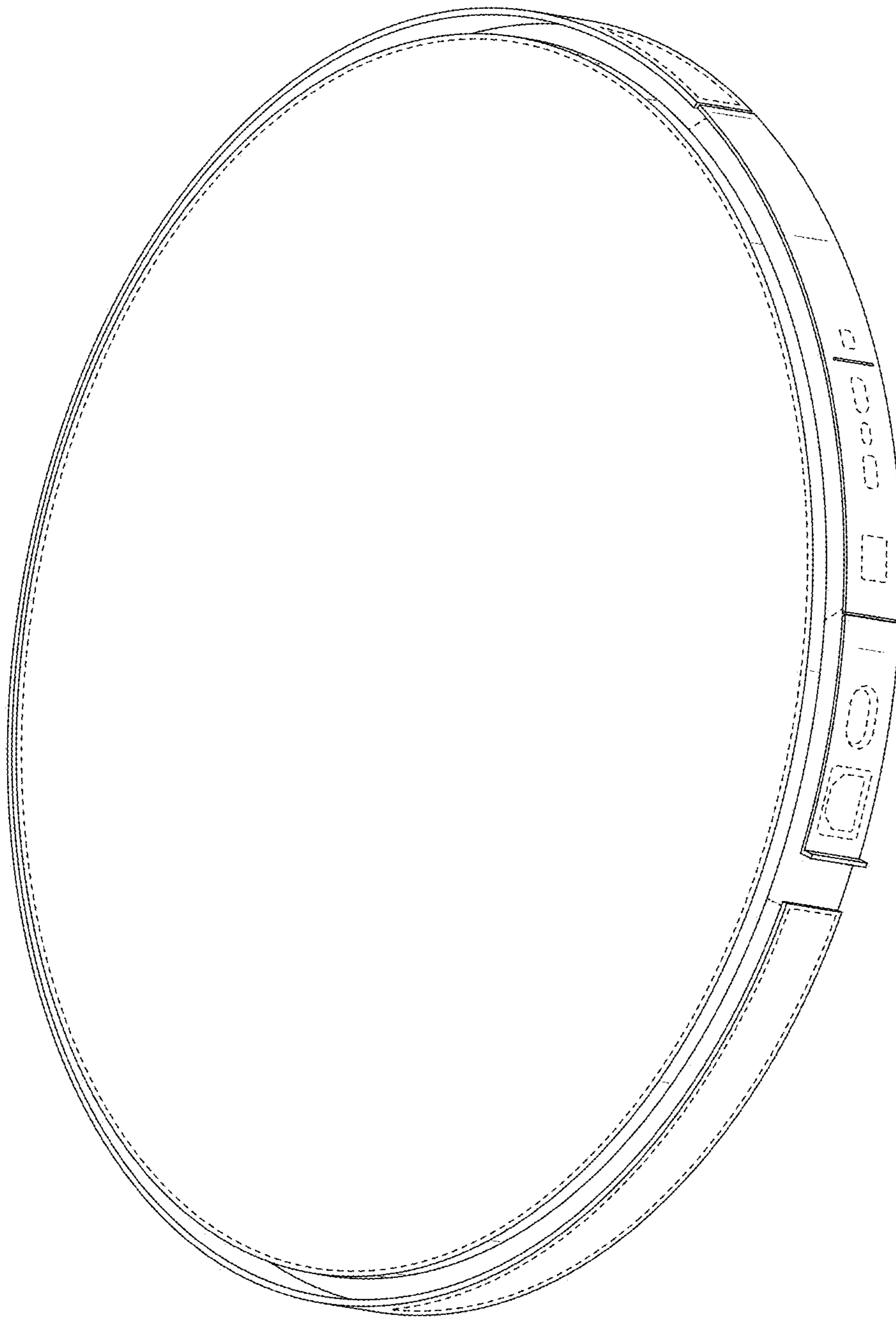


FIG. 1

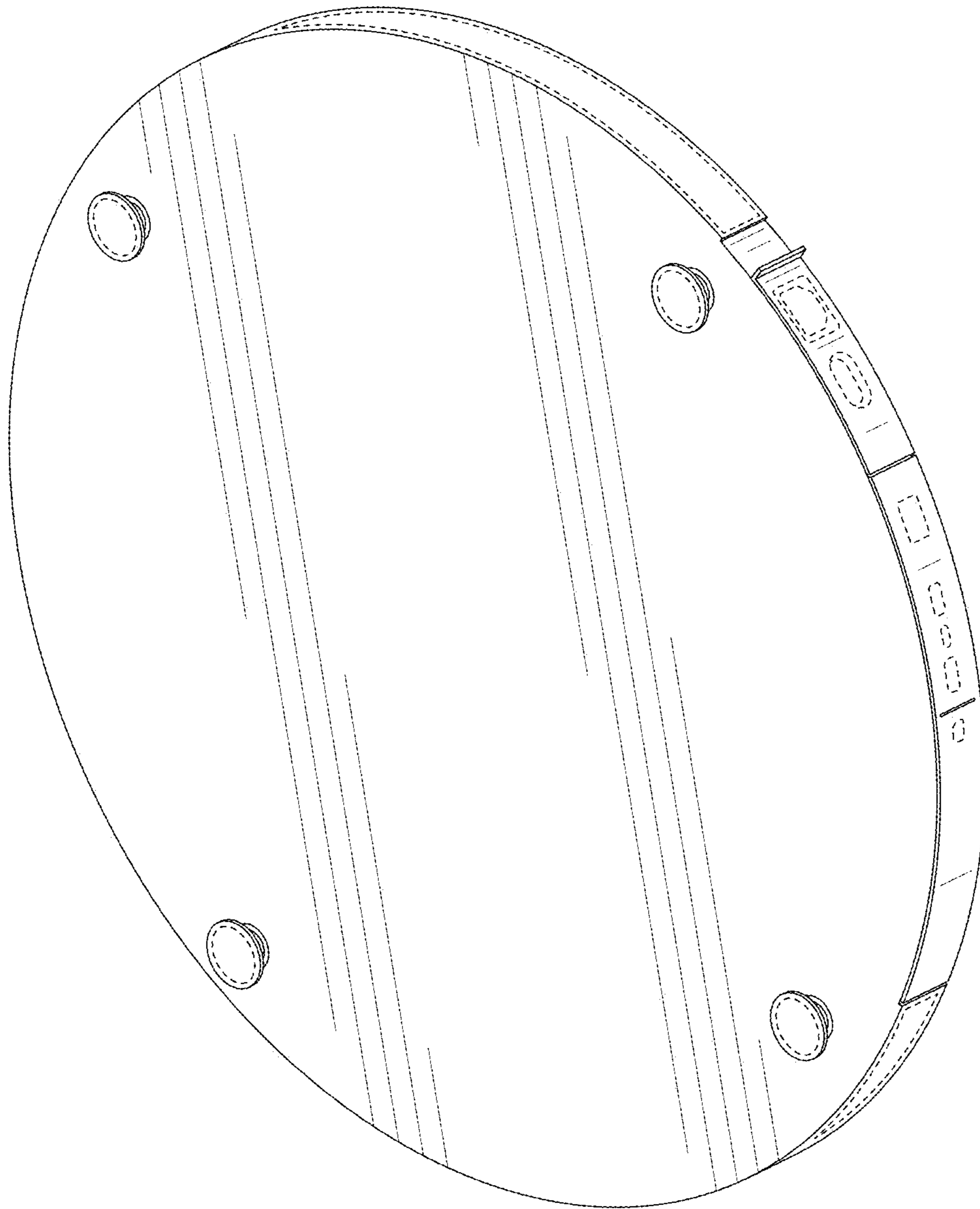


FIG. 2

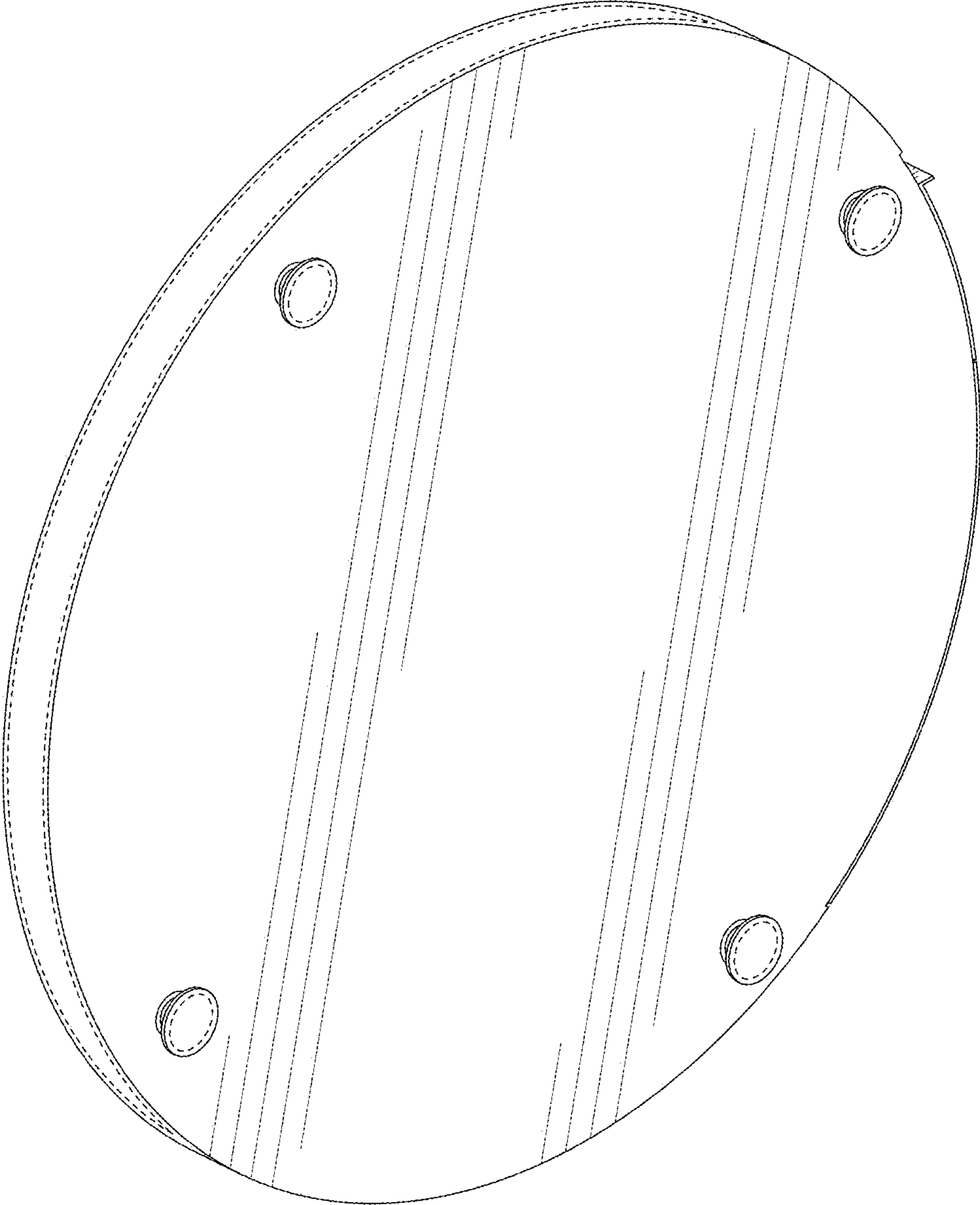


FIG. 3

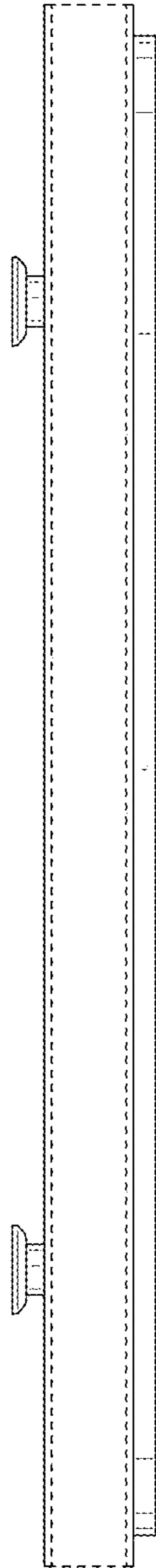


FIG. 4

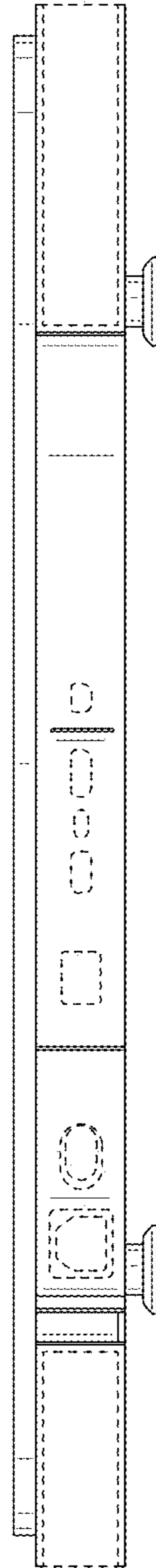


FIG. 5

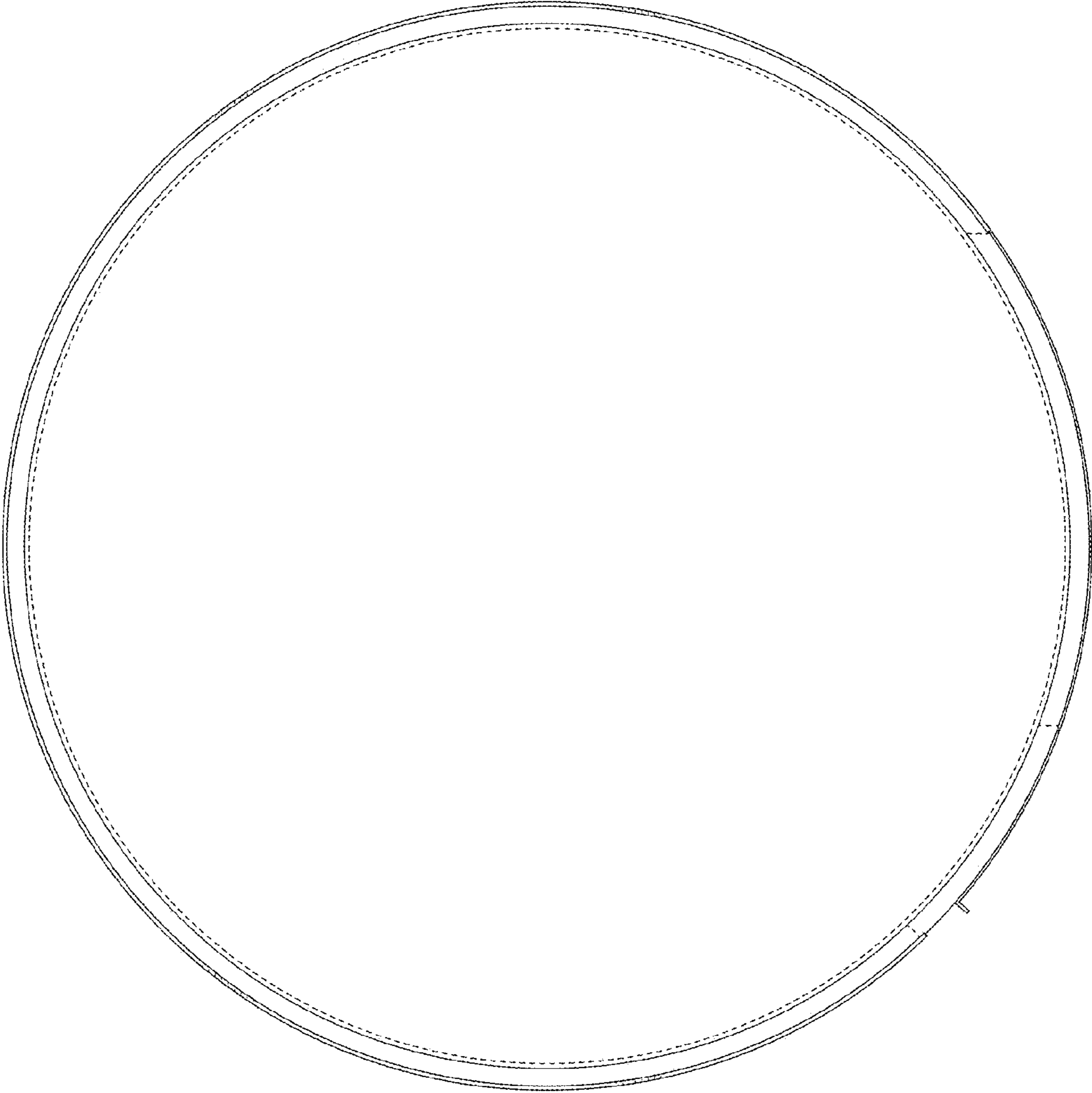


FIG. 6

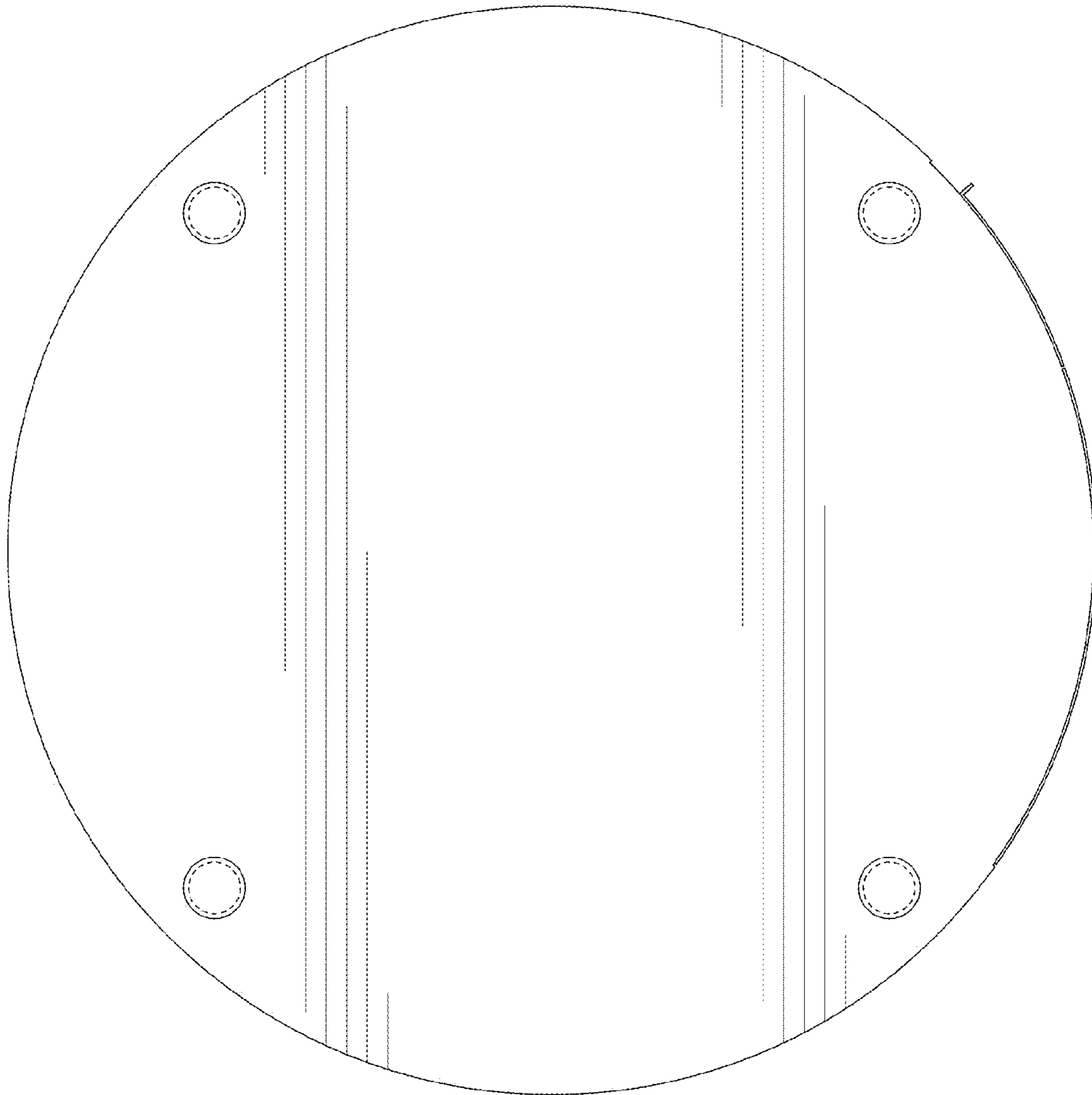


FIG. 7

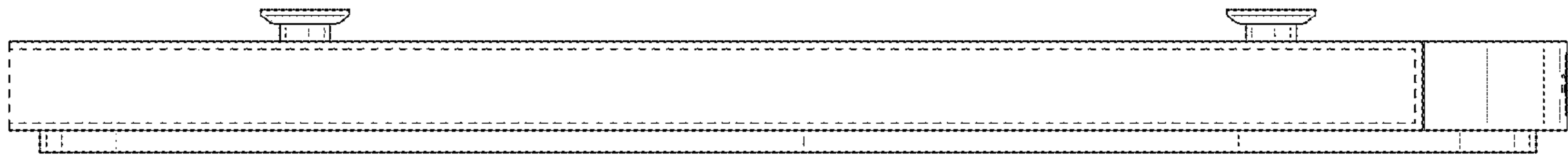


FIG. 9

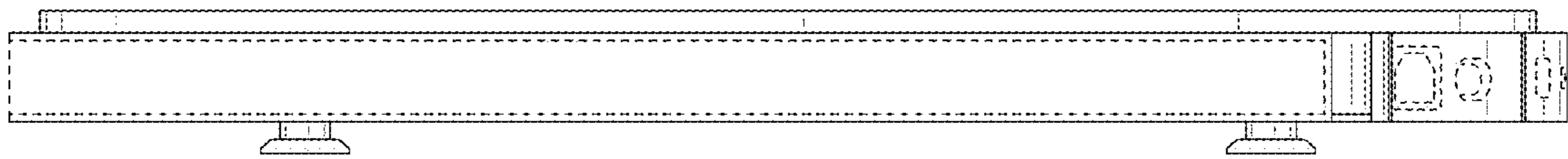


FIG. 8