

US00D934257S

(12) **United States Design Patent**
Zhang

(10) **Patent No.:** **US D934,257 S**

(45) **Date of Patent:** **** Oct. 26, 2021**

(54) **MULTI-FUNCTION HUB**

(71) Applicant: **C-SMARTLINK INFORMATION TECHNOLOGY CO., LIMITED**,
Shenzhen (CN)

(72) Inventor: **Wenfeng Zhang**, Shenzhen (CN)

(73) Assignee: **C-SMARTLINK INFORMATION TECHNOLOGY CO., LIMITED**,
Shenzhen (CN)

(**) Term: **15 Years**

(21) Appl. No.: **29/721,011**

(22) Filed: **Jan. 17, 2020**

(51) **LOC (13) Cl.** **14-99**

(52) **U.S. Cl.**
USPC **D14/433**

(58) **Field of Classification Search**
USPC ... D14/432, 433, 434, 435, 435.1, 436, 439,
D14/480.1–480.7, 484.1, 203.1–203.8,
D14/240, 242; D13/107, 108
CPC G06F 13/122; G06F 13/382; G06F 13/385;
G06F 13/4022; G06F 13/4282; G06F
1/1632; G06F 1/1684; H01R 25/006;
H05K 5/0278; G06K 19/07732
See application file for complete search history.

(56) **References Cited**

U.S. PATENT DOCUMENTS

D798,301 S * 9/2017 Kujawski D14/433
D824,387 S * 7/2018 Oberpriller D14/433
D828,840 S * 9/2018 Zhang D14/433

D828,841 S * 9/2018 Zhang D14/433
D858,529 S * 9/2019 Oberpriller D14/433
D878,300 S * 3/2020 Lyu D13/139.8
D880,479 S * 4/2020 Liao D14/433
D880,481 S * 4/2020 Liao D14/433
D893,487 S * 8/2020 Liao D14/433
D905,063 S * 12/2020 Liu D14/434
D920,980 S * 6/2021 Zhang D14/433
D924,874 S * 7/2021 Yang D14/434

FOREIGN PATENT DOCUMENTS

CN 305878387 * 6/2020
CN 306663022 * 7/2021
EM 008443808-0001 * 3/2021

* cited by examiner

Primary Examiner — Rebekah A Caruso

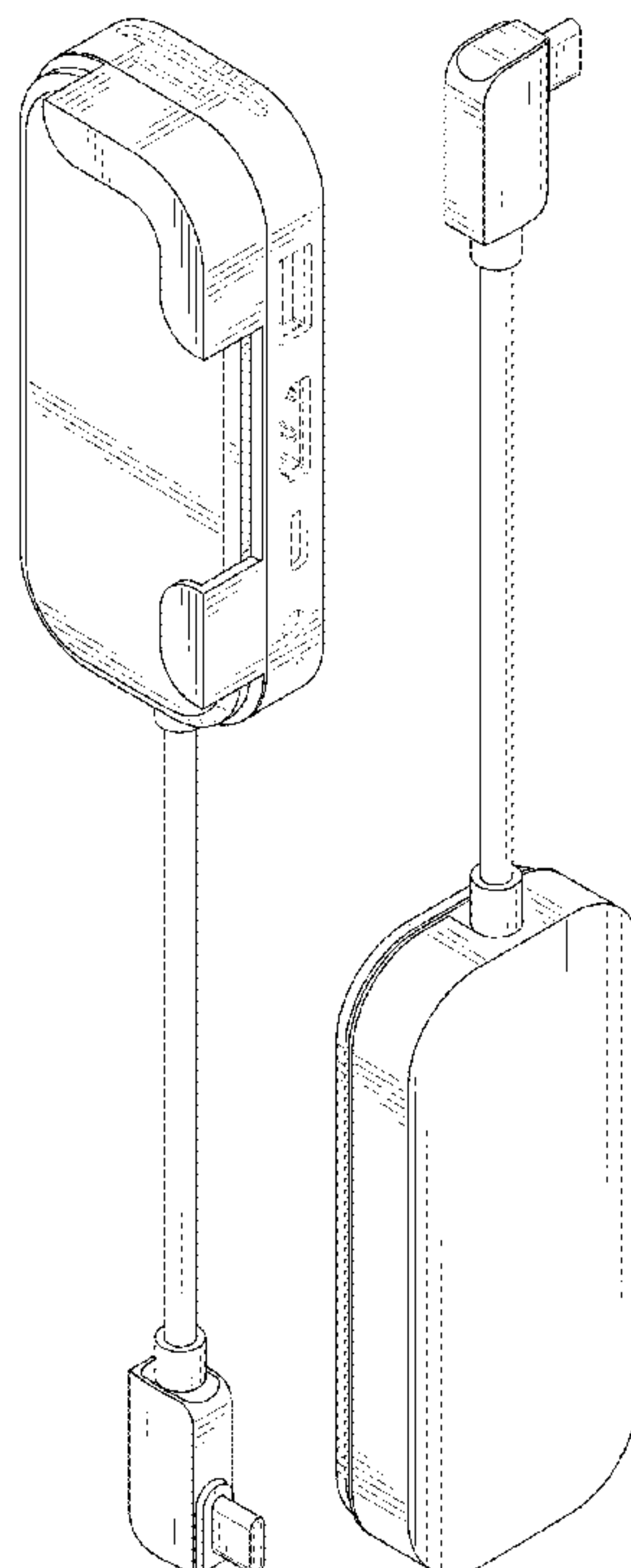
(57) **CLAIM**

The ornamental design for a multi-function hub, as shown and described.

DESCRIPTION

FIG. 1 is a perspective view of a multi-function hub showing my new design;
FIG. 2 is another perspective view thereof;
FIG. 3 is a front elevational view thereof;
FIG. 4 is a rear elevational view thereof;
FIG. 5 is a left side elevational view thereof;
FIG. 6 is a right side elevational view thereof;
FIG. 7 is a top plan view thereof; and,
FIG. 8 is a bottom plan view thereof.
The broken lines in the drawings are for the purpose of illustrating portions of the multi-function hub that form no part of the claimed design.

1 Claim, 8 Drawing Sheets



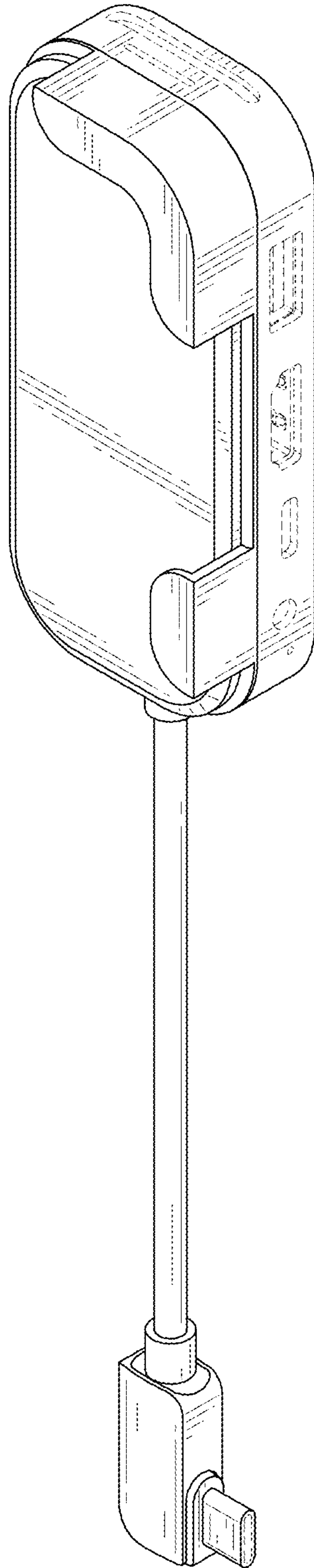


FIG. 1

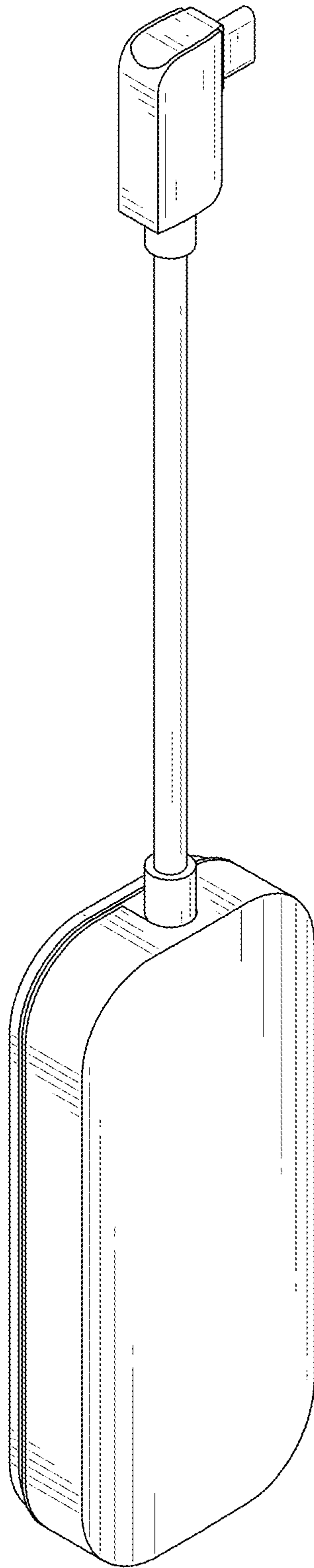


FIG. 2

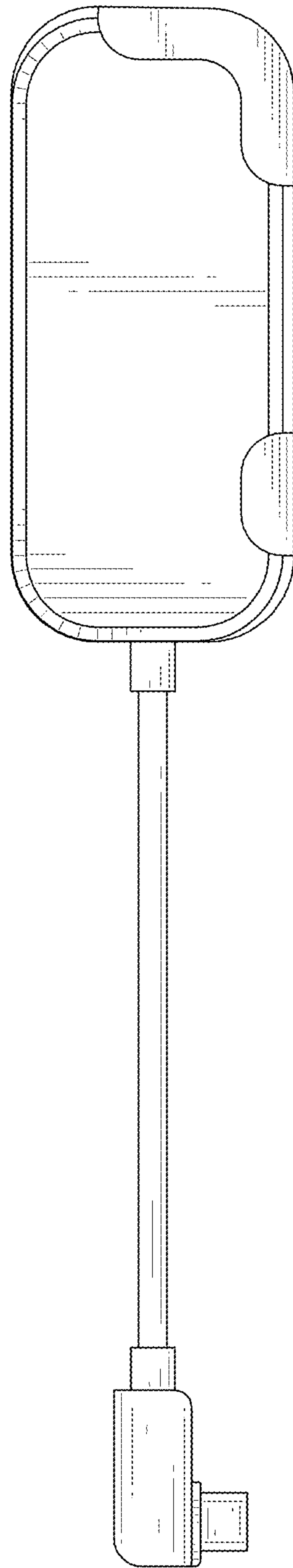


FIG. 3

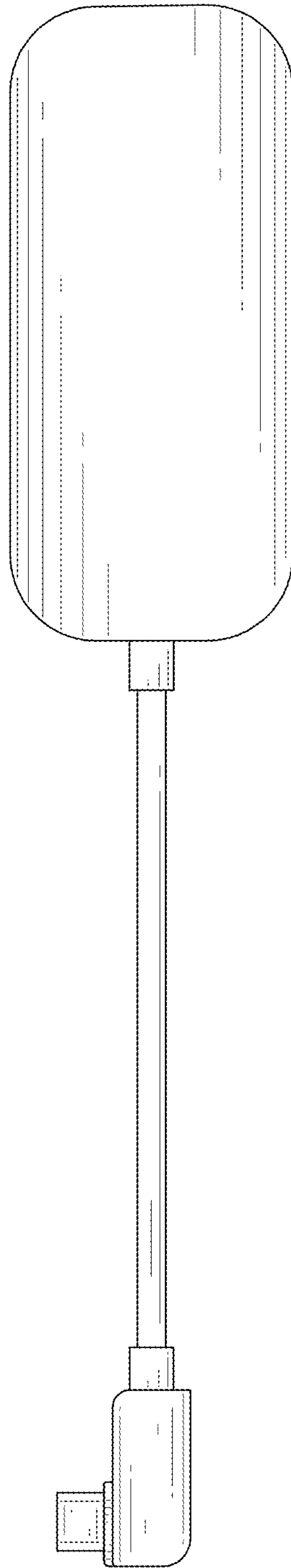


FIG. 4

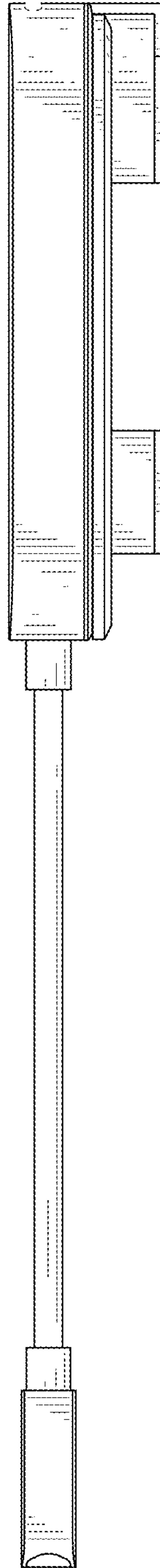


FIG. 5

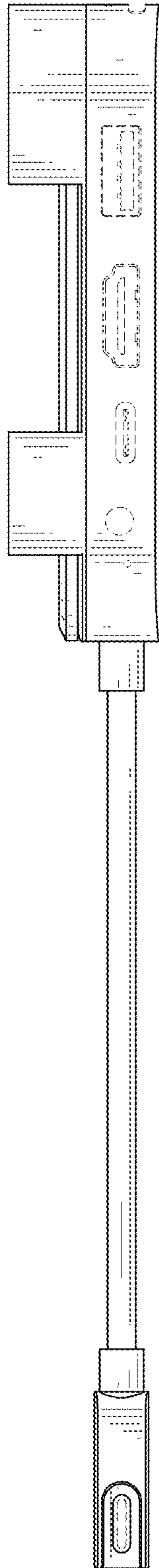


FIG. 6

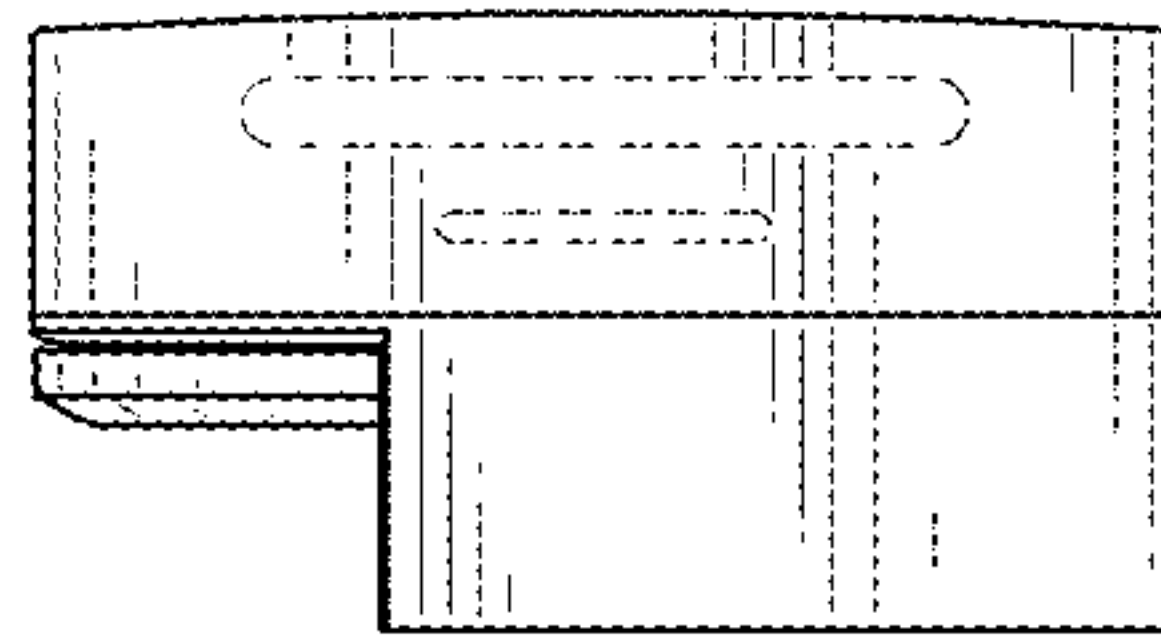


FIG. 7

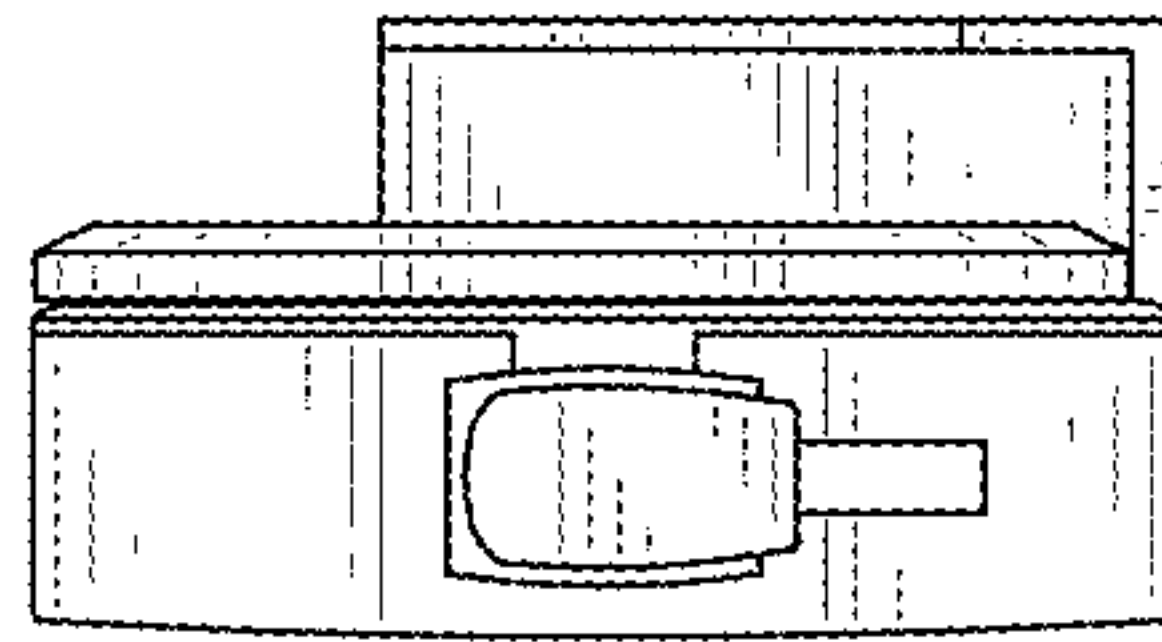


FIG. 8