



US00D934254S

(12) **United States Design Patent**
Jiang

(10) **Patent No.:** **US D934,254 S**

(45) **Date of Patent:** **** Oct. 26, 2021**

(54) **USB HUB**

(71) Applicant: **Shu Jiang**, Guangdong (CN)

(72) Inventor: **Shu Jiang**, Guangdong (CN)

(73) Assignee: **Shenzhen Colorii TECH Limited**,
Shenzhen (CN)

(**) Term: **15 Years**

(21) Appl. No.: **29/699,380**

(22) Filed: **Jul. 25, 2019**

(51) **LOC (13) Cl.** **14-99**

(52) **U.S. Cl.**
USPC **D14/433**

(58) **Field of Classification Search**
USPC D14/433, 434, 435.1, 480.1-480.7, 436,
D14/484.1, 155, 203.1-203.8, 240, 242,
D14/133, 154; D13/107, 108
CPC G06F 13/122; G06F 13/382; G06F 13/385;
G06F 13/4022; G06F 13/4282; G06F
1/1632; G06F 1/1684; H01R 25/006;
H05K 5/0278; G06K 19/07732
See application file for complete search history.

(56) **References Cited**

U.S. PATENT DOCUMENTS

D705,178 S * 5/2014 Olsson D13/153
D813,875 S * 3/2018 Liao D14/434
9,997,939 B2 * 6/2018 Li G06F 1/266
D826,942 S * 8/2018 Lu D14/433
D834,580 S * 11/2018 Wang D14/435.1
D839,876 S * 2/2019 Turksu D14/435.1

D847,139 S * 4/2019 Wang D14/433
D853,397 S * 7/2019 Wang D14/435.1
D854,020 S * 7/2019 Liao D14/434
D855,616 S * 8/2019 Chin D14/433
D863,310 S * 10/2019 Liao D14/433
D864,964 S * 10/2019 Lyu D14/433
D880,479 S * 4/2020 Liao D14/433
D883,289 S * 5/2020 Chen D14/433
D883,290 S * 5/2020 Zhan D14/433
D883,291 S * 5/2020 Lin D14/433
D886,824 S * 6/2020 Zhan D14/433
D888,717 S * 6/2020 Lu D14/433

FOREIGN PATENT DOCUMENTS

EM 008086763-0002 * 8/2020

* cited by examiner

Primary Examiner — Rebekah A Caruso

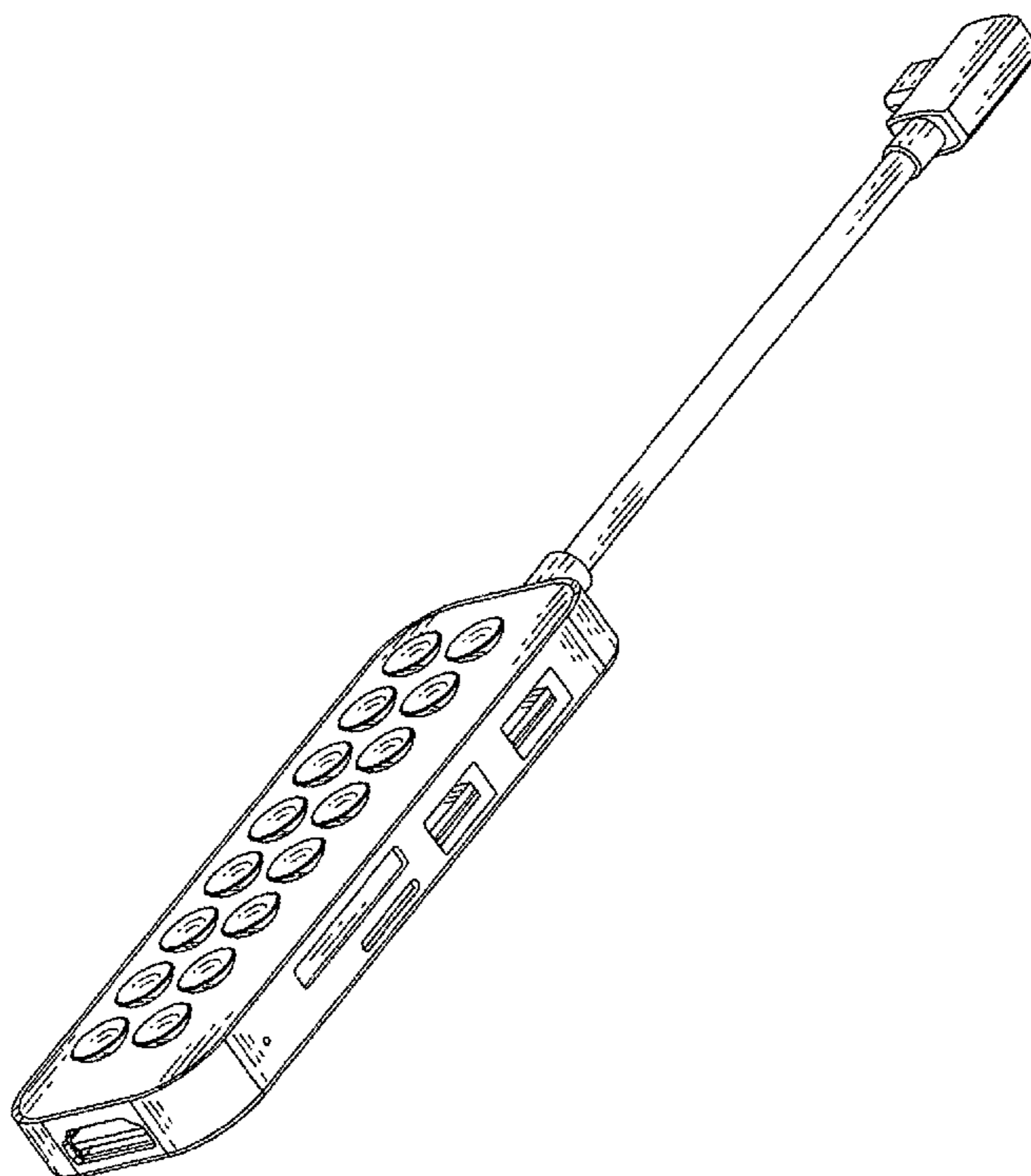
(57) **CLAIM**

The ornamental design for a USB hub, as shown and described.

DESCRIPTION

FIG. 1 is a perspective view of a USB hub showing my new design;
FIG. 2 is a front elevational view thereof;
FIG. 3 is a rear elevational view thereof;
FIG. 4 is a left side elevational view thereof;
FIG. 5 is a right side elevational view thereof;
FIG. 6 is a top plan view thereof;
FIG. 7 is a bottom plan view thereof; and,
FIG. 8 is a rear, right and bottom perspective view thereof.

1 Claim, 8 Drawing Sheets



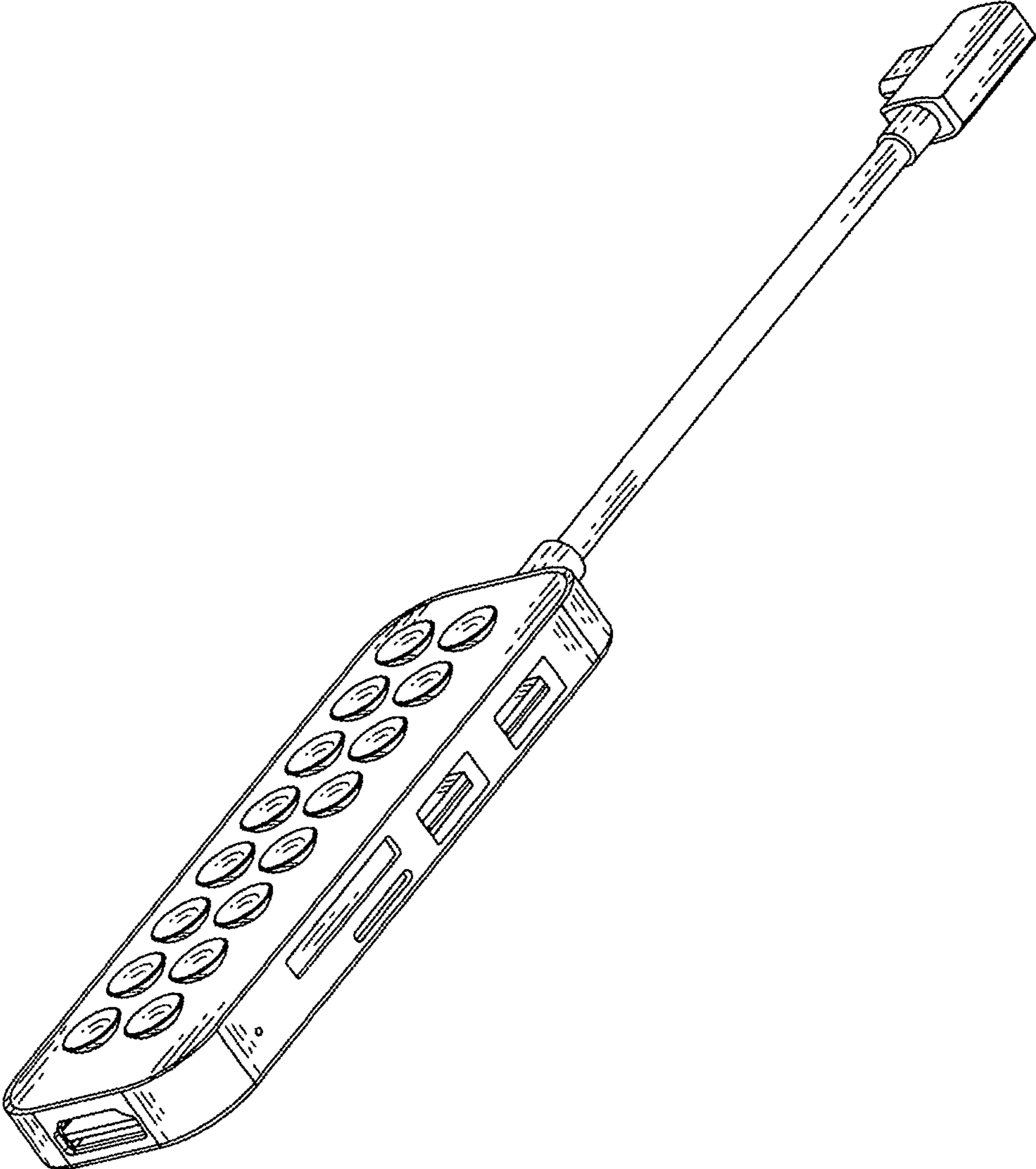


FIG. 1

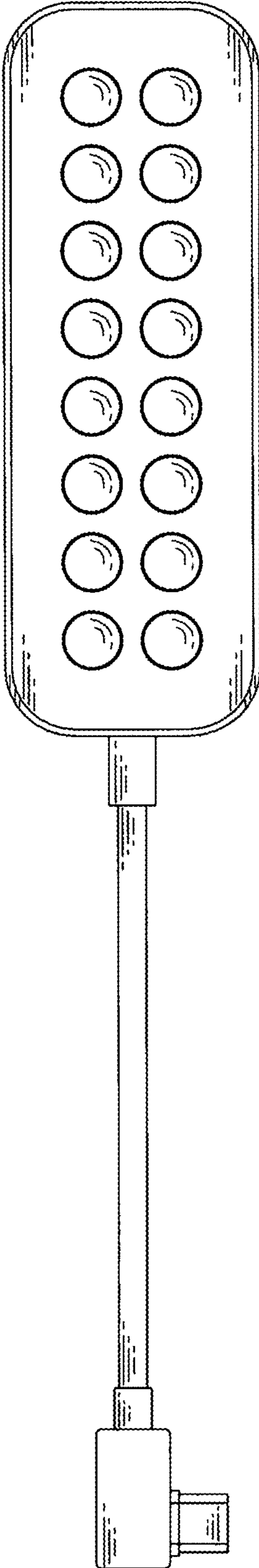


FIG. 2

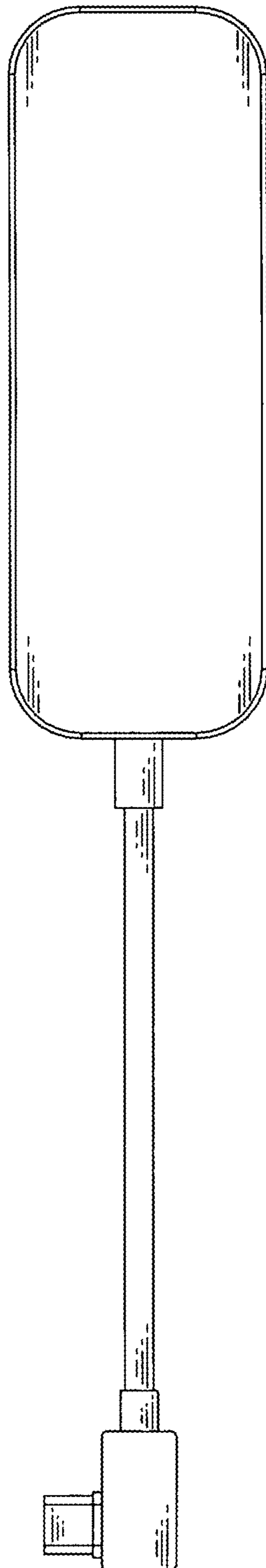


FIG. 3

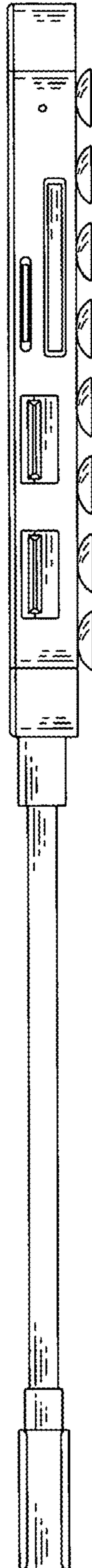


FIG. 4

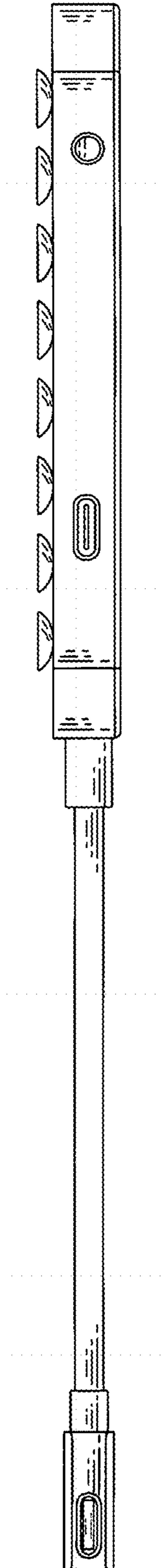


FIG. 5



FIG. 6

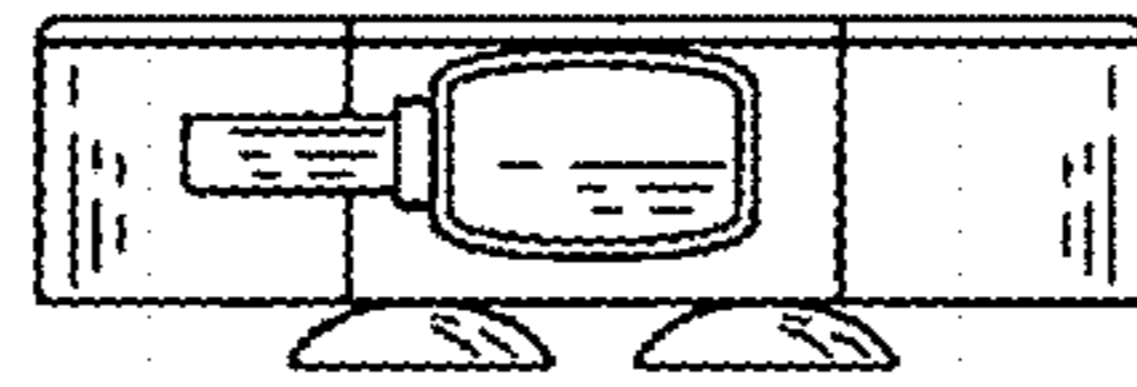


FIG. 7

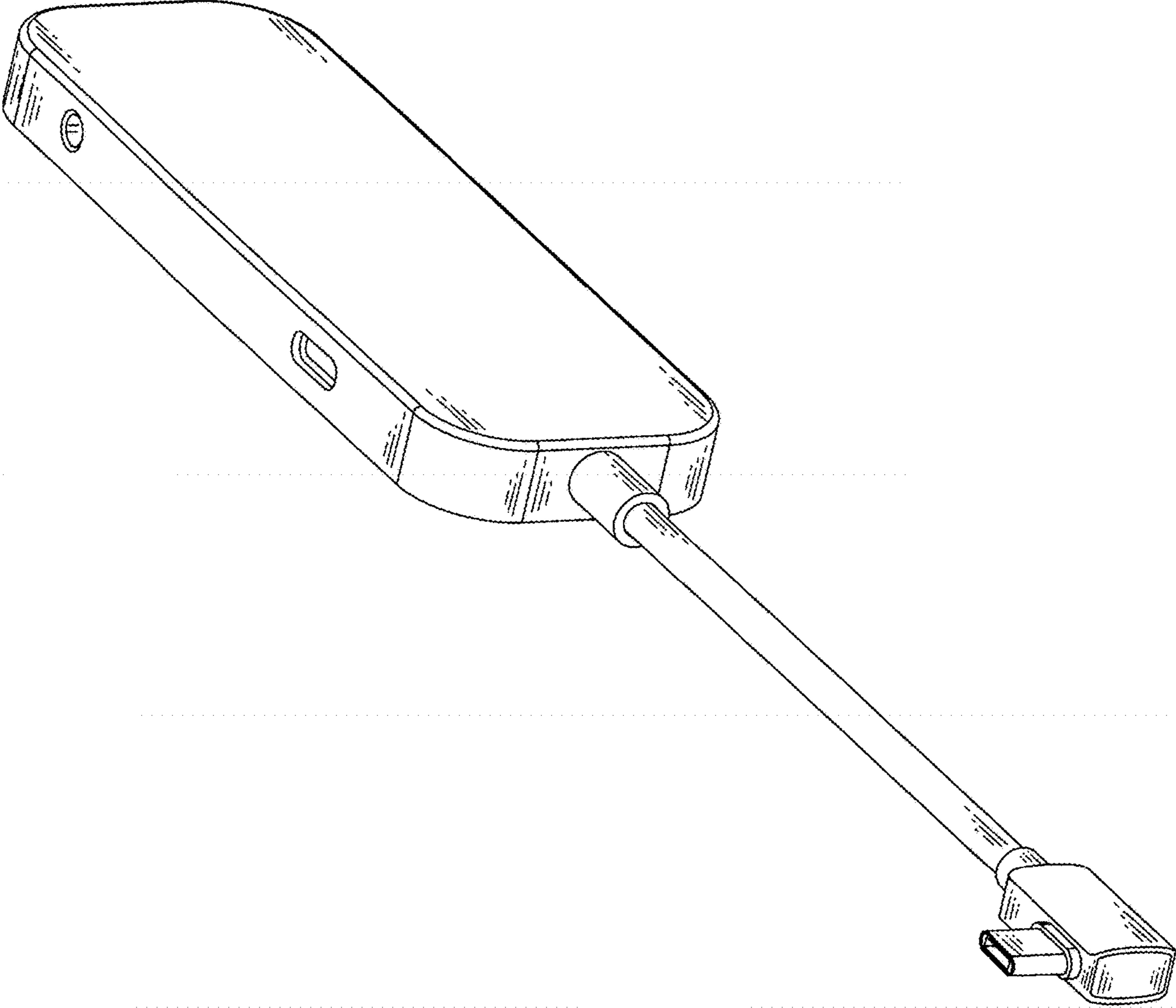


FIG. 8