



US00D934253S

(12) **United States Design Patent**  
**Lee et al.**

(10) **Patent No.:** **US D934,253 S**  
(45) **Date of Patent:** **\*\* Oct. 26, 2021**

(54) **USB ADAPTER**  
(71) Applicant: **elago CO. LTD**, Goyang-si (KR)  
(72) Inventors: **Chanwoo Lee**, Goyang-si (KR); **Chong Min Kim**, Seoul (KR)  
(73) Assignee: **elago CO. LTD**, Goyang-si (KR)  
(\*\*) Term: **15 Years**  
(21) Appl. No.: **29/698,344**  
(22) Filed: **Jul. 16, 2019**  
(51) **LOC (13) Cl.** ..... **14-02**  
(52) **U.S. Cl.**  
USPC ..... **D14/433**  
(58) **Field of Classification Search**  
USPC ..... D14/433, 434, 435.1, 436, 480.1–480.7,  
D14/484.1, 203.1–203.8, 240, 242, 432,  
D14/435, 439; D13/107, 108, 133, 146,  
D13/147, 154  
CPC .... G06F 13/122; G06F 13/382; G06F 13/385;  
G06F 13/4022; G06F 13/4282; G06F  
1/1632; G06F 1/1684; H01R 25/006;  
H01R 27/00; H01R 27/02; H01R 31/06;  
H05K 5/0278; G06K 19/07732  
See application file for complete search history.

D737,201 S \* 8/2015 Liu ..... D13/108  
D757,734 S \* 5/2016 Emami ..... D14/480.7  
D759,003 S \* 6/2016 Daniel ..... D14/240  
D763,190 S \* 8/2016 Akana ..... D13/110  
D764,479 S \* 8/2016 Kim ..... D14/480.1  
D769,877 S \* 10/2016 Akana ..... D14/433  
D770,456 S \* 11/2016 Akana ..... D14/433

(Continued)

**OTHER PUBLICATIONS**

Elago USB C to USB Adapter 3.0 with Indicator LED for MacBook and More Type-C Devices (Silver), Amazon online, date first available Sep. 26, 2019, URL: <https://www.amazon.com/elago-Adapter-Indicator-MacBook-Devices/dp/B07YDHM296?th=1>, retrieved Sep. 24, 2020.\*

*Primary Examiner* — Rebekah A Caruso  
(74) *Attorney, Agent, or Firm* — Paratus Law Group, PLLC

(57) **CLAIM**

The ornamental design for a USB adapter, as shown and described.

**DESCRIPTION**

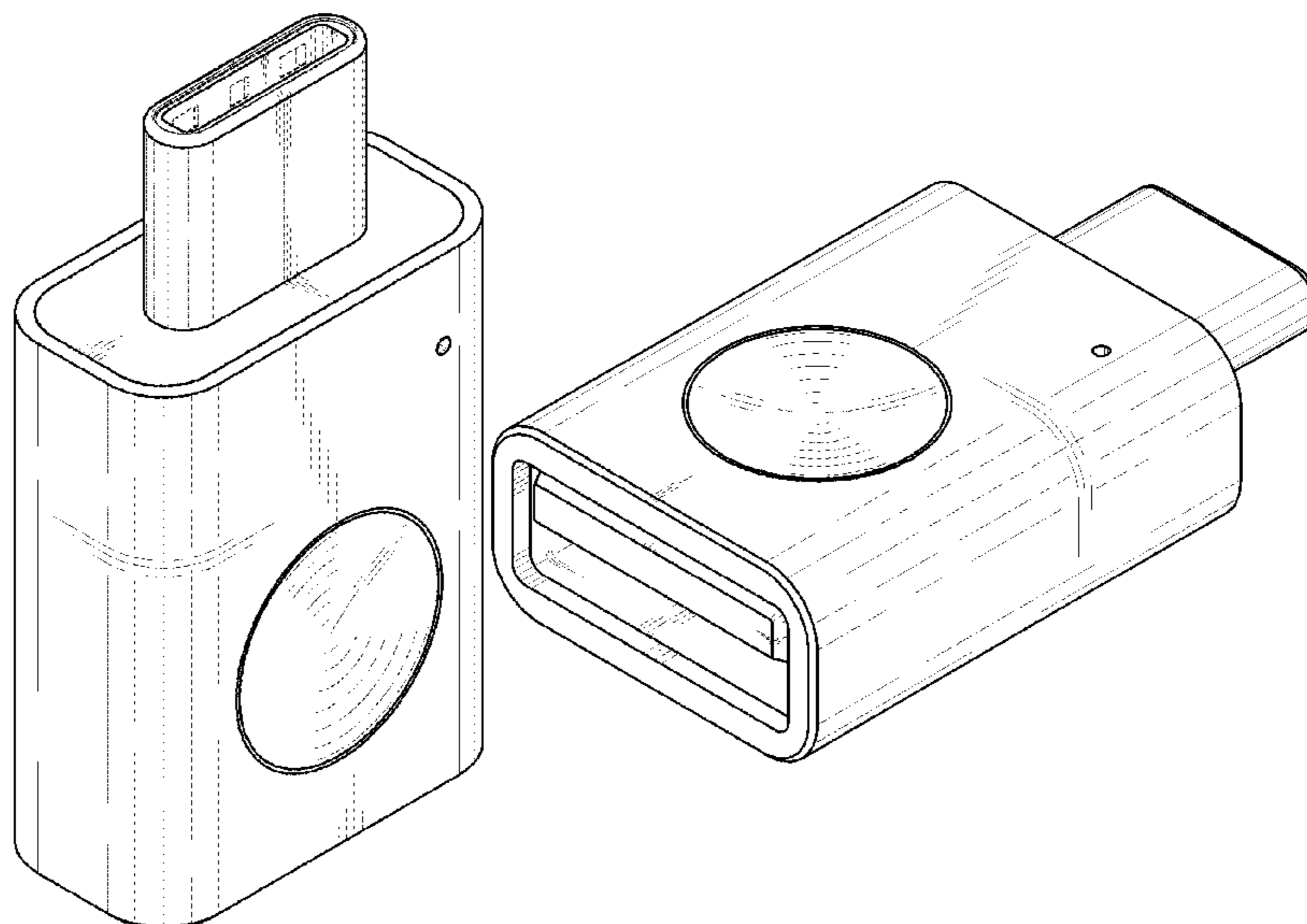
FIG. 1 is a front, top and left perspective view of a USB adapter showing claimed design;  
FIG. 2 is a front view thereof;  
FIG. 3 is a back view thereof;  
FIG. 4 is a left side view thereof;  
FIG. 5 is a right side view thereof;  
FIG. 6 is a top view thereof;  
FIG. 7 is a bottom view thereof;  
FIG. 8 is a front, bottom and right perspective view thereof; and,  
FIG. 9 is a bottom, front and right perspective view thereof.  
The broken lines shown in FIGS. 1, 6, and 7 depict parts of the USB adapter, but form no part of the claimed design.

**1 Claim, 8 Drawing Sheets**

(56) **References Cited**

**U.S. PATENT DOCUMENTS**

6,804,749 B2 \* 10/2004 Chien ..... G06F 13/4045  
361/752  
D589,888 S \* 4/2009 Wu ..... D13/147  
D623,136 S \* 9/2010 Andre ..... D13/138.1  
D631,883 S \* 2/2011 Maier ..... D14/435.1  
D631,885 S \* 2/2011 Maier ..... D14/435.1  
D673,908 S \* 1/2013 Koch ..... D13/108  
D685,382 S \* 7/2013 Anderson ..... D14/480.5  
D688,651 S \* 8/2013 Daniel ..... D14/240  
D711,823 S \* 8/2014 Akana ..... D13/110  
D733,651 S \* 7/2015 Liu ..... D13/108



(56)

**References Cited**

U.S. PATENT DOCUMENTS

D778,835 S \* 2/2017 Akana ..... D13/110  
D798,307 S \* 9/2017 Otsuka ..... D14/480.1  
D816,025 S \* 4/2018 Thompson ..... D13/108  
D864,213 S \* 10/2019 Yang ..... D14/480.5  
D867,302 S \* 11/2019 Zhu ..... D13/147  
D874,469 S \* 2/2020 Shim ..... D14/480.1  
D889,472 S \* 7/2020 Laine ..... D14/433  
D892,736 S \* 8/2020 Jin ..... D13/108  
D894,904 S \* 9/2020 Matsuoka ..... D14/433  
D909,969 S \* 2/2021 Yoon ..... D13/110  
D910,576 S \* 2/2021 Cheung ..... D13/147  
D914,596 S \* 3/2021 Akana ..... D13/110

\* cited by examiner

FIG. 1

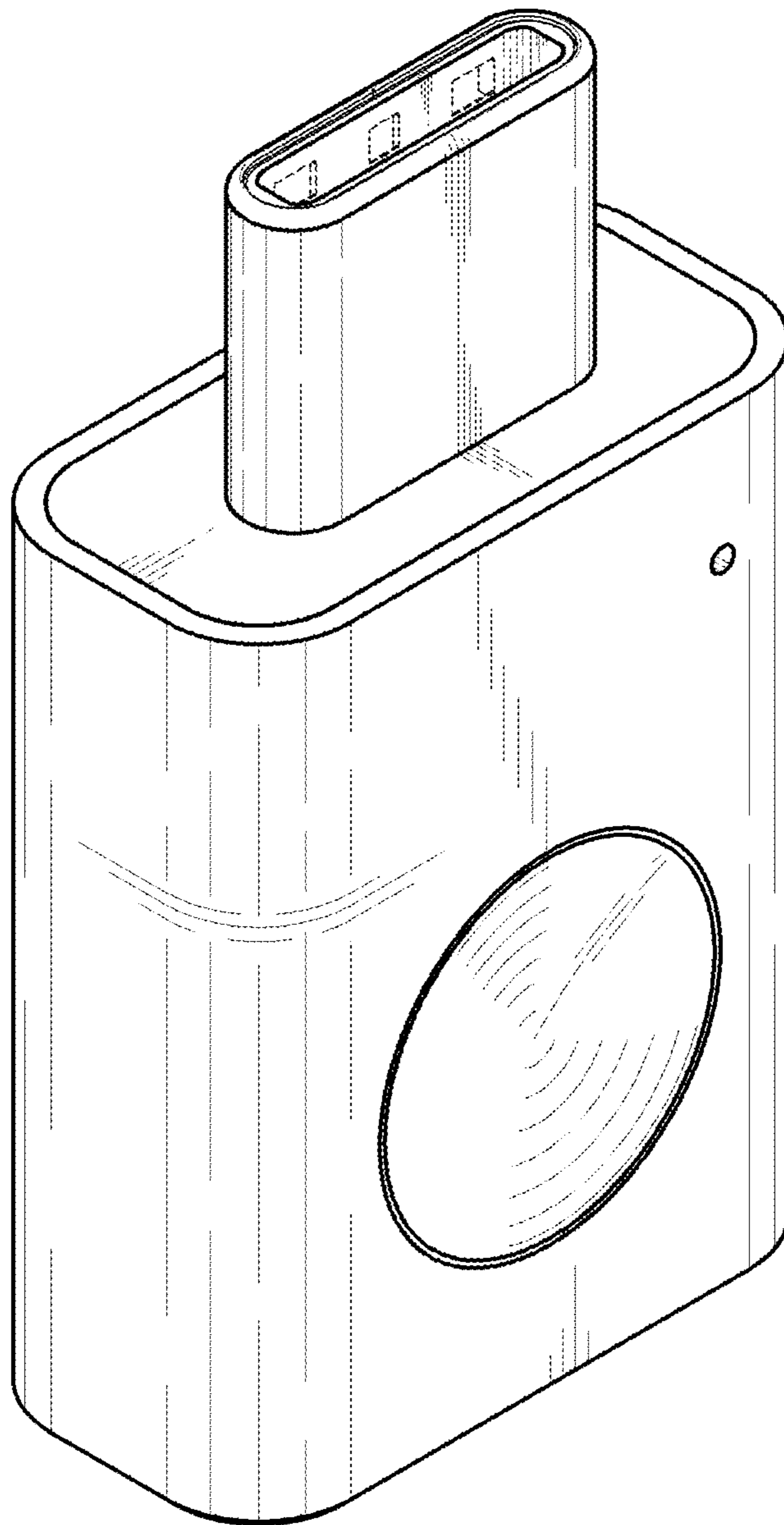


FIG. 2

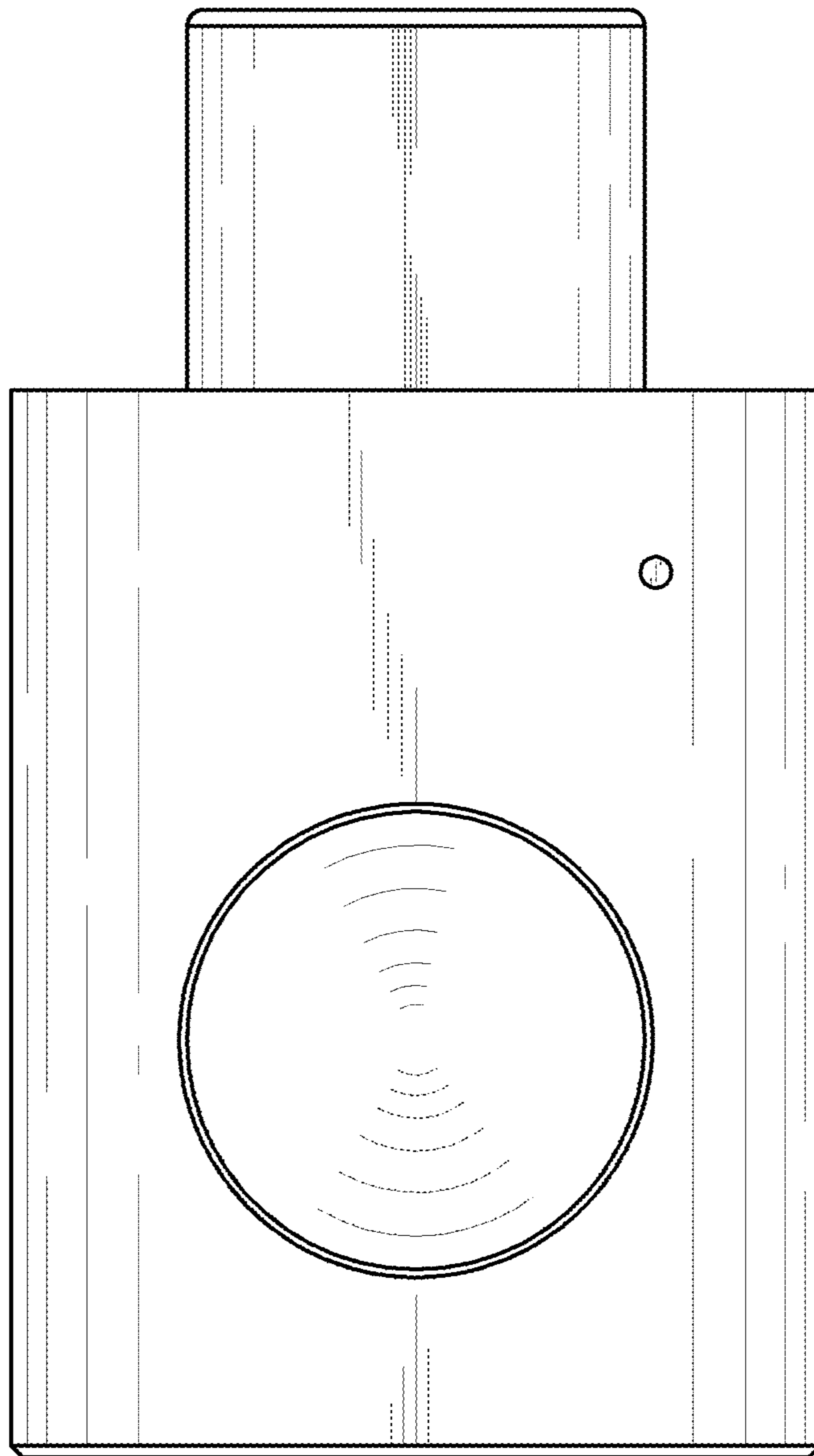


FIG. 3

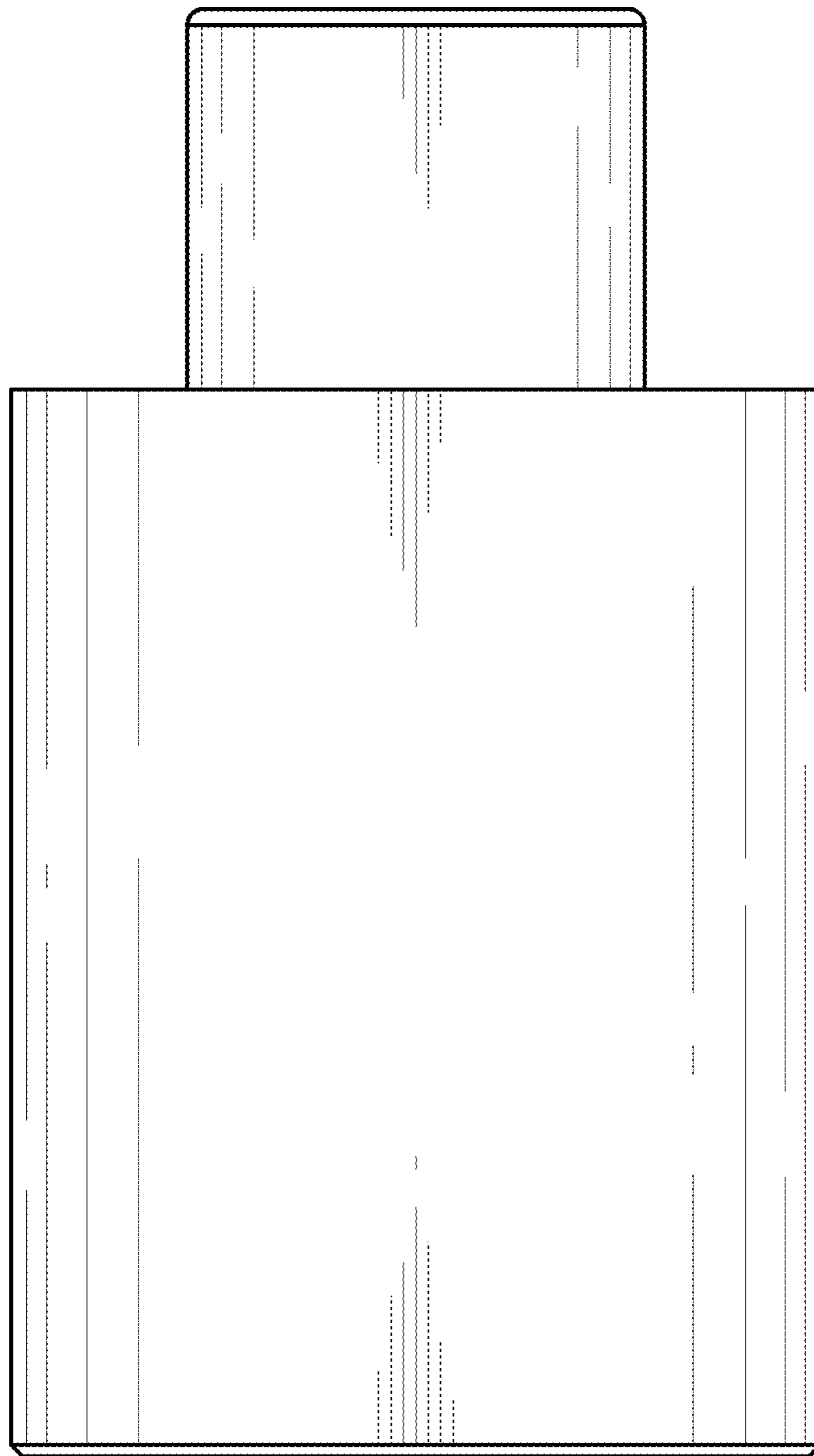


FIG. 4

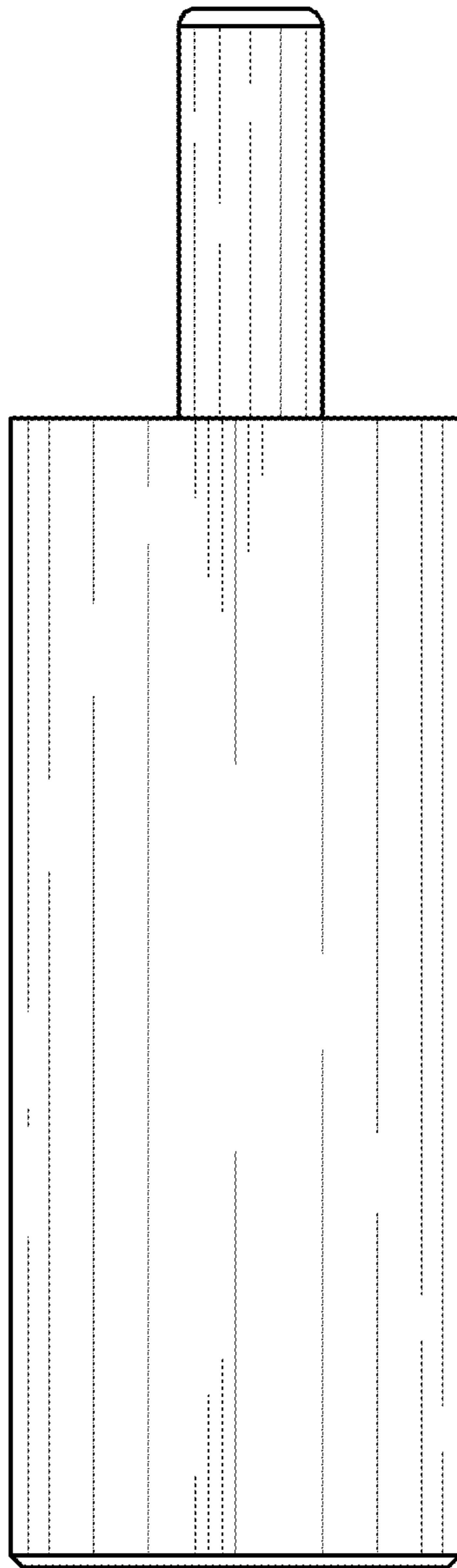


FIG. 5

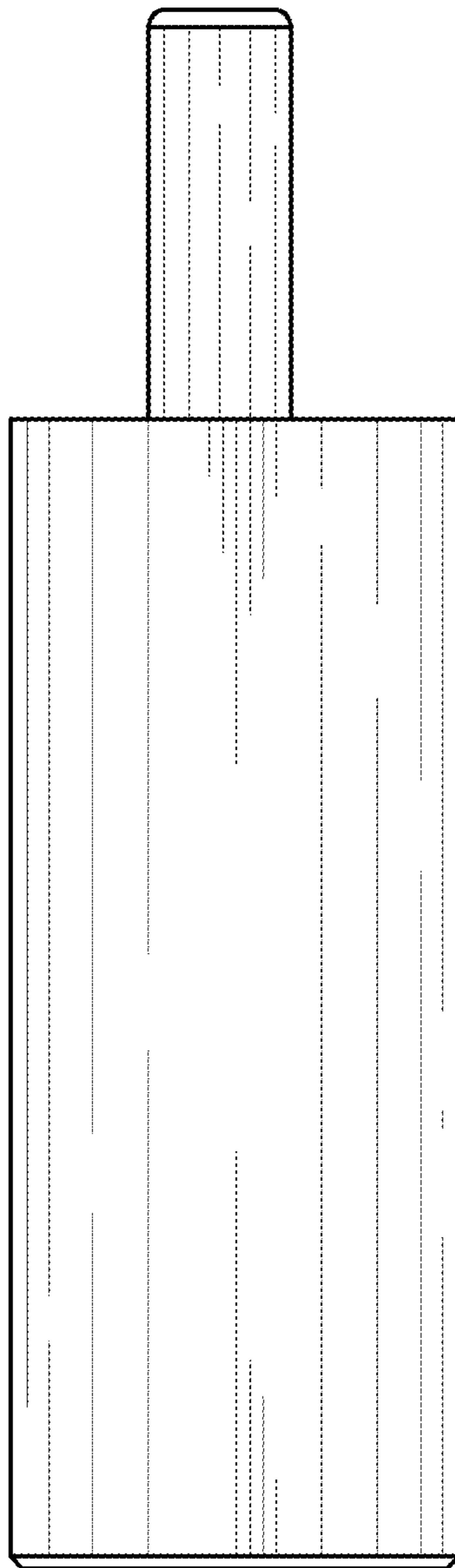




FIG. 6

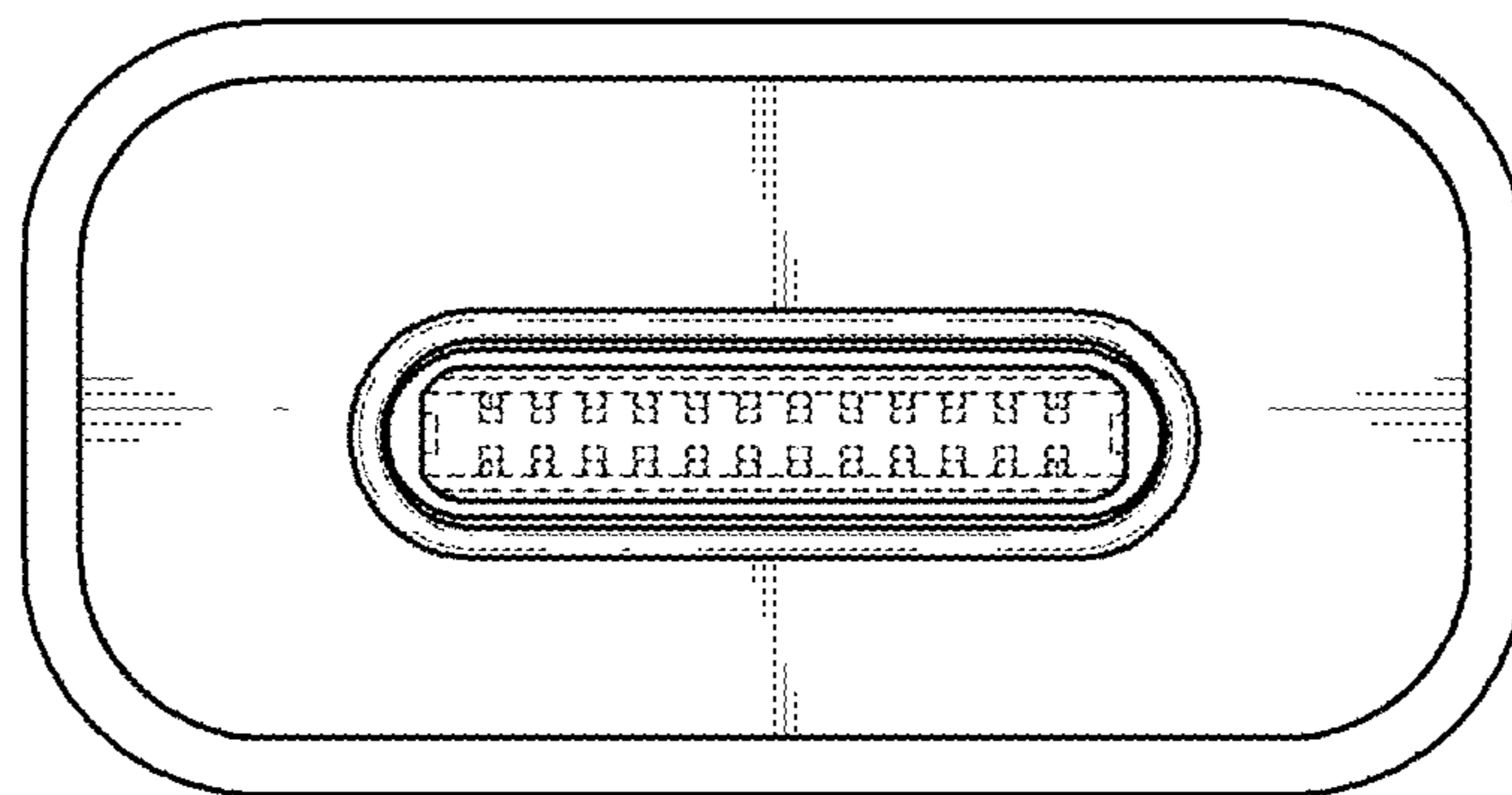


FIG. 7

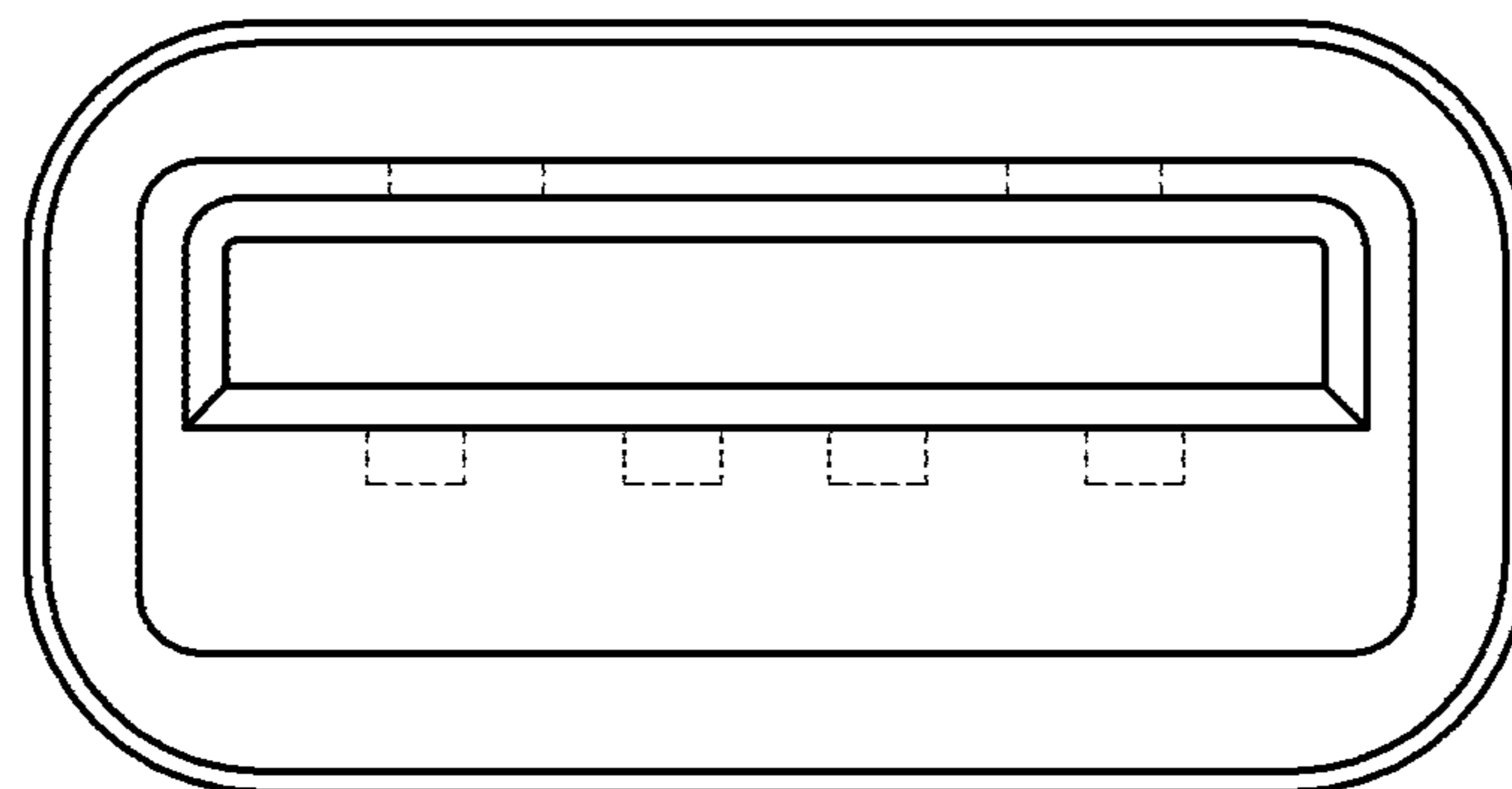




FIG. 8

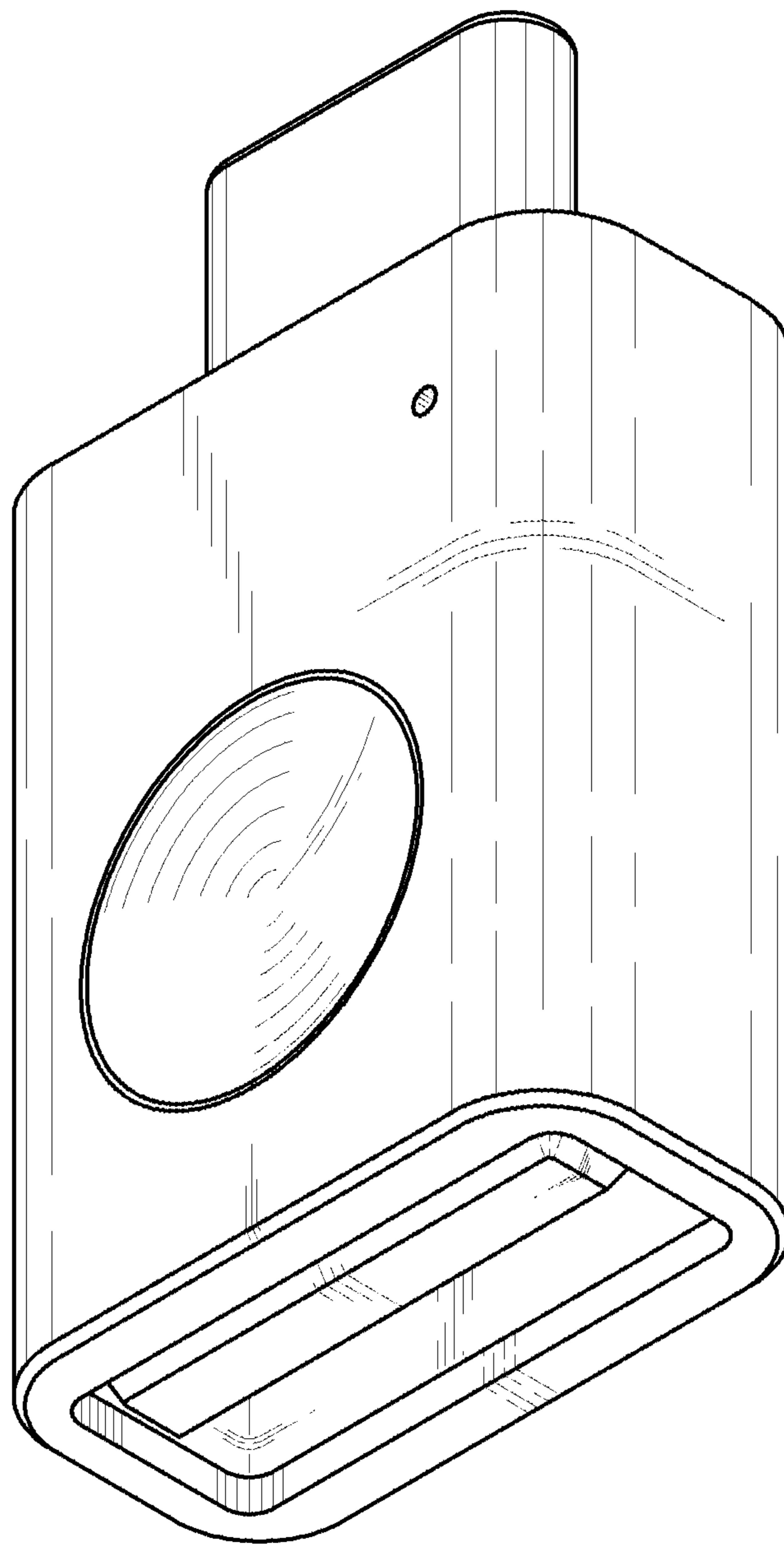


FIG. 9

