



US00D934251S

(12) **United States Design Patent**  
**Liao**

(10) **Patent No.:** **US D934,251 S**

(45) **Date of Patent:** **\*\* Oct. 26, 2021**

- (54) **MULTI-FUNCTION CONVERTER**
- (71) Applicant: **Guangdong Gopod Group Holding Co., Ltd., Shenzhen (CN)**
- (72) Inventor: **Zhuowen Liao, Shenzhen (CN)**
- (73) Assignee: **GUANGDONG GOPOD GROUP HOLDING CO., LTD., Shenzhen (CN)**

- (\*\*) Term: **15 Years**
- (21) Appl. No.: **29/672,937**
- (22) Filed: **Dec. 11, 2018**

- (30) **Foreign Application Priority Data**  
Nov. 30, 2018 (CN) ..... 201830689283.4
- (51) **LOC (13) Cl.** ..... **14-99**
- (52) **U.S. Cl.**  
USPC ..... **D14/433**
- (58) **Field of Classification Search**  
USPC ..... D14/240, 242, 356, 357, 358, 378, 383, D14/384, 385, 386, 433, 434, 435.1, D14/480.1, 480.3, 480.4, 480.5, 480.6, D14/480.7; D13/103, 107, 108, 110, 146; D18/12, 12.1, 12.3  
CPC .... H01R 25/003; H01R 25/006; H01R 27/02; H01R 31/005; H01R 13/60; H01R 13/6658; H01R 13/72; G06F 1/1607; G06F 1/1632; G06F 1/1684; G06F 1/266; G06F 11/325; G06F 13/00; G06F 13/12; G06F 13/14; G06F 13/20; G06F 13/382; G06F 13/4022; G06F 9/4413  
See application file for complete search history.

- (56) **References Cited**  
U.S. PATENT DOCUMENTS

D628,535 S \* 12/2010 Cheng ..... D13/108  
D682,196 S \* 5/2013 Leung ..... D13/103

D682,197 S \* 5/2013 Leung ..... D13/103  
D797,663 S \* 9/2017 Miller ..... D13/107  
D805,938 S \* 12/2017 Park ..... D10/104.1  
D813,162 S \* 3/2018 Krantz ..... D13/110  
D823,239 S \* 7/2018 Gupta ..... D13/103  
D824,387 S \* 7/2018 Oberpriller ..... D14/433  
D828,356 S \* 9/2018 Xie ..... D14/433

(Continued)

**FOREIGN PATENT DOCUMENTS**

EM 005940186-0001 \* 1/2019

*Primary Examiner* — Jeffrey D Asch  
*Assistant Examiner* — Rebekah A Caruso

(74) *Attorney, Agent, or Firm* — Dorsey & Whitney LLP

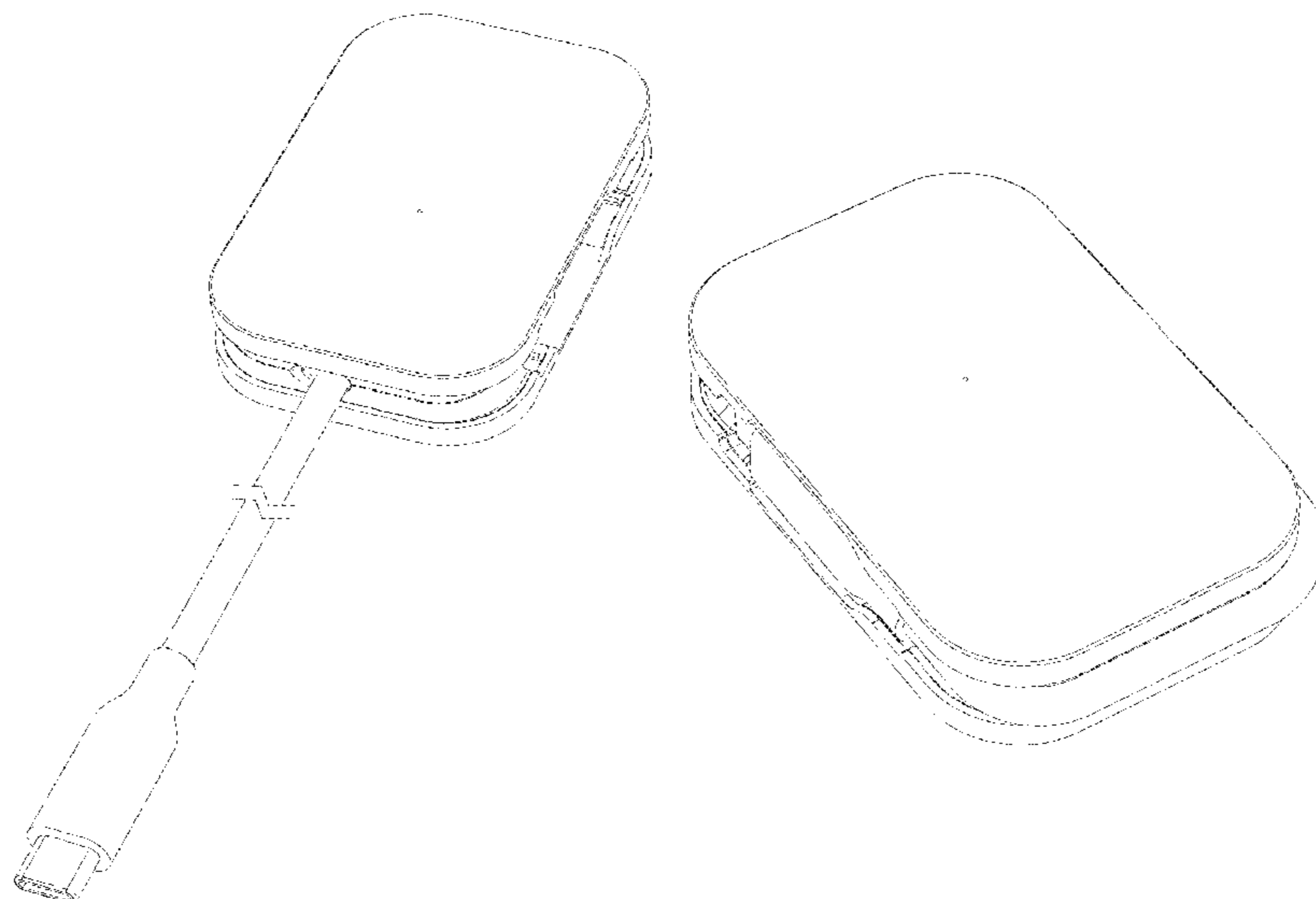
(57) **CLAIM**

The ornamental design for a multi-function converter, as shown and described.

**DESCRIPTION**

FIG. 1 is a top view of a multi-function converter showing my new design;  
FIG. 2 is a left side view thereof;  
FIG. 3 is a right side view thereof;  
FIG. 4 is a bottom view thereof;  
FIG. 5 is a rear view thereof;  
FIG. 6 is a front view thereof;  
FIG. 7 is a top, rear, right side perspective view thereof;  
FIG. 8 is a top, front, left side perspective view thereof;  
FIG. 9 is a top, rear, left side perspective view of the multi-function converter of FIGS. 1-8 showing in a stowed configuration; and,  
FIG. 10 is a top, front, right side perspective view thereof. The broken lines shown in the drawings illustrate portions of the multi-function converter that form no part of the claimed design. Break lines are utilized in FIGS. 1-4, 7, and 8 of the drawings to fit the cable portion of the article on the page, it being understood that FIGS. 9 and 10 show the true length of the cable.

**1 Claim, 10 Drawing Sheets**



(56)

**References Cited**

U.S. PATENT DOCUMENTS

D828,840	S	*	9/2018	Zhang	.....	D14/433
D838,241	S	*	1/2019	Xie	.....	D13/108
D847,139	S	*	4/2019	Wang	.....	D14/433
D853,396	S	*	7/2019	Kong	.....	D14/434
D853,959	S	*	7/2019	Miller	.....	D13/108
D858,529	S	*	9/2019	Oberpriller	.....	D14/433
D869,392	S	*	12/2019	Roberts	.....	D13/108
2006/0230199	A1	*	10/2006	Yu	.....	H01R 31/005 710/62
2010/0279518	A1	*	11/2010	Watanabe	.....	H01R 13/44 439/40
2012/0268064	A1	*	10/2012	Ostrom	.....	G06F 1/26 320/108
2015/0123620	A1	*	5/2015	Nowak	.....	H02J 7/342 320/137

\* cited by examiner

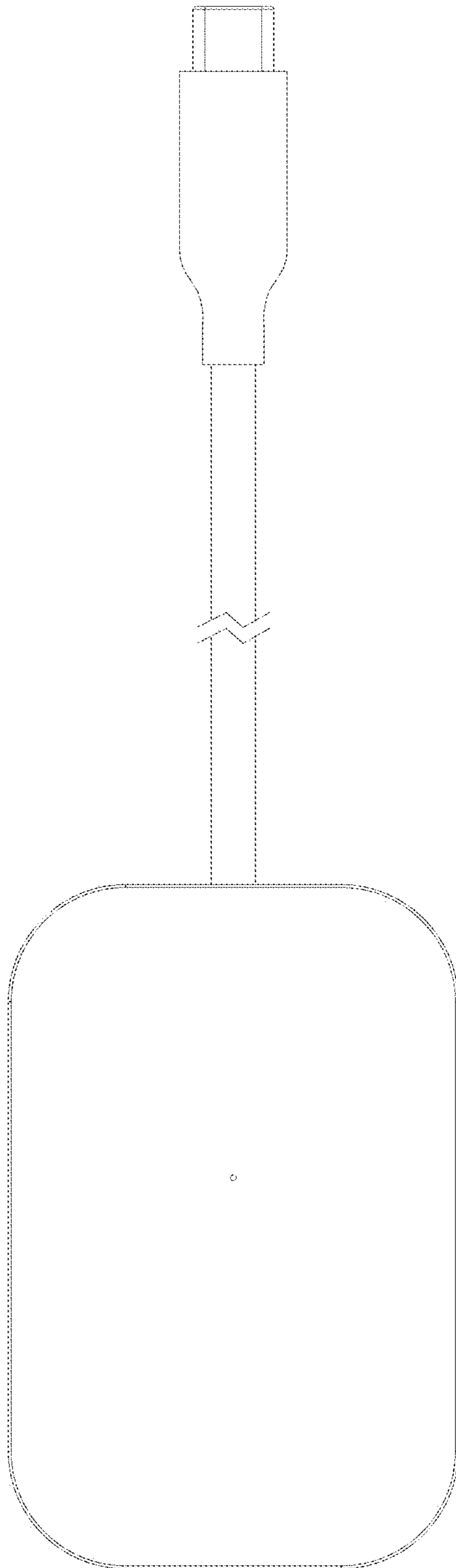


FIG. 1

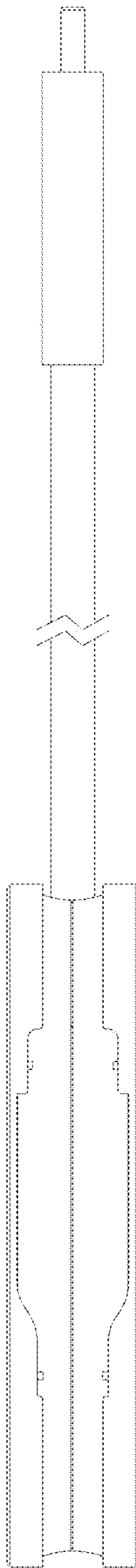


FIG. 2

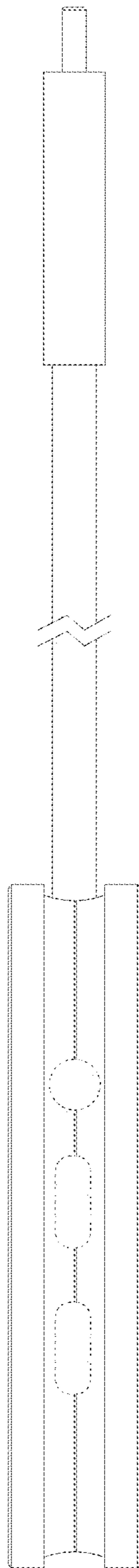


FIG. 3

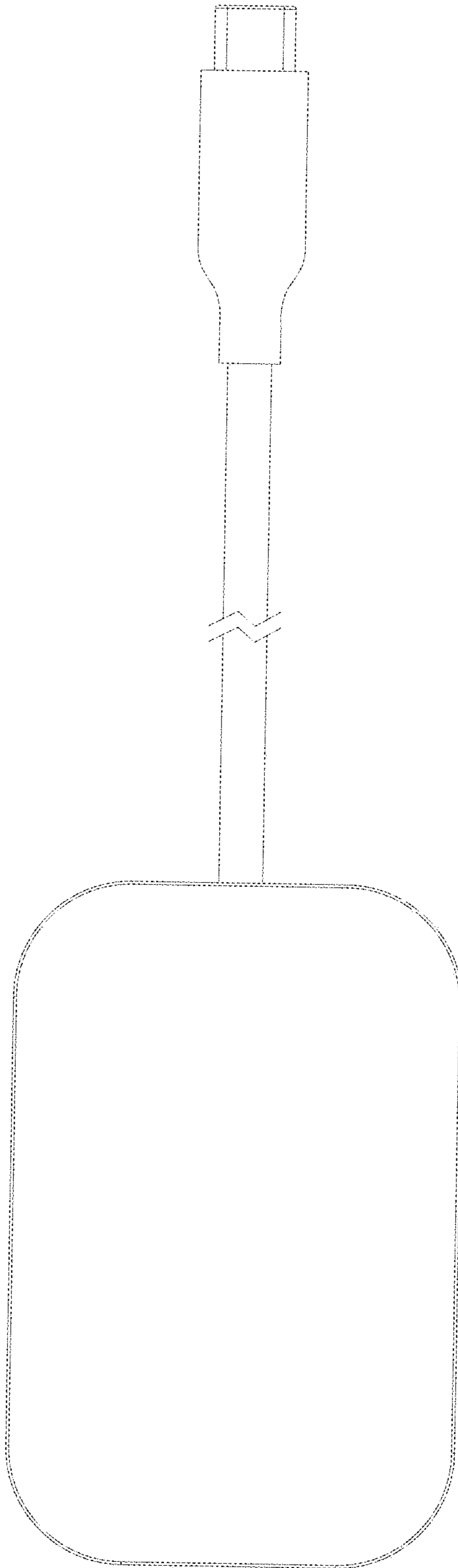


FIG. 4

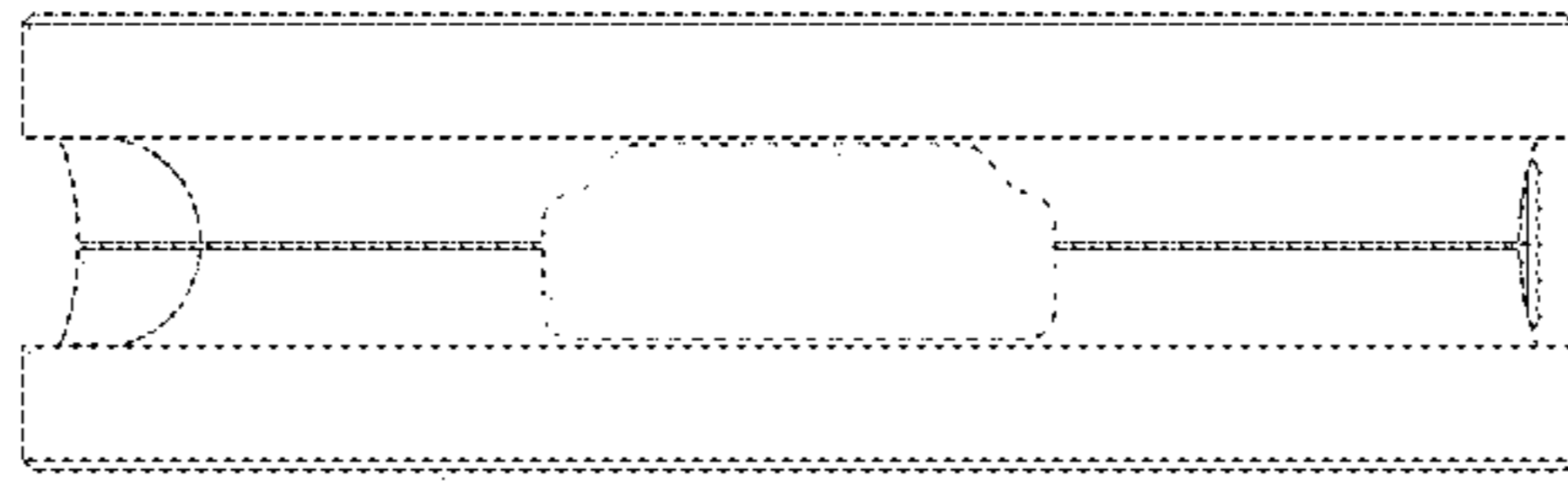


FIG. 5

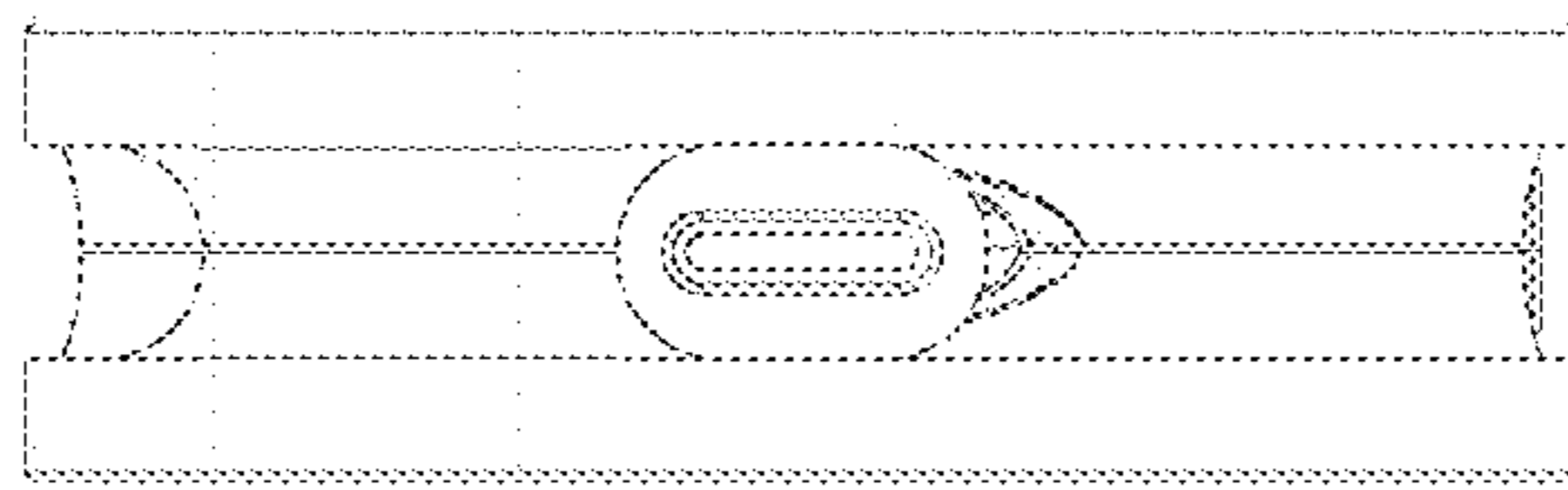


FIG. 6



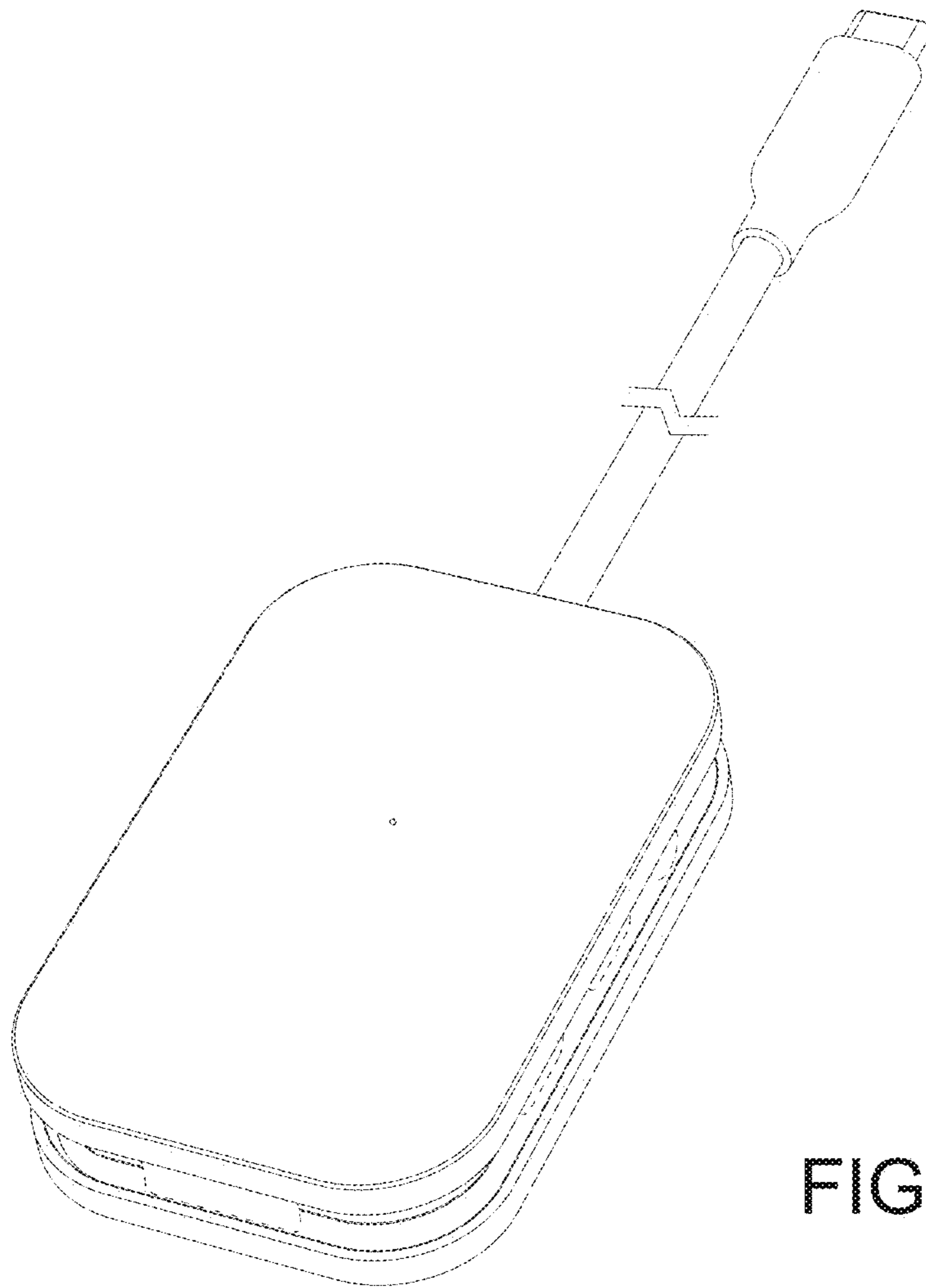


FIG. 7

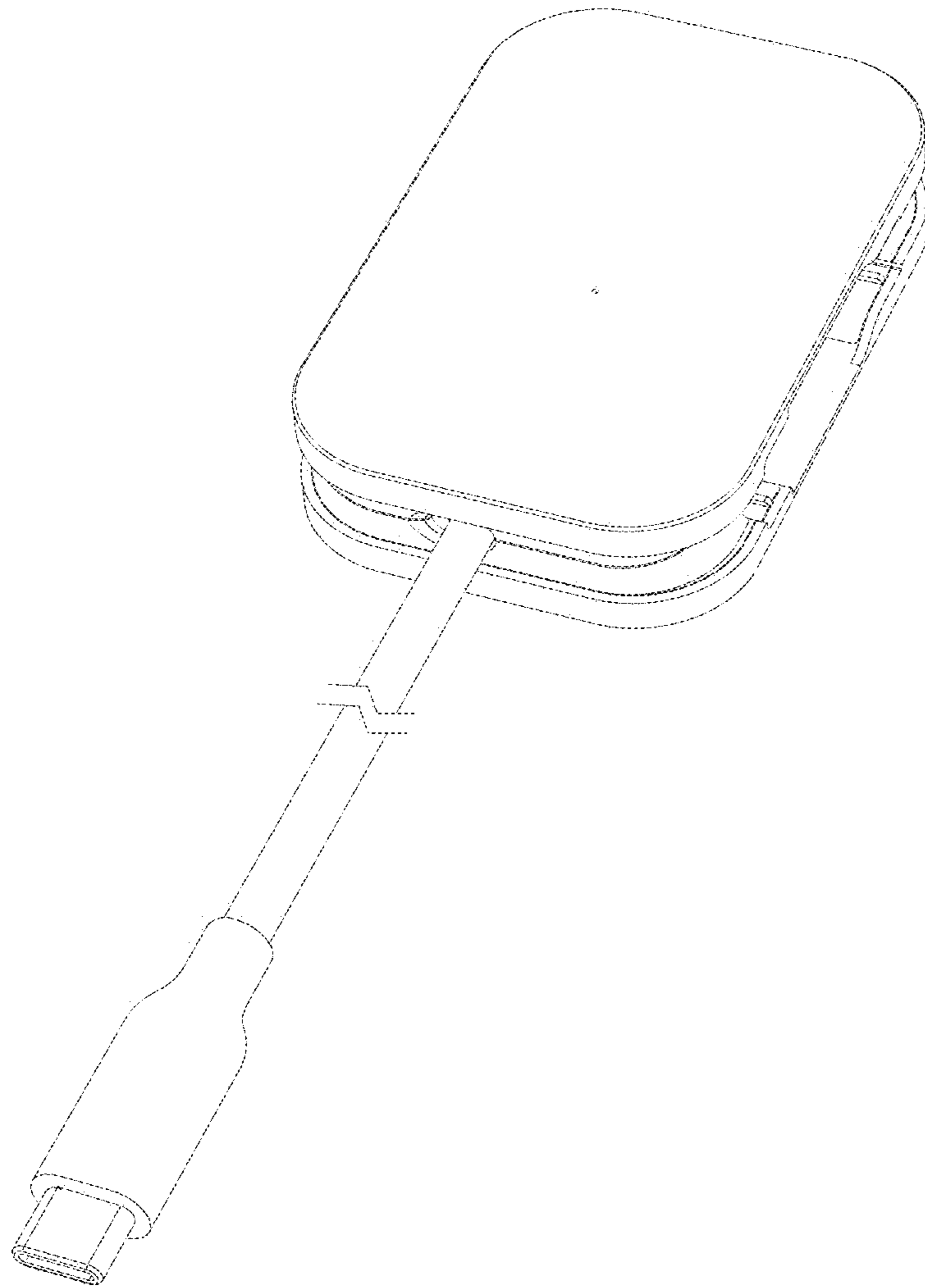


FIG. 8



FIG. 9

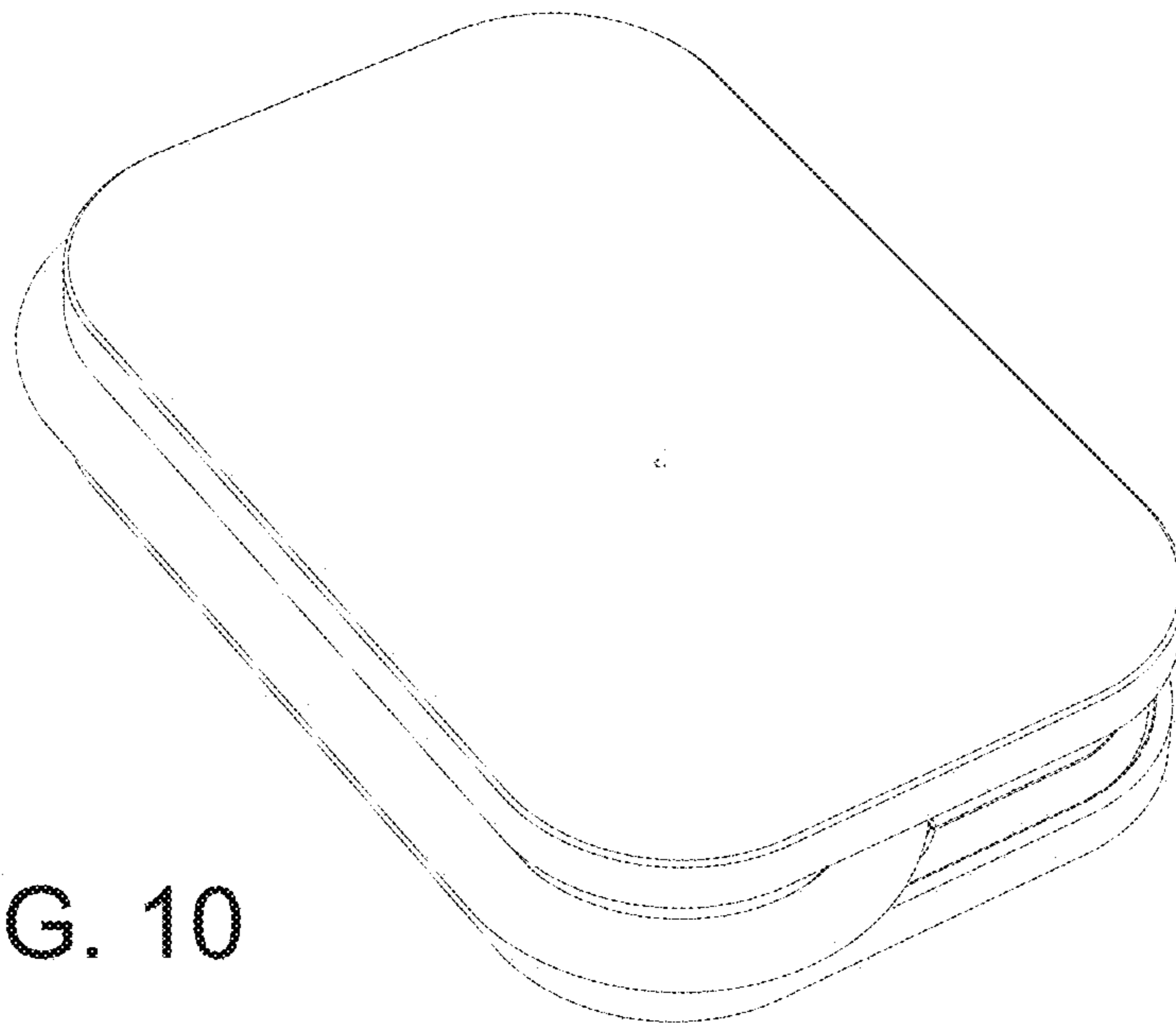


FIG. 10