



US00D934250S

(12) **United States Design Patent**
Hashimoto et al.

(10) **Patent No.:** **US D934,250 S**

(45) **Date of Patent:** **** Oct. 26, 2021**

(54) **MODULE FOR AN ELECTRONIC PEN**

(71) Applicant: **Wacom Co., Ltd.**, Kazo (JP)

(72) Inventors: **Yoshiyuki Hashimoto**, Wako (JP);
Takenori Kaneda, Shimotsuke (JP);
Shinya Aoki, Kuki (JP)

(73) Assignee: **Wacom Co., Ltd.**, Kazo (JP)

(**) Term: **15 Years**

(21) Appl. No.: **29/731,644**

(22) Filed: **Apr. 16, 2020**

(30) **Foreign Application Priority Data**

Oct. 17, 2019 (JP) 2019-023217

(51) **LOC (13) Cl.** **14-02**

(52) **U.S. Cl.**
USPC **D14/411**

(58) **Field of Classification Search**

USPC D14/372, 496, 432, 371, 125, 126, 129,
D14/299, 411; D16/300-342; 351/158,
351/153, 144; 345/7-9, 905; 455/344;
348/115, 53, 121, 739

CPC G02B 27/017; G06F 3/016; G06F 3/033;
G06F 3/0317; G06F 3/03545; G06F
3/041; G06K 9/222

See application file for complete search history.

(56) **References Cited**

U.S. PATENT DOCUMENTS

D310,684 S * 9/1990 Itoh D19/195
D770,456 S * 11/2016 Akana D14/433

D786,253 S * 5/2017 Akana D14/411
D796,511 S * 9/2017 Akana D14/411
D796,512 S * 9/2017 Akana D14/411
D826,231 S * 8/2018 Akana D14/411
D860,205 S * 9/2019 Akana D14/411
D886,822 S * 6/2020 Mitchell D14/411

FOREIGN PATENT DOCUMENTS

JP D1563170 S 11/2016

* cited by examiner

Primary Examiner — Austin Murphy

(74) *Attorney, Agent, or Firm* — Christensen O'Connor
Johnson Kindness PLLC

(57) **CLAIM**

The ornamental design for a module for an electric pen, as shown and described.

DESCRIPTION

FIG. 1 is a top-right-front perspective view of a representative embodiment of a module for an electric pen according to our new design;

FIG. 2 is a bottom-left-front perspective view;

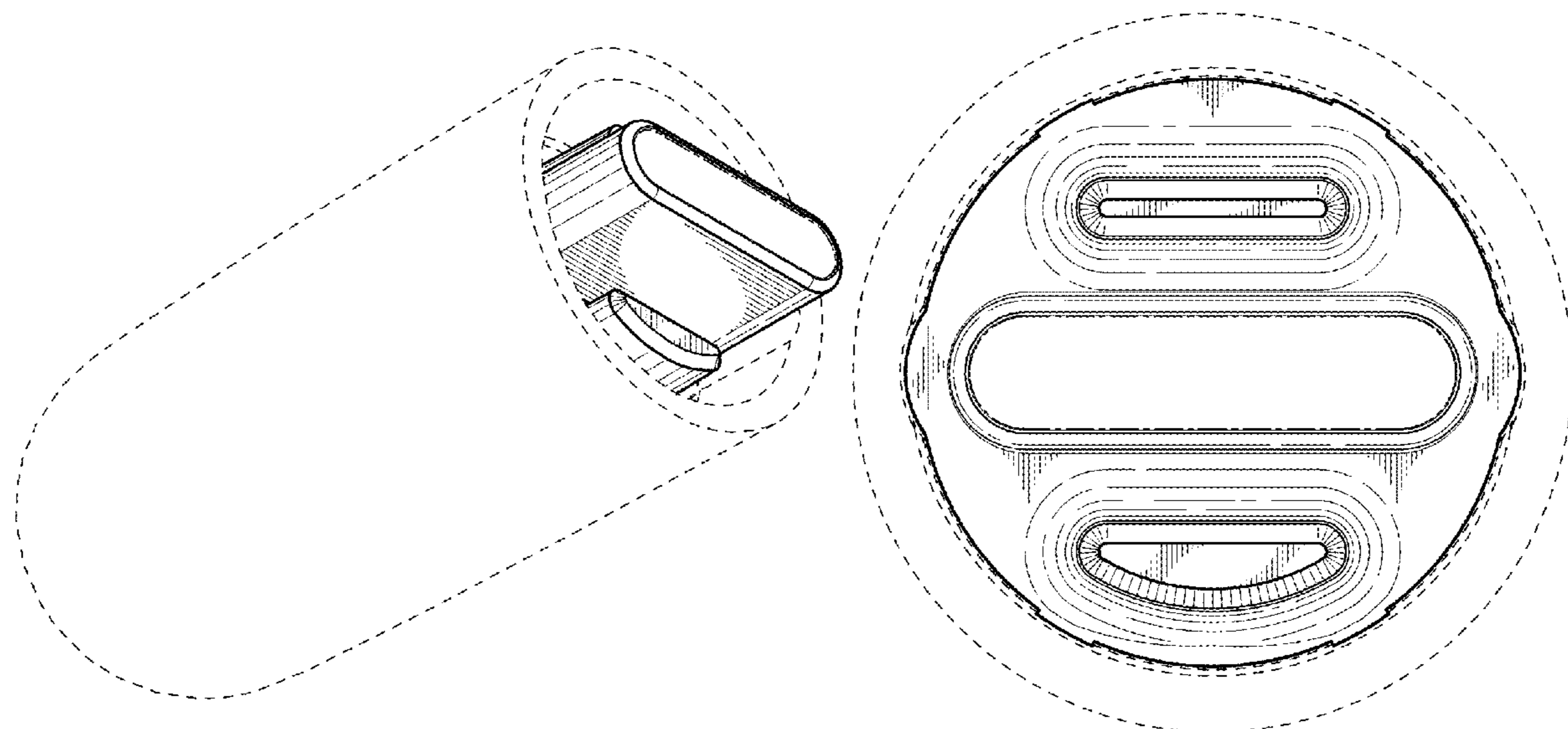
FIG. 3 is a right-side elevational view thereof, wherein the left-side elevational view is a mirror image of the right-side elevational view;

FIG. 4 is a top plan view thereof, wherein the bottom plan view is a mirror image of the bottom plan view; and,

FIG. 5 is a front elevational view thereof.

The dashed broken lines in the drawings show portions of the module for an electric pen that form no part of the claimed design.

1 Claim, 3 Drawing Sheets



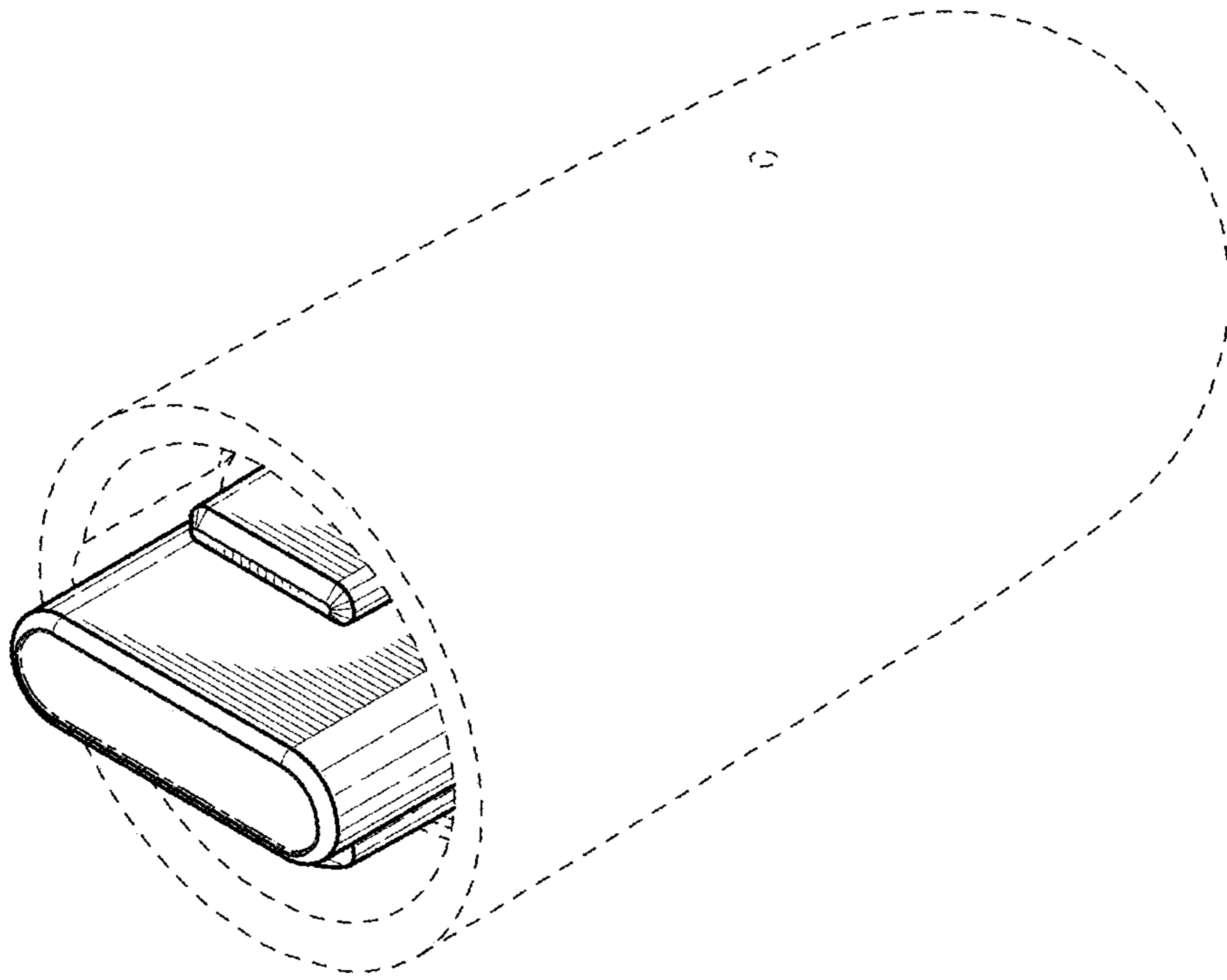


Fig. 1.

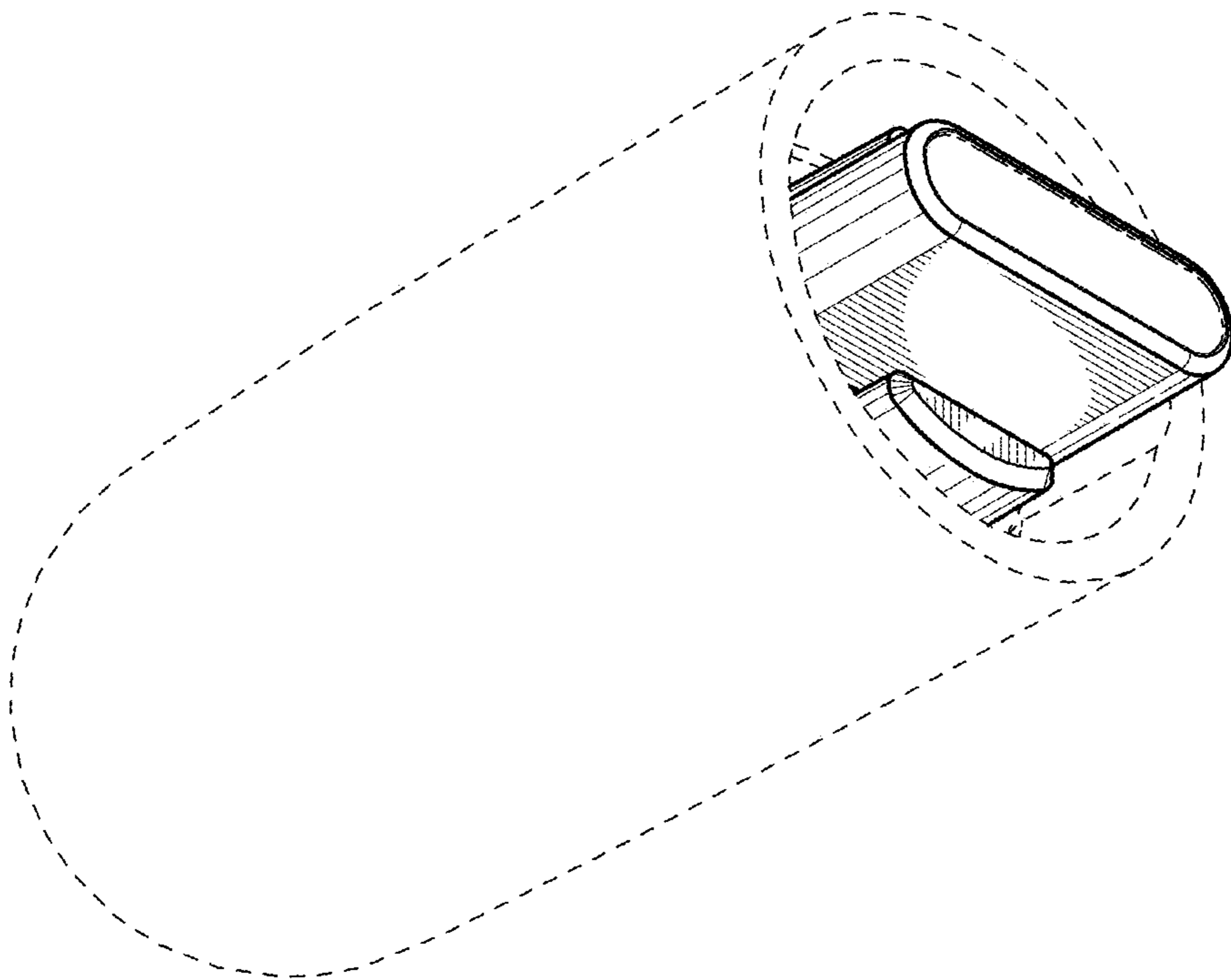


Fig. 2.

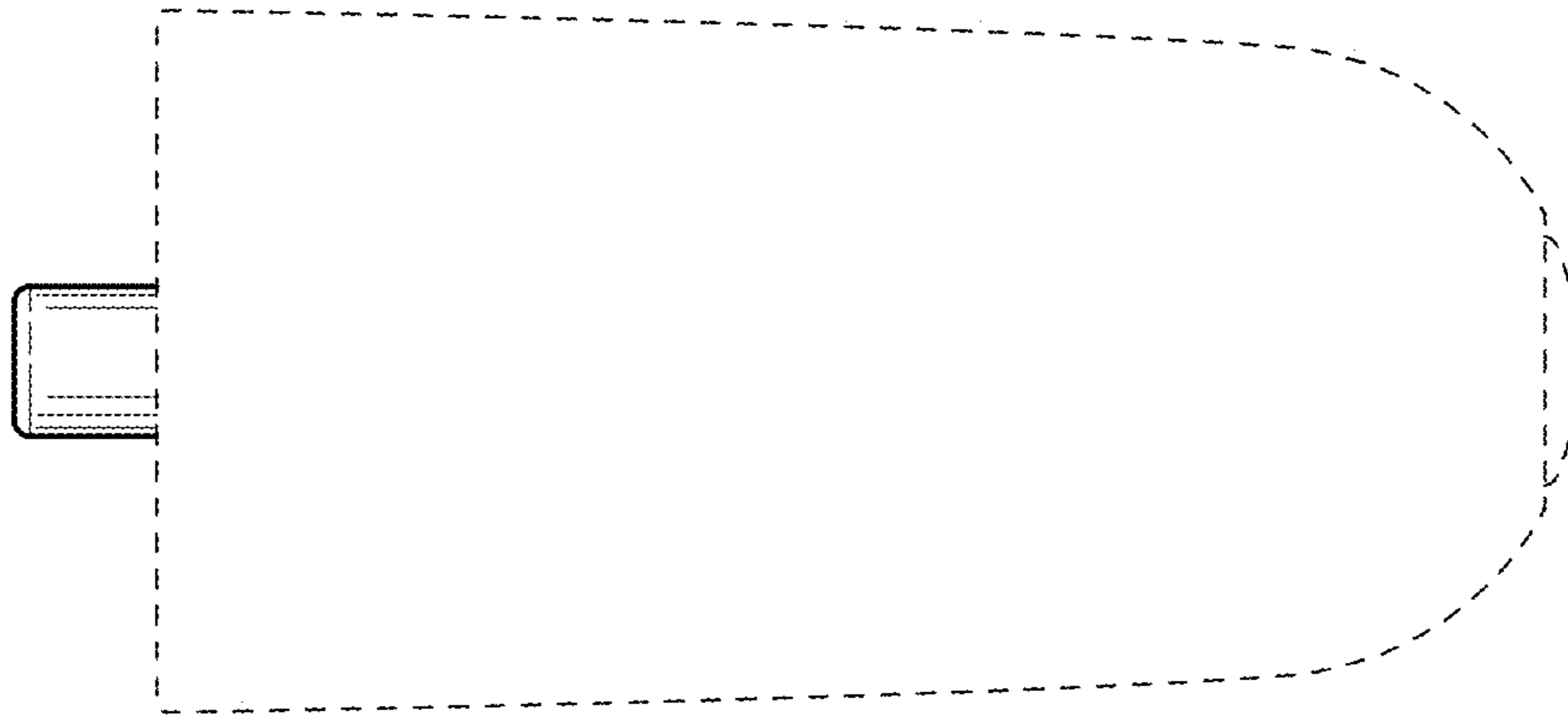


Fig. 3.

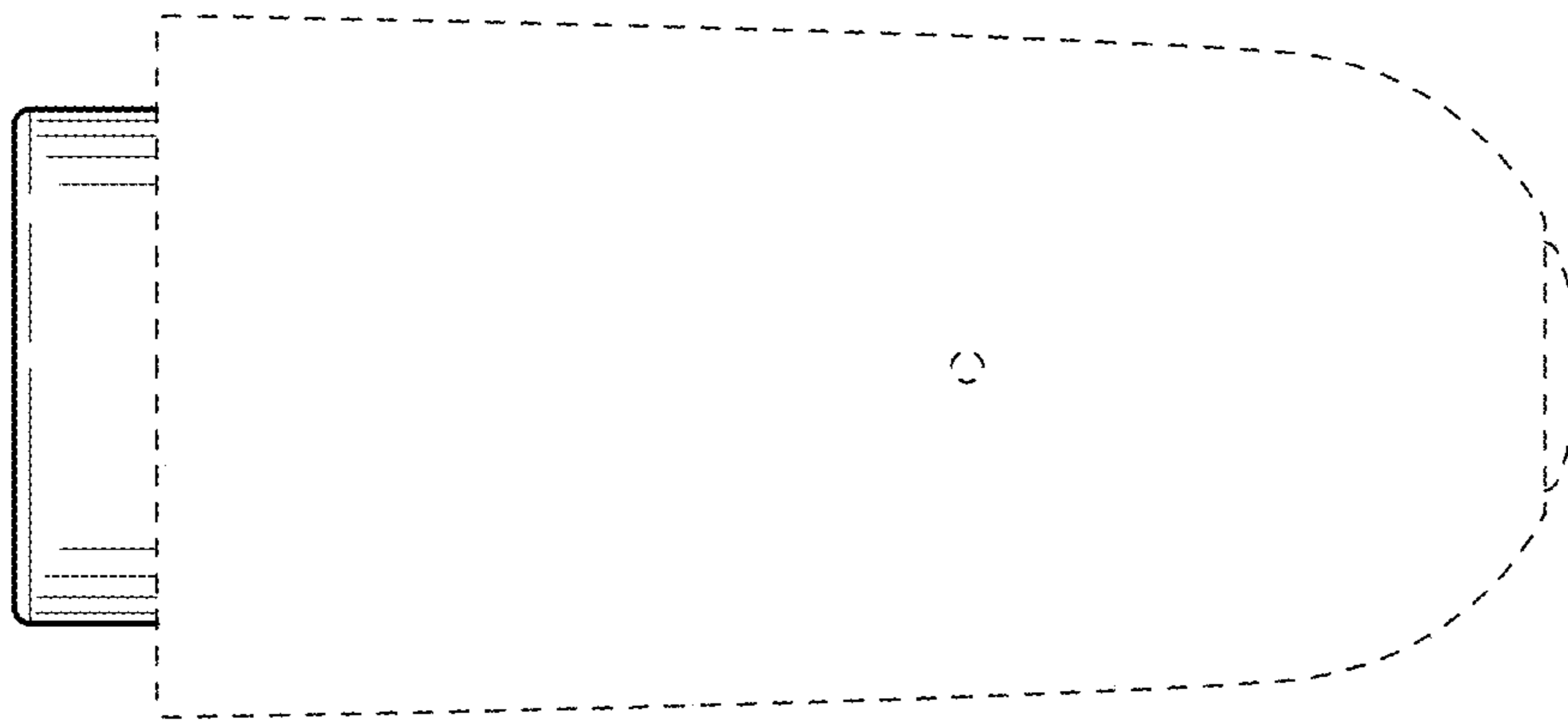


Fig. 4.

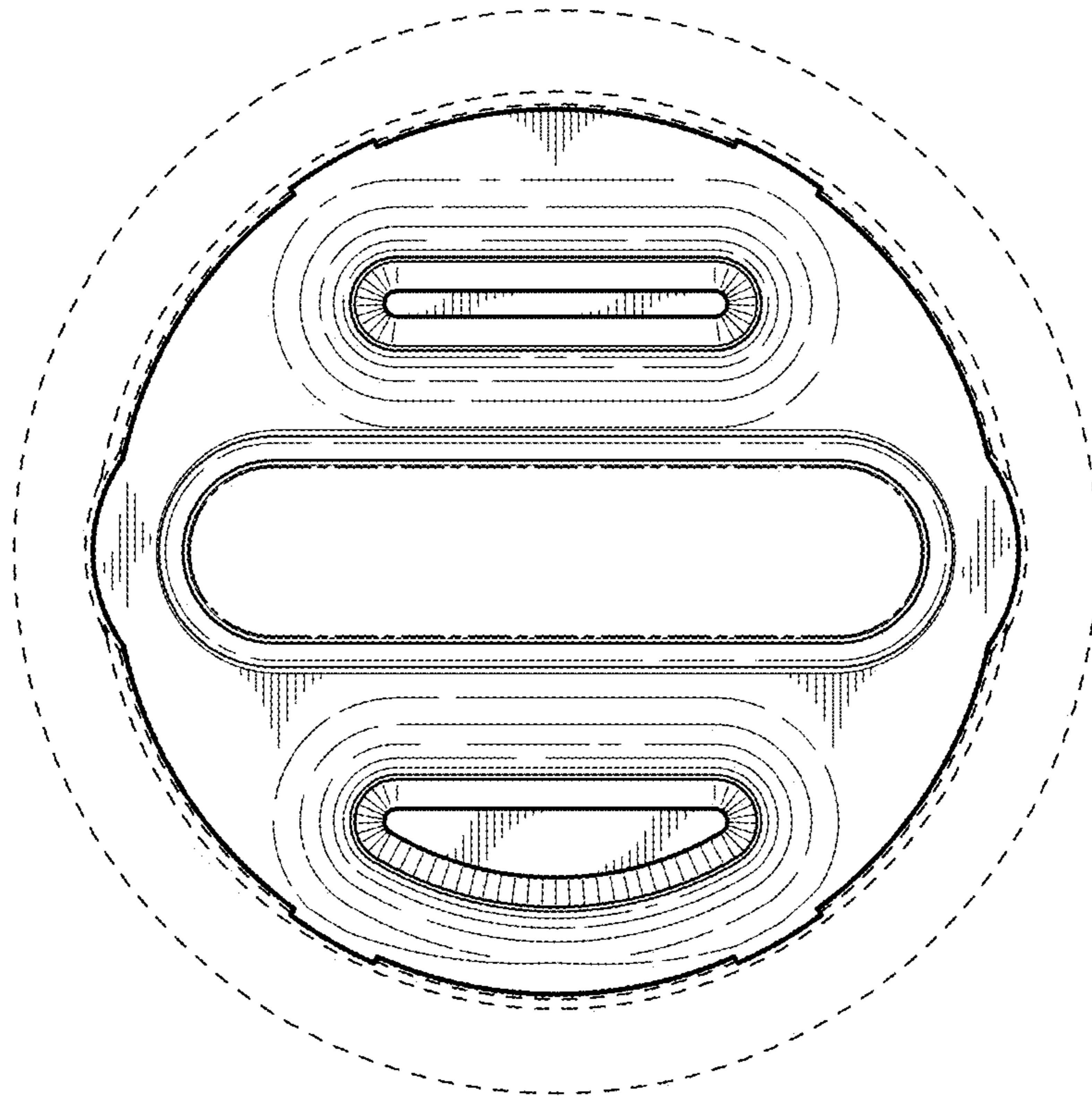


Fig. 5.