

US00D934245S

(12) **United States Design Patent** (10) **Patent No.:** **US D934,245 S**  
**Han et al.** (45) **Date of Patent:** **\*\* Oct. 26, 2021**

(54) **MONITOR FOR MEDICAL PURPOSES**

(71) Applicant: **LG Electronics Inc.**, Seoul (KR)

(72) Inventors: **Kyongtae Han**, Seoul (KR); **Daihyung Ryu**, Seoul (KR); **Junghyun Min**, Seoul (KR)

(73) Assignee: **LG Electronics Inc.**, Seoul (KR)

(\*\*) Term: **15 Years**

(21) Appl. No.: **35/509,830**

(22) Filed: **Jan. 14, 2020**

(80) **Hague Agreement Data**

Int. Filing Date: **Jan. 14, 2020**  
Int. Reg. No.: **DM/206005**  
Int. Reg. Date: **Jan. 14, 2020**  
Int. Reg. Pub. Date: **Jul. 17, 2020**

(51) **LOC (13) Cl.** ..... **14-03**

(52) **U.S. Cl.**  
USPC ..... **D14/374**; D24/185

(58) **Field of Classification Search**  
USPC ..... D14/125–129, 132, 239, 336, 341,  
D14/373–377, 380, 451; D24/185, 186  
CPC ..... G06F 1/1601; G06F 1/1605; G06F 1/162  
See application file for complete search history.

(56) **References Cited**

**U.S. PATENT DOCUMENTS**

D631,042 S \* 1/2011 Chen ..... D14/337  
D669,077 S \* 10/2012 McManigal ..... D14/374  
D712,397 S \* 9/2014 Akana ..... D14/336  
D726,717 S \* 4/2015 Lee ..... D14/371  
D727,893 S \* 4/2015 Lee ..... D14/336  
D732,029 S \* 6/2015 Huh ..... D14/374  
D747,717 S \* 1/2016 Kim ..... D14/371

D763,255 S \* 8/2016 Lee ..... D14/371  
D819,029 S \* 5/2018 Seo ..... D14/374  
D835,096 S \* 12/2018 Woo ..... D14/336  
D836,110 S \* 12/2018 Quijano ..... D14/374  
D854,540 S \* 7/2019 Kim ..... D14/336  
2016/0291387 A1 \* 10/2016 Asanuma ..... G02F 1/133308

**FOREIGN PATENT DOCUMENTS**

CN 201230397258 \* 8/2012

**OTHER PUBLICATIONS**

LG Diagnostic Monitor for Mammo HD, upload date Nov. 23, 2020,  
[online] URL: <https://www.youtube.com/watch?v=CgcTfgUPM5E>  
(Year: 2020).\*

\* cited by examiner

*Primary Examiner* — L. A. Grabenstetter  
(74) *Attorney, Agent, or Firm* — Birch, Stewart, Kolasch  
& Birch, LLP

(57) **CLAIM**

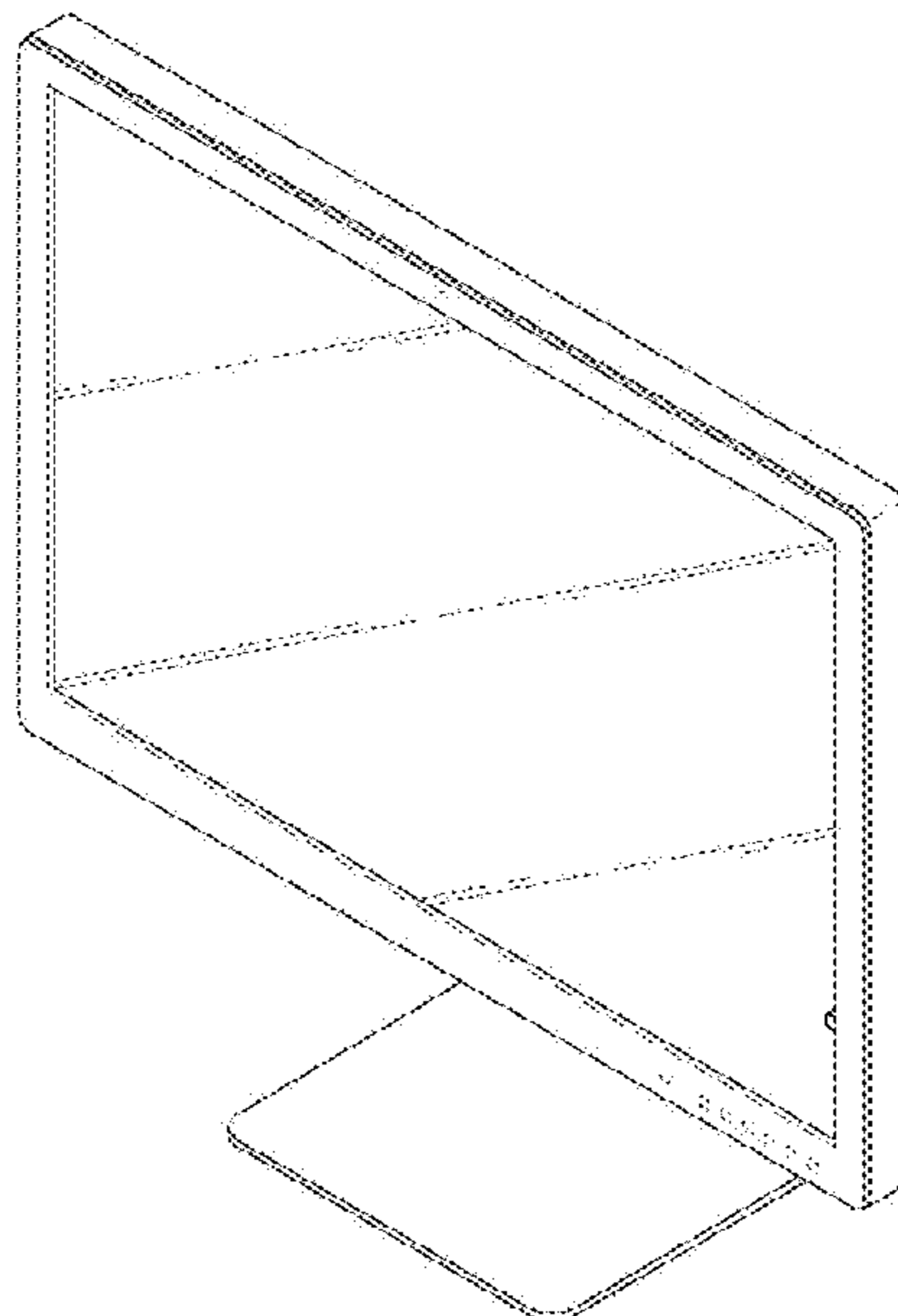
The ornamental design for a monitor for medical purposes,  
as shown and described.

**DESCRIPTION**

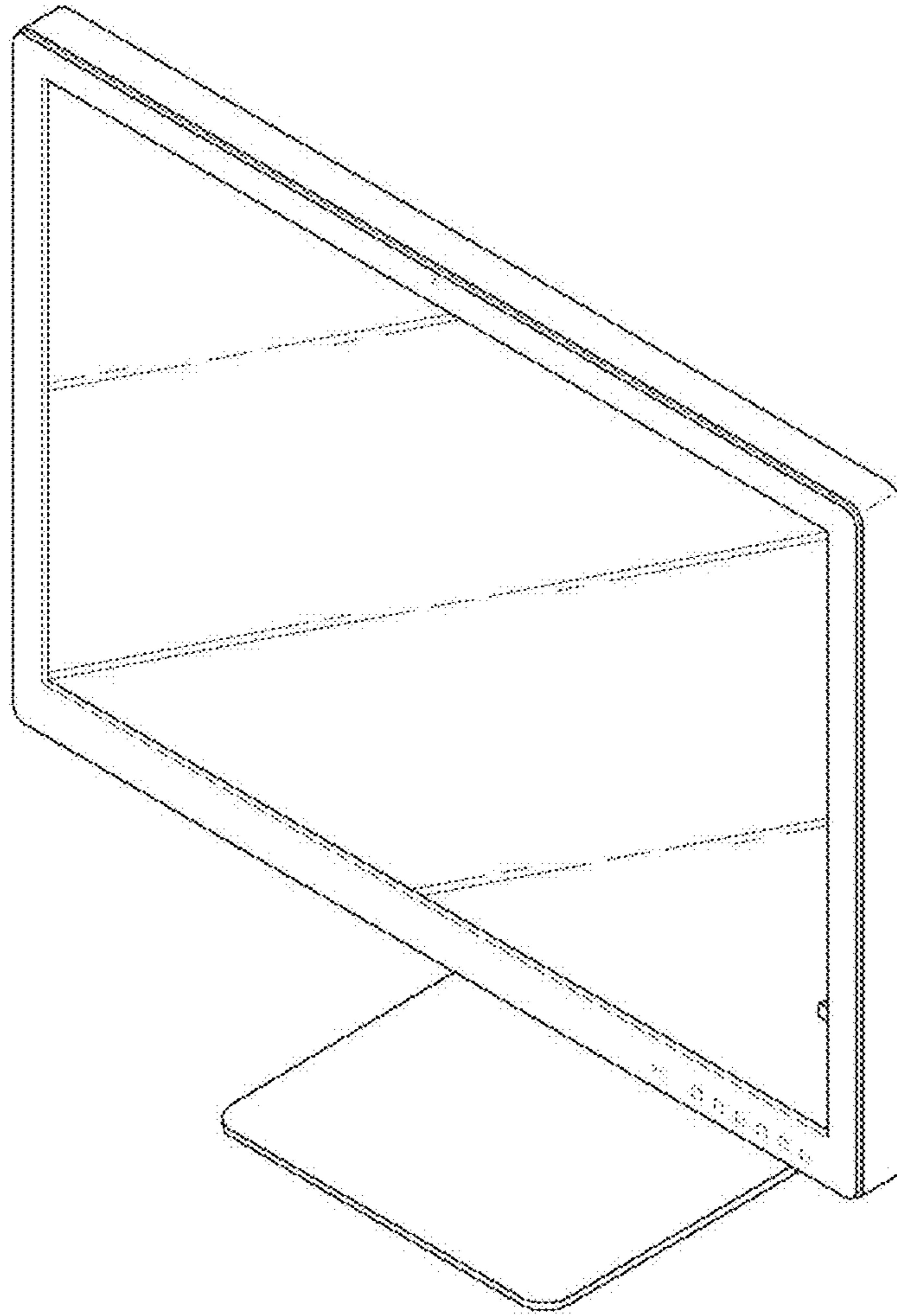
- 1. Monitor for medical purposes
- 1.1 : Perspective
- 1.2 : Front
- 1.3 : Back
- 1.4 : Left
- 1.5 : Right
- 1.6 : Top
- 1.7 : Bottom

The broken lines show portions of the monitor for medical  
purposes that form no part of the claimed design.

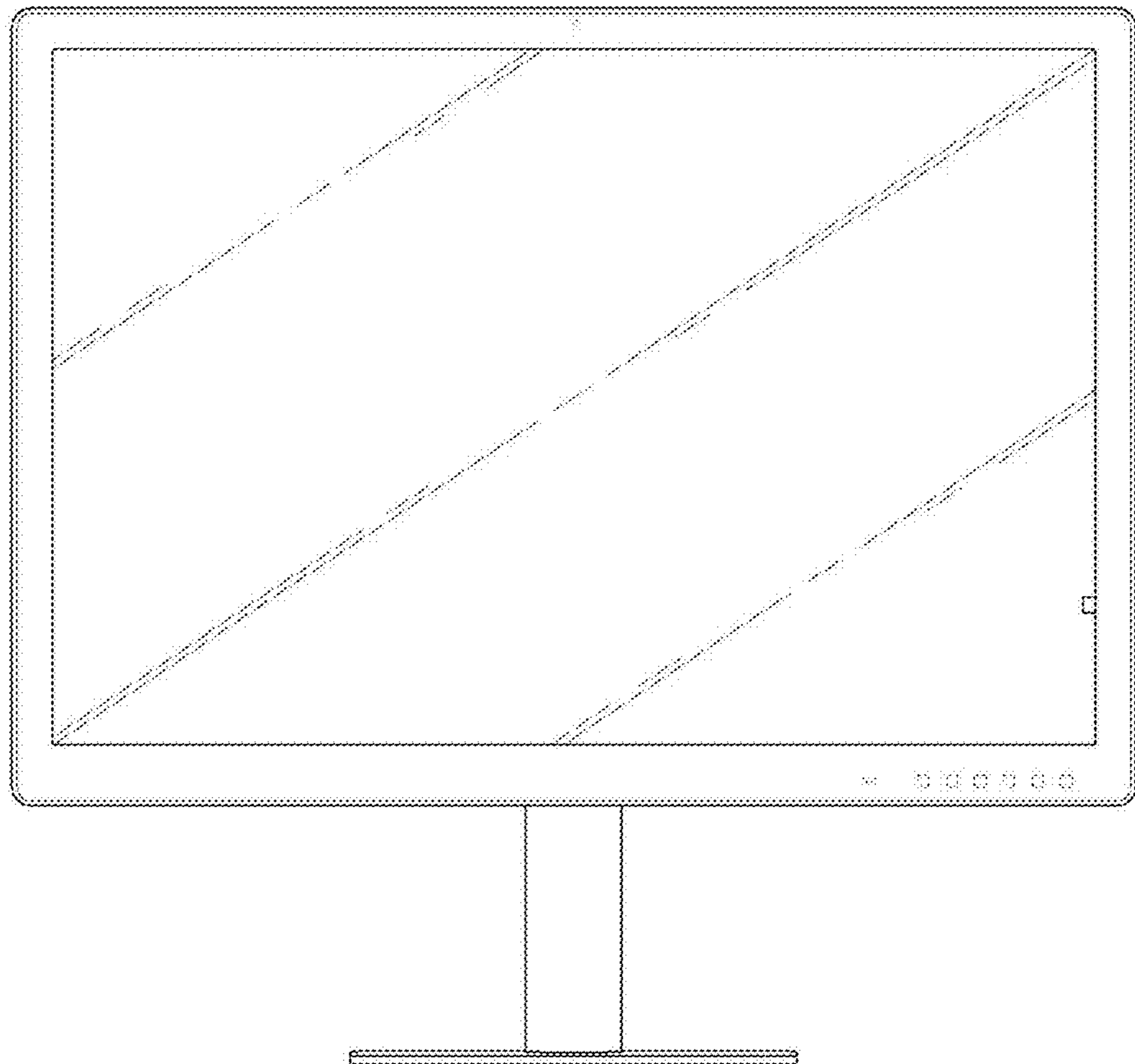
**1 Claim, 7 Drawing Sheets**



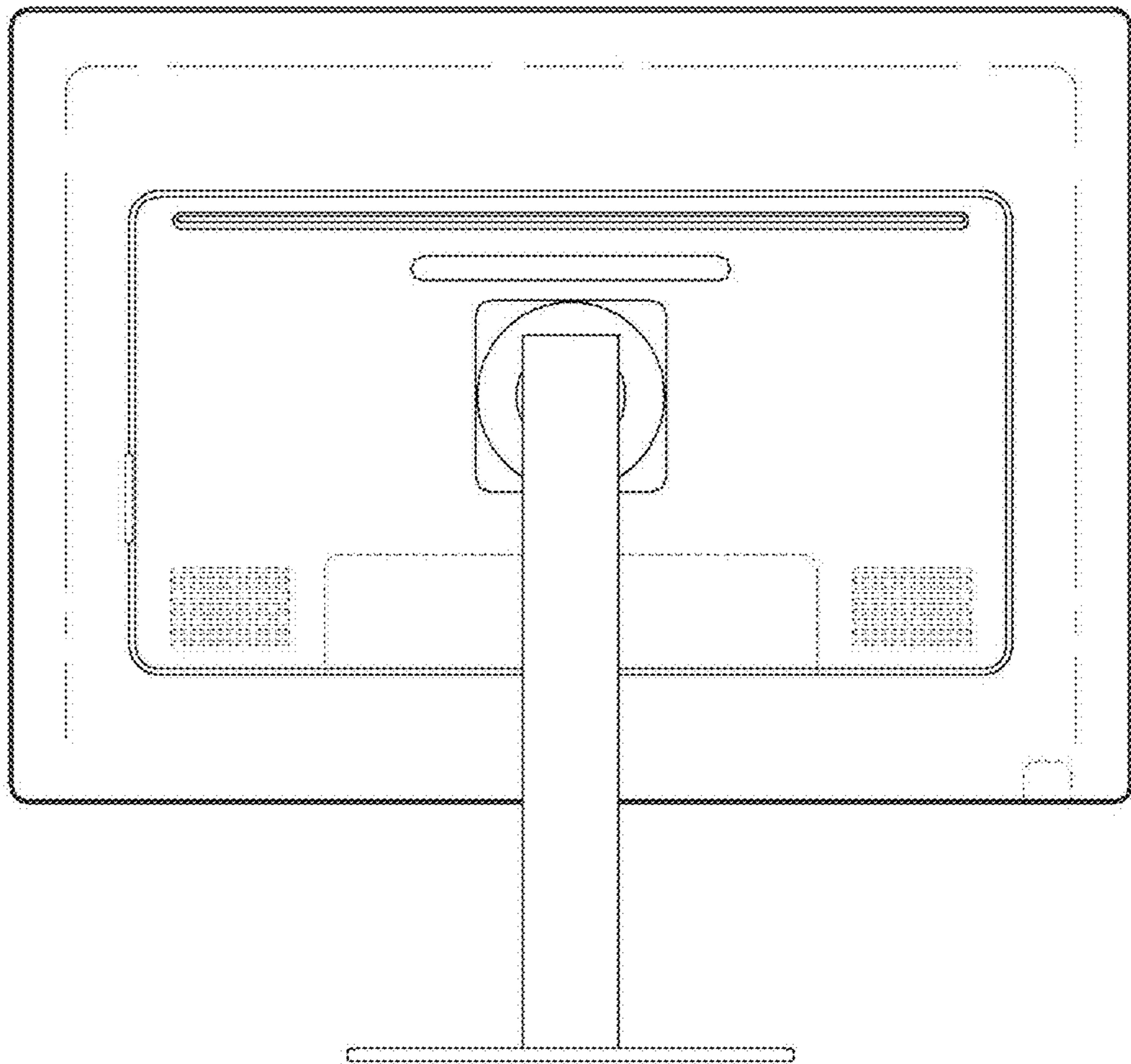
1.1



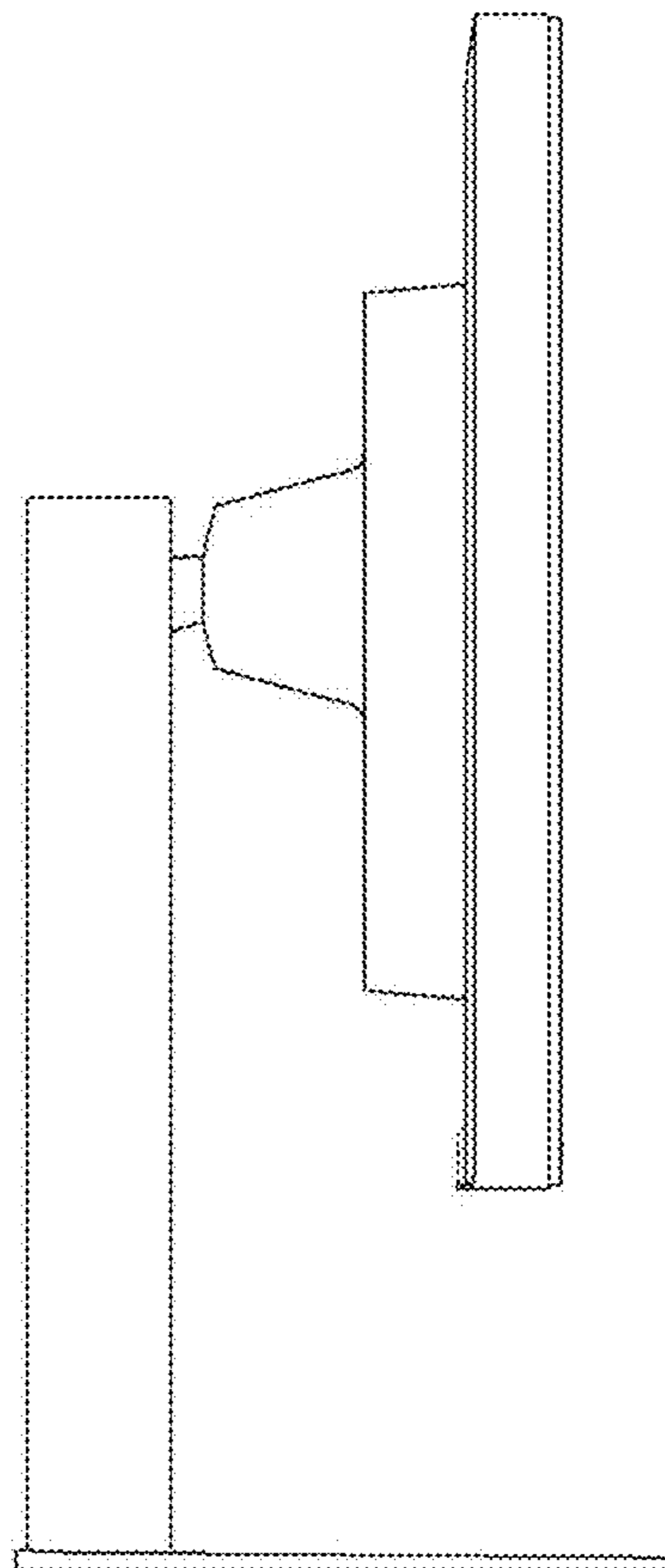
1.2



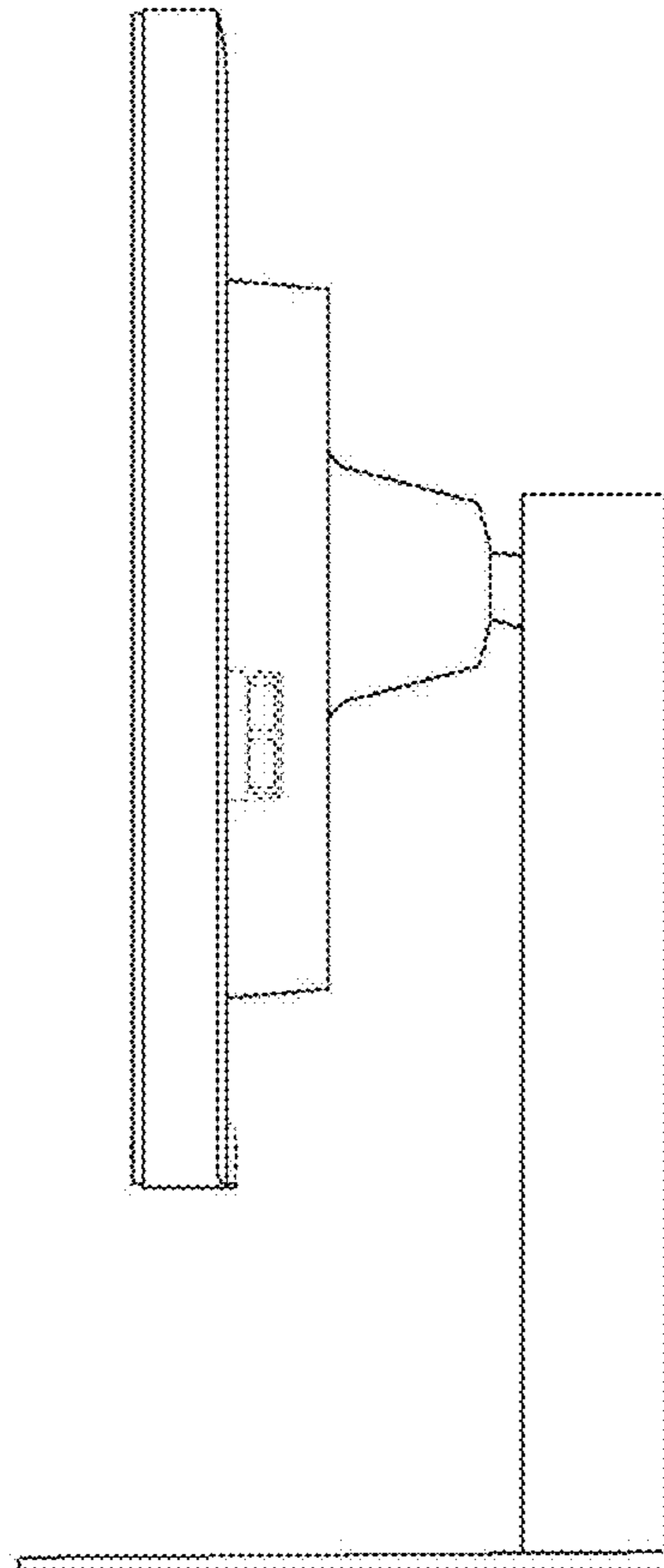
1.3



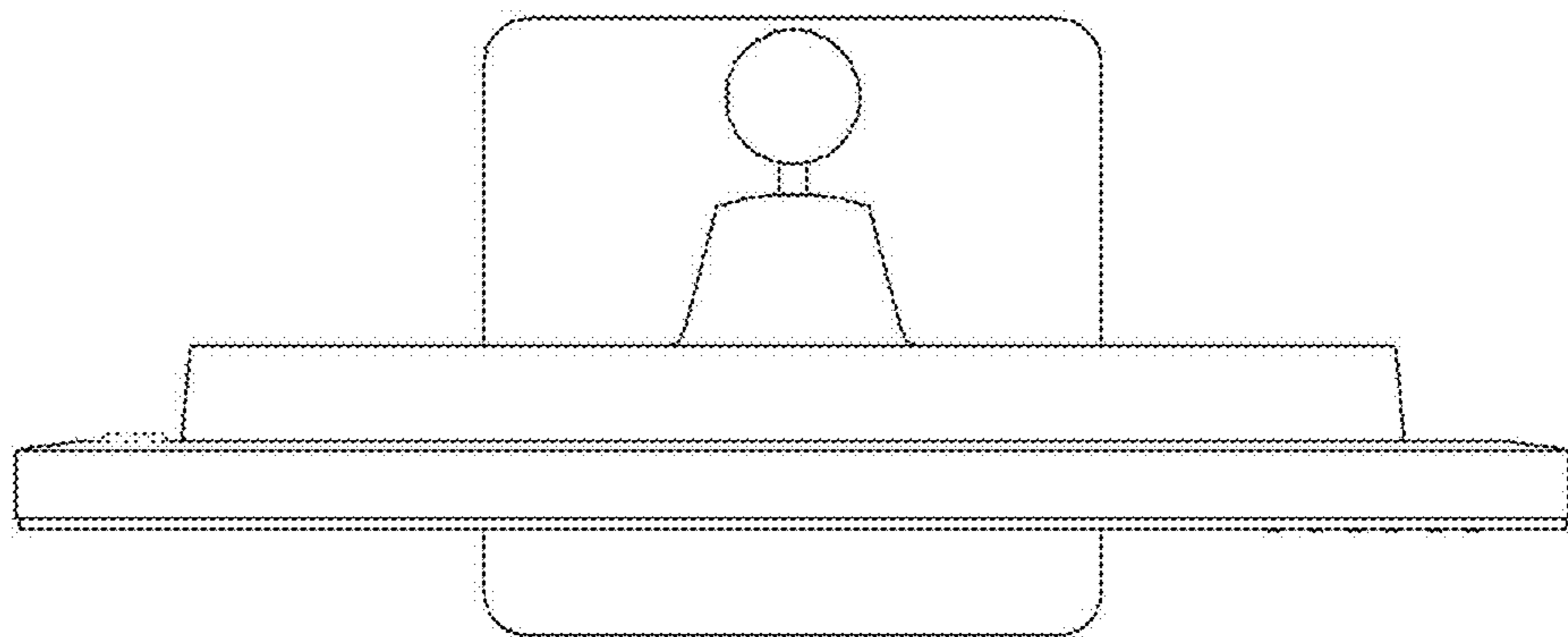
1.4



1.5



1.6



1.7

