

US00D934243S

(12) **United States Design Patent** (10) **Patent No.:** **US D934,243 S**
Jackson et al. (45) **Date of Patent:** **** Oct. 26, 2021**

(54) **HEAD WEARABLE DEVICE**

(56) **References Cited**

(71) Applicant: **MacuLogix**, Harrisburg, PA (US)

U.S. PATENT DOCUMENTS

(72) Inventors: **Gregory R. Jackson**, Hershey, PA (US); **David E. Beecher**, Shippensburg, PA (US); **David E. Orr**, Piedmont, SC (US); **Frank Jones**, Carp (CA); **Nathan Smith**, Lewistown, PA (US)

D840,397 S *	2/2019	Li	D14/372
D860,992 S *	9/2019	Bristol	D14/372
D865,762 S *	11/2019	Lau	D14/372
D883,979 S *	5/2020	Chen	D14/372
D883,980 S *	5/2020	Chen	D14/372
10,667,683 B2 *	6/2020	Jackson	A61B 3/028
D892,792 S *	8/2020	Miller	D14/372
D893,478 S *	8/2020	Watanabe	D14/372
D898,738 S *	10/2020	Denhez	D14/372
D900,095 S *	10/2020	Wang	D14/372
D900,099 S *	10/2020	Park	D14/372
D918,903 S *	5/2021	Jackson	D14/372
D918,904 S *	5/2021	Jackson	D14/372

(73) Assignee: **MACULOGIX, INC.**, Harrisburg, PA (US)

(**) Term: **15 Years**

* cited by examiner

(21) Appl. No.: **29/782,923**

Primary Examiner — Austin Murphy

(22) Filed: **May 10, 2021**

(74) *Attorney, Agent, or Firm* — White & Case LLP

Related U.S. Application Data

(57) **CLAIM**

The ornamental design for a head wearable device, as shown and described.

(63) Continuation-in-part of application No. 29/706,614, filed on Sep. 21, 2019, now Pat. No. Des. 918,904.

DESCRIPTION

(51) **LOC (13) Cl.** **14-02**

FIG. 1 is a perspective view of the ornamental design; FIG. 2 is a front view of the ornamental design; FIG. 3 is a back view of the ornamental design; FIG. 4 is a side view of the ornamental design; FIG. 5 is another side view of the ornamental design; FIG. 6 is a top view of the ornamental design; FIG. 7 is a bottom view of the ornamental design; and, FIG. 8 is a perspective view of the ornamental design in an expanded form.

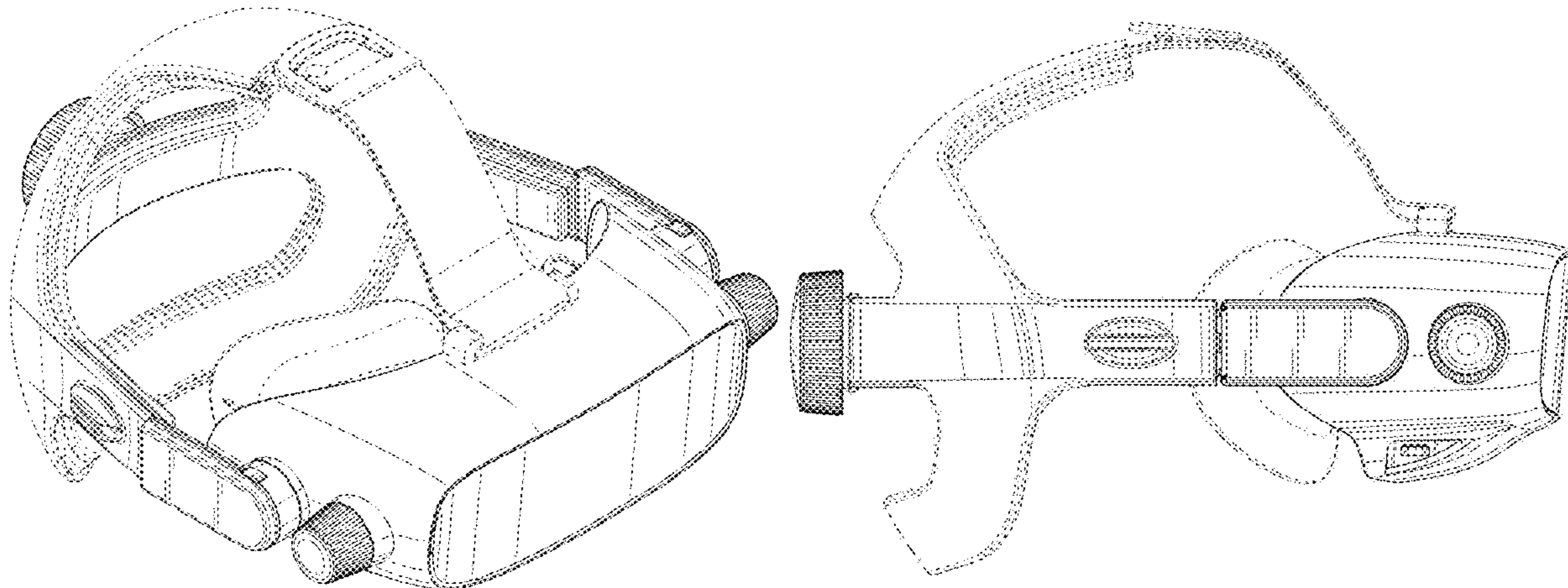
(52) **U.S. Cl.**
USPC **D14/372**

The dashed lines are also for purposes of showing environmental structure and operational use only, and form no part of the claimed ornamental design.

(58) **Field of Classification Search**
USPC D14/372, 496, 432, 371, 125, 126, 129, D14/299; D16/300–342; 351/158, 153, 351/144; 345/7–9, 905; 455/344; 348/115, 53, 121, 739
CPC G02B 27/017; G02B 27/0158; G02B 27/0161; G02B 27/0181; G02B 27/0185; G02B 27/0189

See application file for complete search history.

1 Claim, 8 Drawing Sheets



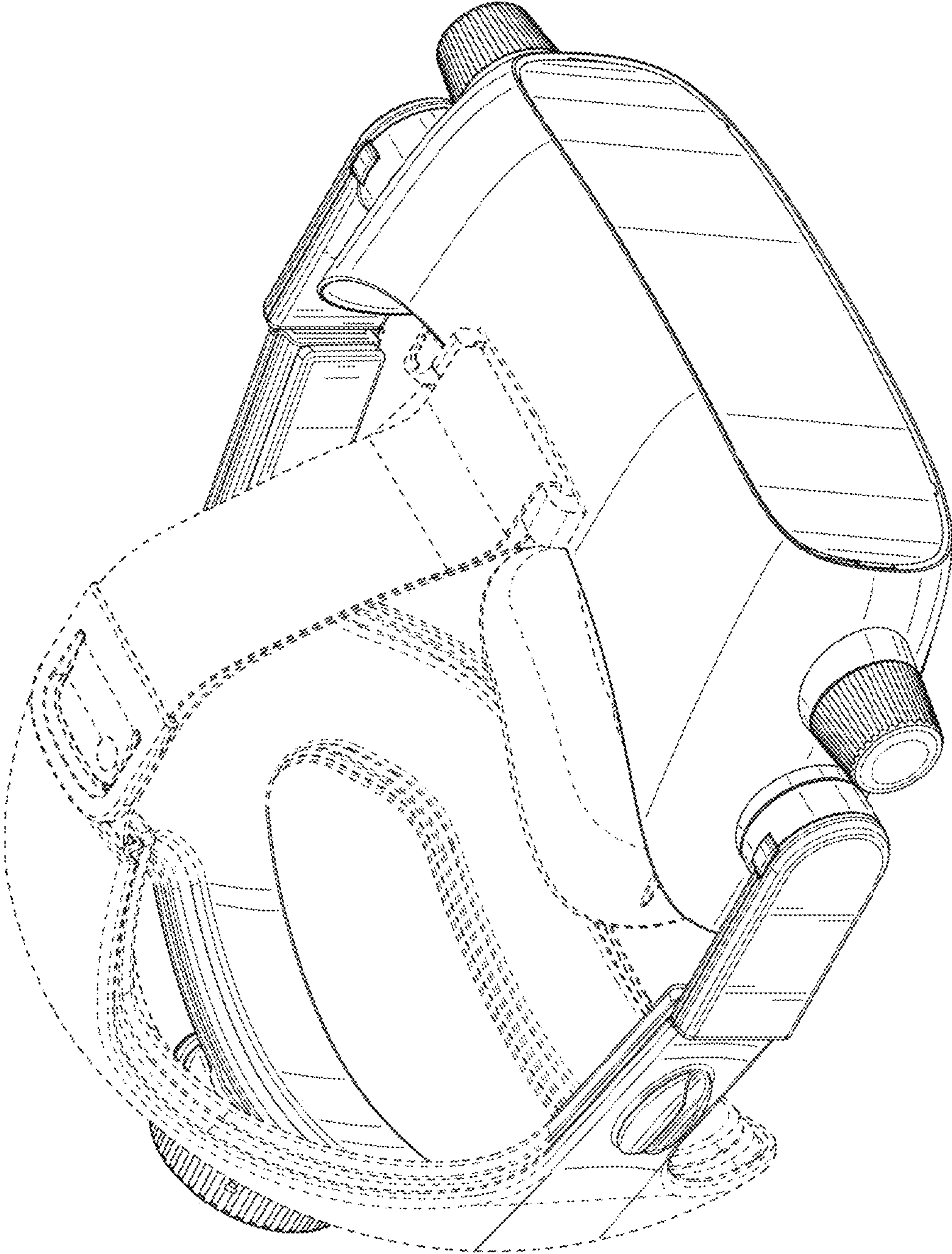


FIG. 1

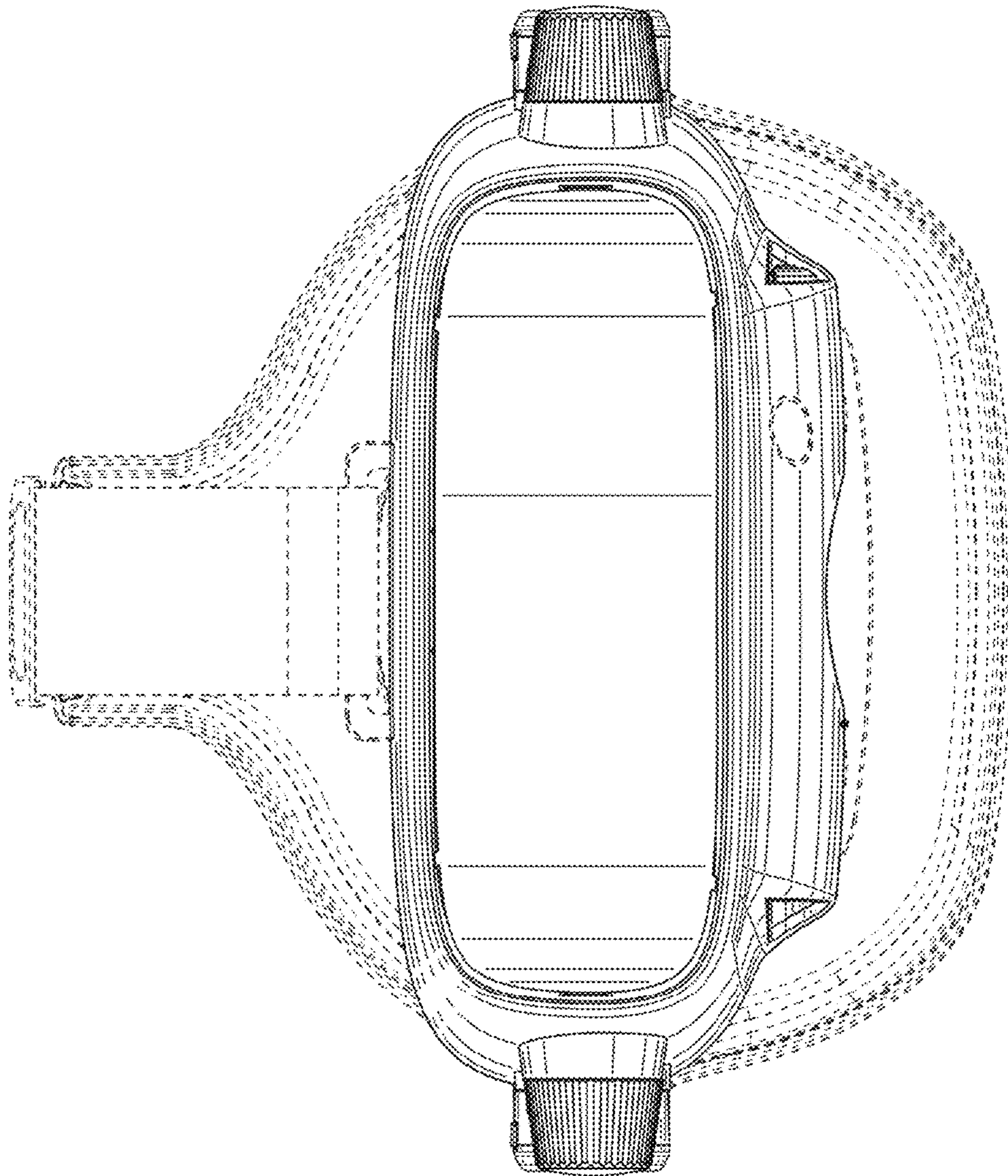


FIG. 2

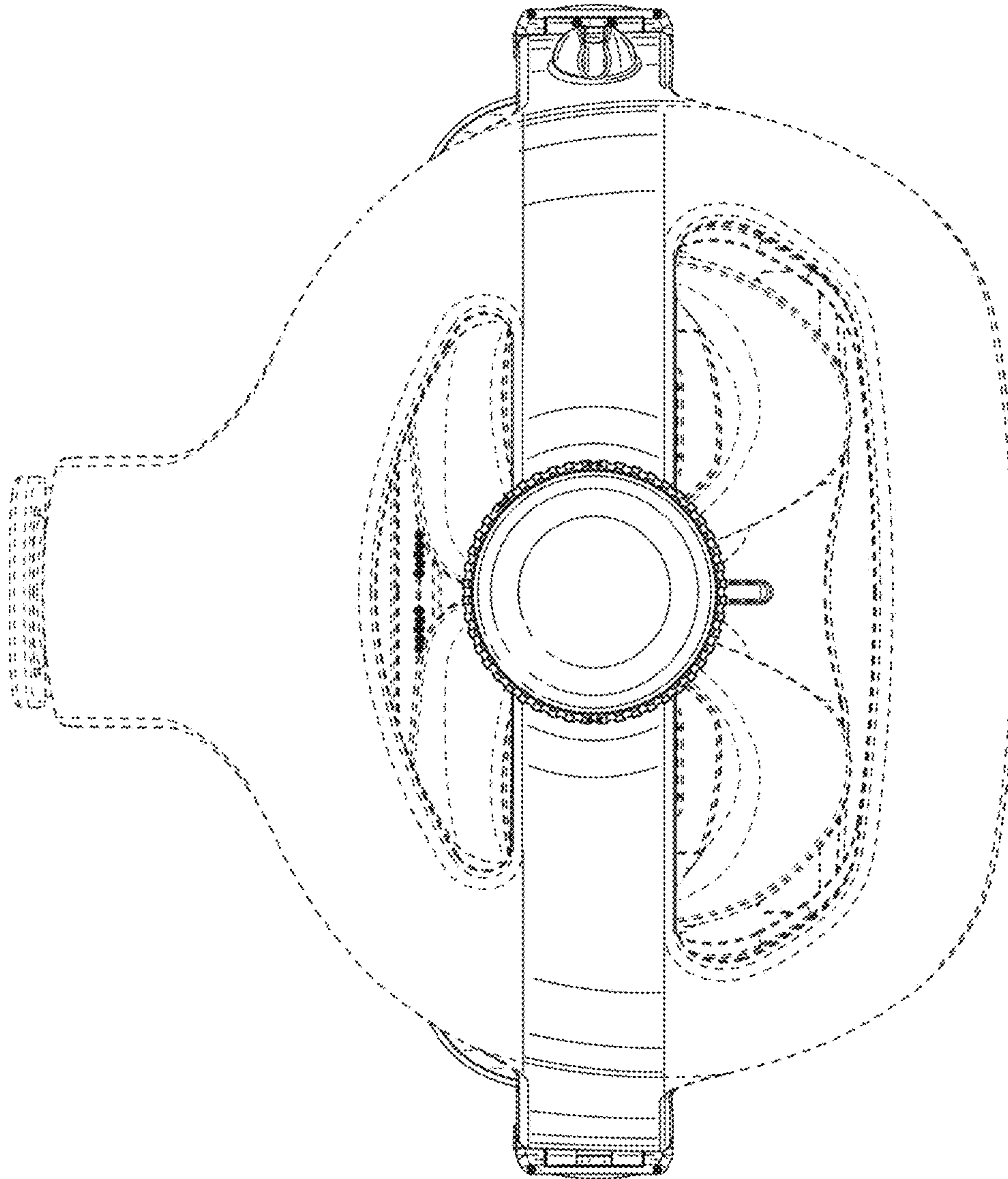


FIG. 3

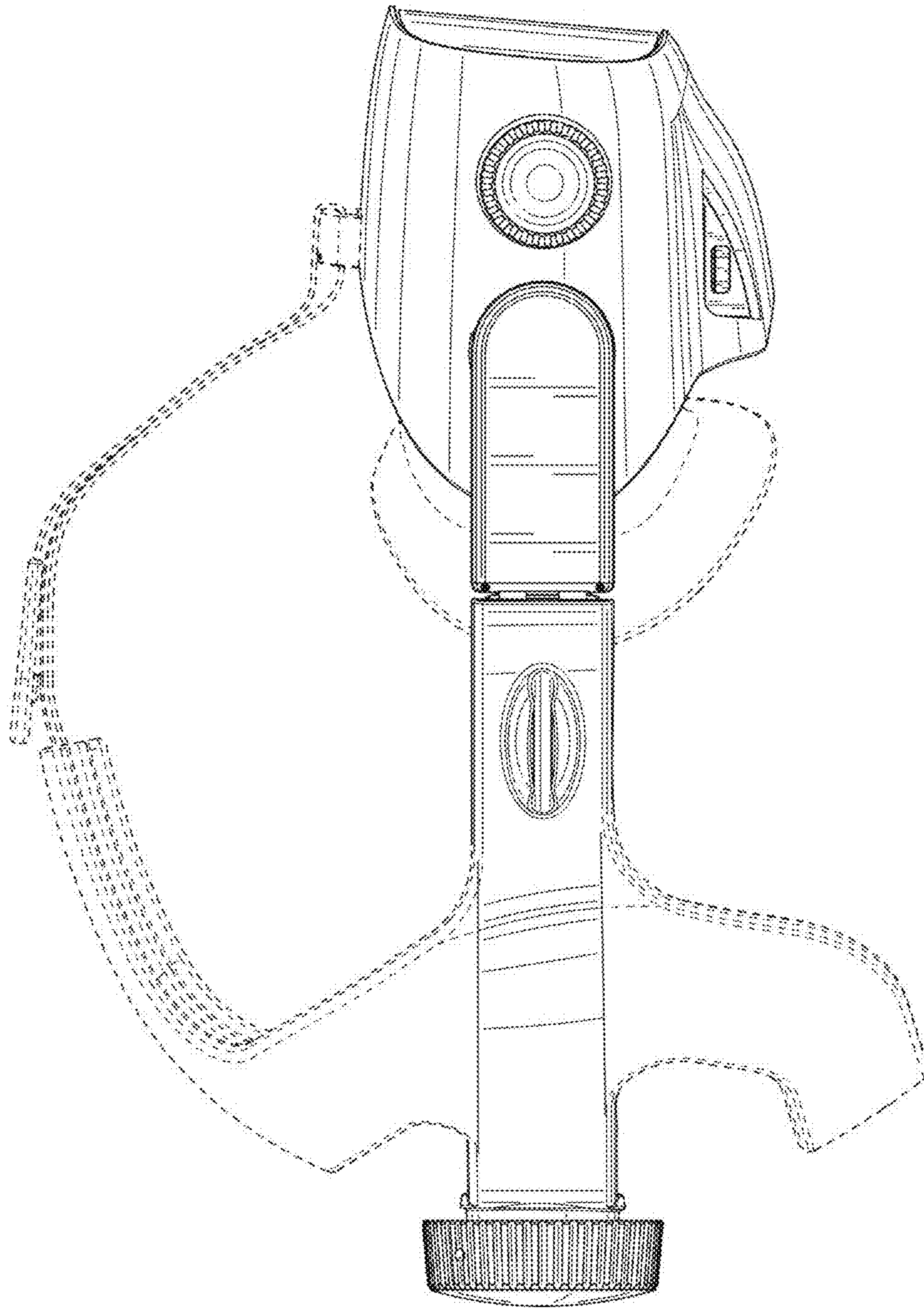


FIG. 4

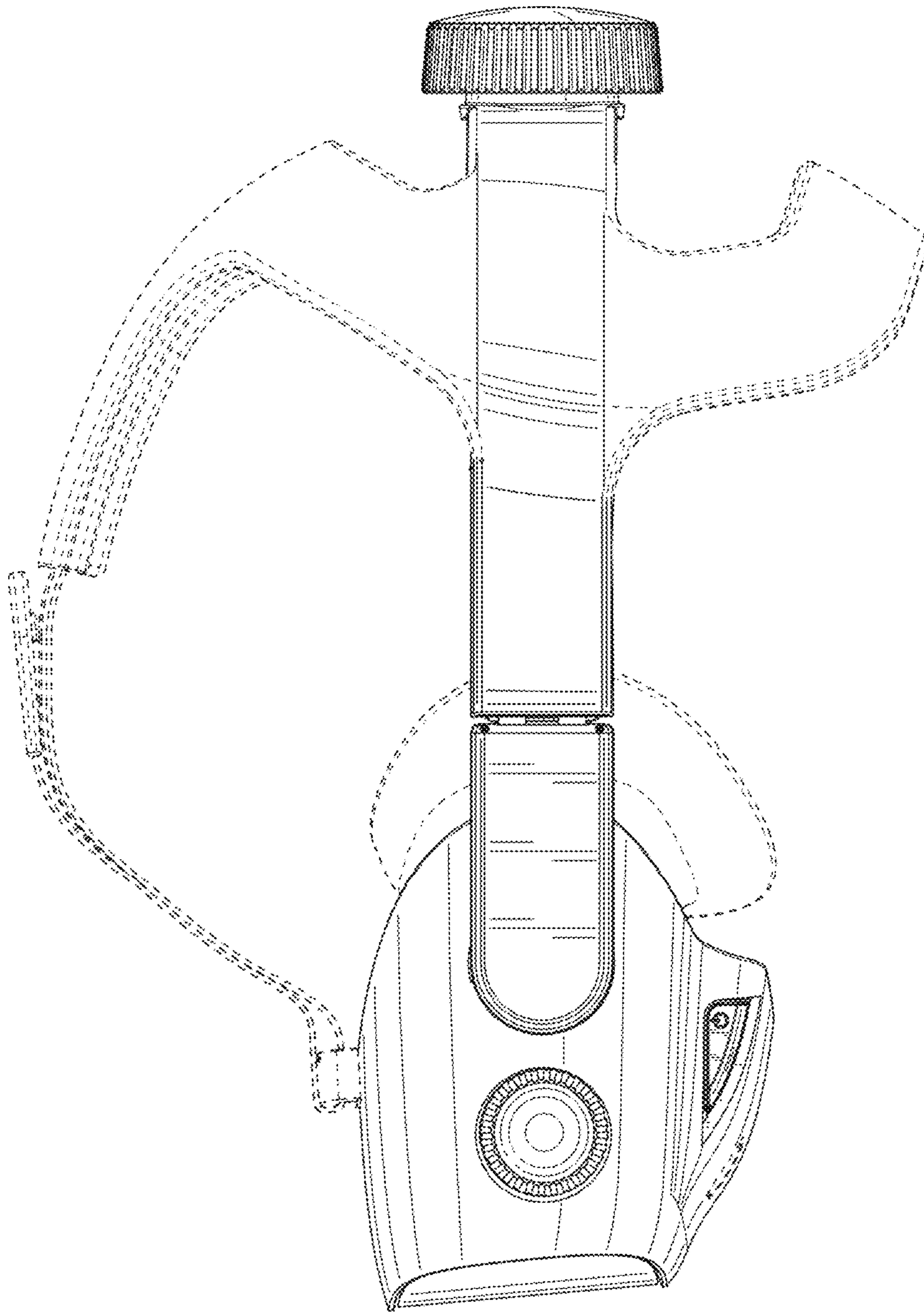


FIG. 5

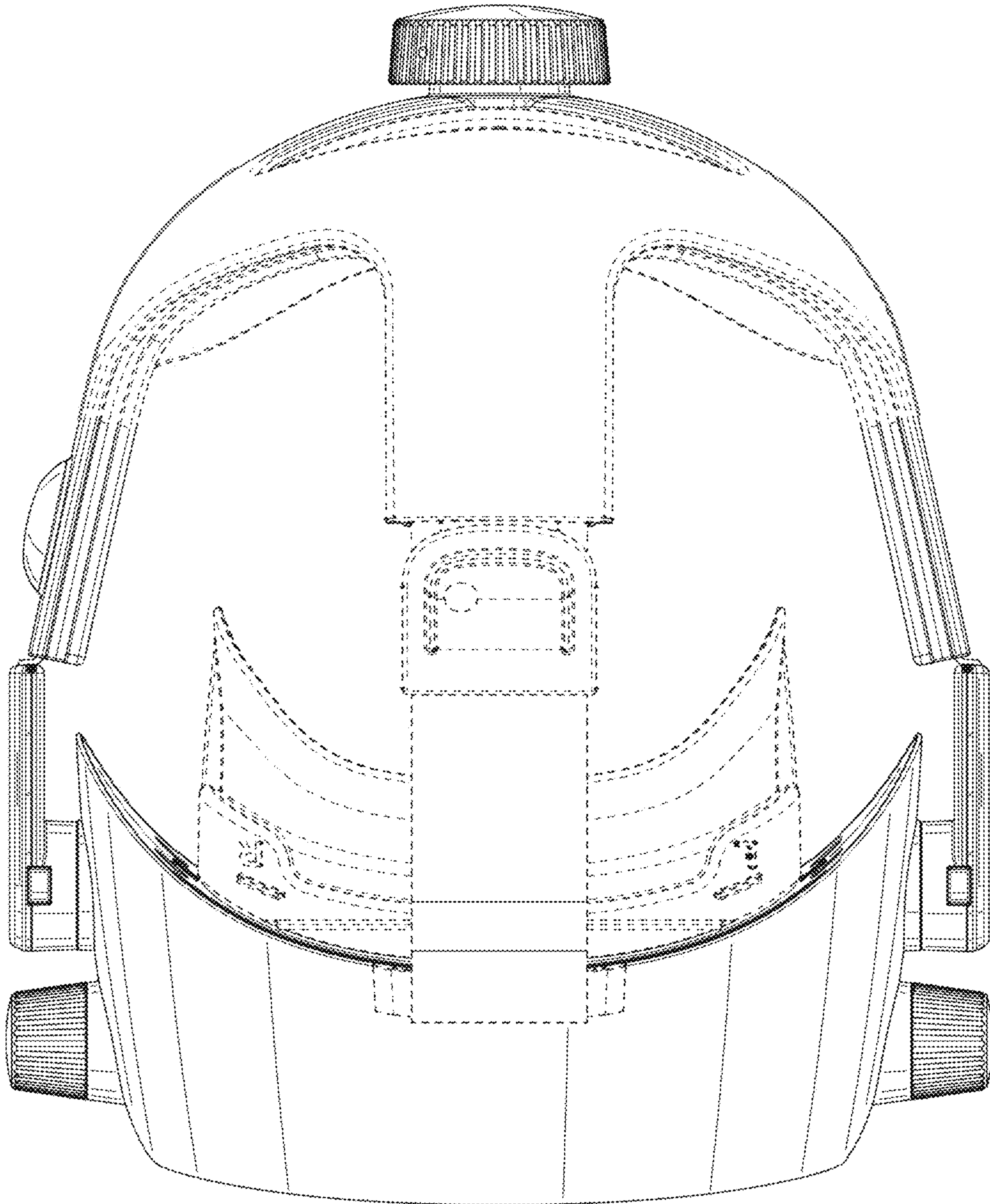


FIG. 6

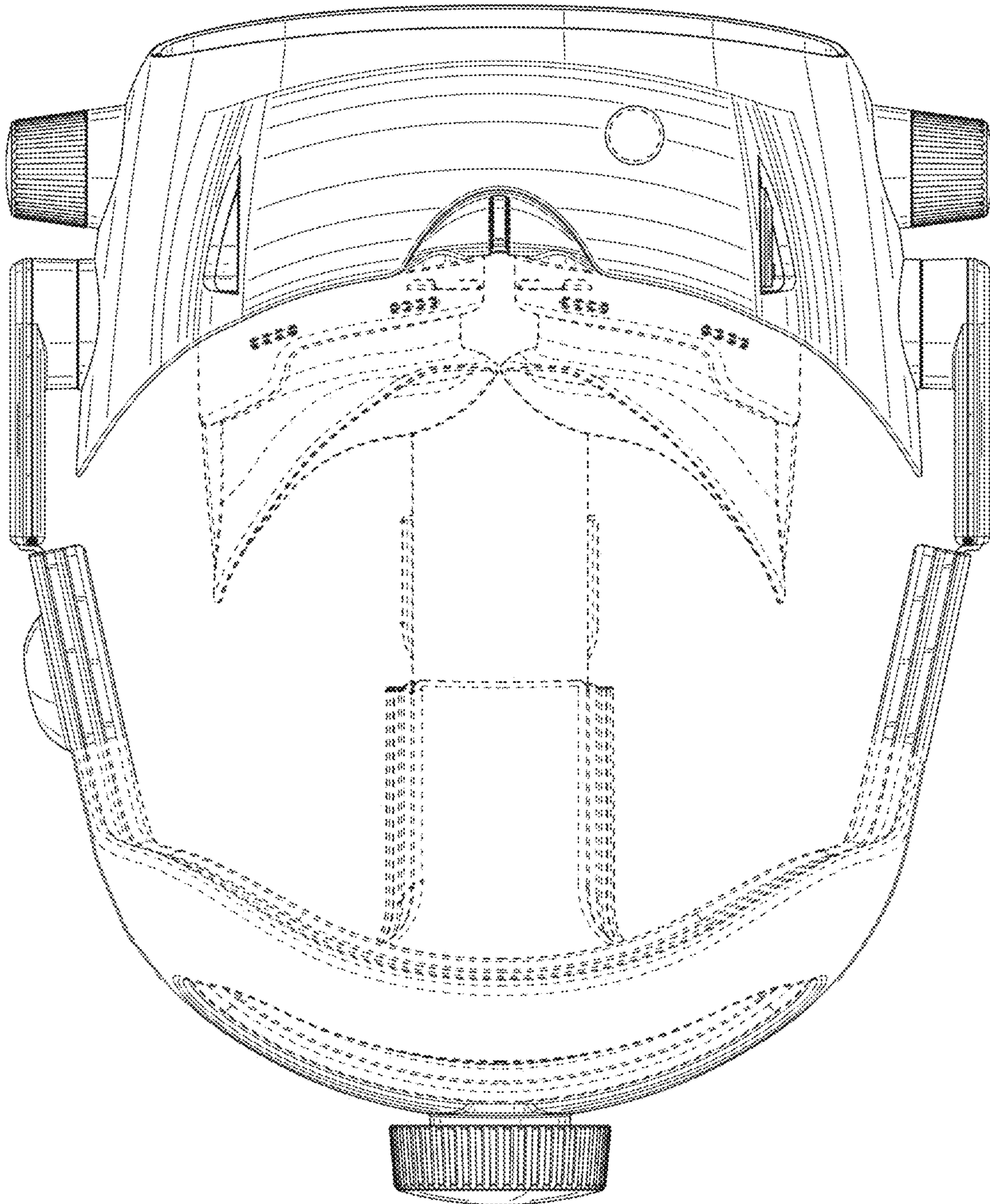


FIG. 7

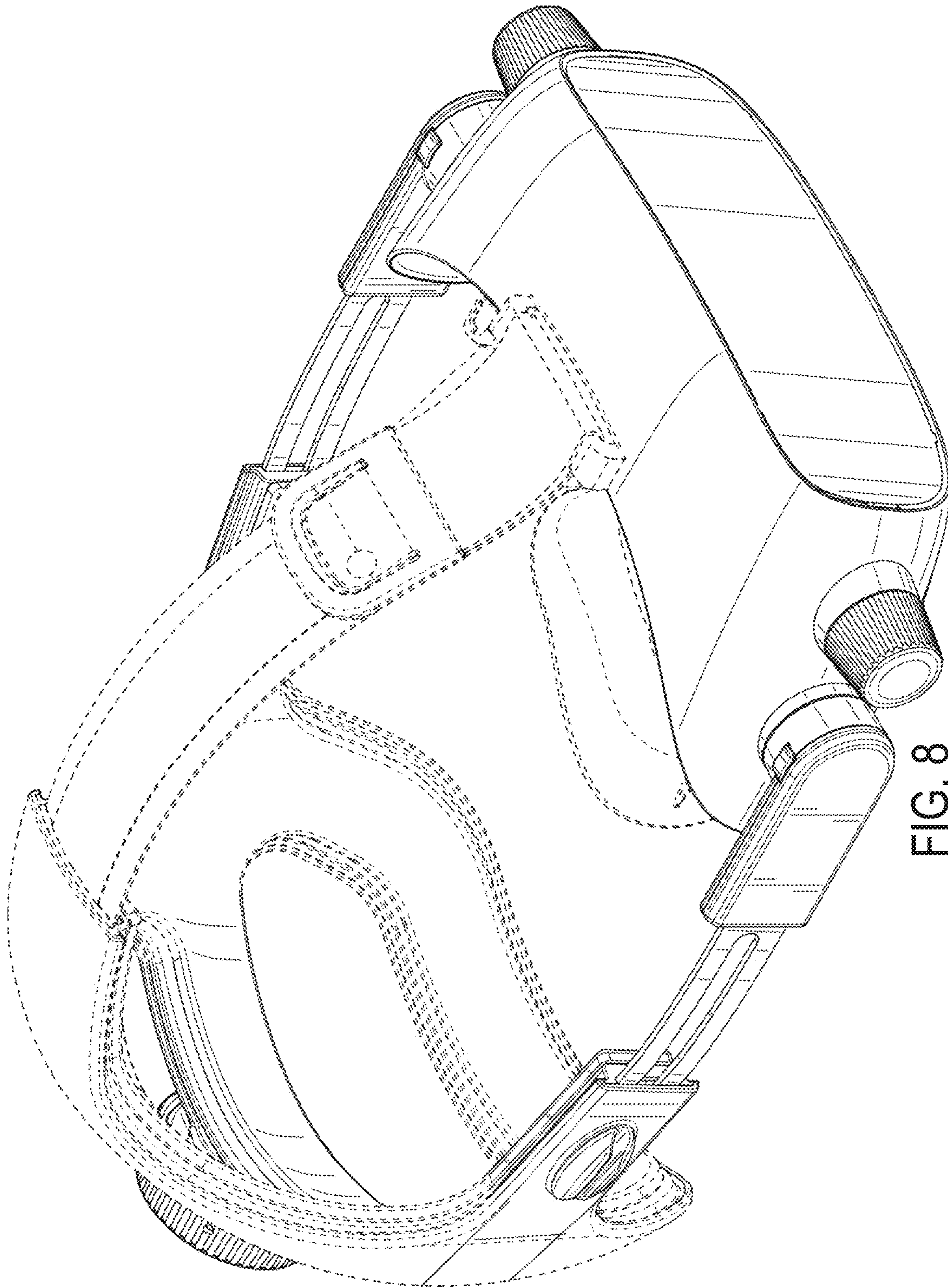


FIG. 8