



US00D934240S

(12) **United States Design Patent**  
**Holt et al.**

(10) **Patent No.:** **US D934,240 S**  
(45) **Date of Patent:** **\*\* Oct. 26, 2021**

(54) **PORTABLE ELECTRONIC DEVICE WITH CASE**

(71) Applicant: **Yumpingo Limited**, London (GB)

(72) Inventors: **James Holt**, London (GB); **Nick Woodley**, London (GB); **Andy Walker**, London (GB); **George Wetz**, London (GB); **Garry Goodman**, London (GB)

(\*\*) Term: **15 Years**

(21) Appl. No.: **35/509,355**

(22) Filed: **Nov. 15, 2019**

(80) **Hague Agreement Data**

Int. Filing Date: **Nov. 15, 2019**

Int. Reg. No.: **DM/207753**

Int. Reg. Date: **Nov. 15, 2019**

Int. Reg. Pub. Date: **May 15, 2020**

(30) **Foreign Application Priority Data**

May 17, 2019 (EM) ..... 006481073

(51) **LOC (13) Cl.** ..... **14-03**

(52) **U.S. Cl.**  
USPC ..... **D14/345**

(58) **Field of Classification Search**

USPC ..... D3/201, 212, 218, 226, 227, 247, 249,  
D3/250, 269, 303; D13/103, 107, 108,  
(Continued)

(56) **References Cited**

**U.S. PATENT DOCUMENTS**

D364,391 S \* 11/1995 *Drugge* ..... D14/345

D445,787 S \* 7/2001 *Francis* ..... D14/345

(Continued)

**OTHER PUBLICATIONS**

Yo! rolls out Yumpingo's one-minute digital review platform, publication date Nov. 7, 2019, [online][site visited Mar. 11, 2021]

URL: <https://www.yumpingo.com/single-post/yo-group-rolls-out-yumpingo-s-digital-review-platform> (Year: 2019).\*

*Primary Examiner* — L. A. Grabenstetter

(57) **CLAIM**

The ornamental design for a portable electronic device with case, as shown and described.

**DESCRIPTION**

The file of this patent contains at least one drawing/photograph executed in color. Copies of this patent with color drawing(s)/photograph(s) will be provided by the Office upon request and payment of the necessary fee.

1.1 is a front view of a first embodiment of the portable electronic device with case, shown in an open state;

1.2 is a rear view thereof;

1.3 is a bottom view thereof;

1.4 is a left side view thereof;

1.5 is a top view thereof;

1.6 is a right side view thereof;

1.7 is a rear perspective view thereof;

1.8 is a front perspective view thereof;

1.9 is a front perspective view showing the portable electronic device with case of reproduction 1.1 in a closed state;

2.1 is a front view of a second embodiment of the portable electronic device with case, shown in an open state;

2.2 is a rear view thereof;

2.3 is a bottom view thereof;

2.4 is a left side view thereof;

2.5 is a top view thereof;

2.6 is a right side view thereof;

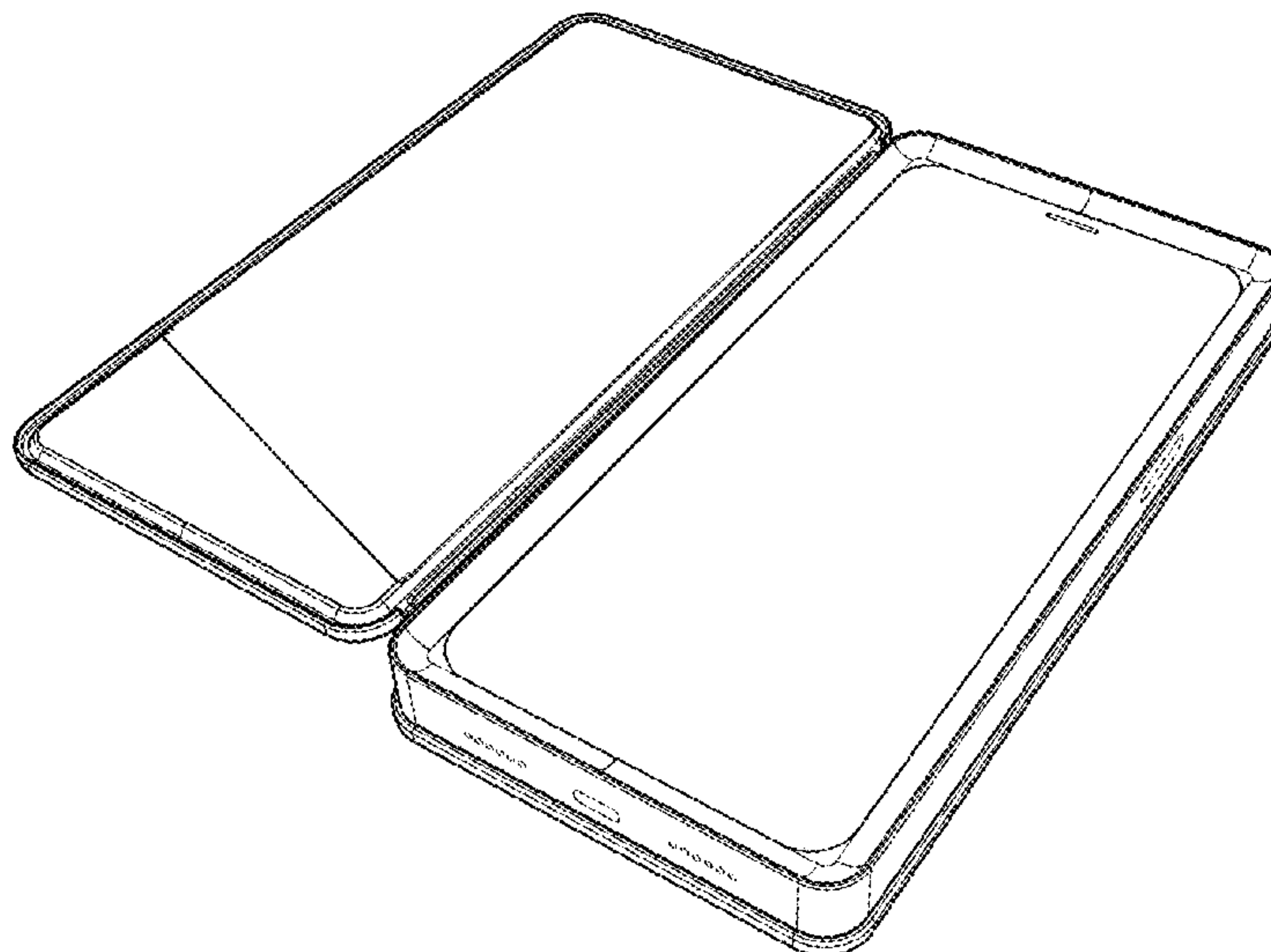
2.7 is a rear perspective view thereof;

2.8 is a front perspective view thereof; and

2.9 is a front perspective view showing the portable electronic device with case of reproduction 2.1 in a closed state.

The features shown in broken lines represent portions of the portable electronic device with case that form no part of the claimed design. The features shown within the red dashed lines are not part of the claimed design.

**1 Claim, 18 Drawing Sheets**  
**(2 of 18 Drawing Sheet(s) Filed in Color)**



(58) **Field of Classification Search**

USPC ..... D13/119; D14/137, 138 R, 138 AA,  
D14/138 C, 138 G, 172, 192,  
D14/203.3–203.7, 217, 238.1, 247, 248,  
D14/250–253, 345, 434, 440, 447, 496;  
D21/332  
CPC ..... H04B 1/3888; H04M 1/0283; H04M  
1/0202; A45C 1/06; A45C 2011/002;  
A45C 11/00; A45F 2005/028; A45F  
2200/0525

See application file for complete search history.

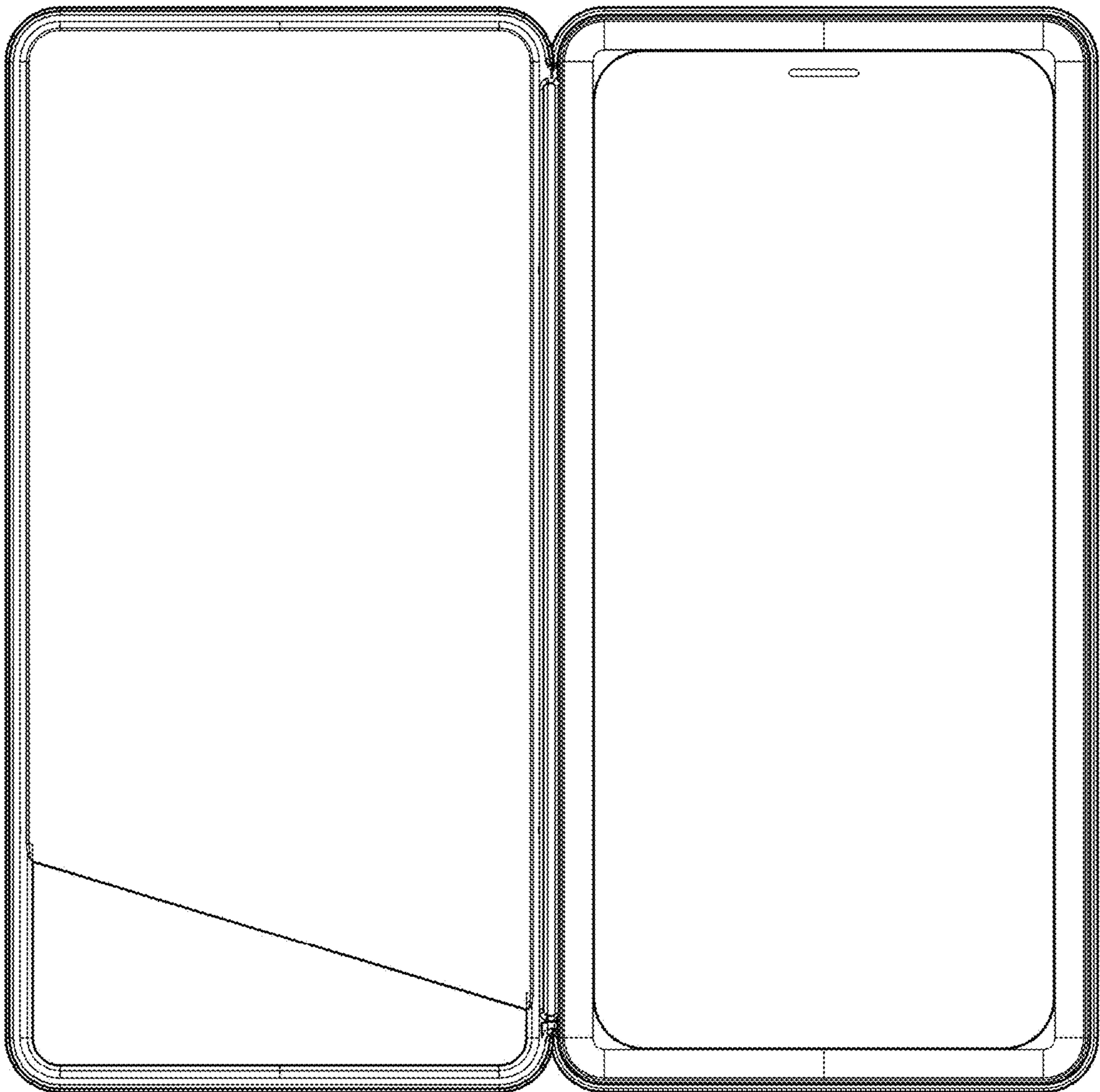
(56) **References Cited**

U.S. PATENT DOCUMENTS

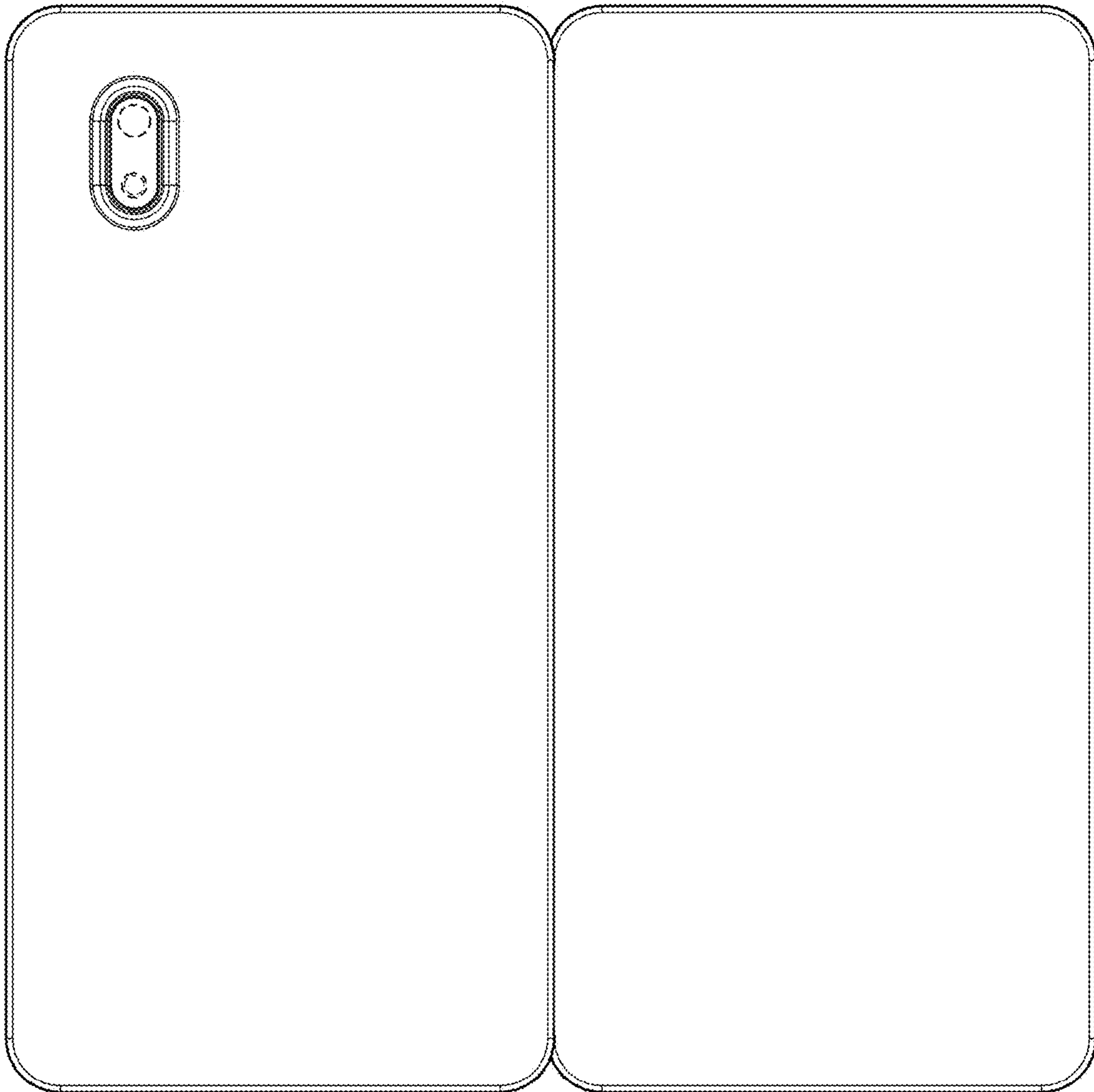
D624,517 S *	9/2010	Lee	.....	D14/138 AB
D632,271 S *	2/2011	Arnholt	.....	D14/138 AB
D676,459 S *	2/2013	Hofer	.....	D14/496
D680,527 S *	4/2013	Reeves	.....	D14/341
D681,000 S *	4/2013	Koh	.....	D14/203.4
D681,620 S *	5/2013	Huskinson	.....	D14/250
D749,574 S *	2/2016	Park	.....	D14/345
D749,576 S *	2/2016	Park	.....	D14/345
D762,615 S *	8/2016	Kim	.....	D14/203.4
D763,839 S *	8/2016	Shin	.....	D14/250
2014/0376192 A1 *	12/2014	Park	.....	G06F 1/1683 361/728

\* cited by examiner

1.1

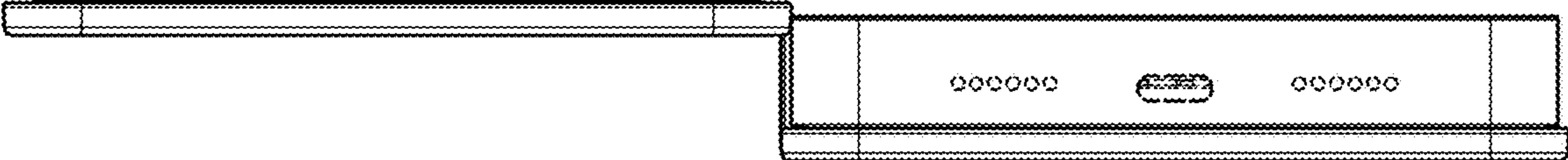


1.2

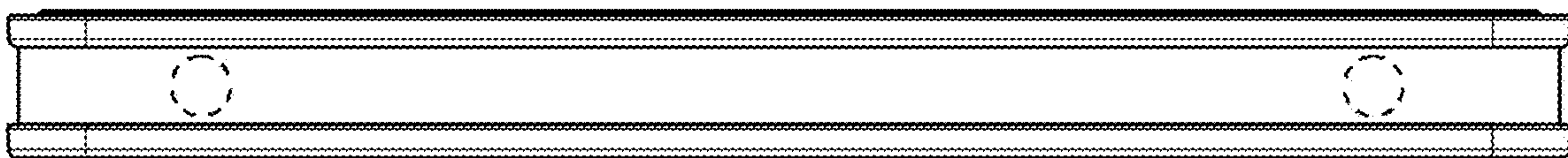




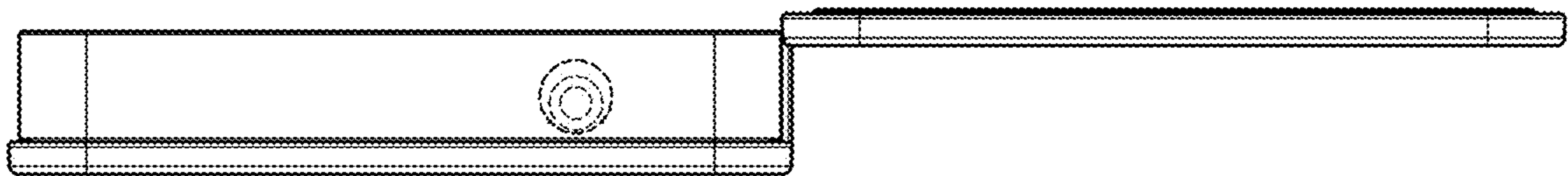
1.3



1.4



1.5

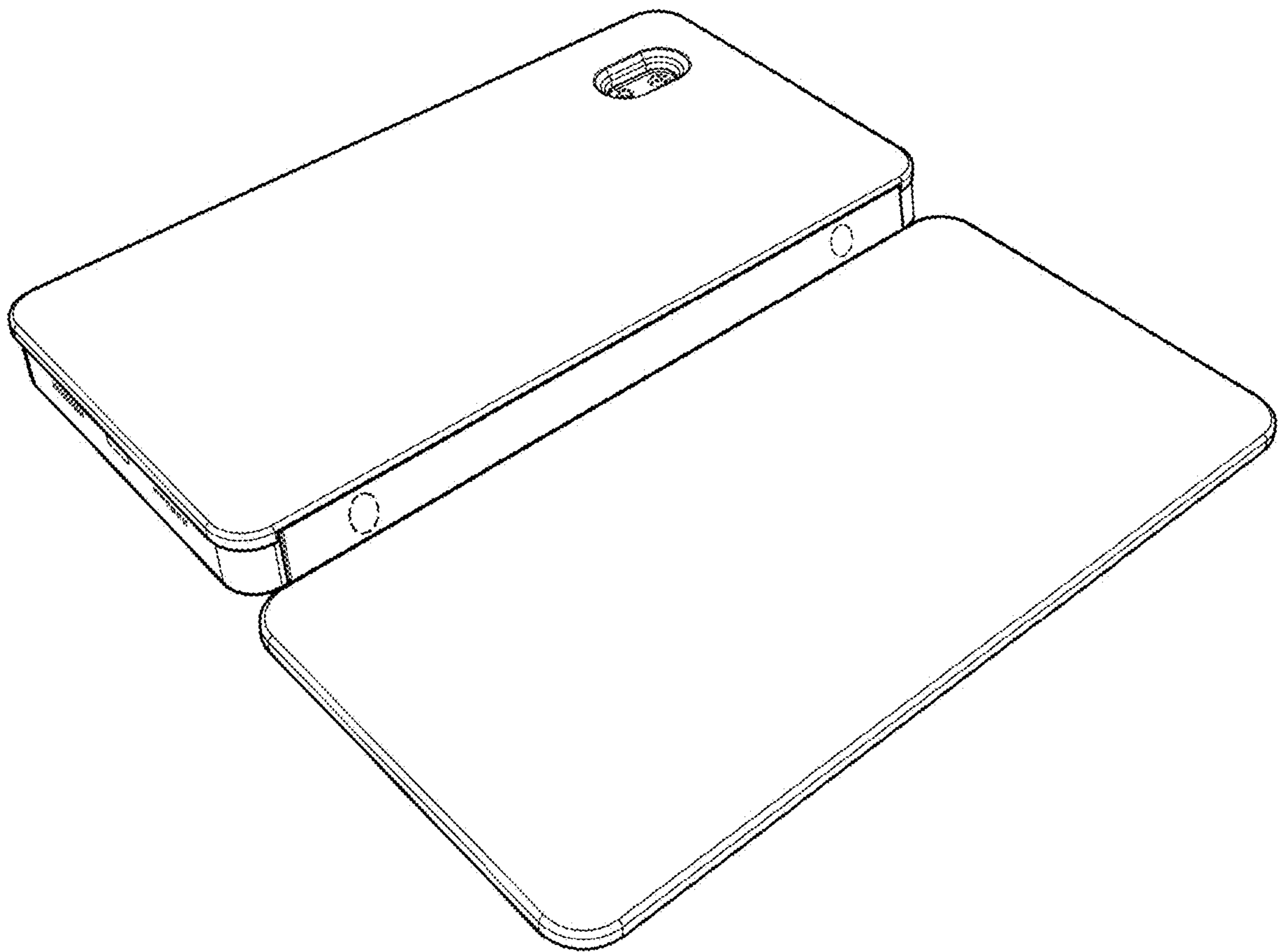


1.6

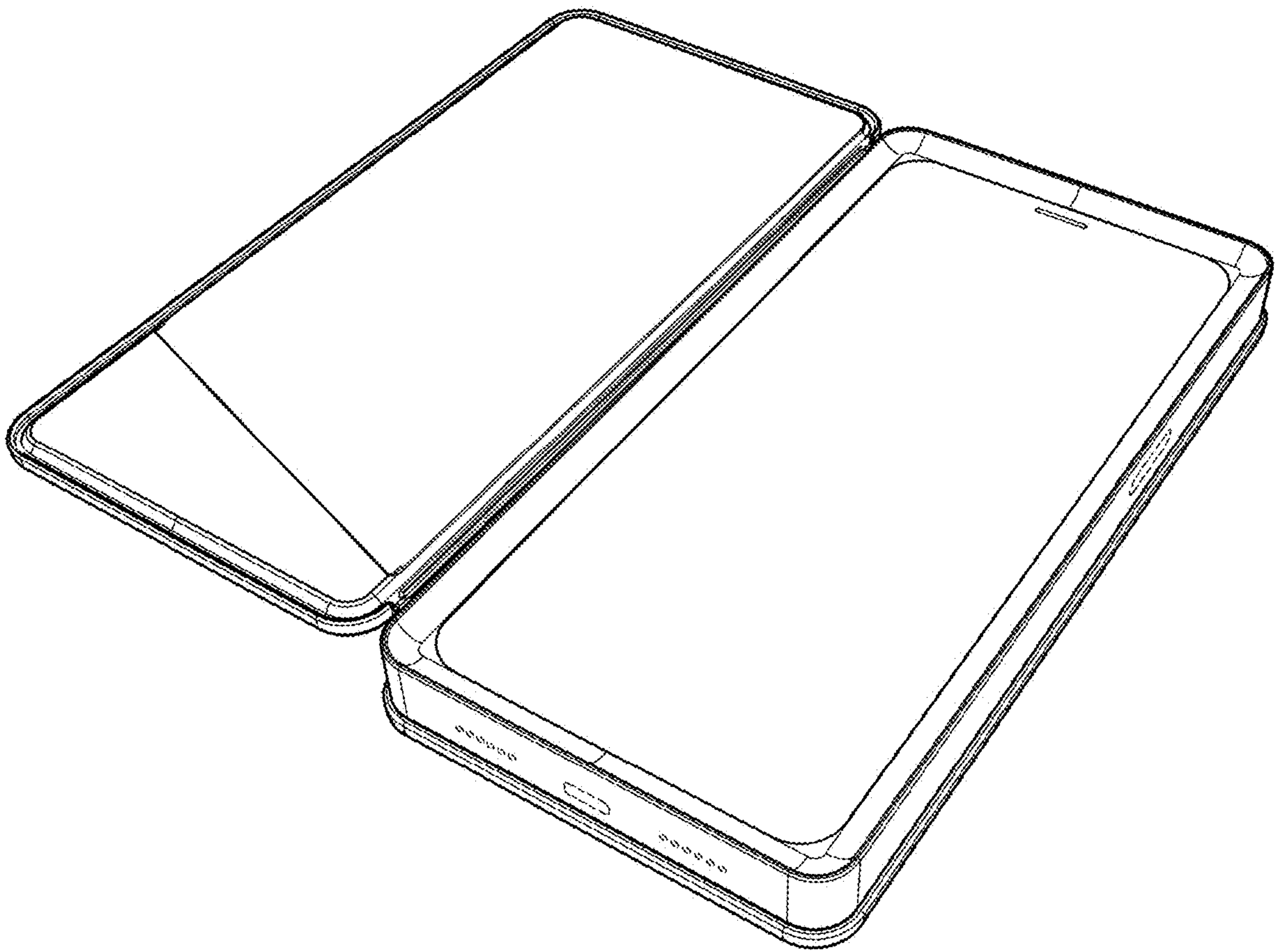




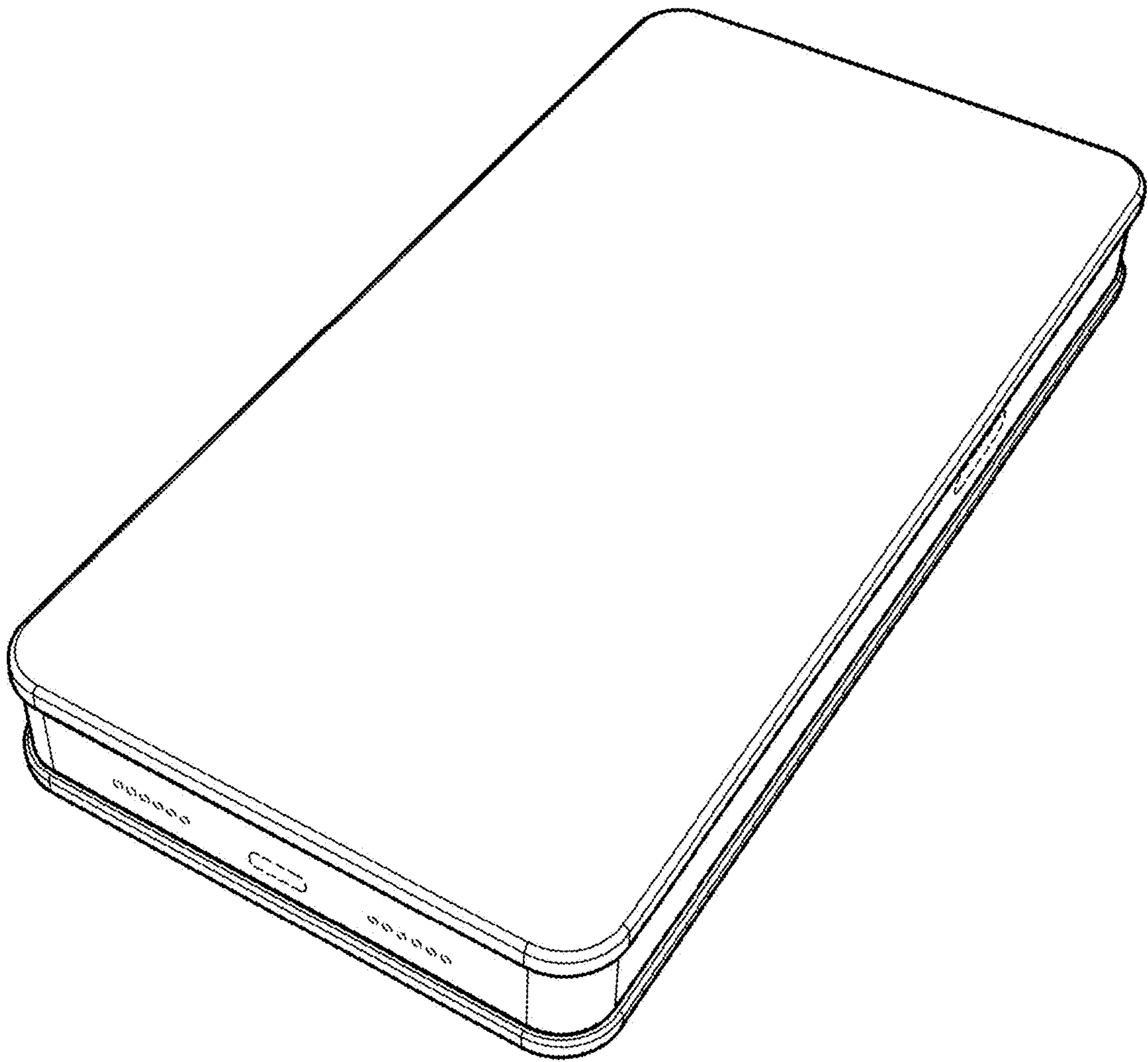
1.7



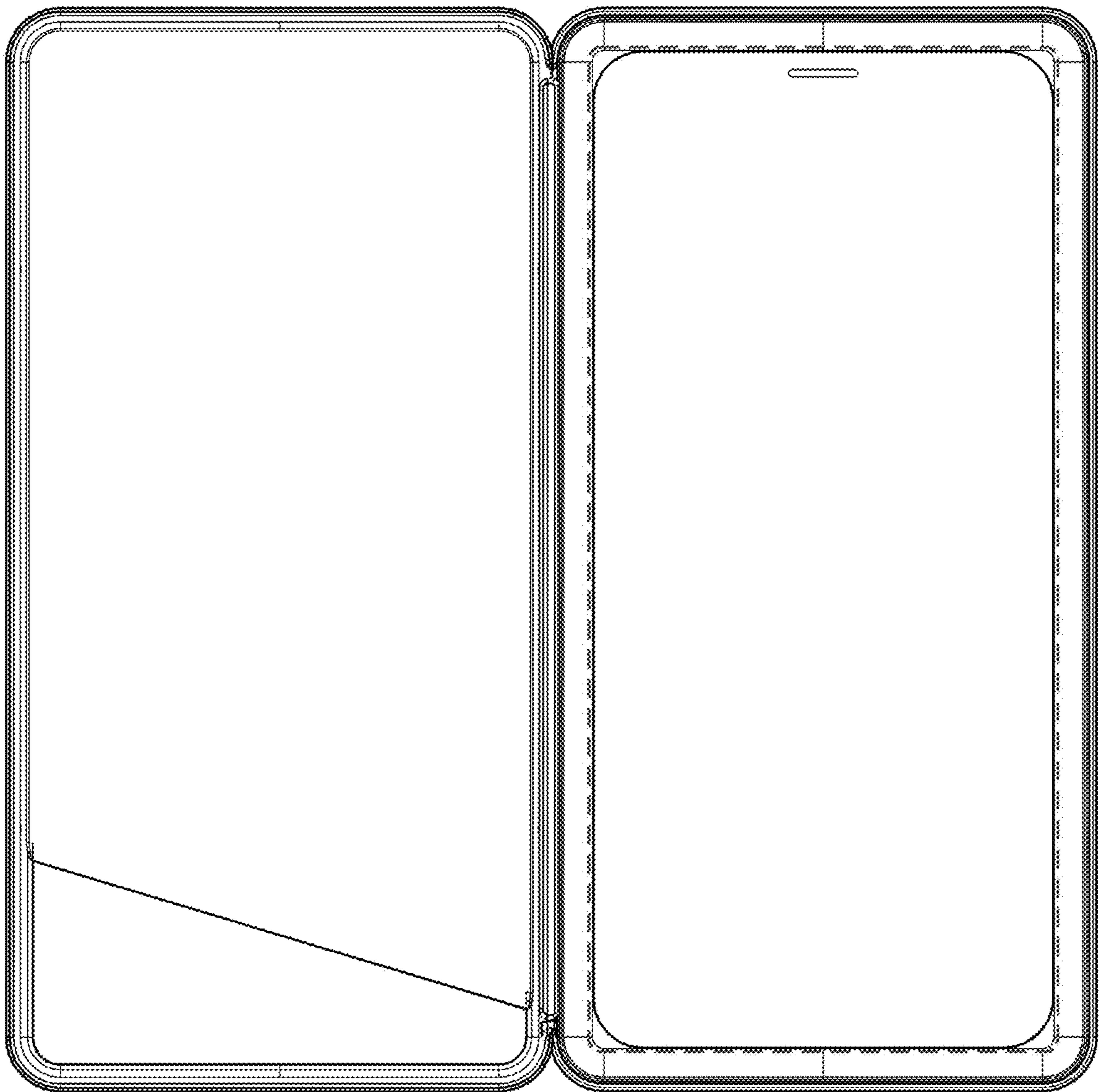
1.8



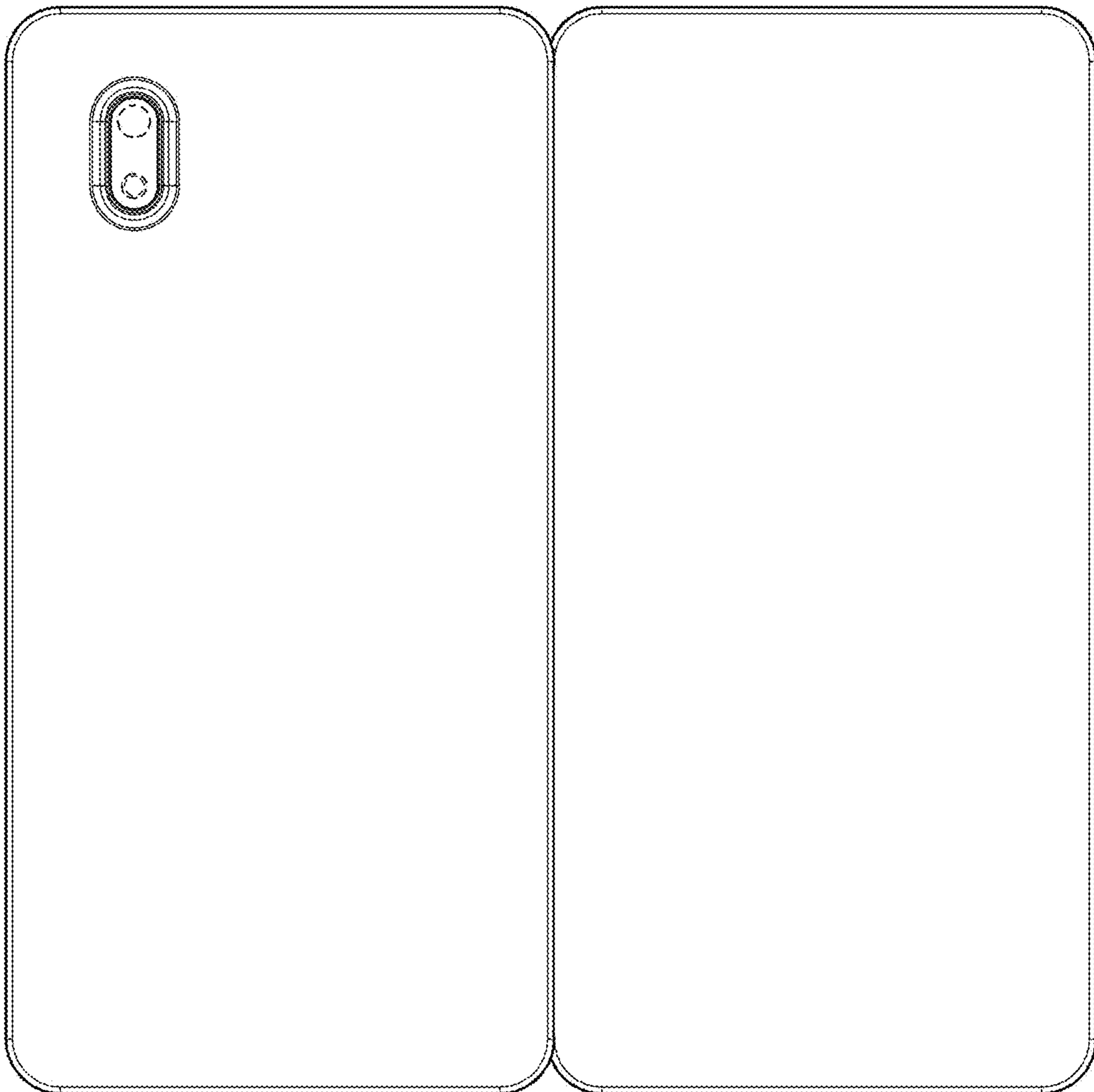
1.9



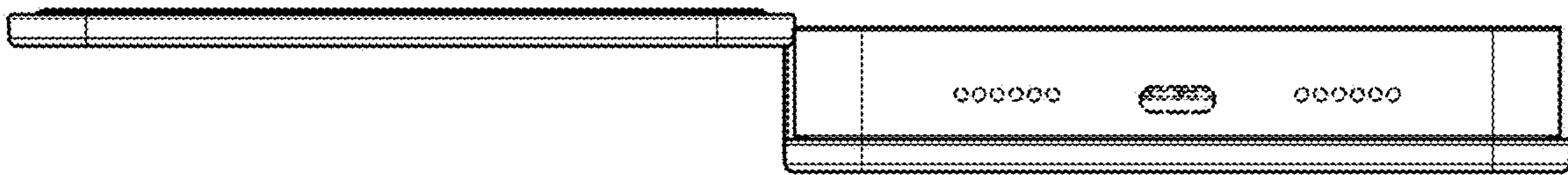
2.1



2.2

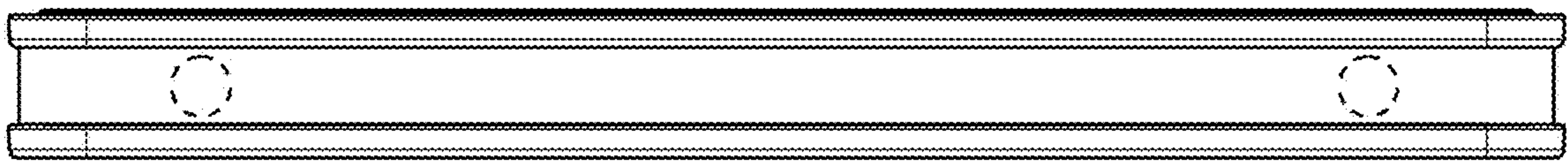


2.3

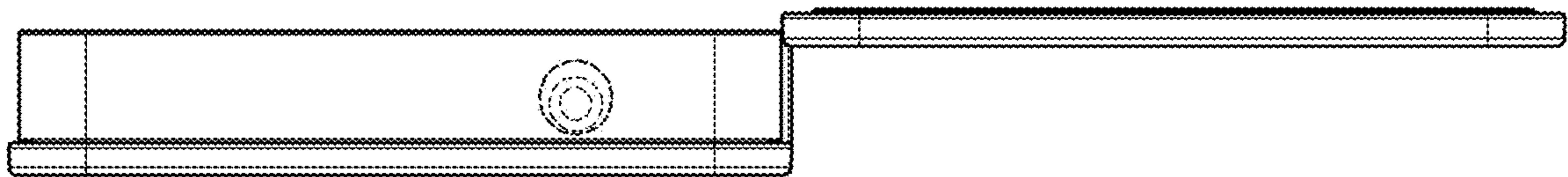




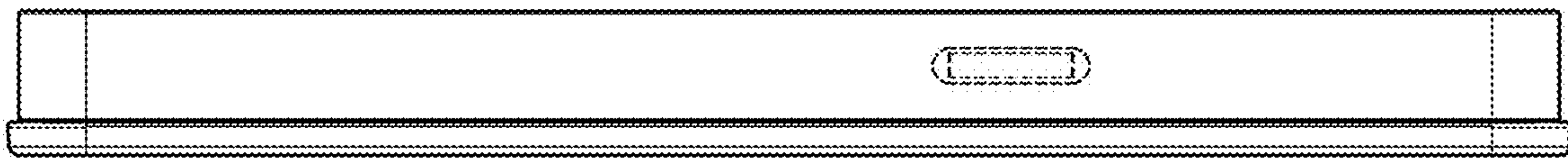
2.4



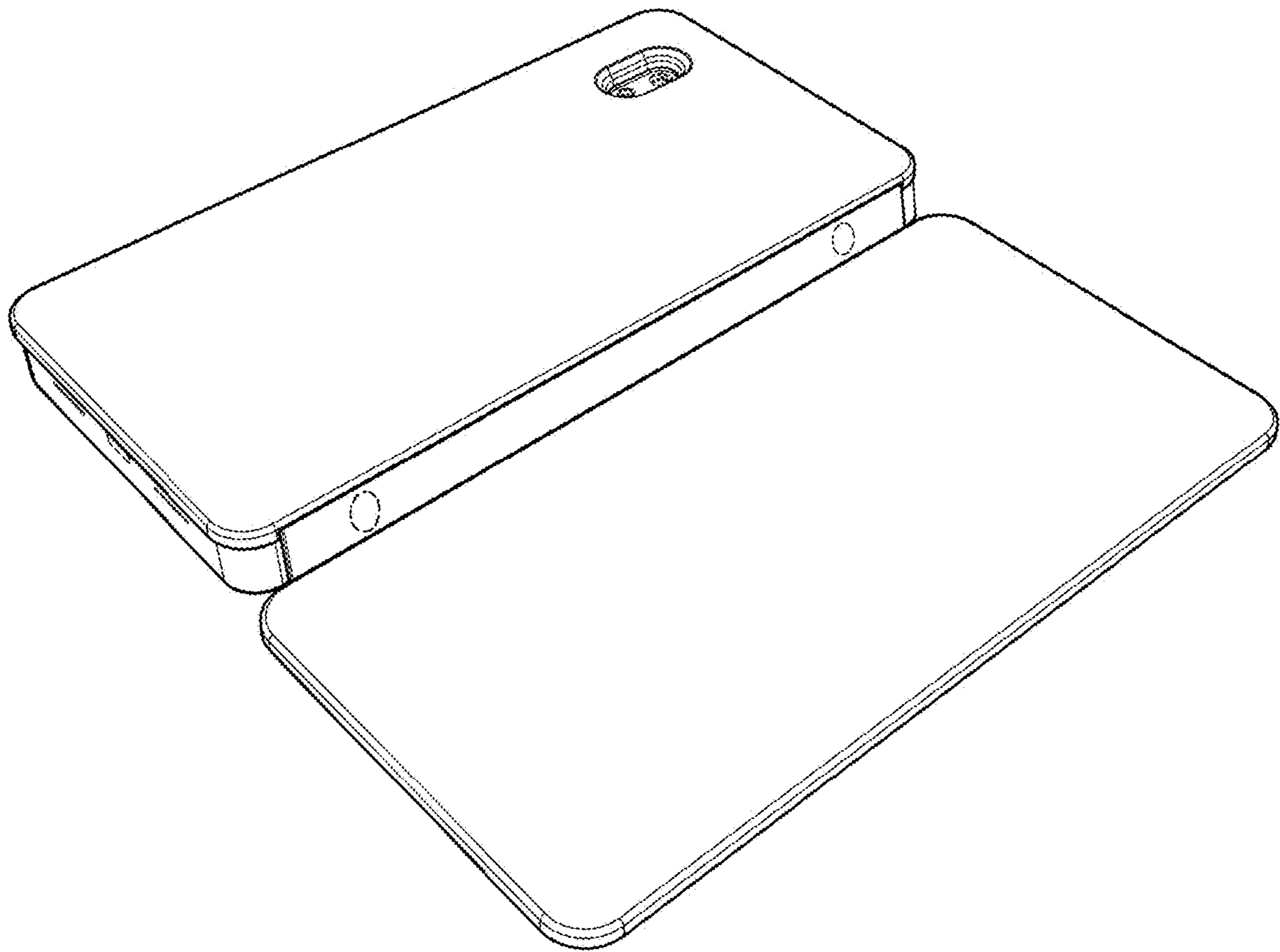
2.5



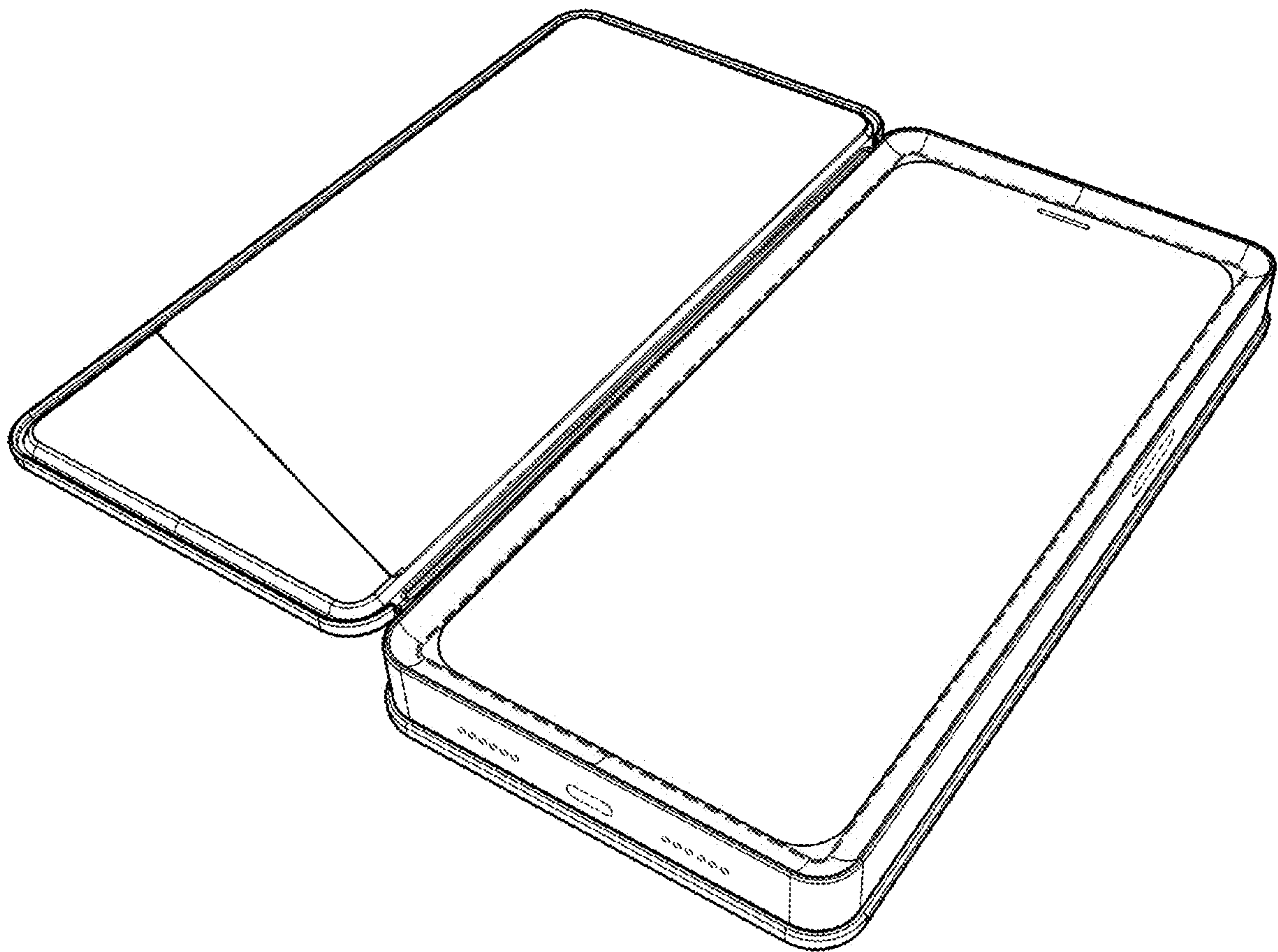
2.6



2.7



2.8



2.9

