



US00D934239S

(12) **United States Design Patent** (10) **Patent No.:** **US D934,239 S**
Yamazaki et al. (45) **Date of Patent:** **** Oct. 26, 2021**

(54) **PORTABLE INFORMATION TERMINAL**

(56) **References Cited**

(71) Applicant: **SEMICONDUCTOR ENERGY LABORATORY Co., Ltd.**, Kanagawa (JP)

U.S. PATENT DOCUMENTS

D760,219 S * 6/2016 Yamazaki D14/341
D761,254 S * 7/2016 Yamazaki D14/345

(72) Inventors: **Shunpei Yamazaki**, Atsugi (JP);
Kensuke Yoshizumi, Atsugi (JP);
Shingo Eguchi, Atsugi (JP)

(Continued)

(73) Assignee: **Semiconductor Energy Laboratory Co., Ltd.**, Kanagawa-ken (JP)

JP Des.1572761 3/2017
JP Des.1572767 3/2017

FOREIGN PATENT DOCUMENTS

(Continued)

(**) Term: **15 Years**

Primary Examiner — Keli L Hill

(21) Appl. No.: **35/508,374**

(74) *Attorney, Agent, or Firm* — Nixon Peabody LLP;
Jeffrey L. Costellia

(22) Filed: **Jul. 23, 2019**

(80) **Hague Agreement Data**

(57) **CLAIM**

Int. Filing Date: **Jul. 23, 2019**

Int. Reg. No.: **DM/204103**

Int. Reg. Date: **Jul. 23, 2019**

Int. Reg. Pub. Date: **Jan. 24, 2020**

The ornamental design for portable information terminal, as shown and described.

(30) **Foreign Application Priority Data**

DESCRIPTION

Jan. 25, 2019 (JP) 2019-001378
Jan. 25, 2019 (JP) 2019-001379
Jan. 25, 2019 (JP) 2019-001380
Jan. 31, 2019 (JP) 2019-001906
Jan. 31, 2019 (JP) 2019-001908

1.-5. Portable information terminal
2.1 : Perspective
2.2 : Perspective
2.3 : Perspective view showing changed state
2.4 : Perspective view showing changed state
2.5 : Front
2.6 : Back
2.7 : Right
2.8 : Left
2.9 : Top
2.10 : Bottom

(51) **LOC (13) Cl.** **14-02**

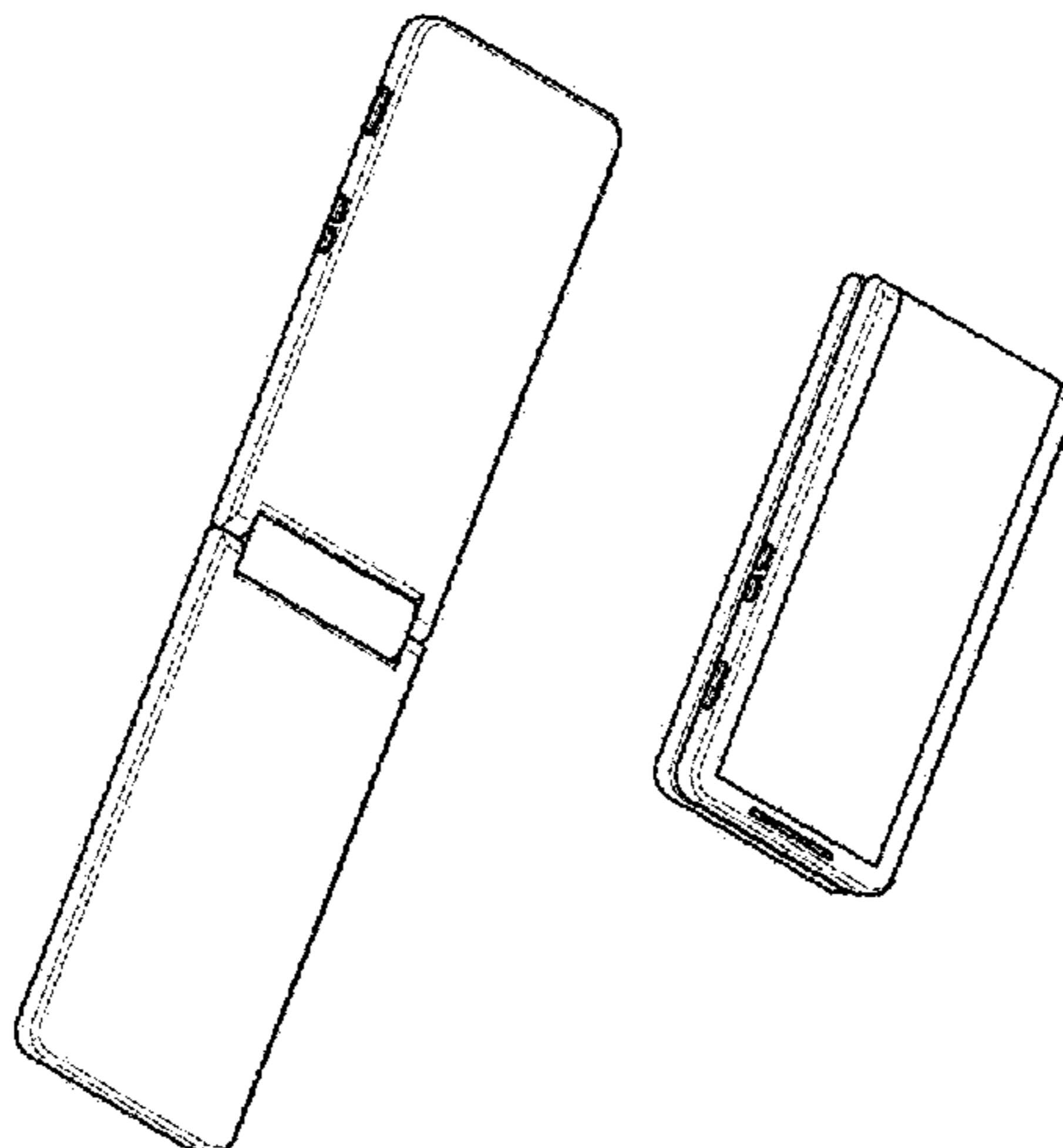
(52) **U.S. Cl.**
USPC **D14/345**

(58) **Field of Classification Search**
USPC D14/125-129, 137, 138 AA, 138 AB,
D14/138 G, 138 C, 138 R, 154, 159-165,
D14/167, 168, 170-172, 188, 192, 194,
D14/203.1, 0.3, 0.4, 0.7, 204, 205, 207,
D14/214-216, 223, 224, 238.1, 239, 248,
D14/250, 251, 253, 308, 317, 331, 336,
D14/337, 341-347, 371-377, 388, 389,

Design 2 is a portable information terminal including: two housings; a flexible display portion which can be folded outward on front surfaces of the two housings; and a camera on a side surface of one of the two housings, as seen in reproduction 2.1 to 2.10.

(Continued)

1 Claim, 10 Drawing Sheets



(58) **Field of Classification Search**

USPC D14/420, 432, 439, 440, 447, 448, 451,
 D14/452, 457, 496; D6/308, 310,
 D6/406.1-406.6, 601; D10/104.1, 50, 65;
 D21/329-332; D13/108
 CPC G06F 1/1601; G06F 1/1605; G06F 1/162;
 G06F 1/1613; G06F 1/1647; G06F
 1/1641; G06F 1/1616; G06F 1/1652;
 G06F 3/04883; G06F 3/0486; G06F
 3/0487; G06F 3/0484; H04M 1/0214;
 H04R 1/02; H04R 5/00; H04R 9/06;
 G08B 21/0288; G08B 21/02; F16M 11/00
 See application file for complete search history.

| | | | |
|-------------------|---------|-----------------|-------------|
| D844,601 S | 4/2019 | Yamazaki et al. | |
| D847,134 S | 4/2019 | Yamazaki et al. | |
| D848,416 S | 5/2019 | Yamazaki et al. | |
| D872,077 S * | 1/2020 | Raken | D14/341 |
| D897,302 S * | 9/2020 | Lee | D14/138 AB |
| D901,495 S * | 11/2020 | Lee | D14/345 |
| D908,654 S * | 1/2021 | Liu | D14/138 G |
| D910,009 S * | 2/2021 | Wu | H05K 5/0226 |
| | | | D14/341 |
| 2016/0147263 A1 * | 5/2016 | Choi | G06F 1/1626 |
| | | | 361/679.3 |
| 2016/0381014 A1 * | 12/2016 | Kim | H04W 12/06 |
| | | | 726/7 |
| 2019/0004764 A1 * | 1/2019 | Son | G06F 1/1616 |
| 2020/0371564 A1 * | 11/2020 | Kim | H05K 5/0226 |

(56)

References Cited

U.S. PATENT DOCUMENTS

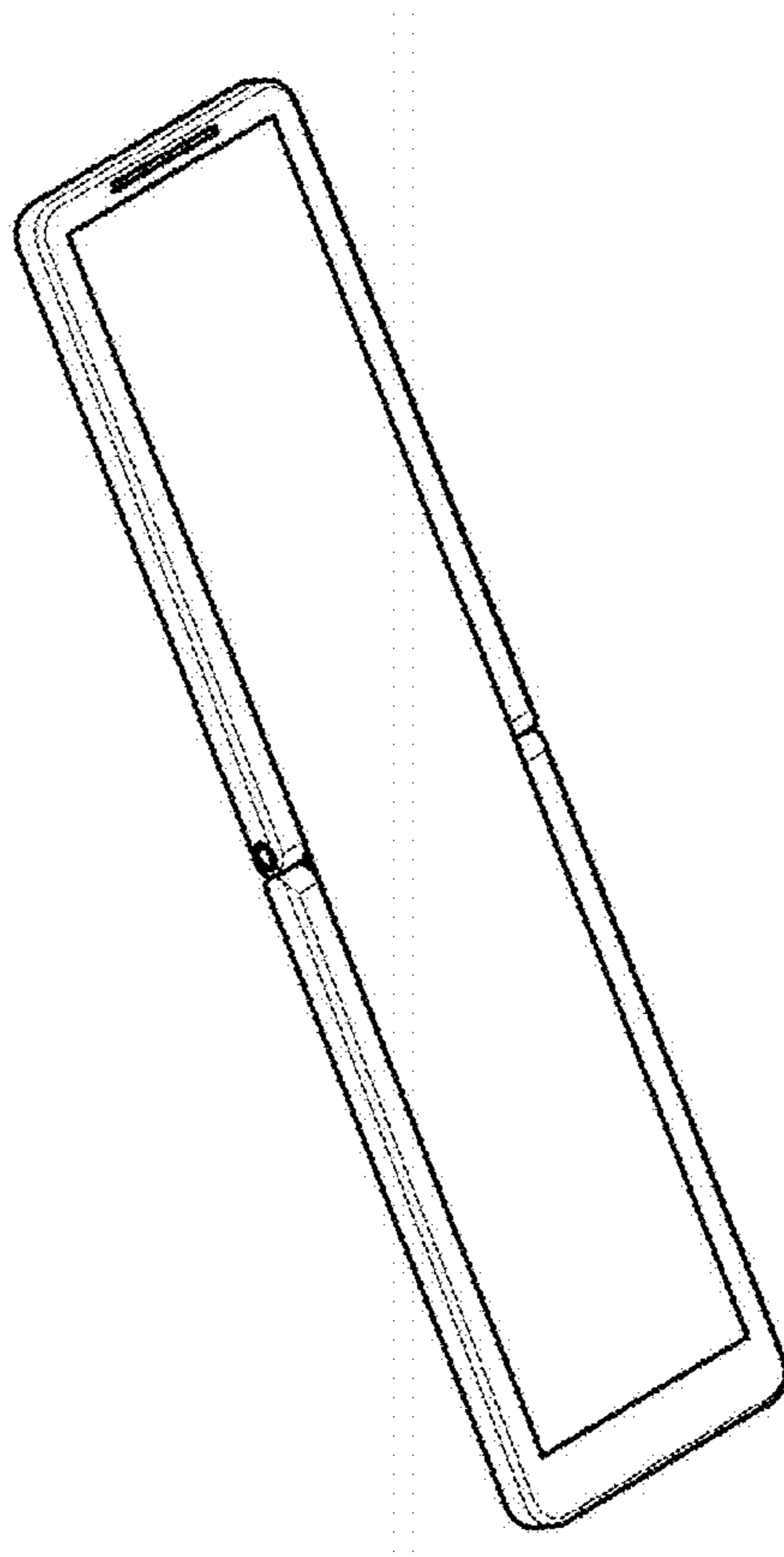
| | | | |
|--------------|---------|-----------------|---------|
| D770,447 S * | 11/2016 | Endo | D14/371 |
| D789,925 S * | 6/2017 | Browning | D14/341 |
| D816,079 S | 4/2018 | Yamazaki et al. | |

FOREIGN PATENT DOCUMENTS

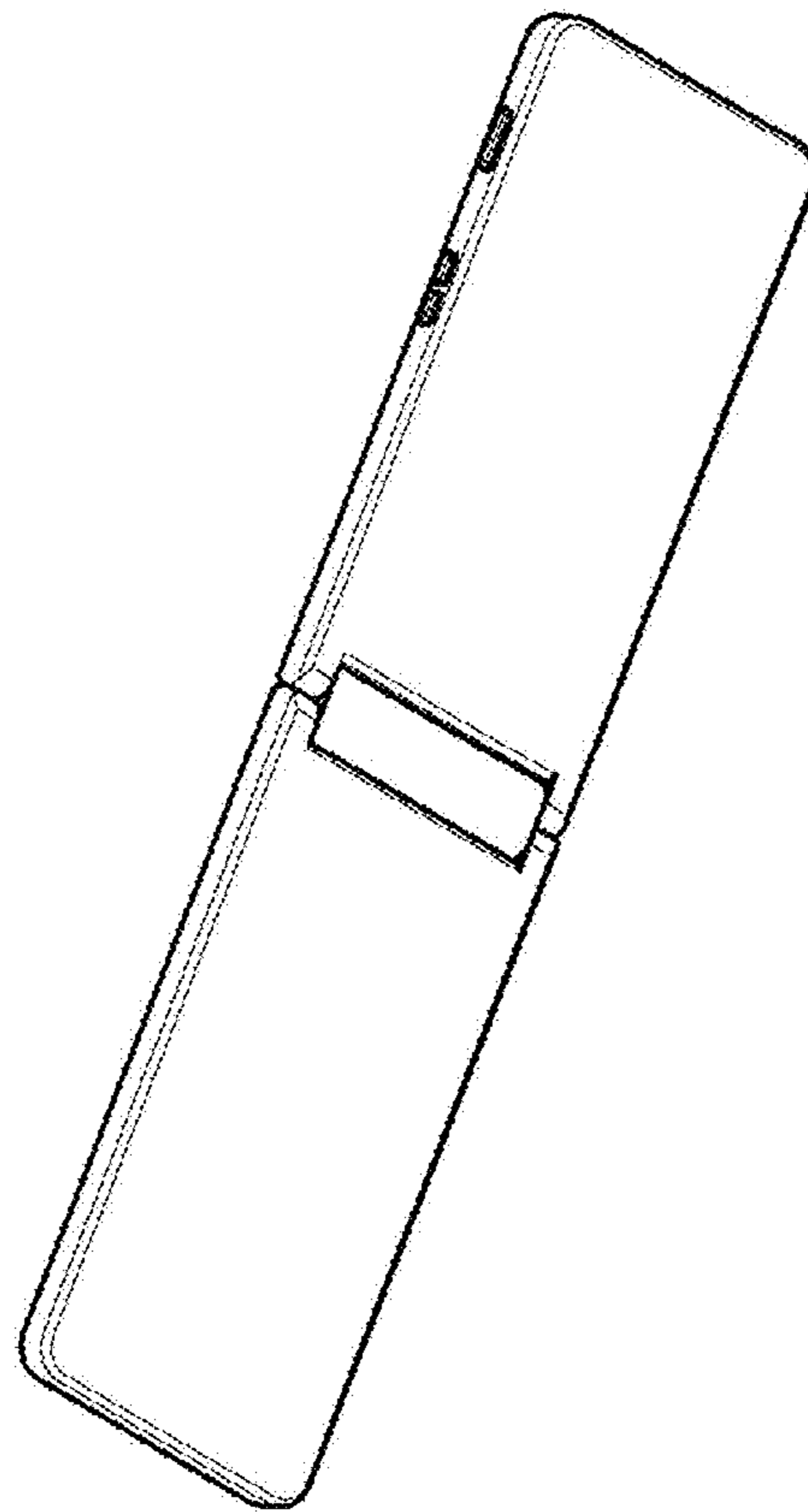
| | | |
|----|-------------|--------|
| JP | Des.1572768 | 3/2017 |
| JP | Des.1572770 | 3/2017 |
| JP | Des.1579031 | 6/2017 |

* cited by examiner

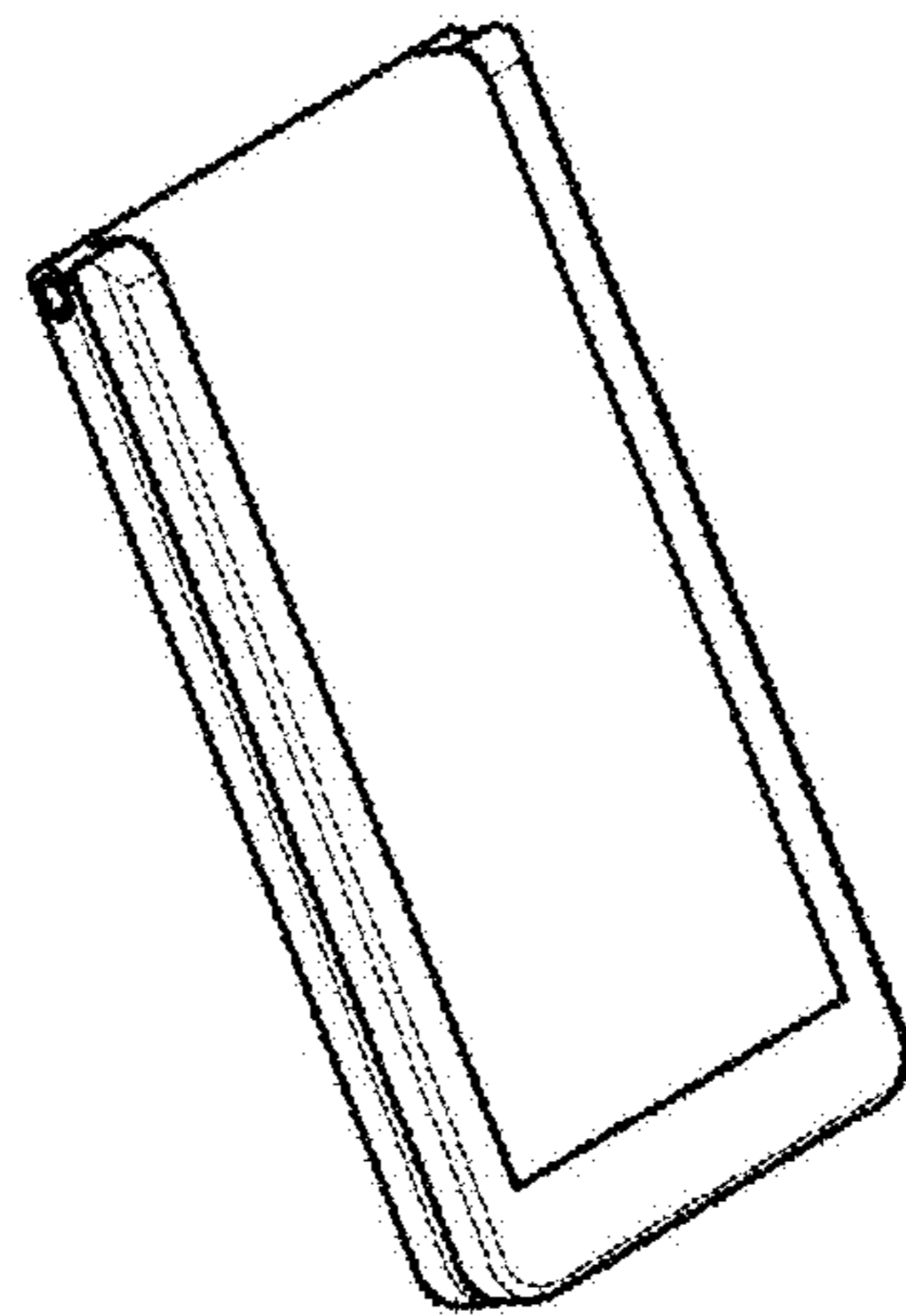
2.1



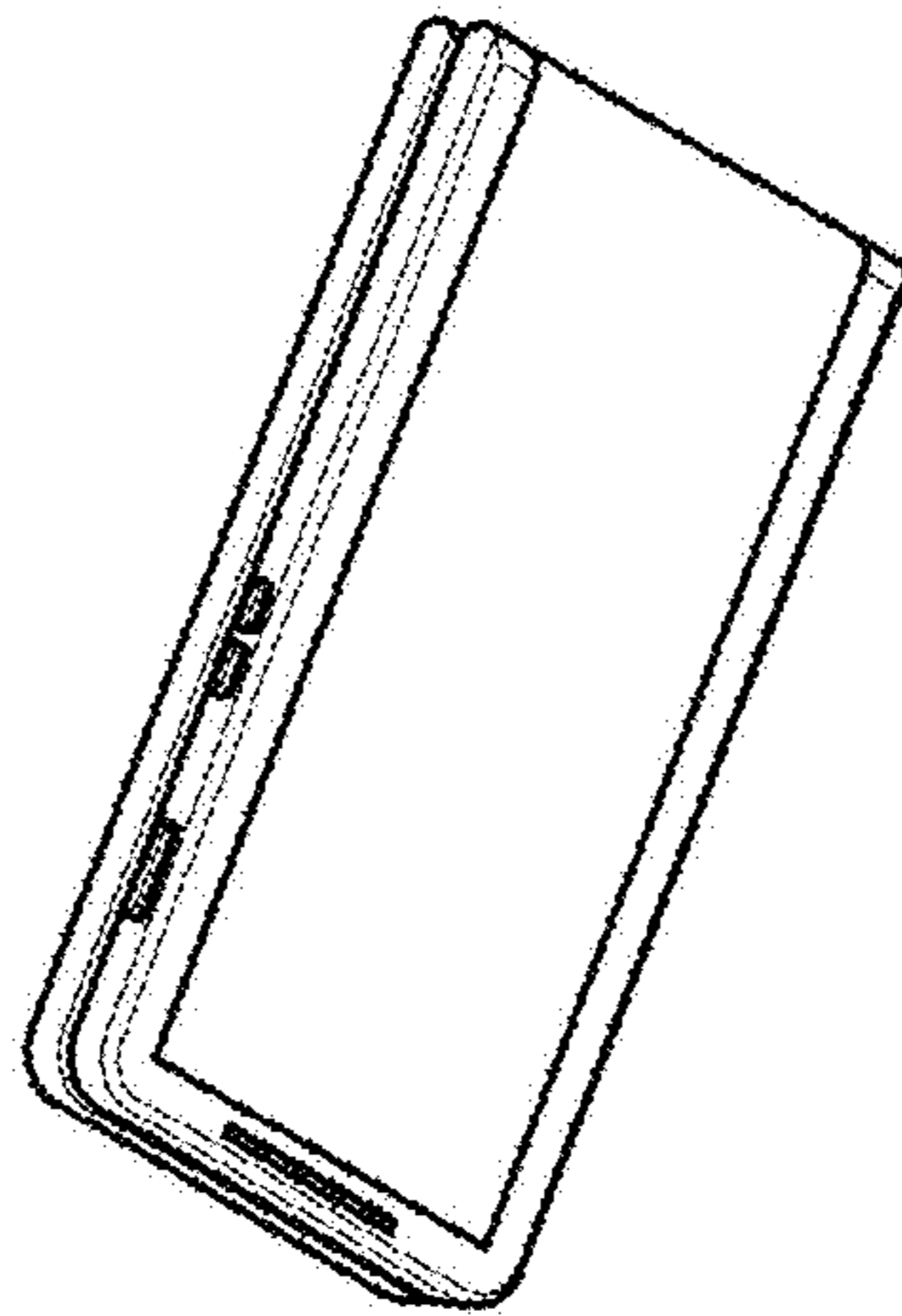
2.2



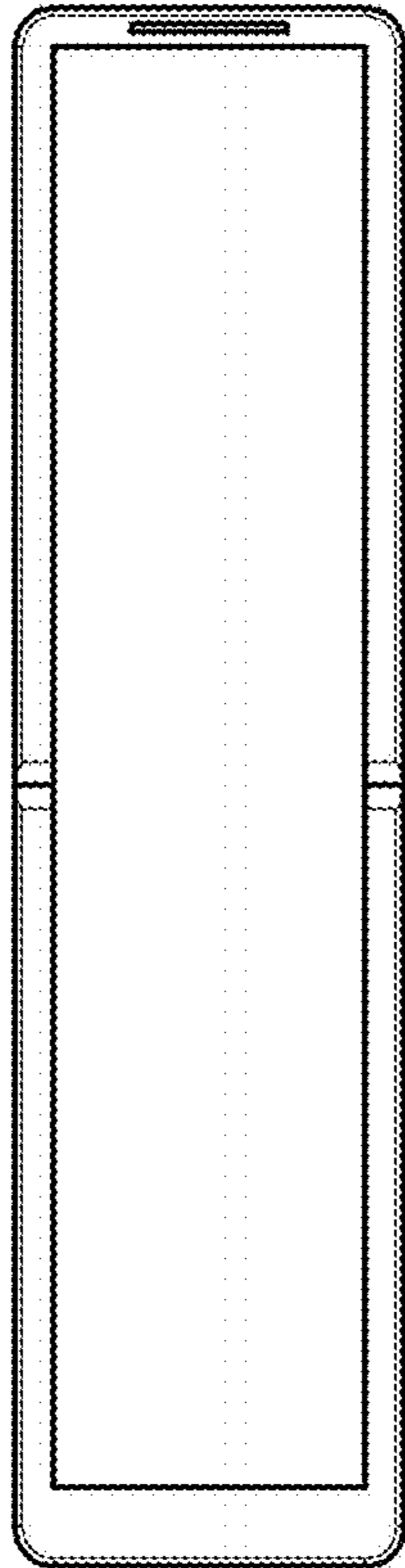
2.3



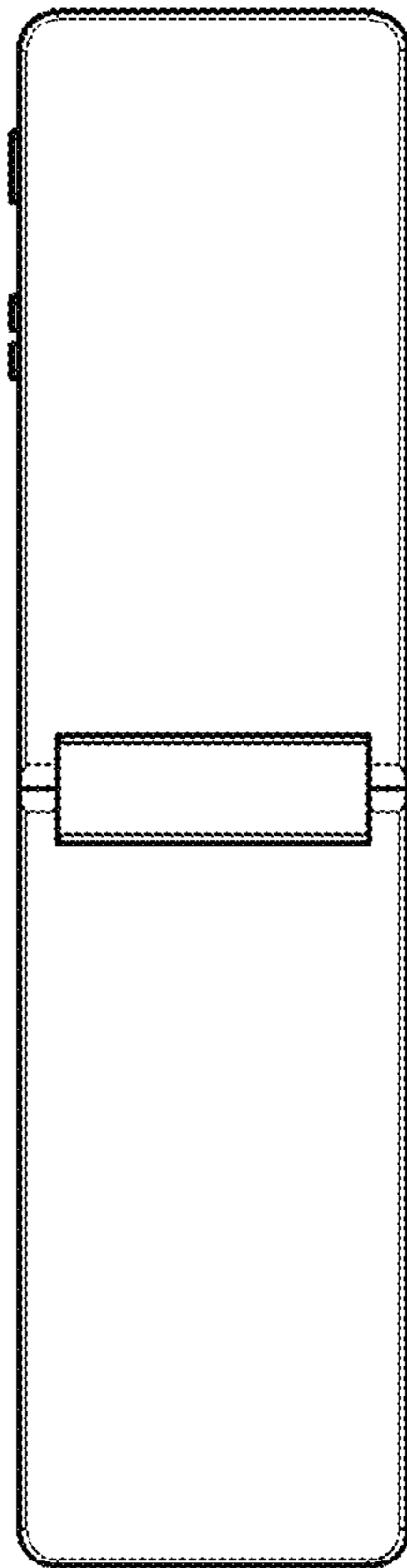
2.4



2.5



2.6



2.7



2.8



2.9



2.10

