



US00D934238S

(12) **United States Design Patent**
Louie

(10) **Patent No.:** **US D934,238 S**

(45) **Date of Patent:** **** Oct. 26, 2021**

(54) **WRIST WATCH**

(71) Applicant: **Eric Zhen Hui Louie**, Toronto (CA)

(72) Inventor: **Eric Zhen Hui Louie**, Toronto (CA)

(**) Term: **15 Years**

(21) Appl. No.: **35/509,967**

(22) Filed: **Jan. 25, 2020**

(80) **Hague Agreement Data**

Int. Filing Date: **Jan. 25, 2020**

Int. Reg. No.: **DM/206887**

Int. Reg. Date: **Jan. 25, 2020**

Int. Reg. Pub. Date: **Jul. 31, 2020**

(51) **LOC (13) Cl.** **14-02**

(52) **U.S. Cl.**
USPC **D14/344**

(58) **Field of Classification Search**
USPC **D10/32, 38, 30; D14/344**
See application file for complete search history.

(56) **References Cited**

U.S. PATENT DOCUMENTS

D610,922 S * 3/2010 Lammers-Meis D10/32
D796,356 S * 9/2017 Bayley D10/70

D801,332 S * 10/2017 Jin D14/344
D890,751 S * 7/2020 Kujala D14/344
D905,576 S * 12/2020 Lillquist D10/38
D912,540 S * 3/2021 Connor D10/38
D915,399 S * 4/2021 Chao D14/344

* cited by examiner

Primary Examiner — George D. Kirschbaum

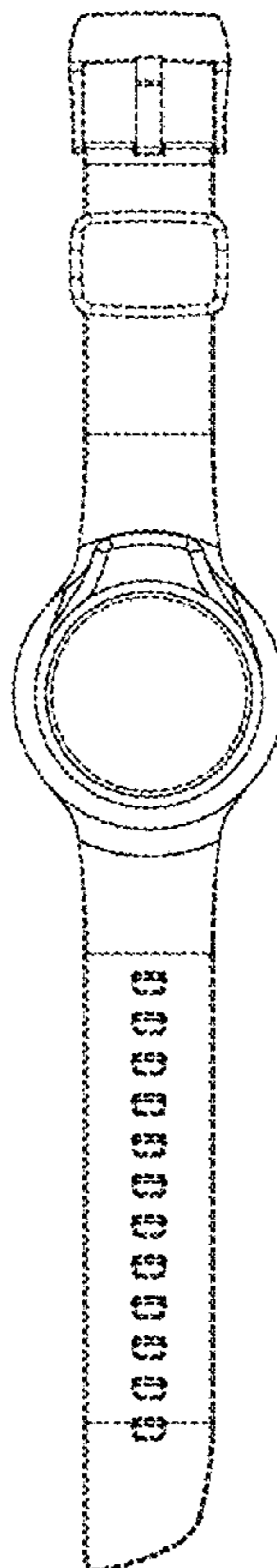
(57) **CLAIM**

The ornamental design for a wrist watch, as shown and described.

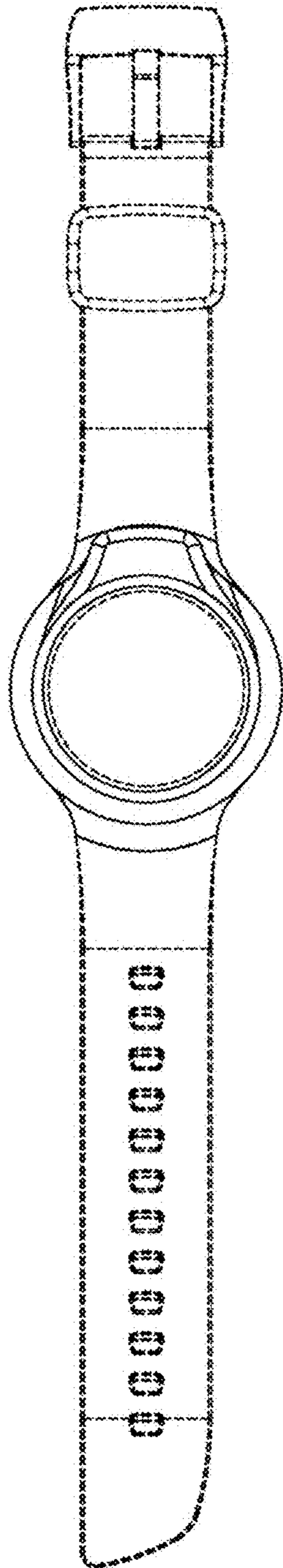
DESCRIPTION

1. Wrist watch
1.1 : Top view—bezel in center position
1.2 : Bottom view—bezel in center position
1.3 : Right view—bezel in center position
1.4 : Left view—bezel in center position
1.5 : Front view—bezel in center position
1.6 : Back view—bezel in center position
1.7 : Front perspective—bezel to right
1.8 : Front perspective—bezel in center
1.9 : Front perspective—bezel to left
1.10 : Back perspective—bezel to right
1.11 : Back perspective—bezel in center
1.12 : Back perspective—bezel to left
The broken line showing of a strap, buckly, clasp, face, and heart rate sensor is included for the purpose of illustrating portions of the “article” and forms no part of the claimed design.

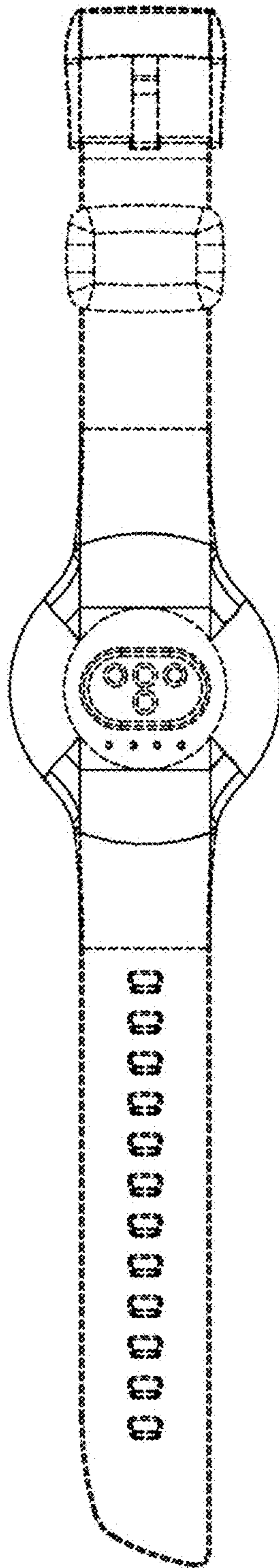
1 Claim, 12 Drawing Sheets



1.1



1.2



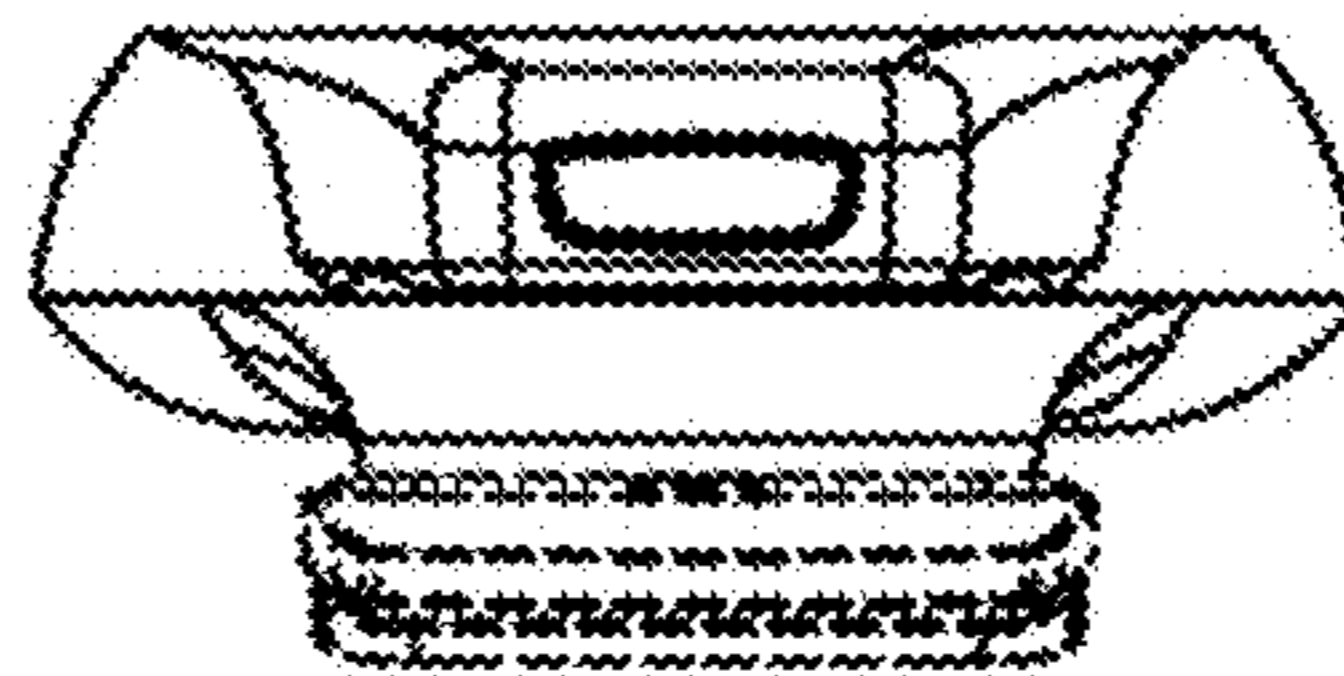
1.3



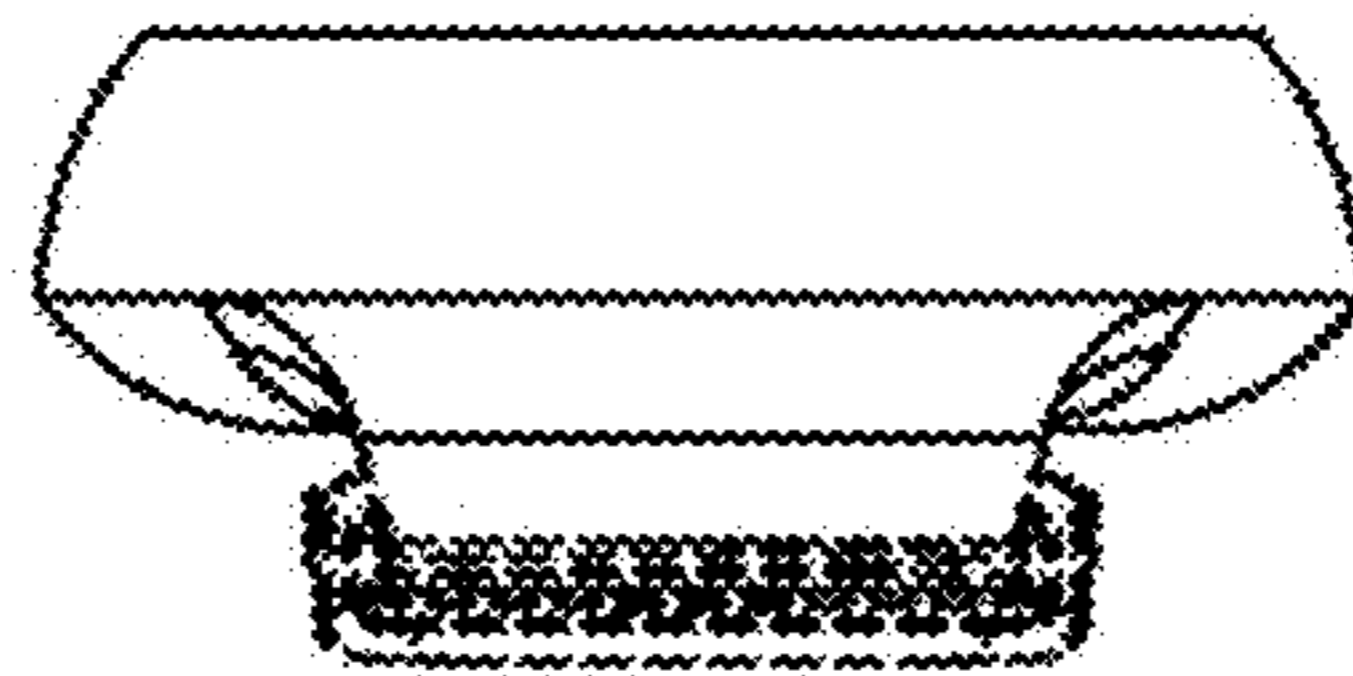
1.4



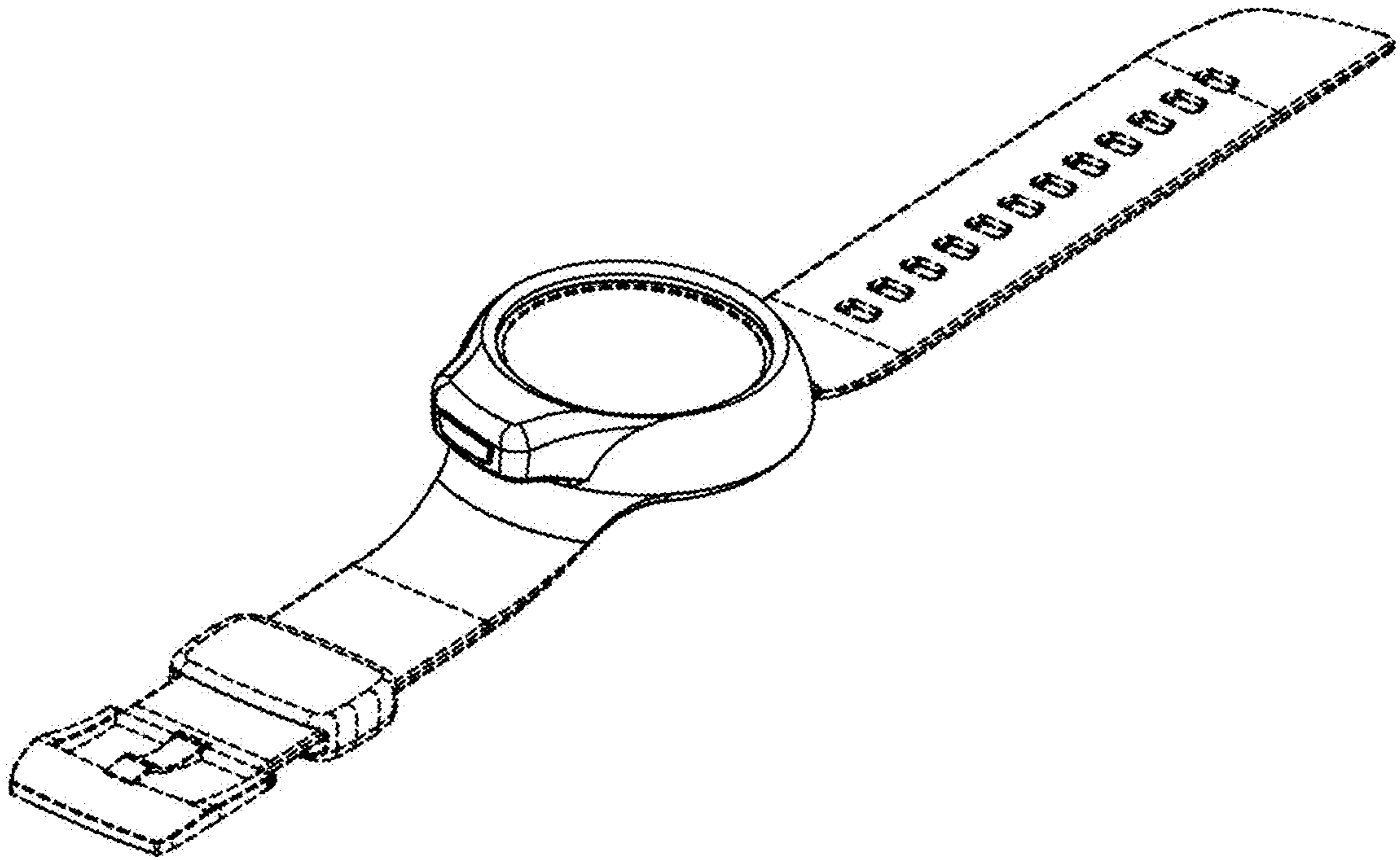
1.5



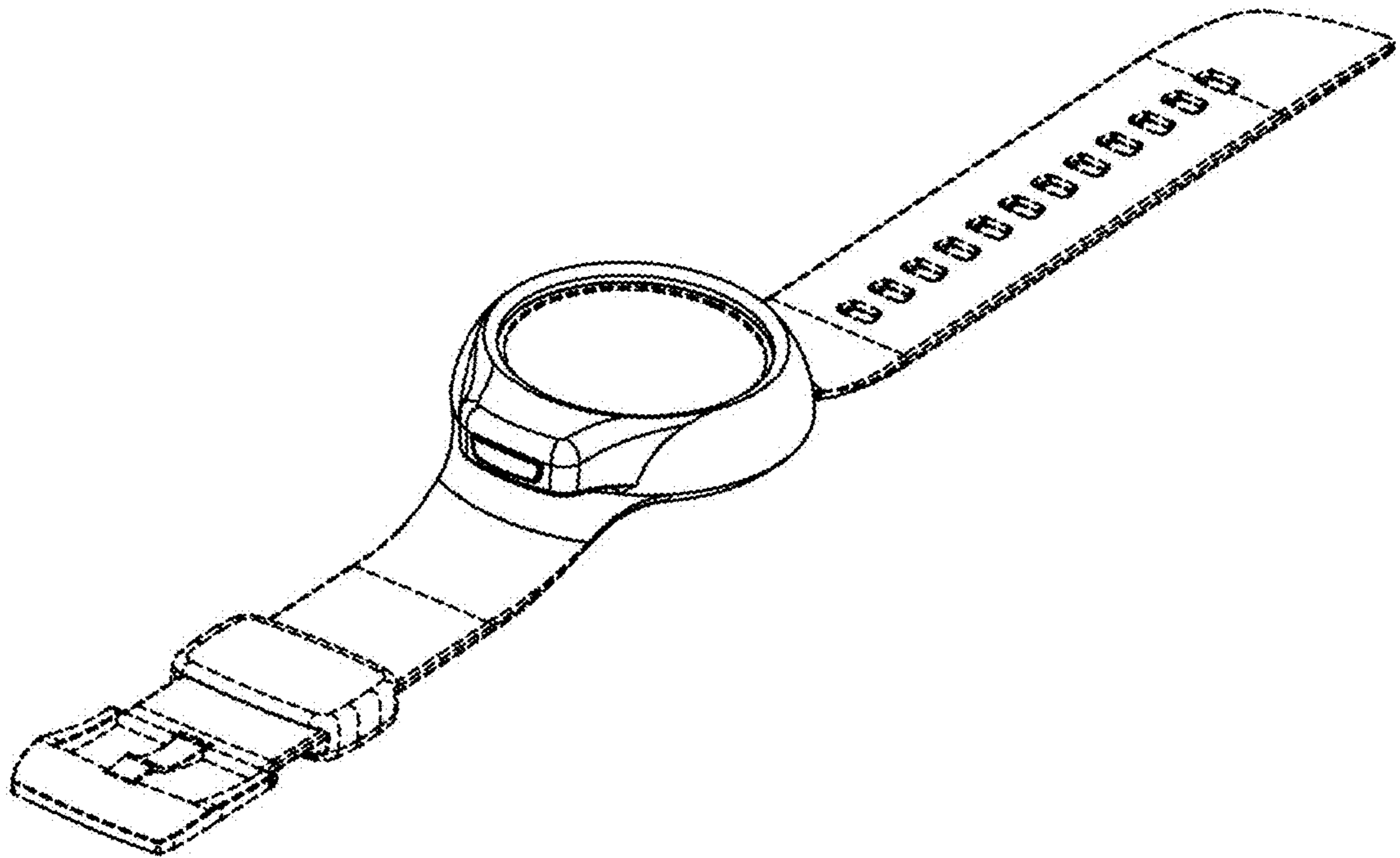
1.6



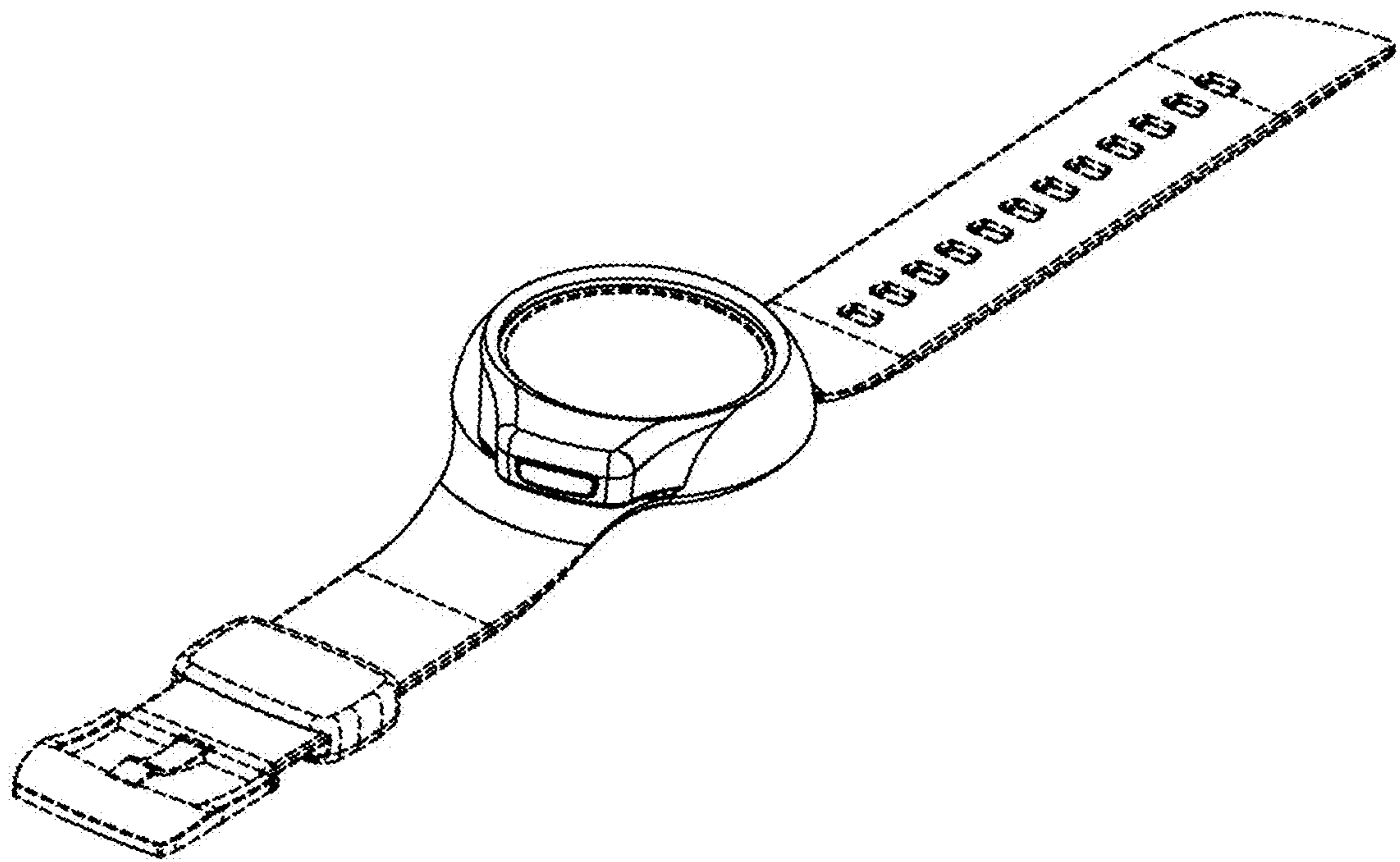
1.7



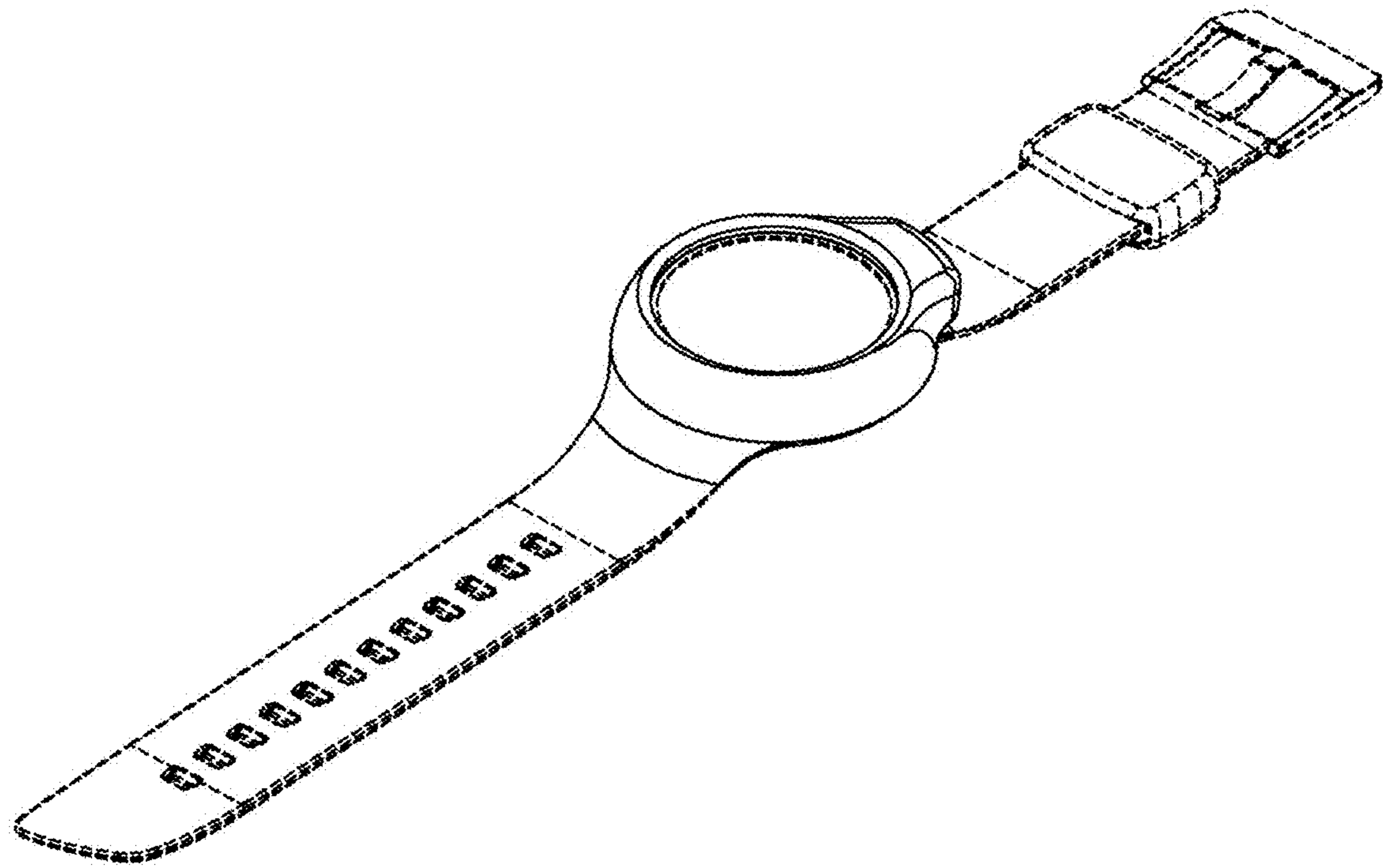
1.8



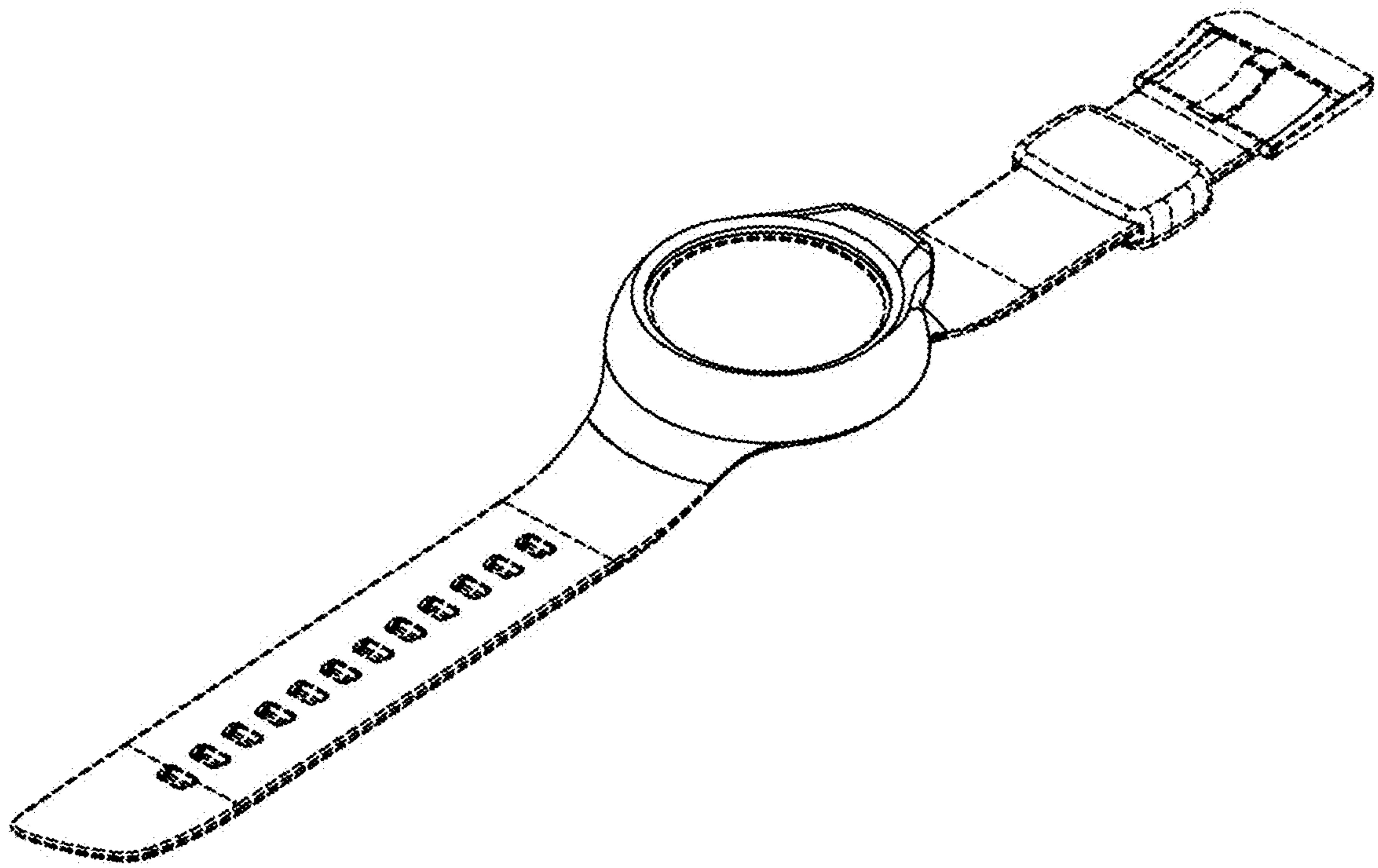
1.9



1.10



1.11



1.12

