



US00D934237S

(12) **United States Design Patent**
Yoshida et al.

(10) **Patent No.:** **US D934,237 S**

(45) **Date of Patent:** **** Oct. 26, 2021**

(54) **PORTABLE ELECTRONIC DEVICE**

(71) Applicant: **NTT DOCOMO, INC.**, Chiyoda-ku
(JP)

(72) Inventors: **Eriko Yoshida**, Chiyoda-ku (JP);
Katsuyuki Takama, Chiyoda-ku (JP);
Tetsu Miyazawa, Minato-ku (JP);
Kazushige Miyake, Kawasaki (JP)

(73) Assignee: **NTT DOCOMO, INC.**, Chiyoda-ku
(JP)

(**) Term: **15 Years**

(21) Appl. No.: **29/659,217**

(22) Filed: **Aug. 7, 2018**

(30) **Foreign Application Priority Data**

May 10, 2018 (JP) 2018-010176

(51) **LOC (13) Cl.** **14-02**

(52) **U.S. Cl.**
USPC **D14/341**

(58) **Field of Classification Search**
USPC D14/138 AA, 138 AB, 138 AC, 138 AD,
D14/138 C, 138 G, 218, 248, 315-318,
D14/341-347, 371, 374; D6/308, 310;
D10/30, 50, 65, 104.1; D18/6-7;
D19/26, 59-60; D21/324, 329-330, 332
CPC ... H04M 1/0202; H04M 1/0266; H04M 1/725
See application file for complete search history.

(56) **References Cited**

U.S. PATENT DOCUMENTS

D488,469 S * 4/2004 Batsikas D14/341
D593,132 S * 5/2009 Kim D14/496
D598,016 S * 8/2009 Han D14/341
D632,688 S * 2/2011 Seong D14/346
D637,597 S * 5/2011 Seong D14/346

D662,489 S * 6/2012 Yeo D14/203.7
D667,396 S * 9/2012 Koh D14/341
D667,825 S * 9/2012 Jung D14/341
D671,905 S * 12/2012 Mauritzson D14/138 G

(Continued)

FOREIGN PATENT DOCUMENTS

EM 005321858-0001 * 11/2018
JP D1589933 * 12/2018

(Continued)

OTHER PUBLICATIONS

This card-sized smartphone . . . , Oct. 18, 2018, [retrieved Aug. 11, 2021], Retrieved from Internet, URL: <<https://www.businessinsider.com/ntt-docomo-says-new-smartphone-is-thinnest-lightest-ever-2018-10>> (Year: 2018).*

(Continued)

Primary Examiner — Barbara Fox

Assistant Examiner — Aram Kwon

(74) *Attorney, Agent, or Firm* — Oblon, McClelland,
Maier & Neustadt, L.L.P.

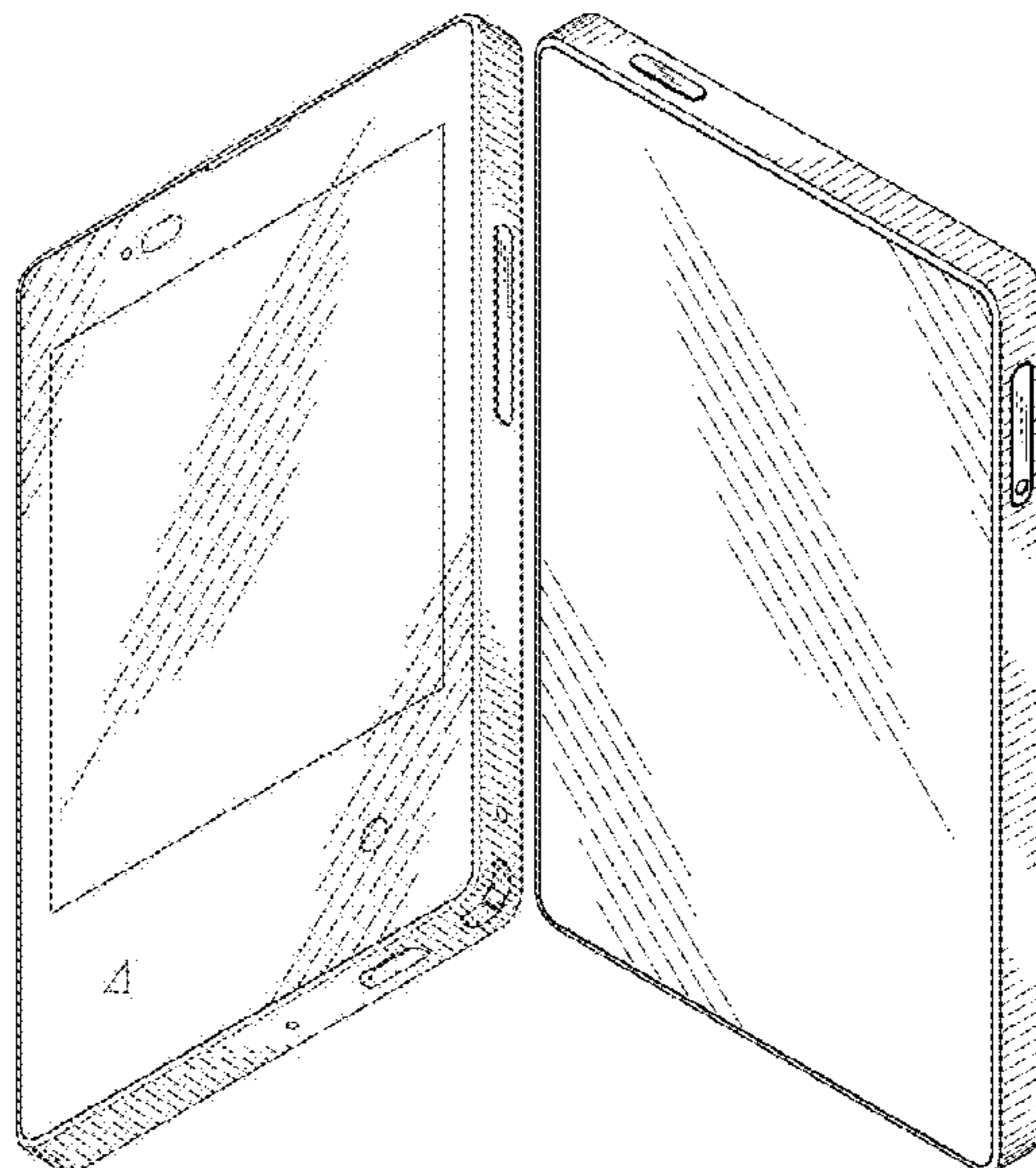
(57) **CLAIM**

The ornamental design for a portable electronic device, as shown and described.

DESCRIPTION

FIG. 1 is a front, bottom, and right side perspective view of a portable electronic device;
FIG. 2 is a rear, top, and left side perspective view thereof;
FIG. 3 is a front elevational view thereof;
FIG. 4 is a rear elevational view thereof;
FIG. 5 is a top plan view thereof;
FIG. 6 is a bottom plan view thereof;
FIG. 7 is a right side elevational view thereof; and,
FIG. 8 is a left side elevational view thereof.

1 Claim, 8 Drawing Sheets



(56)

References Cited

OTHER PUBLICATIONS

U.S. PATENT DOCUMENTS

D682,802 S * 5/2013 Zhao D14/138 G
 D682,803 S * 5/2013 Lee D14/138 G
 D689,840 S * 9/2013 Lu D14/138 G
 D732,497 S * 6/2015 Lee D14/138 G
 D750,621 S * 3/2016 Looz Canizares D14/341
 D752,005 S * 3/2016 Dhondt D14/138 G
 D755,146 S * 5/2016 Cho D14/138 G
 D755,147 S * 5/2016 Lin D14/138 G
 D822,655 S * 7/2018 Akana D14/341
 D836,591 S * 12/2018 Ci D14/138 G
 2008/0070635 A1 * 3/2008 Bang G06F 1/169
 455/566
 2008/0176604 A1 * 7/2008 Kim H04N 21/4312
 455/566
 2011/0255726 A1 * 10/2011 Yu H04R 1/02
 381/332
 2016/0233913 A1 * 8/2016 Wang H04M 1/026
 2019/0079230 A1 * 3/2019 Nguyen G02B 1/11
 2021/0167487 A1 * 6/2021 Varma H01Q 25/005

FOREIGN PATENT DOCUMENTS

JP D1572955 * 3/2019
 JP D1628209 * 4/2019
 JP D1599269 * 3/2021

NTT DoCoMo Stock . . . , Jun. 23, 2016, [retrieved Aug. 11, 2021],
 Retrieved from Internet, URL: <<https://www.barrons.com/articles/ntt-docomo-stock-can-ring-up-a-gain-of-25-1466645527>> (Year: 2016).*

NTT Docomo to release world's thinnest mobile phone . . . , Oct. 18, 2018, [retrieved Aug. 11, 2021], Retrieved from Internet, URL: <<https://english.kyodonews.net/news/2018/10/daa9c687e741-ntt-docomo-to-release-worlds-thinnest-mobile-phone-in-nov.html>> (Year: 2018).*

The new 'world's thinnest phone' slots . . . , Oct. 18, 2018, [retrieved Aug. 11, 2021], Retrieved from Internet, URL: <<https://www.theverge.com/circuitbreaker/2018/10/18/17993400/docomo-business-card-phone-kyocera-ky-011-japan>> (Year: 2018).*

This Credit Card-Sized Phone . . . , 2018, [retrieved Aug. 11, 2021], Retrieved from Internet, URL: <<https://www.highsnobiety.com/p/kyocera-ky-011-cell-phone/>> (Year: 2018).*

* cited by examiner

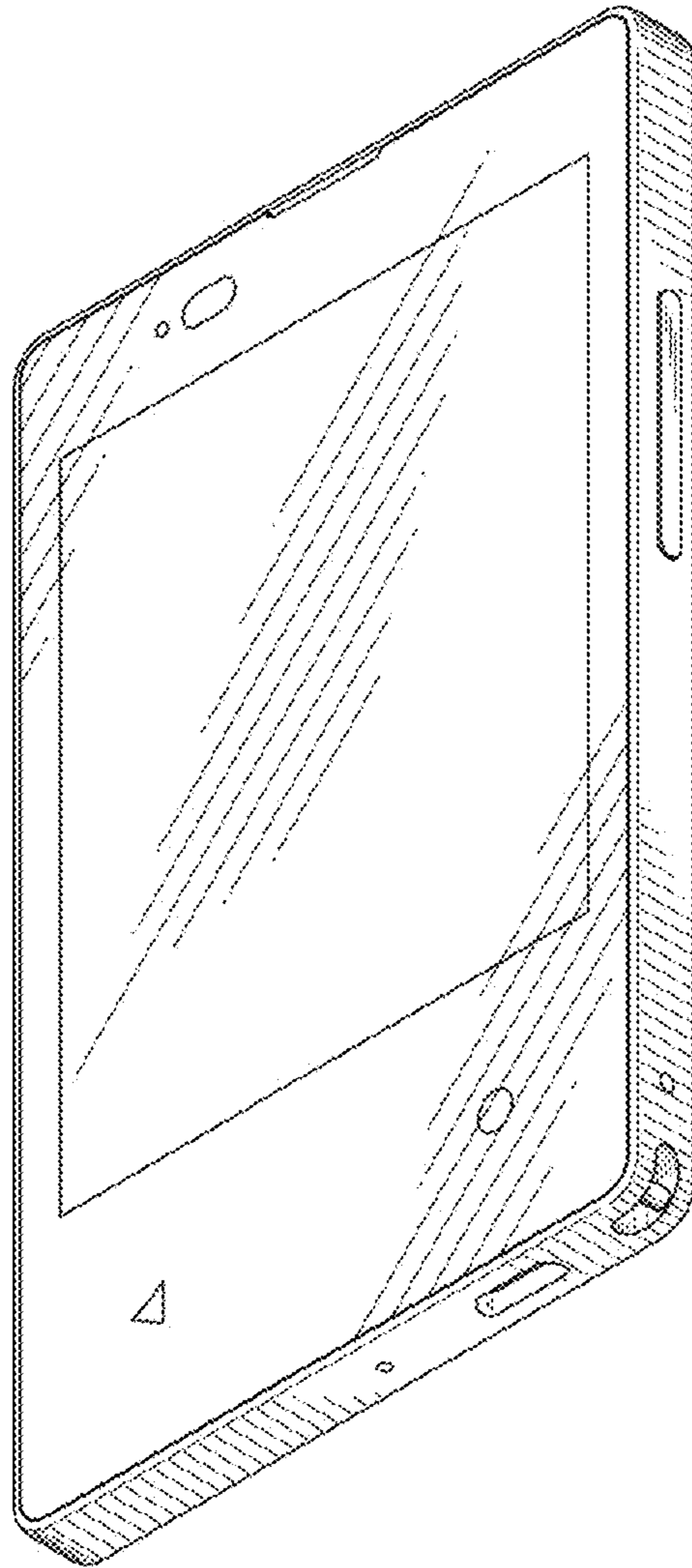


FIG.1

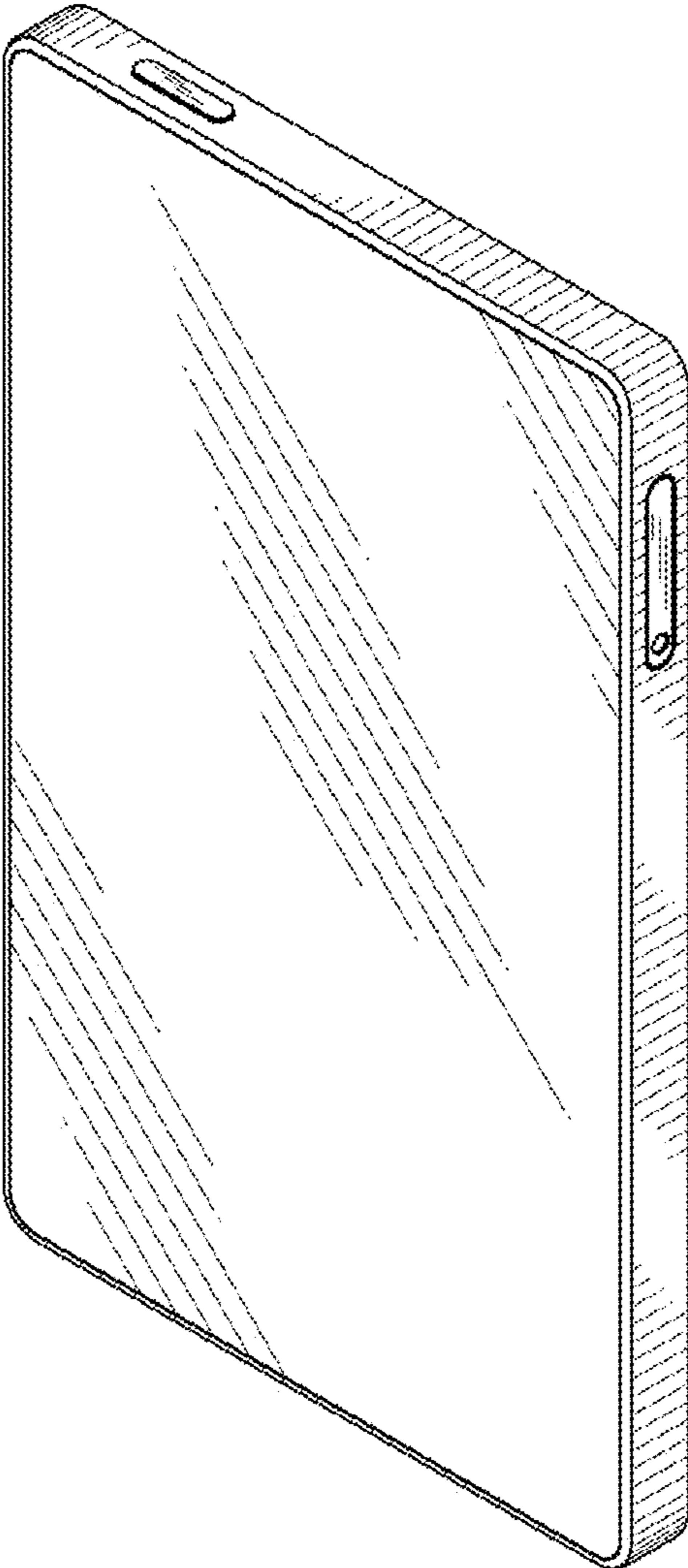


FIG.2

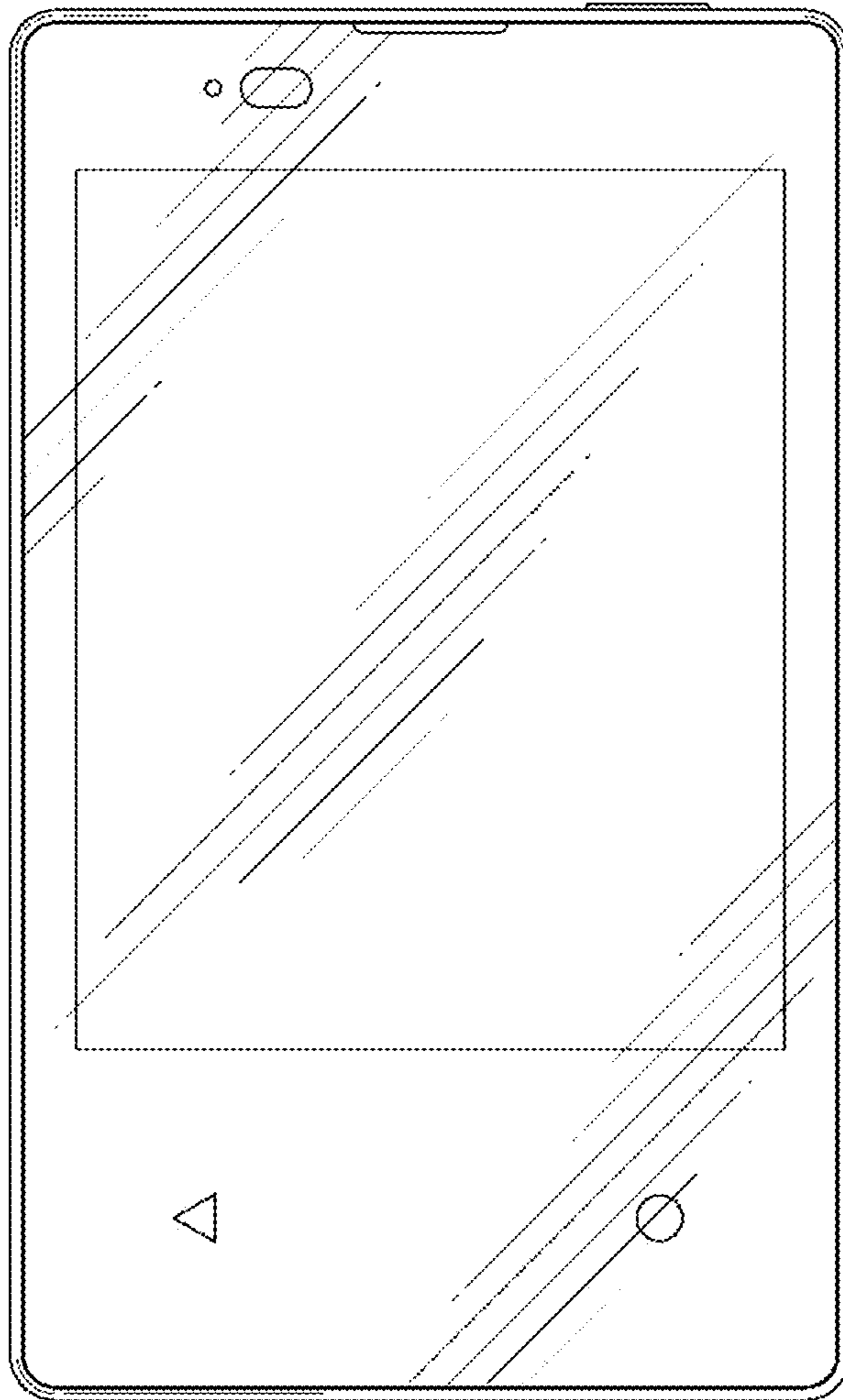


FIG.3

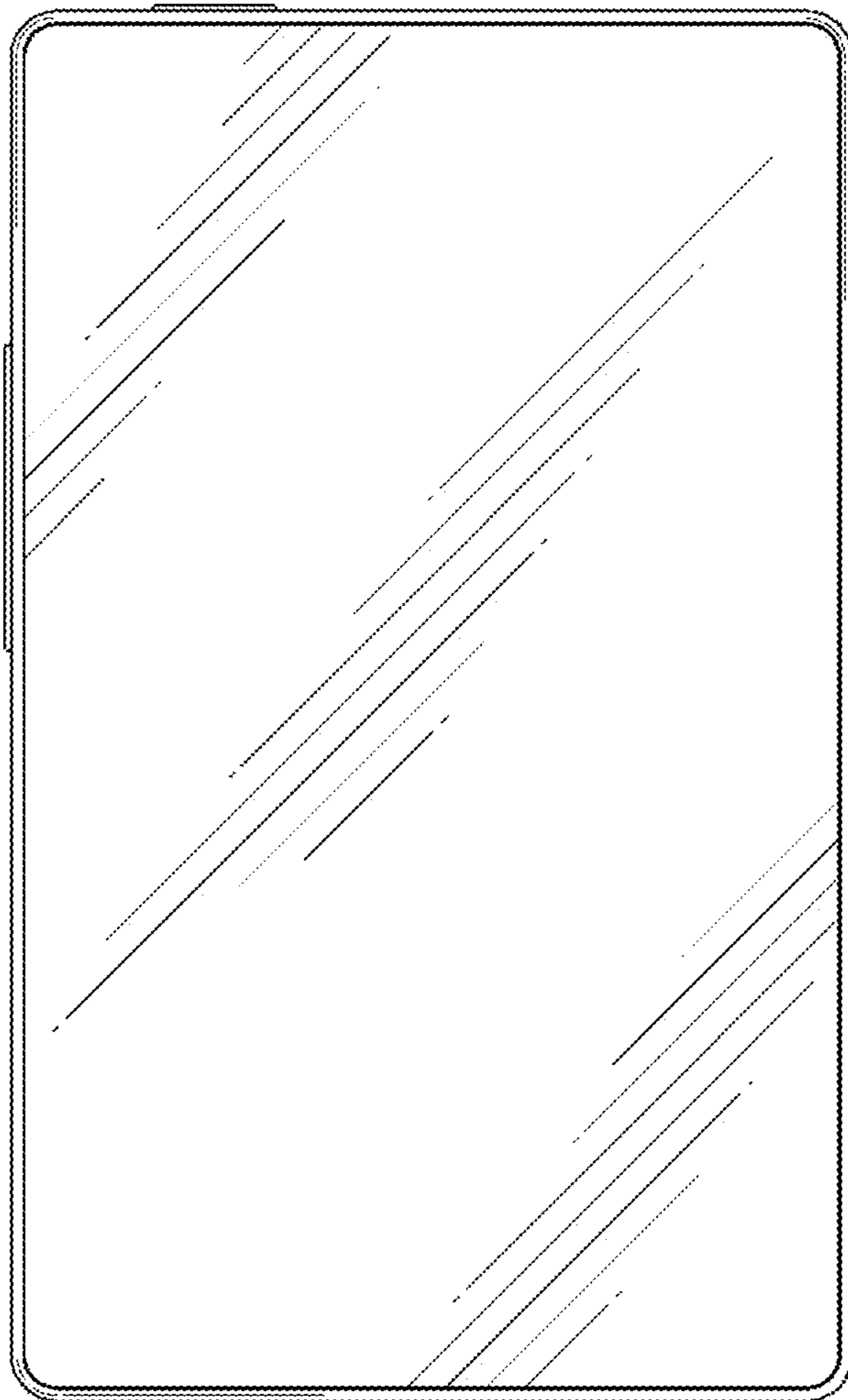


FIG.4



FIG.5



FIG.6

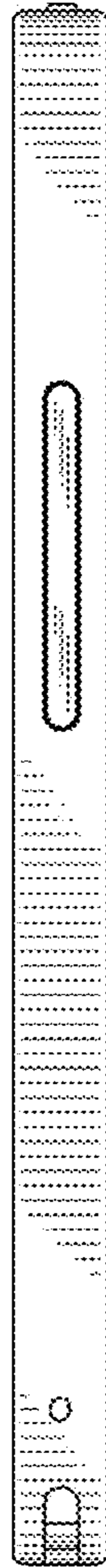


FIG.7



FIG.8