



US00D934235S

(12) **United States Design Patent** (10) **Patent No.:** **US D934,235 S**
Liao (45) **Date of Patent:** **** Oct. 26, 2021**

(54) **MOBILE PHONE STAND**
(71) Applicant: **DONGGUAN CHUANG LONG ELECTRONICS LIMITED,**
Dongguan (CN)
(72) Inventor: **Anzhang Liao,** Dongguan (CN)
(73) Assignee: **DONGGUAN CHUANG LONG ELECTRONICS LIMITED,**
Dongguan (CN)

D859,393 S * 9/2019 Dang D14/253
D861,670 S * 10/2019 Li D14/253
D877,066 S * 3/2020 Zhang D13/108
D881,200 S * 4/2020 Leeds-Frank D14/447
D887,417 S * 6/2020 Yarbough D14/447
D892,787 S * 8/2020 Chen D14/253
D895,601 S * 9/2020 Liao D14/253
D896,177 S * 9/2020 Zheng D13/108

(Continued)

(**) Term: **15 Years**

(21) Appl. No.: **29/744,591**

(22) Filed: **Jul. 30, 2020**

(51) **LOC (13) Cl.** **14-99**

(52) **U.S. Cl.**
USPC **D14/253; D12/415**

(58) **Field of Classification Search**
USPC D14/251-253, 224, 224.1, 432-434, 447,
D14/451, 452; D12/415, 426.1, 114, 223;
D16/242, 244, 245; D10/74; D3/218;
D13/108
CPC B60R 11/00; B60R 11/02; B60R 11/0241;
B60R 11/0252; B60R 2011/0003; B60R
2011/0005; B60R 2011/0008; H04M
1/04; H04B 1/3877; A45F 2200/0516;
A45F 2200/0525; H05K 5/02; H05K
5/0204; H05K 7/00; F16M 13/02; F16M
13/022; F16M 11/00; F16M 11/04; F16M
11/041; F16M 11/06

See application file for complete search history.

(56) **References Cited**

U.S. PATENT DOCUMENTS

D529,905 S * 10/2006 Richter D14/253
D530,713 S * 10/2006 Richter D14/253
D685,380 S * 7/2013 Richter D14/447
D750,612 S * 3/2016 Chen D14/253
D858,509 S * 9/2019 Yao D14/253

FOREIGN PATENT DOCUMENTS

EM 007788732-0001 * 4/2020

OTHER PUBLICATIONS

Amazon hot selling Dashboard Cellphone Holder . . . [online].
Original publication date unknown. [Retrieved from the Internet
May 17, 2021.] <URL: [https://www.alibaba.com/product-detail/
Amazon-hot-selling-Dashboard-Cellphone-Holder_1600149520442.
html](https://www.alibaba.com/product-detail/Amazon-hot-selling-Dashboard-Cellphone-Holder_1600149520442.html)>.*

Primary Examiner — Rebekah A Caruso

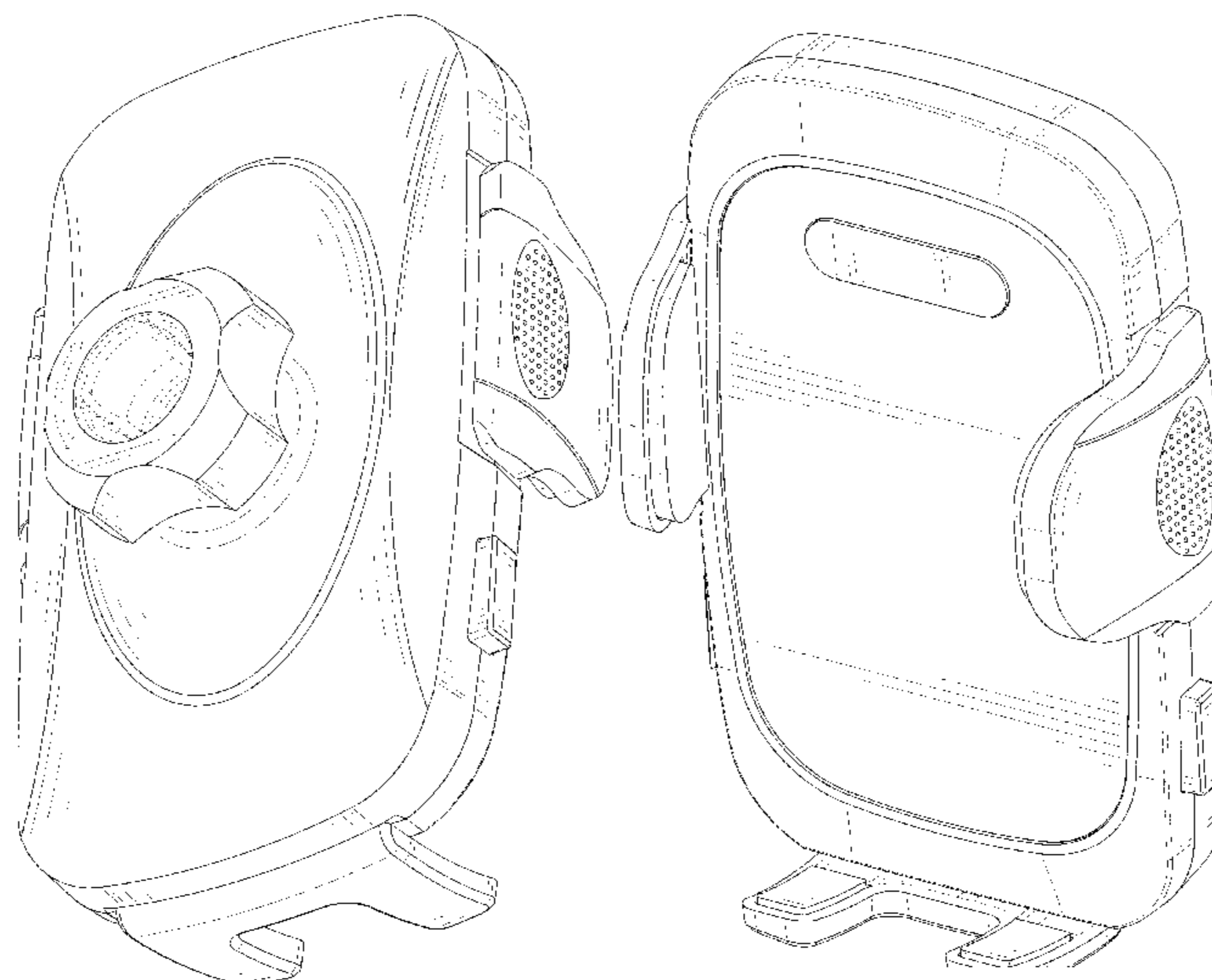
(57) **CLAIM**

The ornamental design for a mobile phone stand, as shown
and described.

DESCRIPTION

FIG. 1 is a perspective view of a mobile phone stand
showing my new design;
FIG. 2 is another perspective view thereof;
FIG. 3 is a front elevational view thereof;
FIG. 4 is a rear elevational view thereof;
FIG. 5 is a left side elevational view thereof;
FIG. 6 is a right side elevational view thereof;
FIG. 7 is a top plan view thereof;
FIG. 8 is a bottom plan view thereof; and,
FIG. 9 is a perspective view of the mobile phone stand where
the mobile phone stand is in a configuration of use.
The broken lines in the drawings depict portions of the
mobile phone stand that form no part of the claimed design.

1 Claim, 9 Drawing Sheets



(56)

References Cited

U.S. PATENT DOCUMENTS

D900,087 S * 10/2020 Leeds-Frank D14/253
D908,689 S * 1/2021 Chen D14/253

* cited by examiner

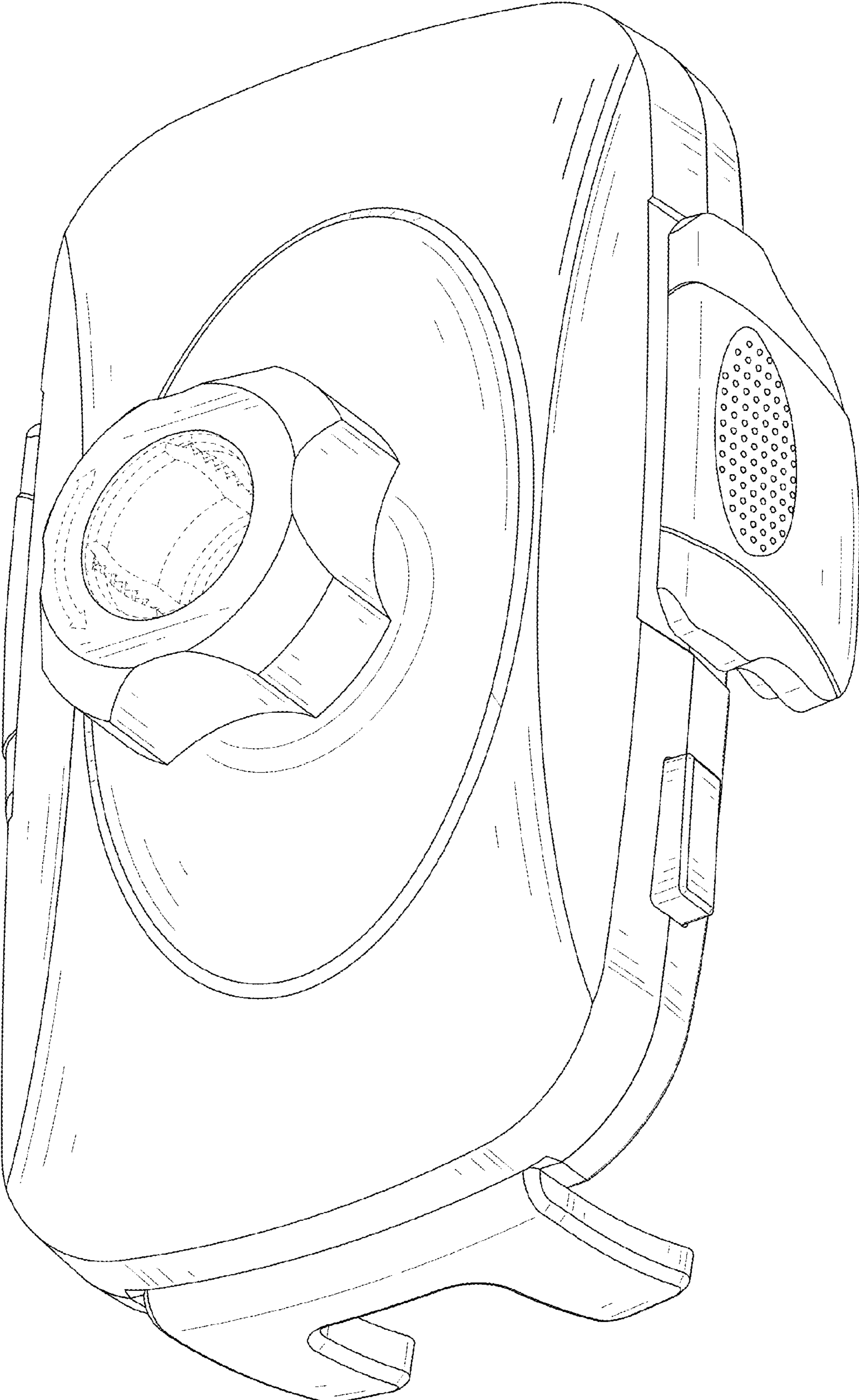


FIG. 1

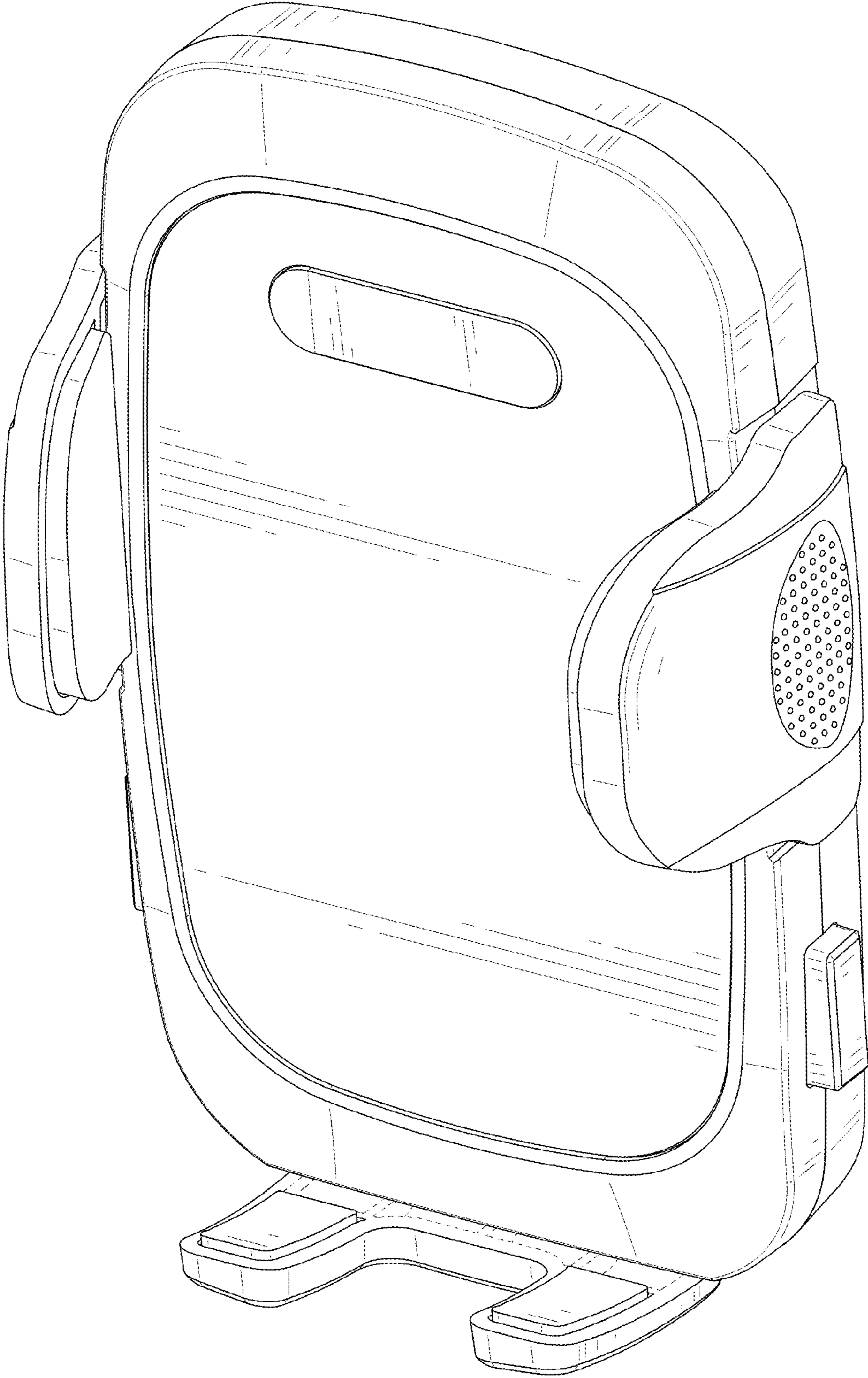


FIG. 2

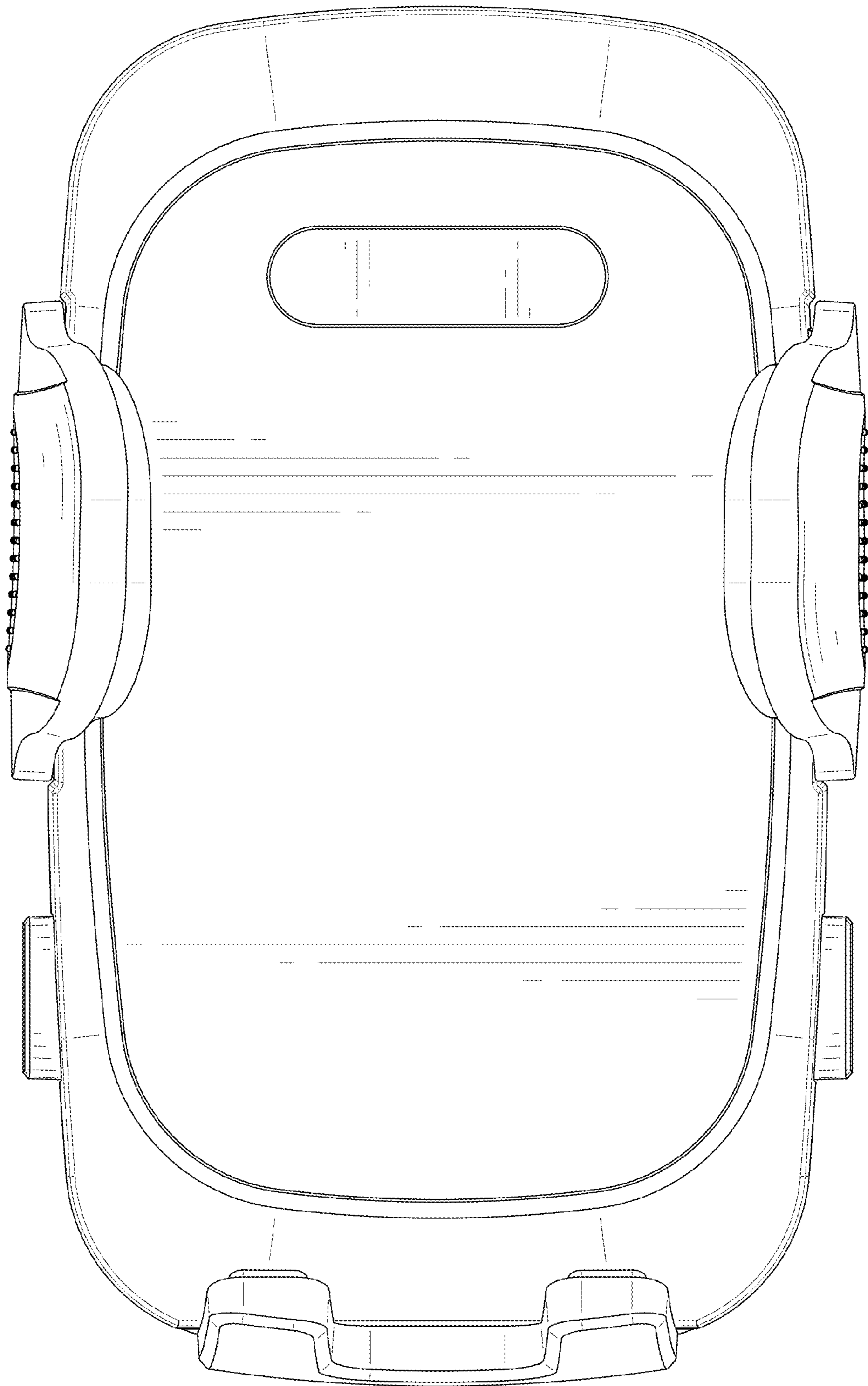


FIG. 3

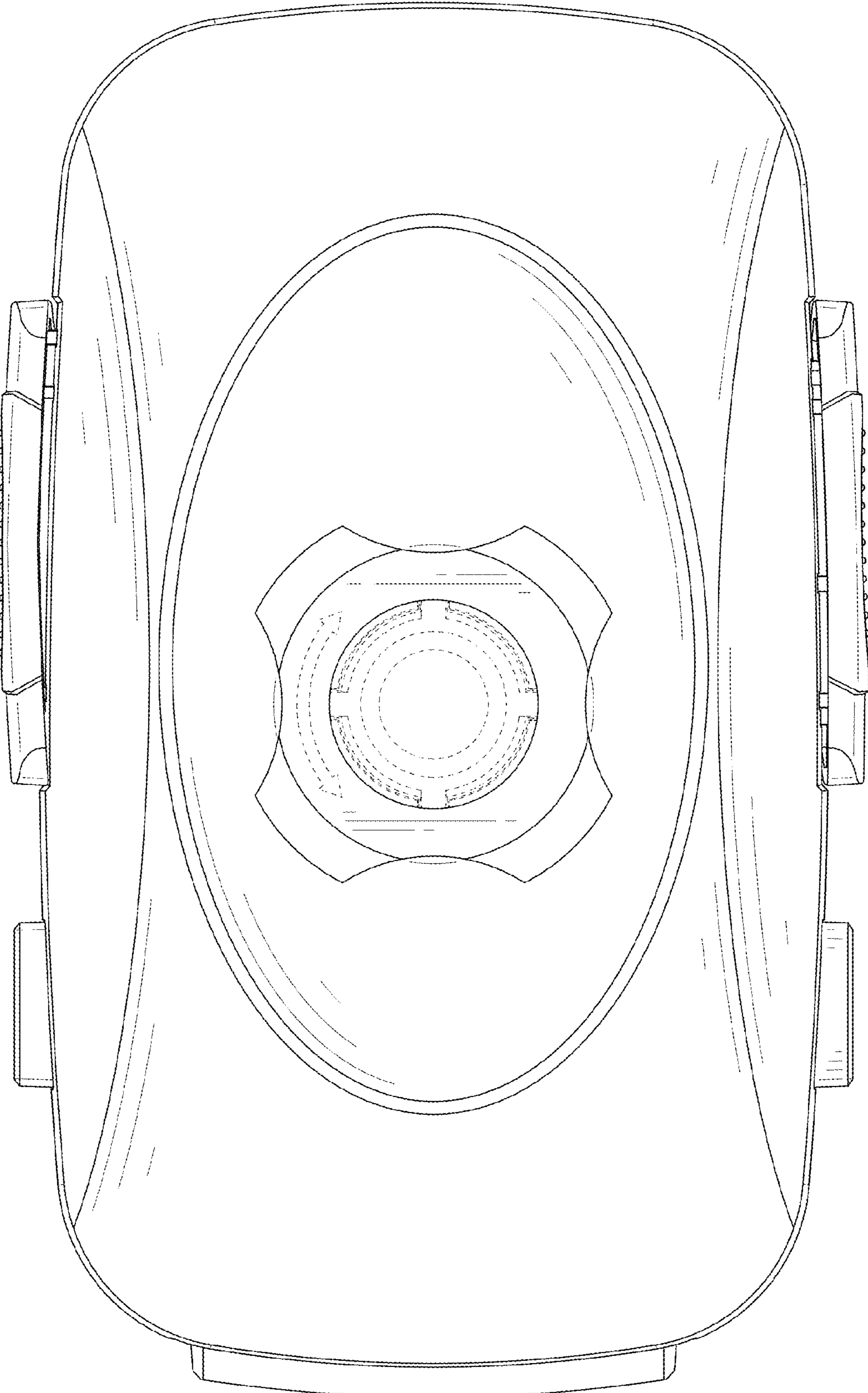


FIG. 4

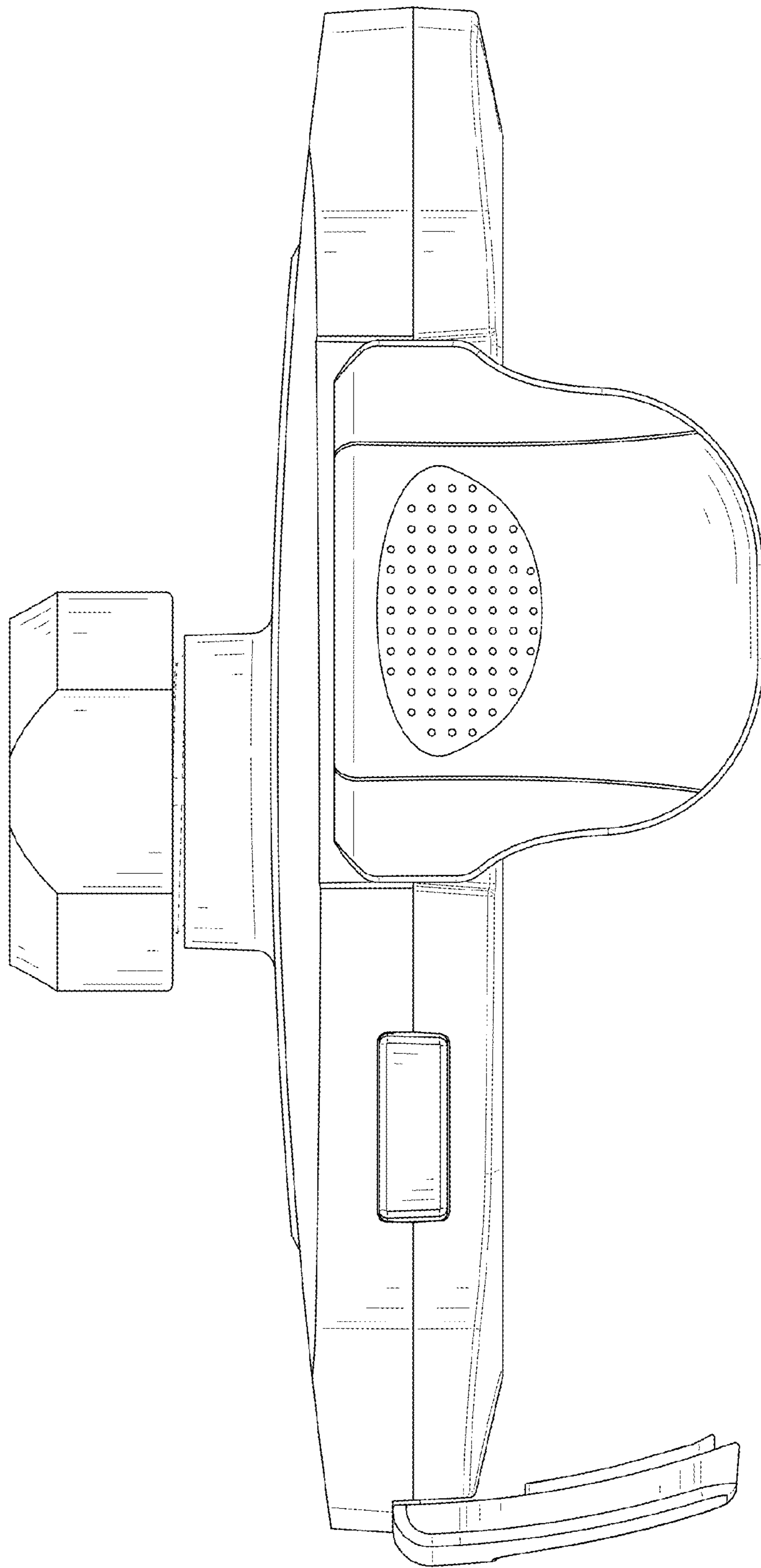


FIG. 5

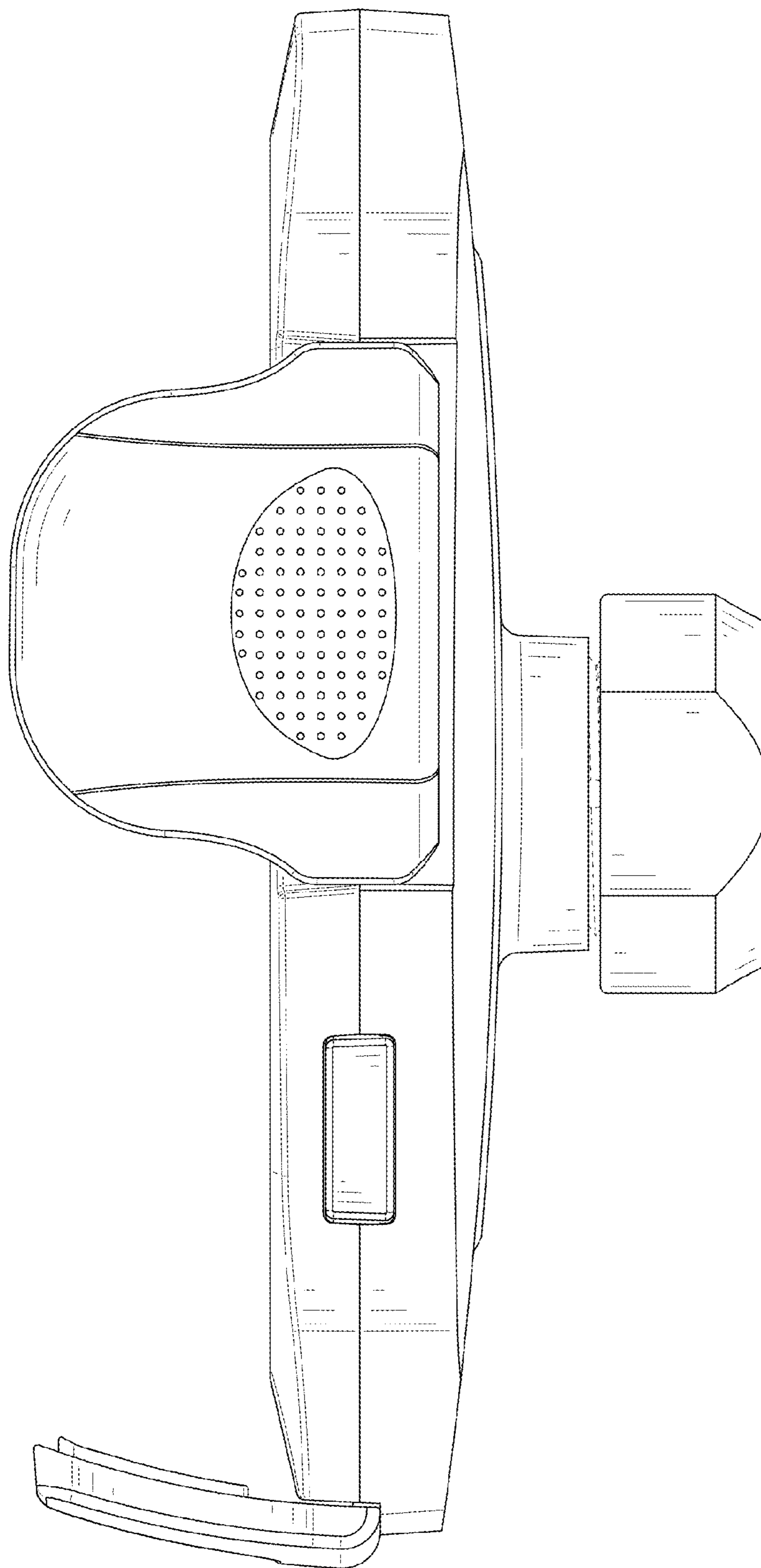


FIG. 6

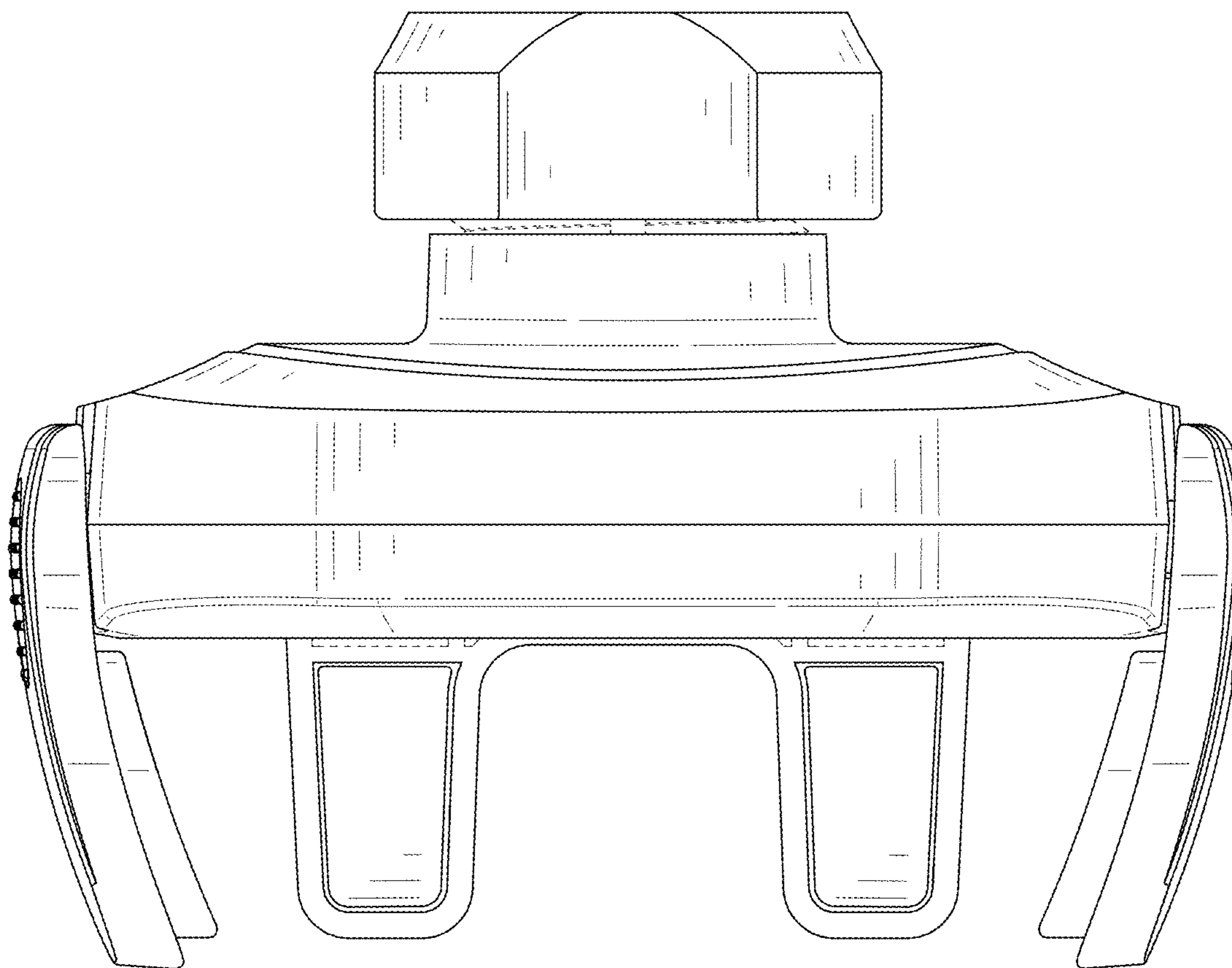


FIG. 7

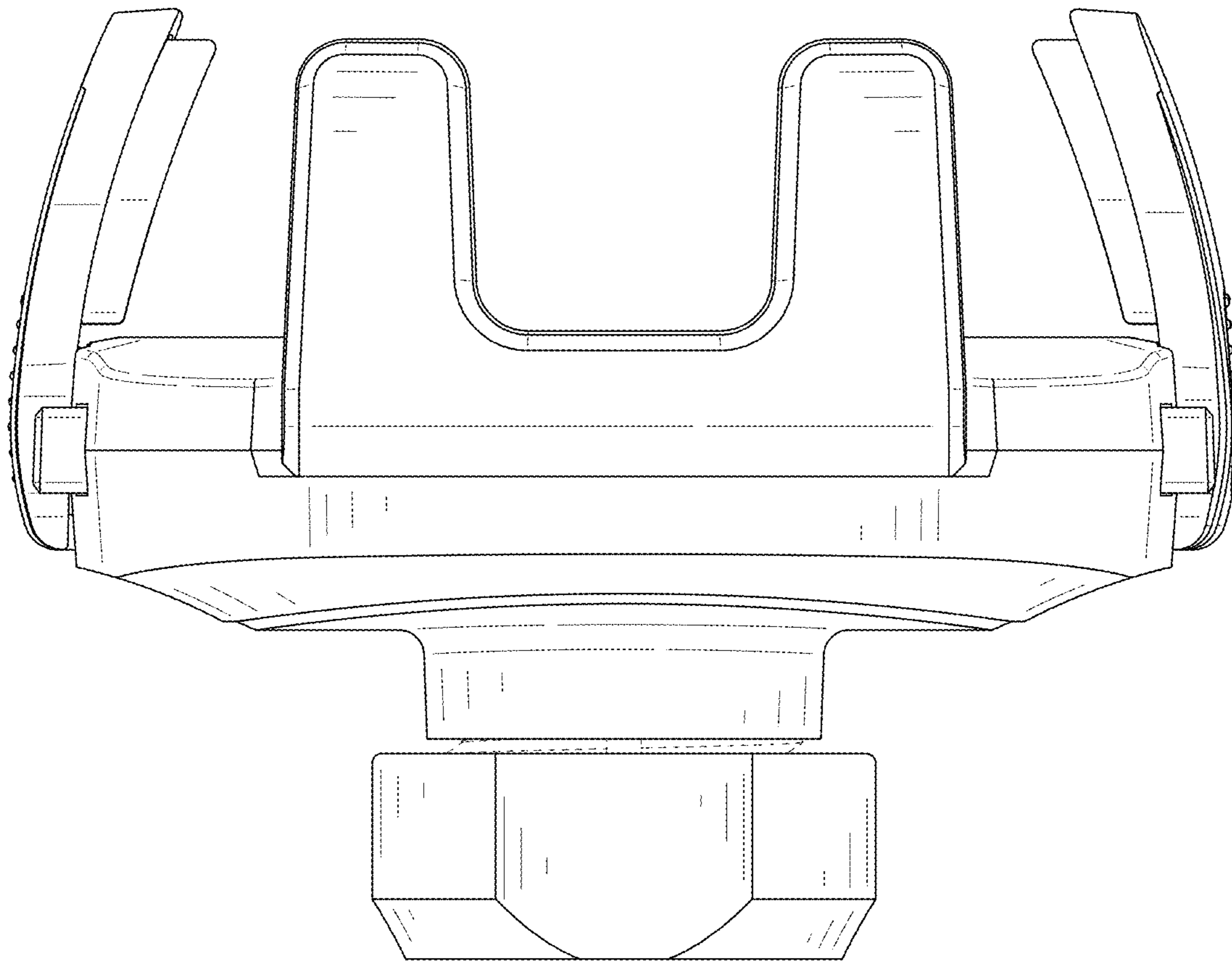


FIG. 8

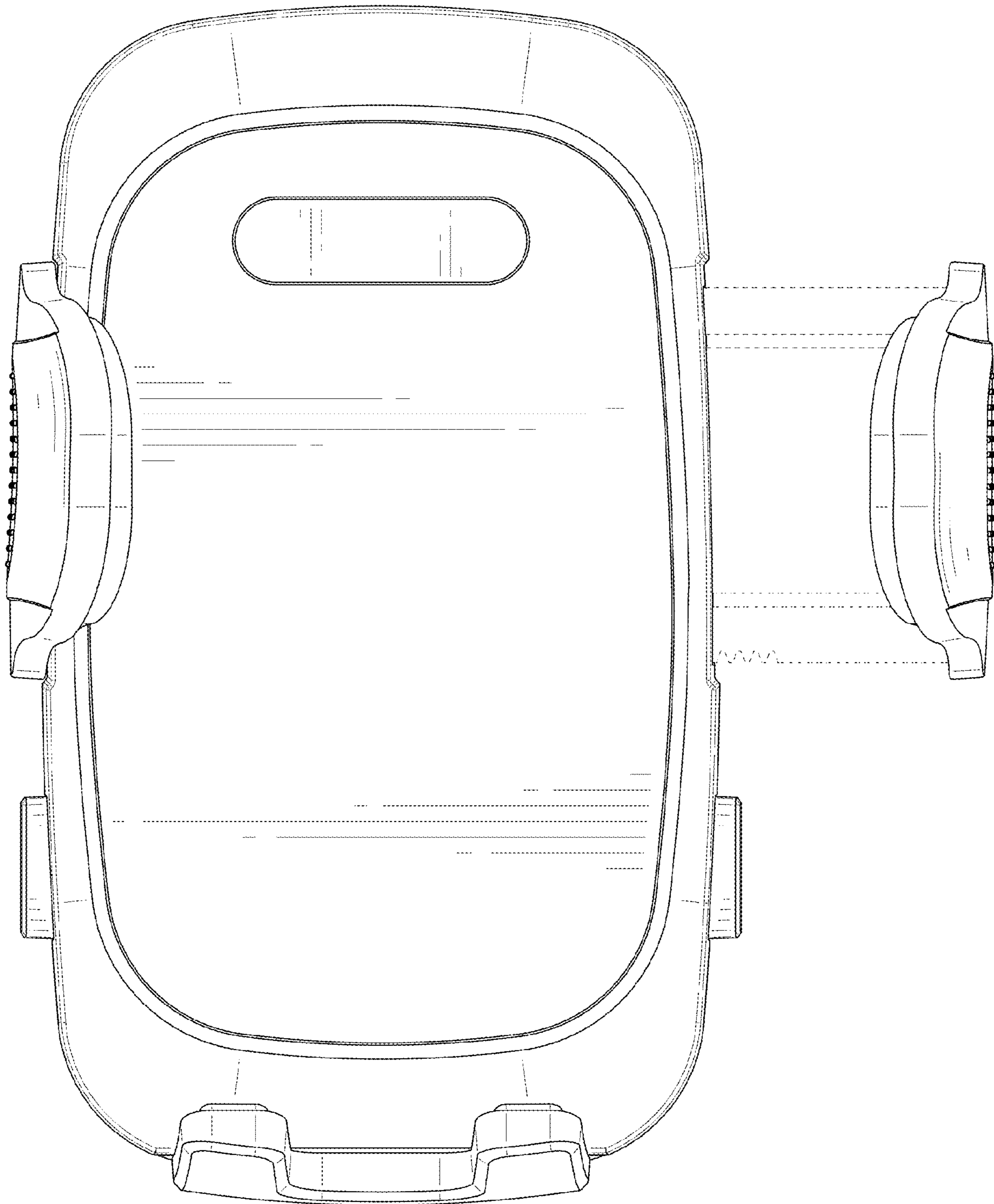


FIG. 9