



US00D934234S

(12) **United States Design Patent** (10) **Patent No.:** **US D934,234 S**
Deng (45) **Date of Patent:** **** Oct. 26, 2021**

(54) **DESKTOP PHONE AND TABLET STAND**

(71) Applicant: **Xiaoming Deng**, Shenzhen (CN)

(72) Inventor: **Xiaoming Deng**, Shenzhen (CN)

(**) Term: **15 Years**

(21) Appl. No.: **29/737,390**

(22) Filed: **Jun. 9, 2020**

(51) **LOC (13) Cl.** **14-99**

(52) **U.S. Cl.**
USPC **D14/253**; D14/447

(58) **Field of Classification Search**
USPC D14/251-253, 224, 224.1, 432-434, 447,
D14/451, 452; D12/415, 426.1, 114, 223;
D16/242, 244, 245; D10/74; D3/218;
D13/108
CPC B60R 11/00; B60R 11/02; B60R 11/0241;
B60R 11/0252; B60R 2011/0003; B60R
2011/0005; B60R 2011/0008; H04M
1/04; H04B 1/3877; A45F 2200/0516;
A45F 2200/0525; H05K 5/02; H05K
5/0204; H05K 7/00; F16M 13/02; F16M
13/022; F16M 11/00; F16M 11/04; F16M
11/041; F16M 11/06

See application file for complete search history.

(56) **References Cited**

U.S. PATENT DOCUMENTS

D614,613 S *	4/2010	Kim	D14/253
D625,302 S *	10/2010	Kasuga	D14/239
D723,011 S *	2/2015	Symons	D14/224
D724,072 S *	3/2015	Jiang	D14/253
D795,266 S *	8/2017	Williams	D14/447
D847,141 S *	4/2019	Williams	D14/447
D855,038 S *	7/2019	Hu	D14/224
D865,747 S *	11/2019	Sage	D14/253
D881,201 S *	4/2020	Lou	D14/447
D884,711 S *	5/2020	Zhang	D14/447
D898,017 S *	10/2020	Zhang	D14/253

D902,217 S *	11/2020	Zhang	D14/447
D904,387 S *	12/2020	Zhang	D14/253
D915,359 S *	4/2021	Zhang	D14/224
D916,686 S *	4/2021	Xie	D14/224
D920,981 S *	6/2021	Zhang	D14/434
D922,361 S *	6/2021	Jin	D14/224
11,025,762 B2 *	6/2021	Ackeret	F16M 11/105
2013/0048802 A1 *	2/2013	Guran	F16M 13/00
				248/122.1
2013/0342087 A1 *	12/2013	Guran	F16M 11/00
				312/7.2

FOREIGN PATENT DOCUMENTS

CN	304940124	*	12/2018
CN	305022843	*	2/2019
CN	305022844	*	2/2019
CN	305240863	*	7/2019
CN	305372491	*	10/2019
EM	005809340-0002	*	10/2018
EM	007984588-0002	*	7/2020
GB	9006630778-0011	*	7/2019
GB	6103005	*	10/2020

* cited by examiner

Primary Examiner — Rebekah A Caruso

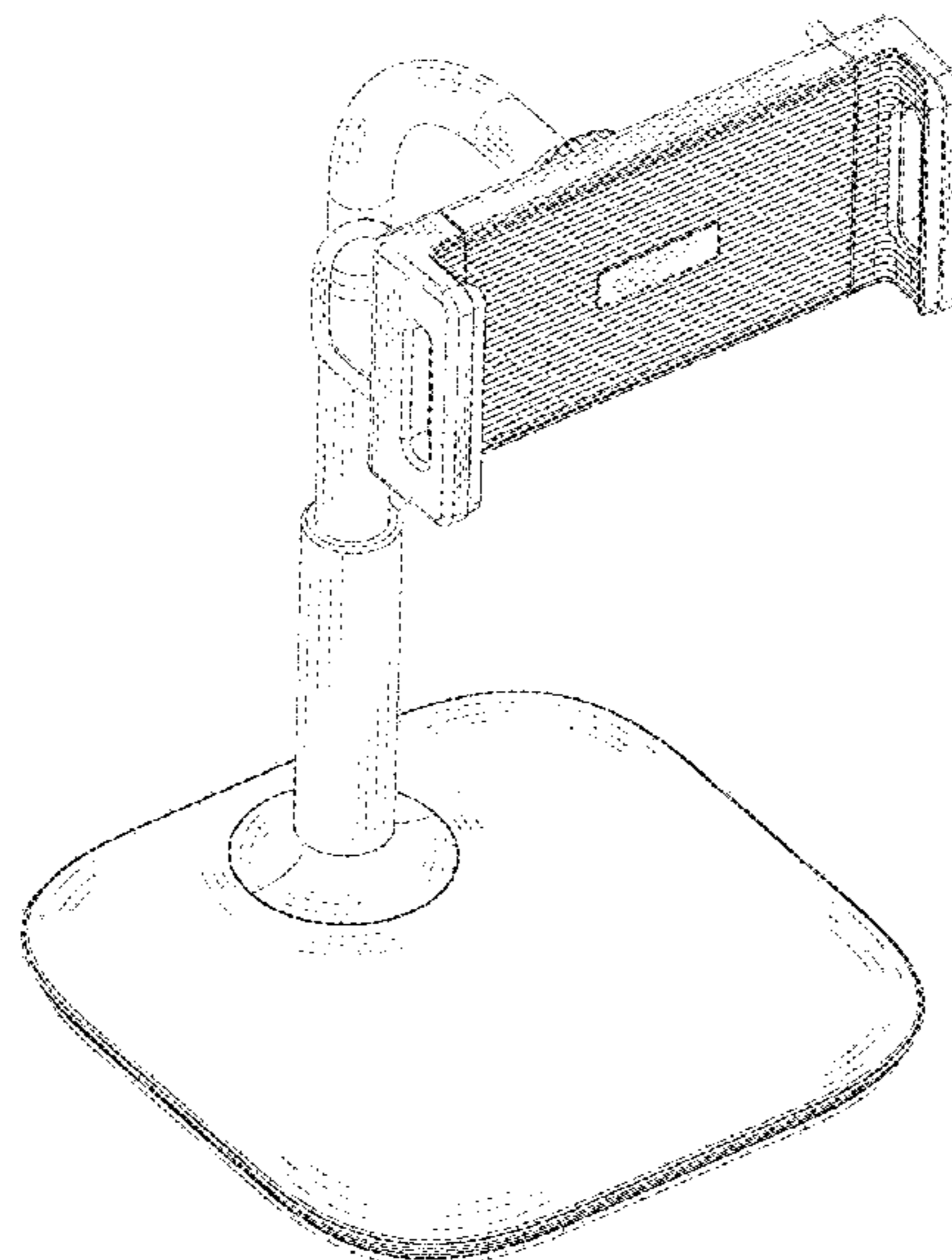
(57) **CLAIM**

The ornamental design for a desktop phone and tablet stand, as shown and described.

DESCRIPTION

FIG. 1 is a front and top perspective view of a desktop phone and tablet stand showing my new design;
FIG. 2 is a rear and bottom perspective view thereof;
FIG. 3 is a front elevation view thereof;
FIG. 4 is a rear elevation view thereof;
FIG. 5 is a left side elevation view thereof;
FIG. 6 is a right side elevation view thereof;
FIG. 7 is a top plan view thereof; and,
FIG. 8 is a bottom plan view thereof.

1 Claim, 8 Drawing Sheets



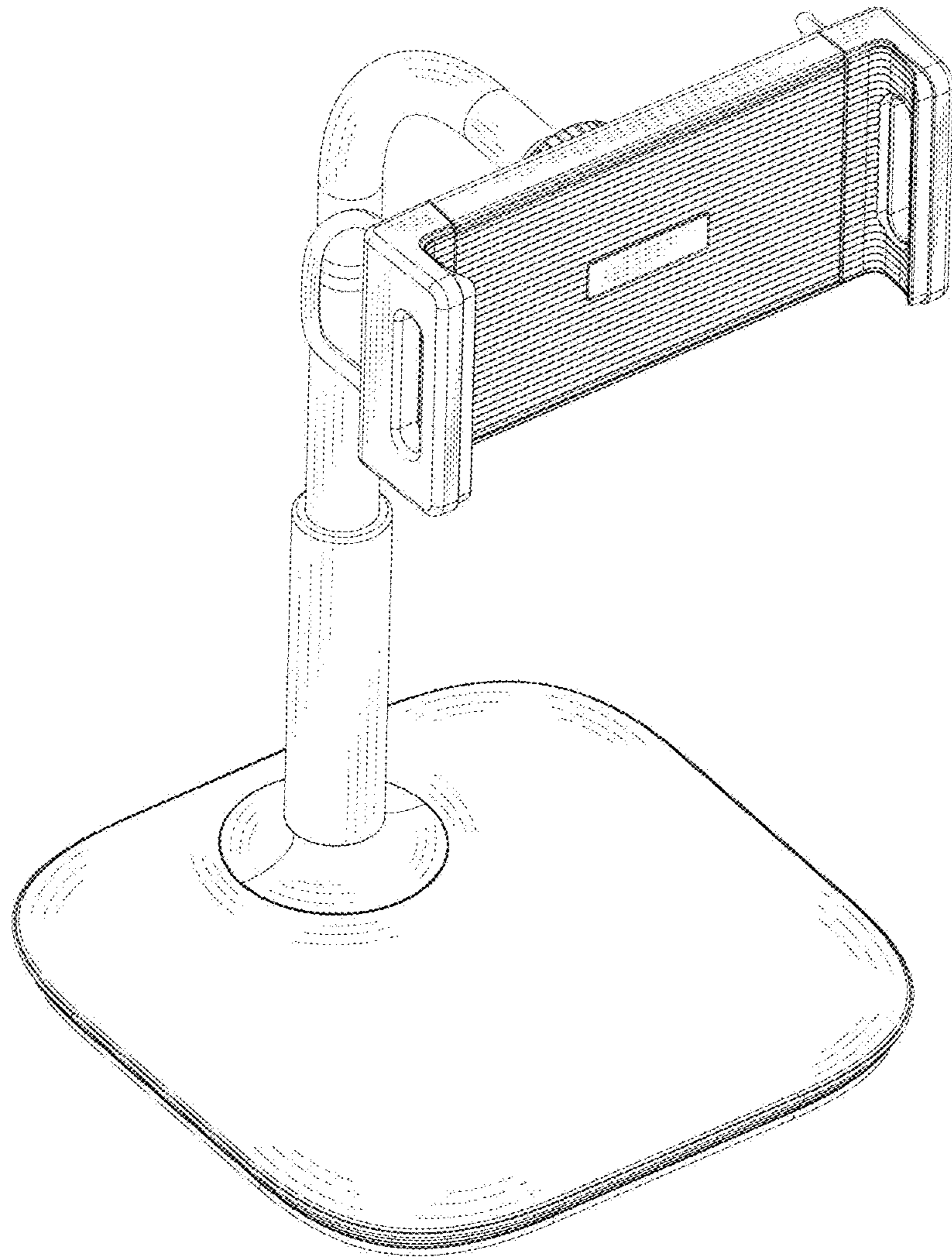


FIG.1

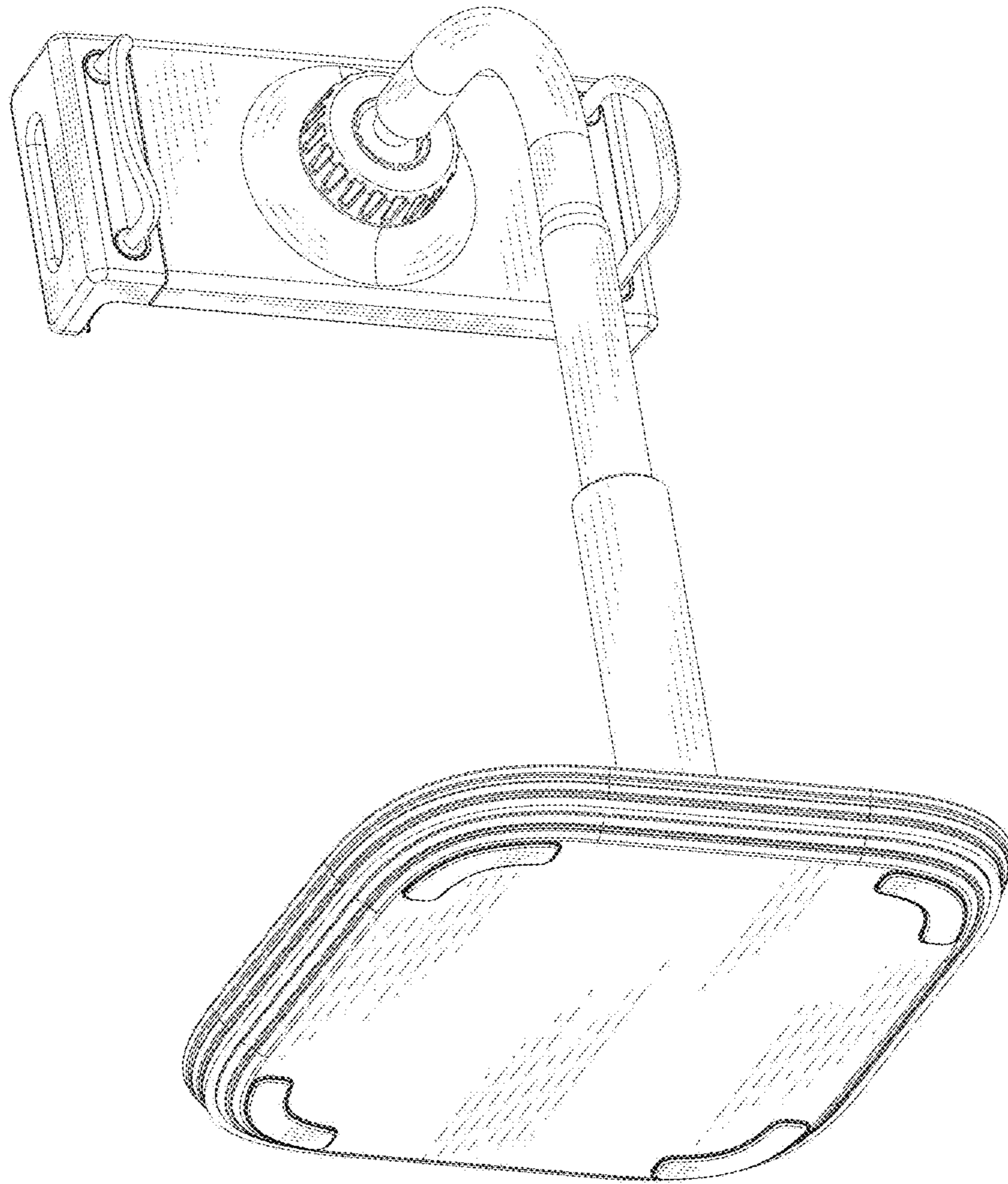


FIG.2

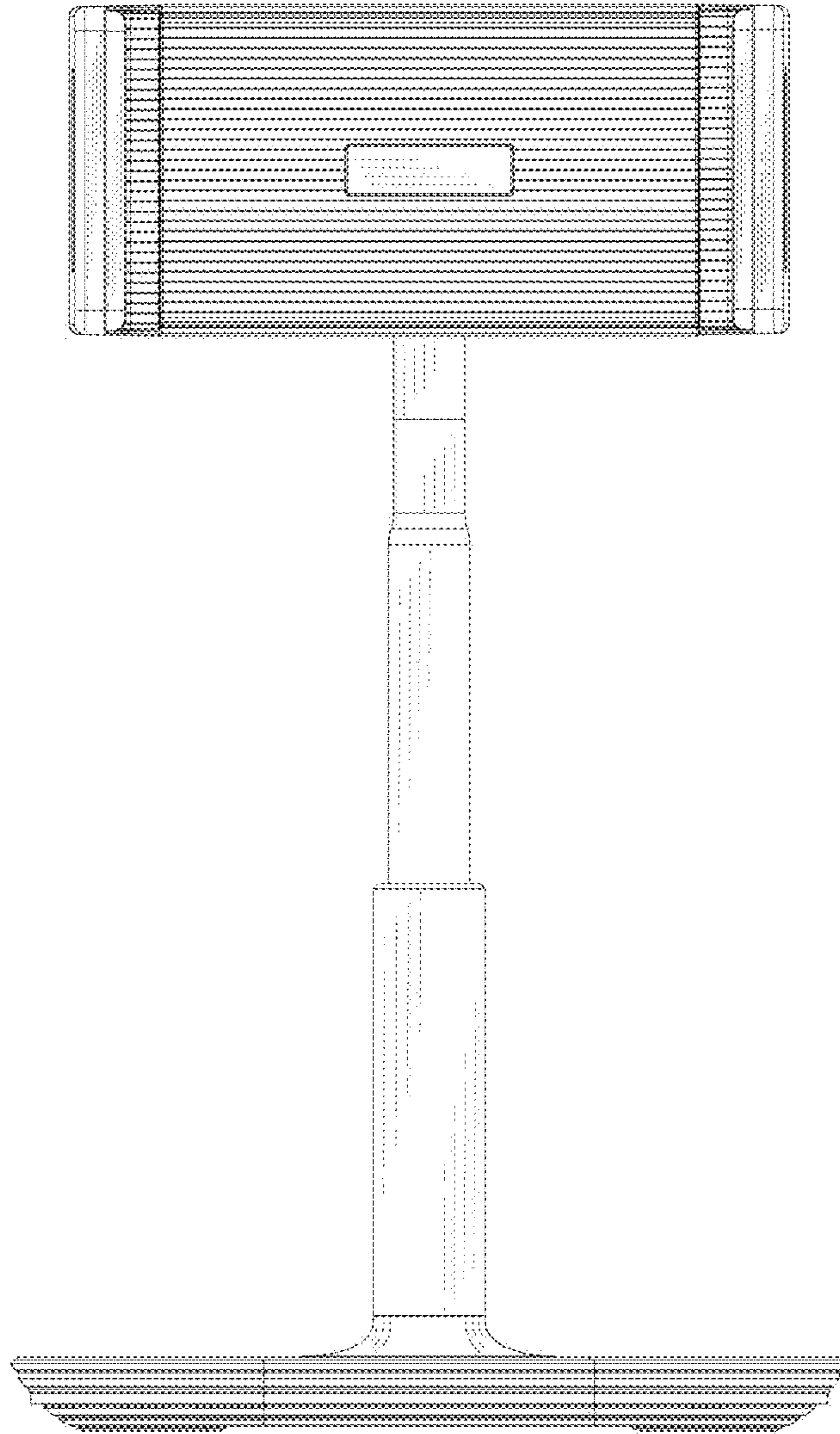


FIG.3

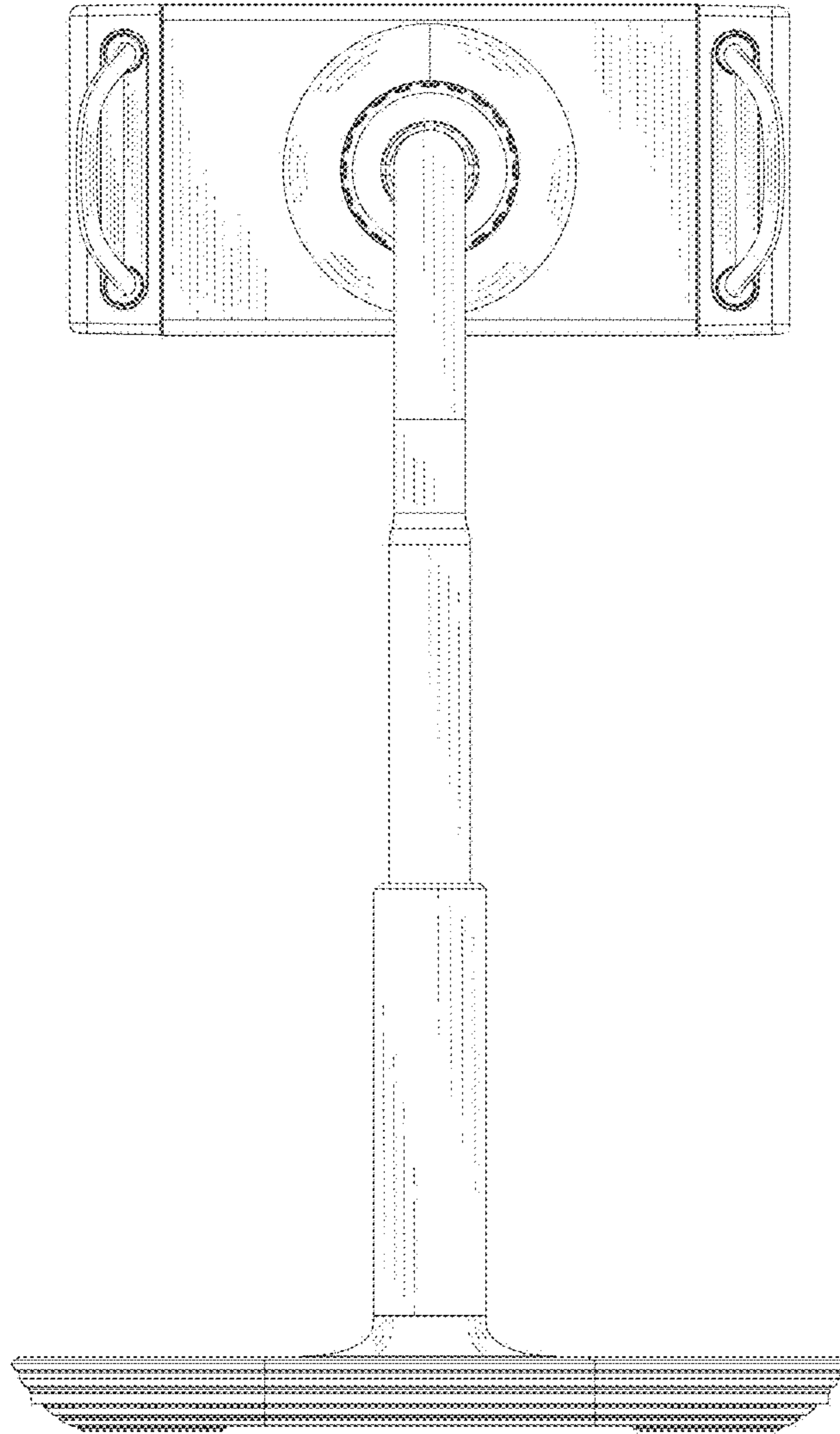


FIG. 4

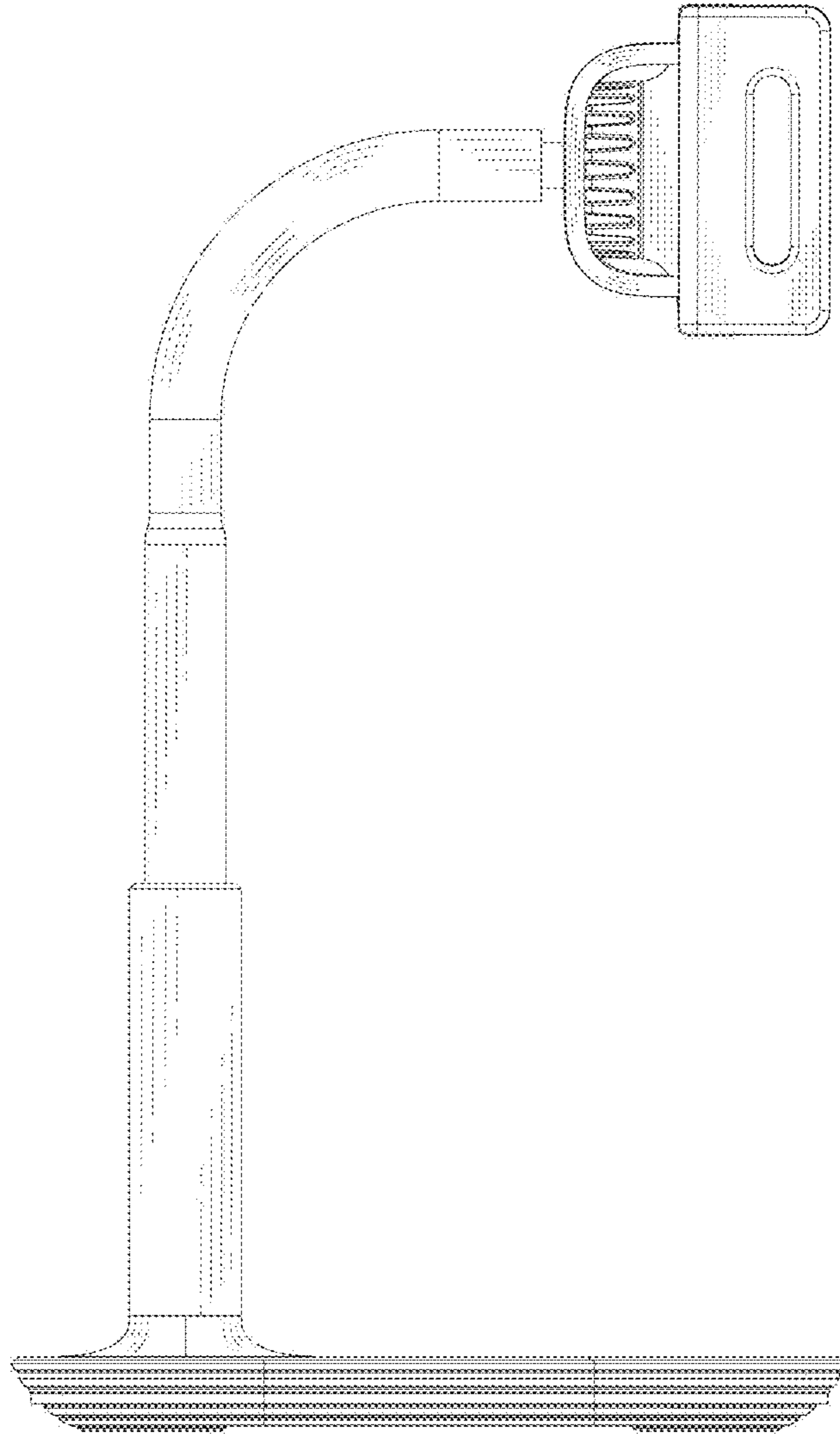


FIG.5

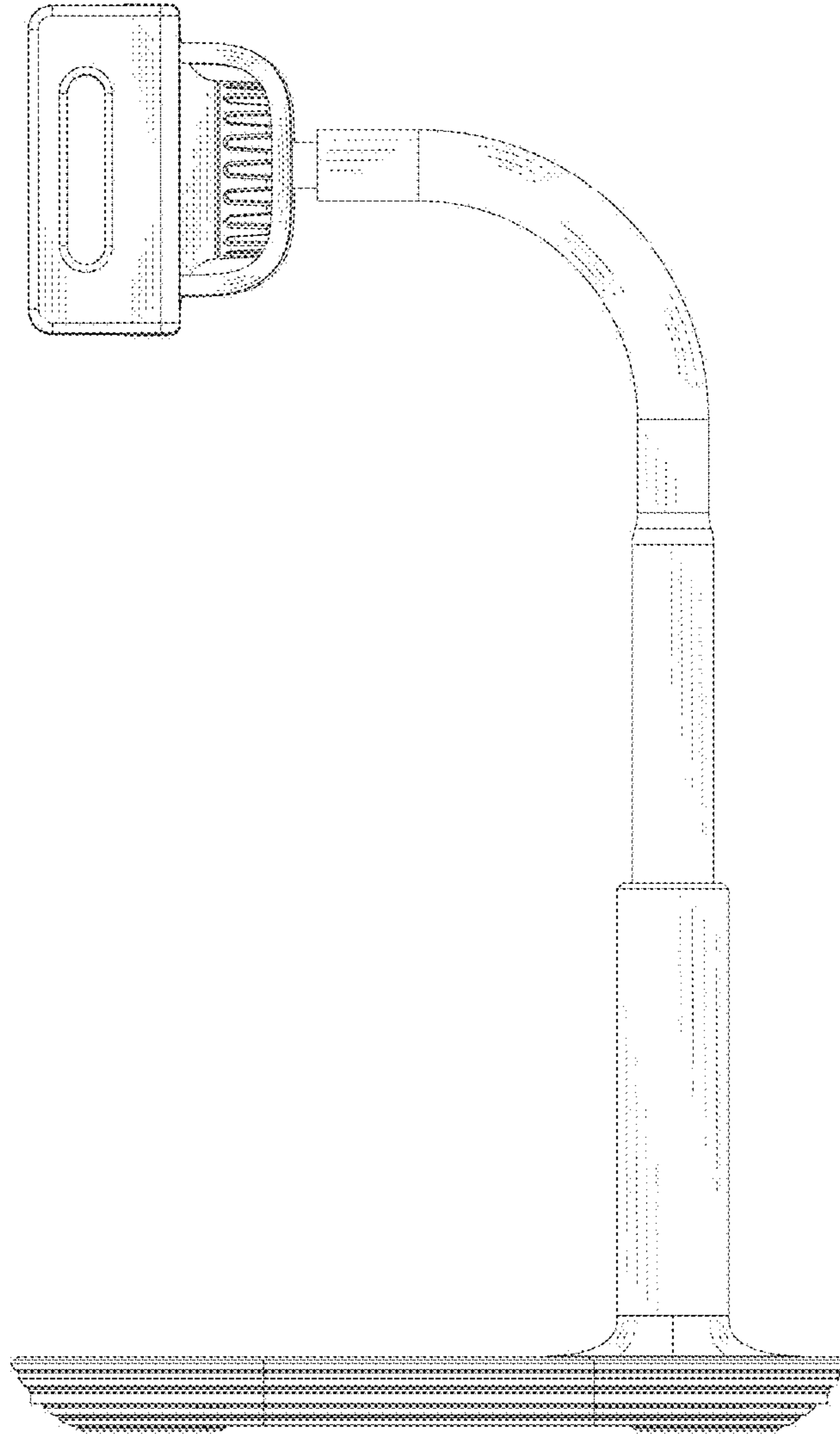


FIG.6

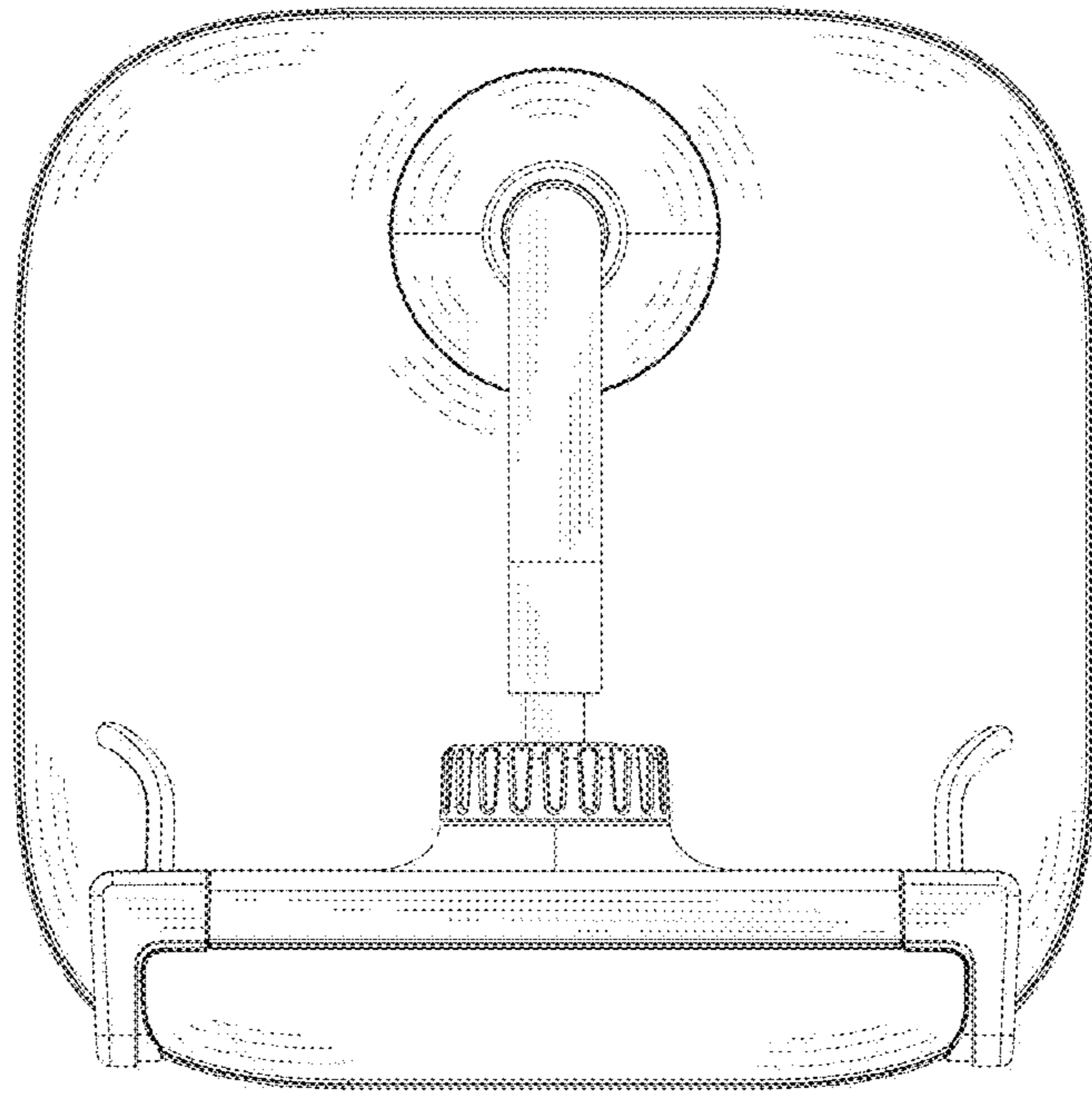


FIG. 7

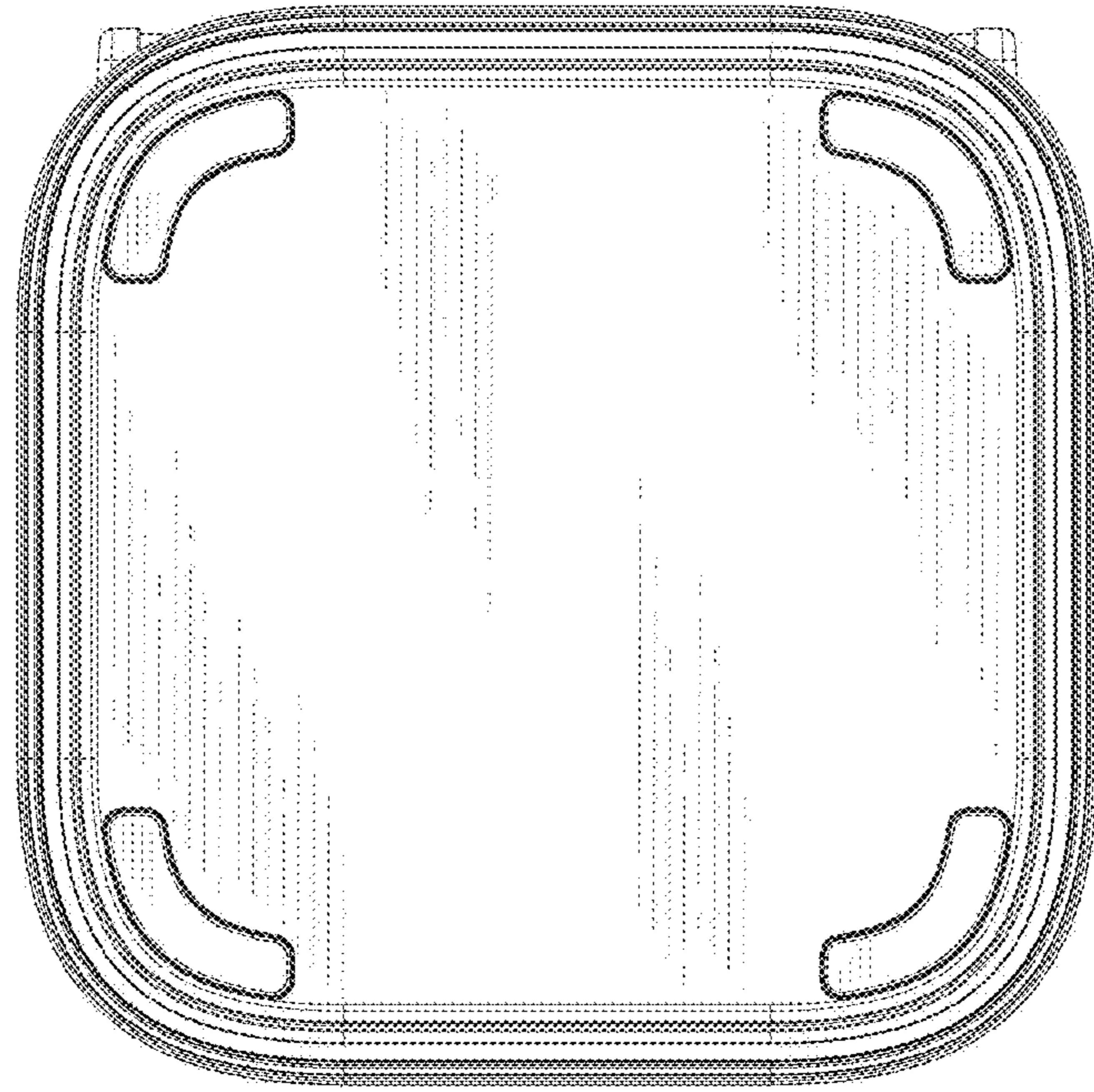


FIG. 8