



US00D934233S

(12) **United States Design Patent**  
**Iverson**

(10) **Patent No.:** **US D934,233 S**

(45) **Date of Patent:** **\*\* Oct. 26, 2021**

(54) **MOUNTING BRACKET FOR A PERSONAL ELECTRONIC DEVICE**

(71) Applicant: **MACNEIL IP LLC**, Bolingbrook, IL (US)

(72) Inventor: **David S. Iverson**, Oak Brook, IL (US)

(73) Assignee: **MACNEIL IP LLC**, Bolingbrook, IL (US)

(\*\*) Term: **15 Years**

(21) Appl. No.: **29/736,202**

(22) Filed: **May 28, 2020**

(51) **LOC (13) Cl.** ..... **14-03**

(52) **U.S. Cl.**

USPC ..... **D14/253**

(58) **Field of Classification Search**

USPC ..... D14/251–253, 250, 447, 217; D3/218;  
D16/204, 242–244; D12/415; D8/354,  
D8/363, 373, 380

CPC ..... A47B 21/04; A47B 2097/006; A47B  
2097/005; A47B 2023/49; A45C  
2011/002; A45C 2011/003; F16M  
2200/00; F16M 13/00; F16M 11/18;  
F16M 11/04; B60R 11/02

See application file for complete search history.

(56) **References Cited**

**U.S. PATENT DOCUMENTS**

D247,548 S 3/1978 Crary  
D289,898 S 5/1987 Miller  
(Continued)

**FOREIGN PATENT DOCUMENTS**

CN 106427807 2/2017

**OTHER PUBLICATIONS**

amazon.com, website, image of Belkin Car Cup Holder for Smartphones, downloaded on Jan. 17, 2019.

(Continued)

*Primary Examiner* — Janice Hallmark

(74) *Attorney, Agent, or Firm* — Perkins IP Law Group LLC; Jefferson Perkins

(57) **CLAIM**

I claim the ornamental design for a mounting bracket for a personal electronic device, as shown and described.

**DESCRIPTION**

FIG. 1 is a top front perspective view of my design shown with jaws thereof in a closed configuration, a mount base shown as environmental structure;

FIG. 2 is a top front perspective view of my design shown with the jaws thereof in the closed configuration and taken from a point of view different from FIG. 1;

FIG. 3 is a top rear perspective view thereof;

FIG. 4 is a front view thereof;

FIG. 5 is a rear view thereof;

FIG. 6 is a right side view thereof;

FIG. 7 is a left side view thereof;

FIG. 8 is a top view thereof;

FIG. 9 is a bottom view thereof;

FIG. 10 is a top front perspective view of the mounting bracket of FIG. 1 shown in an open configuration;

FIG. 11 is a top rear perspective view thereof as configured in FIG. 10;

FIG. 12 is a front view thereof as configured in FIG. 10;

FIG. 13 is a rear view thereof as configured in FIG. 10;

FIG. 14 is a right view thereof as configured in FIG. 10;

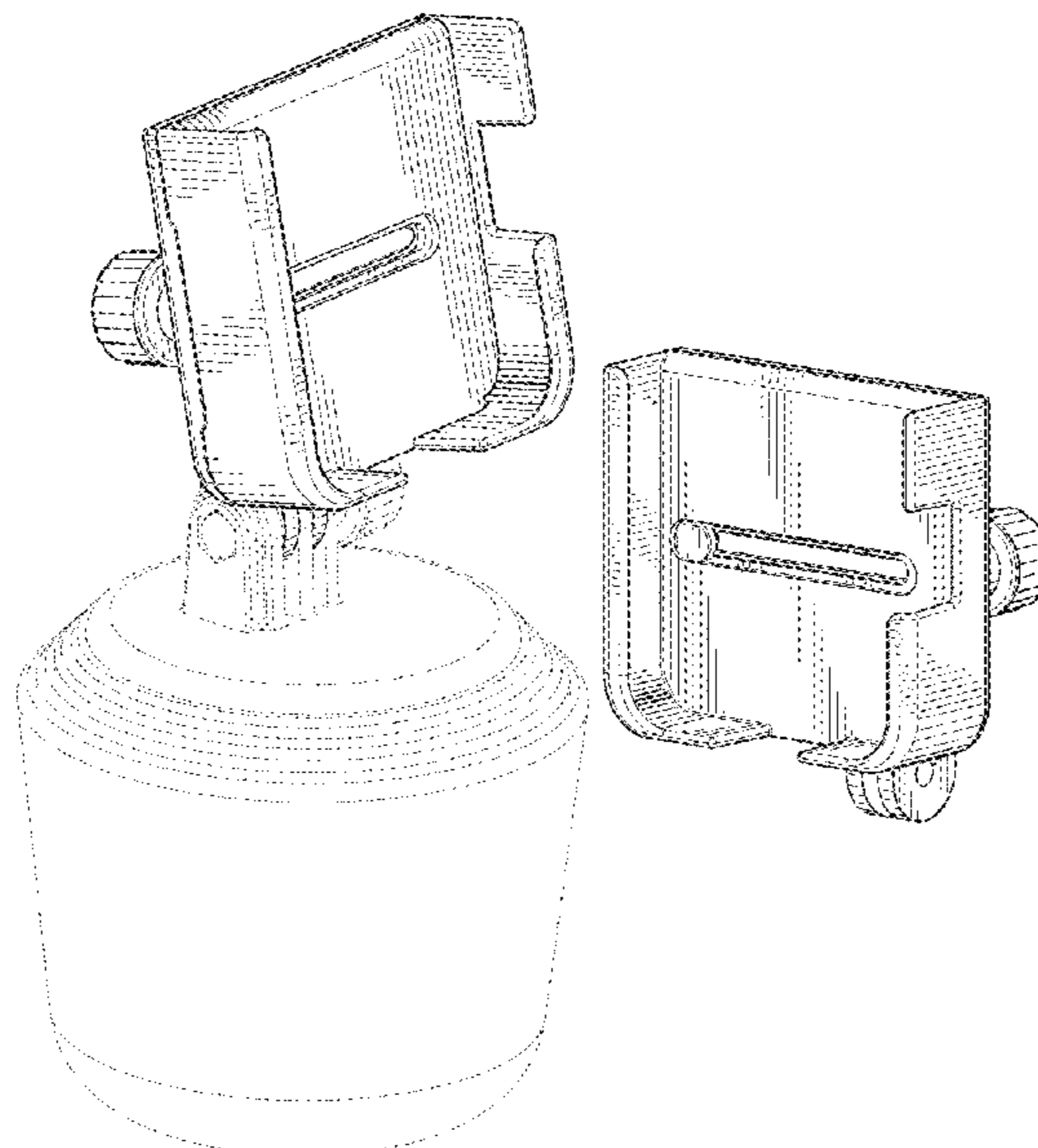
FIG. 15 is a left view thereof as configured in FIG. 10;

FIG. 16 is a top view thereof as configured in FIG. 10; and,

FIG. 17 is a bottom view thereof as configured in FIG. 10.

The broken lines shown illustrate environment that forms no part of the claimed design.

**1 Claim, 11 Drawing Sheets**



(56)

References Cited

U.S. PATENT DOCUMENTS

4,854,468 A	8/1989	Dahlquist, II et al.	
D309,307 S	7/1990	Sigurdson	
5,052,649 A	10/1991	Hunnicut	
D322,891 S	1/1992	Samuelson et al.	
5,088,673 A	2/1992	Chandler	
5,102,086 A	4/1992	Thomason	
5,135,195 A	8/1992	Dane	
5,174,534 A	12/1992	Mitchell	
5,180,088 A	1/1993	de Angeli	
5,285,938 A	2/1994	Fauchald	
5,285,953 A	2/1994	Smith	
D361,017 S	8/1995	Keven	
D370,392 S	6/1996	Flanagan	
D376,959 S	12/1996	Norris	
D377,740 S	2/1997	Swanson	
D380,650 S	7/1997	Norris	
5,651,523 A	7/1997	Bridges	
5,669,538 A	9/1997	Ward	
5,676,340 A	10/1997	Ruhnau	
5,745,565 A	4/1998	Wakefield	
D397,915 S	9/1998	McNaughton	
D400,763 S	11/1998	Taylor et al.	
D402,666 S	12/1998	Golder	
D407,408 S *	3/1999	Hoff	D14/253
5,897,041 A	4/1999	Ney et al.	
6,019,325 A	2/2000	Dotson et al.	
D422,182 S	4/2000	Miljanich	
6,062,518 A	5/2000	Etue	
6,099,062 A	8/2000	Siegel	
6,113,049 A	9/2000	Miljanich	
6,189,755 B1	2/2001	Wakefield	
D439,116 S	3/2001	White	
6,246,766 B1	6/2001	Walsh	
6,253,982 B1	7/2001	Gerardi	
6,267,340 B1	7/2001	Wang	
6,315,153 B1	11/2001	Osborn	
D451,504 S	12/2001	Edwards	
D452,236 S	12/2001	Kohli	
6,543,637 B1	4/2003	Osborn	
D475,044 S	5/2003	Kohli et al.	
D478,741 S *	8/2003	White	D19/77
6,827,318 B1	12/2004	Li	
D501,118 S	1/2005	Schrock	
D513,938 S	1/2006	Griffin	
D516,393 S	3/2006	Wickenhauser	
D524,807 S *	7/2006	Topinka	D14/253
7,099,466 B2	8/2006	Walsh	
7,099,467 B1 *	8/2006	Rohrbach	G09B 15/00 379/441
7,140,586 B2	11/2006	Seil et al.	
7,194,087 B2	3/2007	Luginbill et al.	
D546,823 S *	7/2007	Dayan	D14/253
7,246,555 B2	7/2007	Small et al.	
D551,912 S	10/2007	Cooke	
D558,769 S	1/2008	Krieger et al.	
7,597,301 B2	10/2009	Seil	
7,611,114 B1 *	11/2009	Griffin	A45F 5/00 248/311.2
D610,353 S *	2/2010	Cooney	D3/313
7,668,309 B2	2/2010	Wilcox	
7,708,247 B2	5/2010	Lota	
D625,715 S	10/2010	Adams, II	
D643,252 S	8/2011	Seidl	
8,061,670 B1	11/2011	White	
D651,473 S	1/2012	Cribb	
D654,119 S	2/2012	Lin	
D655,282 S	3/2012	Richter	
D687,437 S	8/2013	Hagenauer	
D705,211 S	5/2014	Huang	
D709,066 S	7/2014	Byun	
8,777,307 B2	7/2014	Nelson et al.	
D718,298 S	11/2014	Aspinall et al.	
8,922,354 B2	12/2014	Nagara et al.	
D721,074 S *	1/2015	Harris	D14/253
9,079,545 B2	7/2015	Dugan	
9,161,466 B2	10/2015	Huang	
9,162,630 B2 *	10/2015	Pluta	B60R 11/02
9,254,793 B2	2/2016	Won	
D765,064 S *	8/2016	Wengreen	D14/238.1
D767,279 S	9/2016	Gummo	
D771,614 S	11/2016	Chang	
D777,167 S *	1/2017	Wengreen	D14/447
D777,720 S	1/2017	Russell	
9,573,532 B2	2/2017	Riddiford et al.	
9,616,793 B2	4/2017	Llorca	
D788,571 S	6/2017	Richter	
9,698,851 B2	7/2017	Andrus	
9,758,248 B2	9/2017	Procter et al.	
D799,469 S	10/2017	Esses	
9,821,723 B2	11/2017	Mannarino	
D807,701 S	1/2018	Bo	
D809,998 S	2/2018	Dabel et al.	
9,900,417 B1	2/2018	Ruiz	
D817,317 S	5/2018	Lee	
9,987,993 B2	6/2018	Thorimbert	
D823,062 S	7/2018	Goodwin et al.	
D832,248 S	10/2018	Sukphist et al.	
D833,369 S	11/2018	Changwen	
D835,113 S	12/2018	Kim	
10,155,482 B2	12/2018	Corso	
D837,613 S	1/2019	Nichols	
10,183,604 B2	1/2019	Krishnan	
D845,962 S	4/2019	Yao et al.	
D847,800 S *	5/2019	Wengreen	D14/238.1
D847,801 S *	5/2019	Wengreen	D14/238.1
D848,412 S	5/2019	Greve et al.	
D848,443 S	5/2019	Yao et al.	
10,284,250 B2	5/2019	Andrus	
10,308,155 B1	6/2019	Cline	
10,315,585 B2	6/2019	Minn et al.	
D858,438 S	9/2019	Levy	
D859,393 S *	9/2019	Dang	D14/253
D859,395 S	9/2019	Yao et al.	
10,442,367 B1 *	10/2019	Gachuz Navarro	B60R 11/02
D867,346 S	11/2019	Hofstede	
D867,999 S	11/2019	Li	
D868,036 S	11/2019	Sohn et al.	
D868,540 S	12/2019	Kemker	
D868,619 S	12/2019	Fohr	
D868,740 S	12/2019	Kang et al.	
D869,328 S	12/2019	Nelson	
D869,951 S	12/2019	Yi et al.	
D870,040 S	12/2019	Wu	
D870,094 S	12/2019	Ma	
D870,923 S	12/2019	Panagiotis et al.	
D871,149 S	12/2019	Kaiser	
D871,152 S	12/2019	Hudson	
D872,014 S *	1/2020	Zhang	D13/108
D872,380 S	1/2020	Liu	
D872,511 S	1/2020	Parks	
D872,537 S	1/2020	Guccione	
D872,539 S	1/2020	Hewitt et al.	
D872,725 S	1/2020	Lindof	
D872,727 S	1/2020	Chung	
D873,205 S *	1/2020	MacNeil	D12/415
D877,043 S *	3/2020	MacNeil	D12/415
D878,279 S	3/2020	MacNeil et al.	
10,576,905 B1 *	3/2020	MacNeil	H04B 1/3877
D881,896 S *	4/2020	Burns	D14/447
D888,045 S *	6/2020	Hu	D14/253
D890,740 S *	7/2020	Khubani	D14/253
D899,431 S *	10/2020	Burns	D14/447
D913,273 S *	3/2021	Lan	D14/253
D914,690 S *	3/2021	Wengreen	D14/447
D920,219 S *	5/2021	Iverson	D12/415
2002/0049081 A1	4/2002	Heininger	
2002/0094078 A1	7/2002	Edwards	
2004/0086112 A1 *	5/2004	Hilger	B60R 11/0241 379/455
2014/0176062 A1	6/2014	Jung	
2020/0130604 A1 *	4/2020	MacNeil	H04M 1/04
2020/0130605 A1 *	4/2020	MacNeil	H04M 1/04



(56)

**References Cited**

U.S. PATENT DOCUMENTS

2020/0186632 A1\* 6/2020 Iverson ..... H04M 1/04  
 2020/0290522 A1\* 9/2020 Iverson ..... B60R 11/02

OTHER PUBLICATIONS

amazon.com, website, image of Custom Accessories 23384 Heavy Cup Mount Magnetic Phone Holder, downloaded on Jan. 17, 2019.  
 amazon.com, website, image of Macally Adjustable Automobile Cup Holder Phone Mount, downloaded on Jan. 17, 2019.  
 amazon.com, website, image of Mediabridge Smartphone Cradle w/Extended Cup Holder Mount, downloaded on Jan. 17, 2019.  
 amazon.com, website, image of NNDA CO Universal Adjustable Gooseneck Cup Holder Cradle Car Mount For Phone, downloaded on Jan. 17, 2019.  
 amazon.com, website, image of Sunjoyco Car Cup Holder Mount for Phone Tablet, 2-in-1 Car Cradles Adjustable Gooseneck Holder, downloaded on Jan. 17, 2019.  
 amazon.com, website, image of Tackform Solutions Car Phone Holder Magnetic Mount, downloaded on Jan. 17, 2019.  
 amazon.com, website, image of TNP Cup Holder Phone Mount, Universal Car Cup Smartphone Cradle Clamp w/Flexible Neck, downloaded on Jan. 17, 2019.  
 amazon.com, website, image of USA Gear Cup Holder Suction Mount Surface Adapter, downloaded on Jan. 17, 2019.  
 crutchfield.com, website, image of Bracketron BT 16572 PhabGrip cup holder mount, downloaded on Jan. 17, 2019.  
 HDAccessory.com, website, image of Universal Smartphone Cup Holder Mount, downloaded on Jan. 17, 2019.

stacksocial.com, website, image of U-Grip Cup Holder Car Mount for Phones and Tablets, downloaded on Jan. 17, 2019.  
 walmart.com, website, image of Universal Adjustable Gooseneck Cup Holder Cradle Car Mount for Cell Phone, downloaded on Jan. 17, 2019.  
 rakuten.com, website, image of Smartphone 8" Long Car Cup Holder, IKross Phone Mount, downloaded on Jan. 17, 2019.  
 Macally Cell Phone Cup Holder for Car Mount, Amazon.com, Date First Available: Jun. 29, 2017, [online], [site visited Oct. 24, 2019]. <URL: <https://www.amazon.com/Macally-Samsung-Motorola-Smartphones-MCUP/dp/B002JTWRN8>> (Year: 2017).  
 Cellet PH600 Car Cup Holder Mount, Amazon.com, [online], [site visited Oct. 24, 2019]. <URL: [https://www.amazon.com/dp/B006BIQBMQref=psdc\\_2230642011\\_t4\\_B002JTWRN8](https://www.amazon.com/dp/B006BIQBMQref=psdc_2230642011_t4_B002JTWRN8)> (Year: 2019).  
 10 Cup Holder Phone Mount Reviews for 2019, HotRate.com, By Joey Randall, Last Updated Jan. 25, 2019, [online], [site visited Oct. 24, 2019]. <URL: <https://www.hotrate.com/electronics/cup-holder-phone-mount/>> (Year: 2019).  
 CupFone, WeatherTech.com, [online], [site visited Jan. 16, 2020]. <URL: <https://www.weathertech.com/weathertech-cupfone/cupfone/>> (Year: 2020).  
 WeatherTech CupFone: Up-Close Look, YouTube.com, WeatherTech, Published on Feb. 18, 2019, [online], [site visited Jan. 16, 2020]. <URL: <https://www.youtube.com/watch?v=OARZXF2c6cU>. (Year: 2019).  
 Green Sprouts Dream Window Stacking Cups 6 Counts, BabyPallet.com, [online], [site visited Jan. 16, 2020]. <URL: <https://babypallet.com/product/green-sprouts-dream-window-stacking-cups-6-counts/>> (Year: 2020).

\* cited by examiner

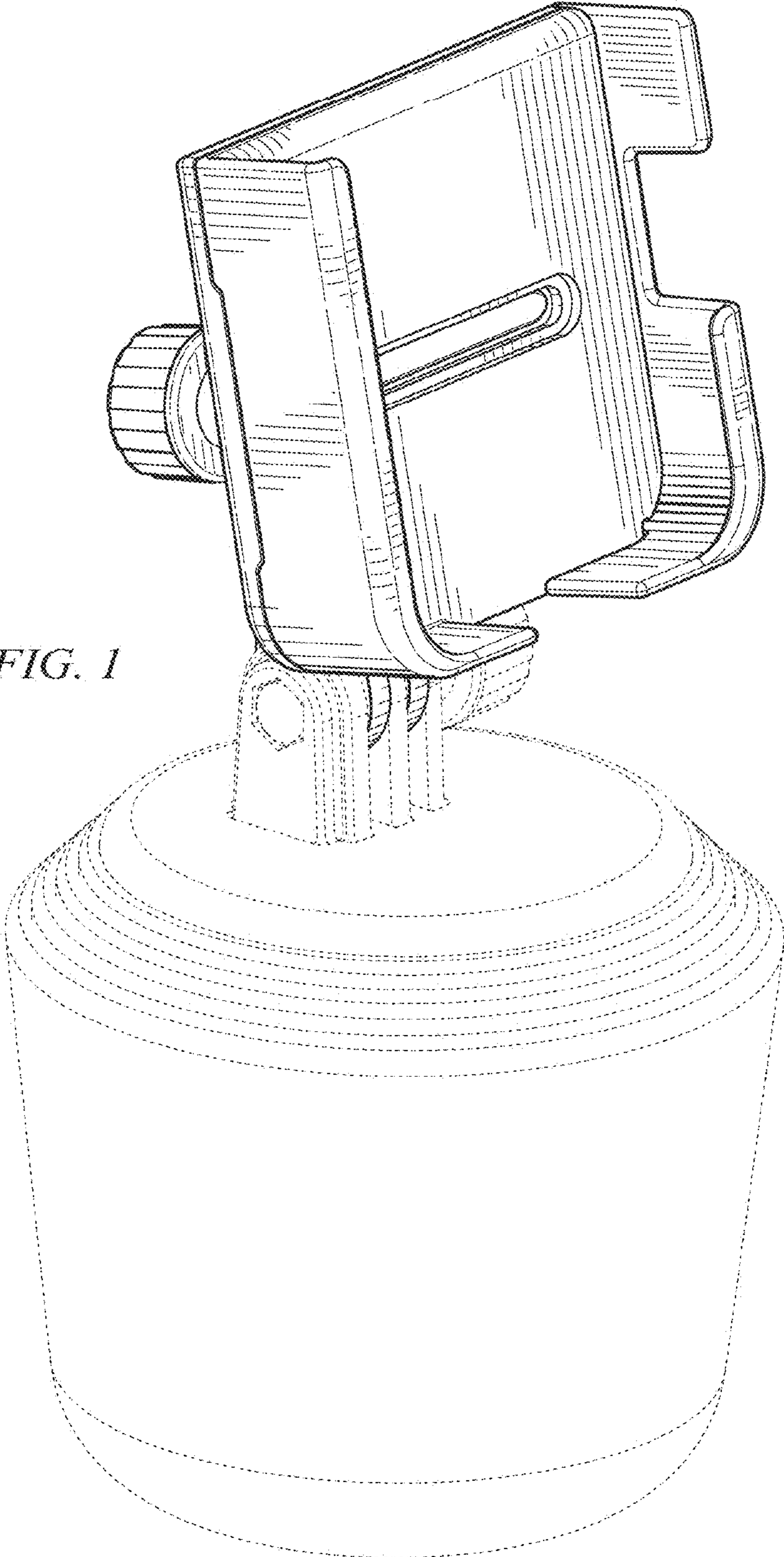


FIG. 1

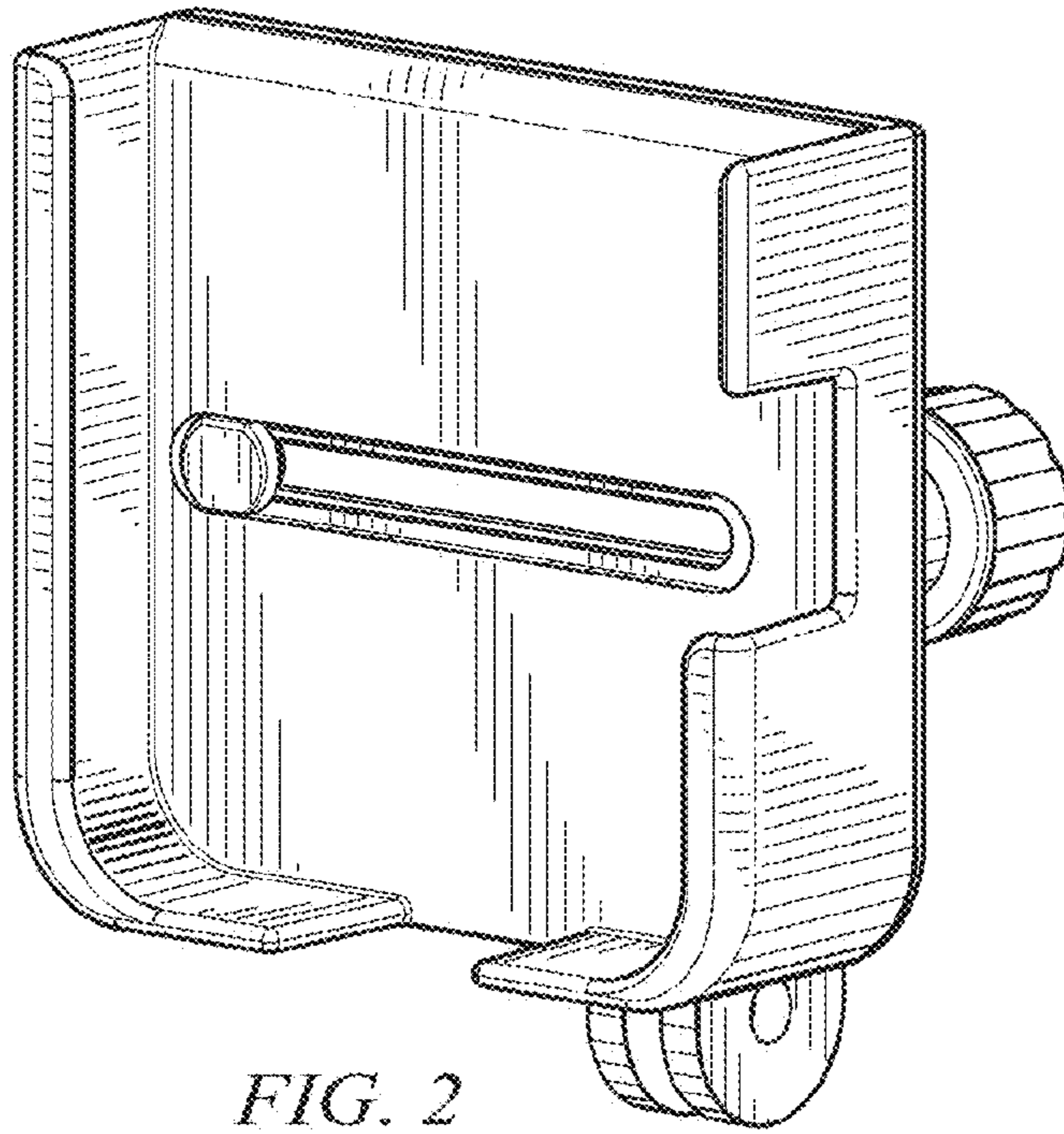


FIG. 2

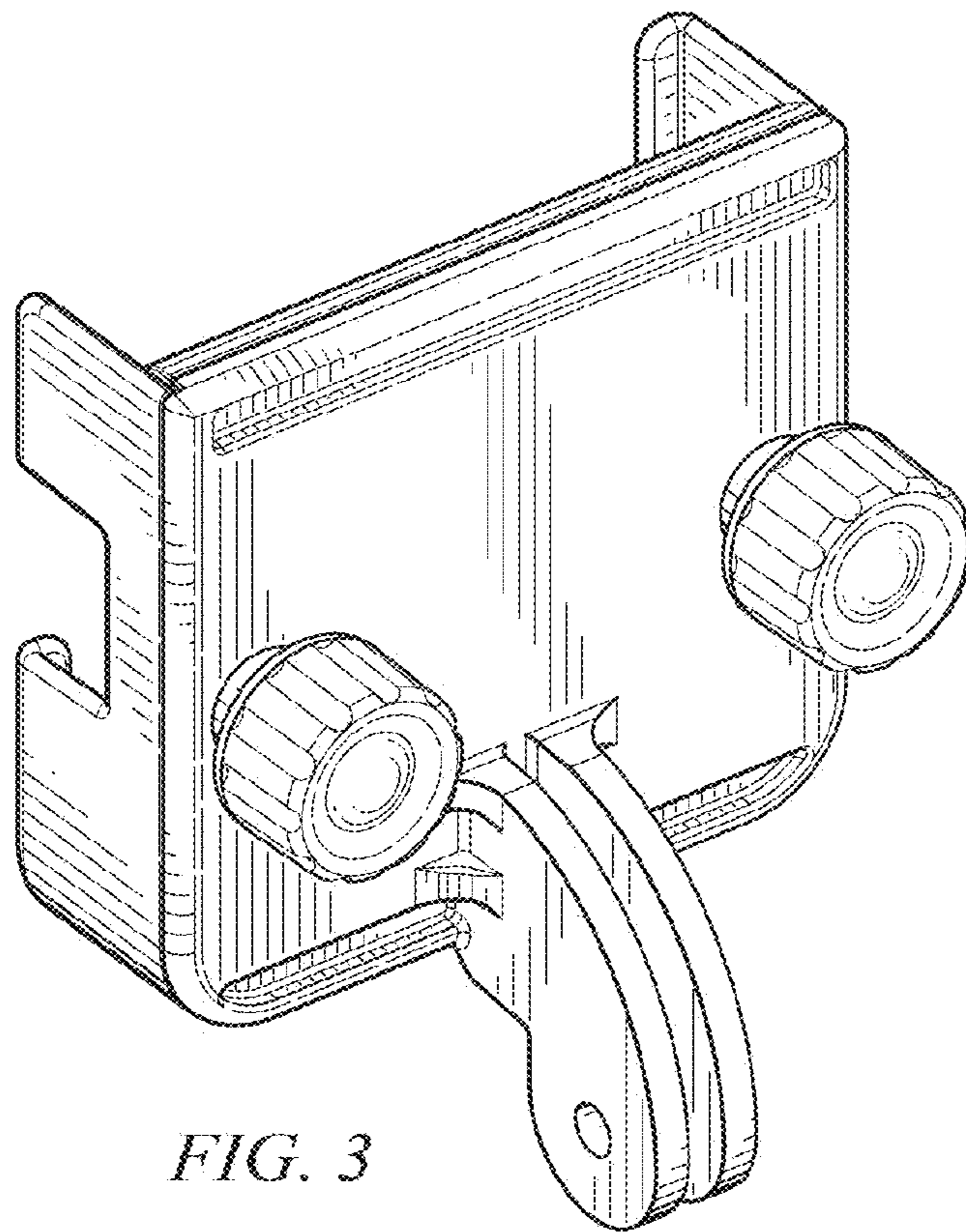


FIG. 3



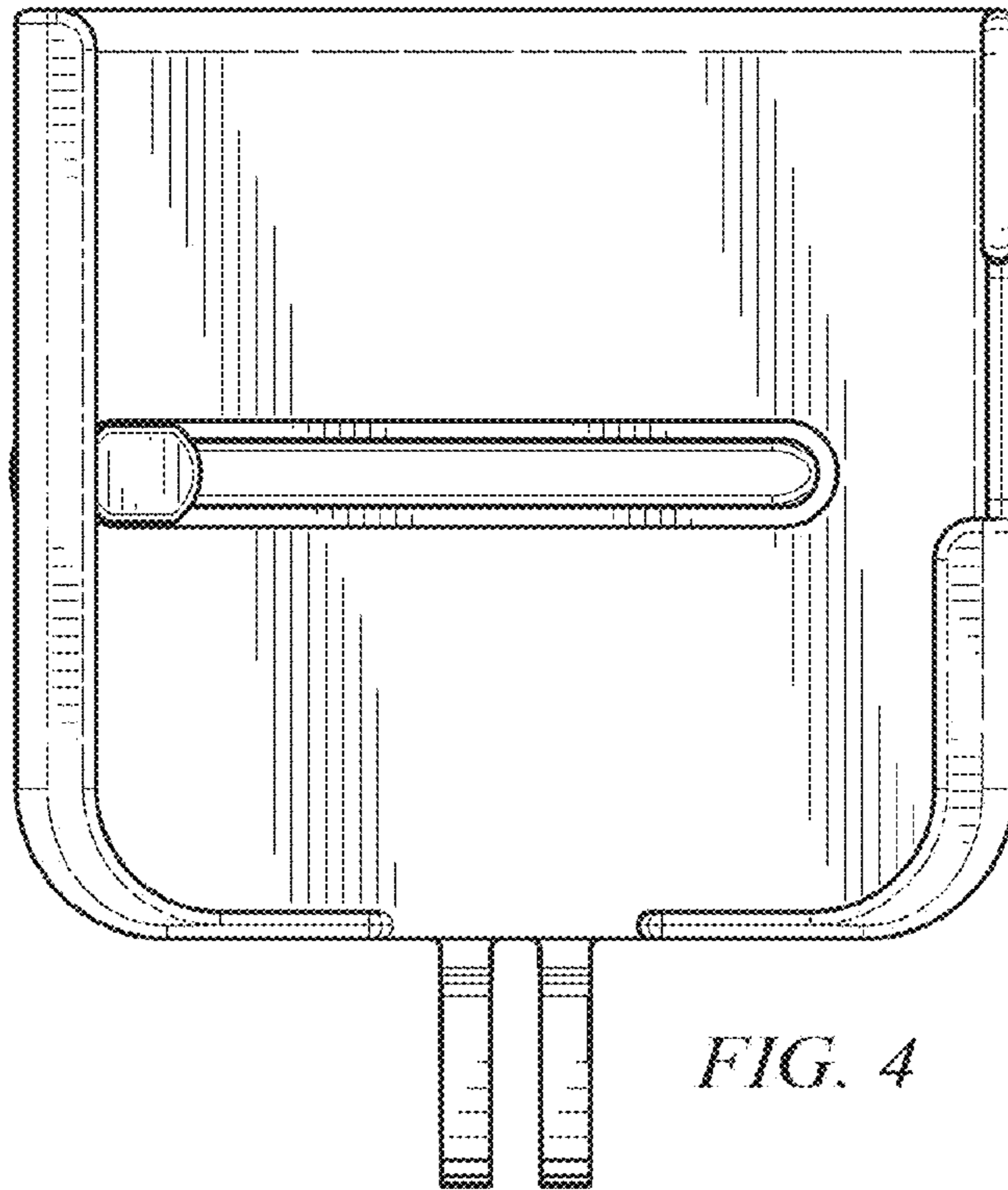


FIG. 4

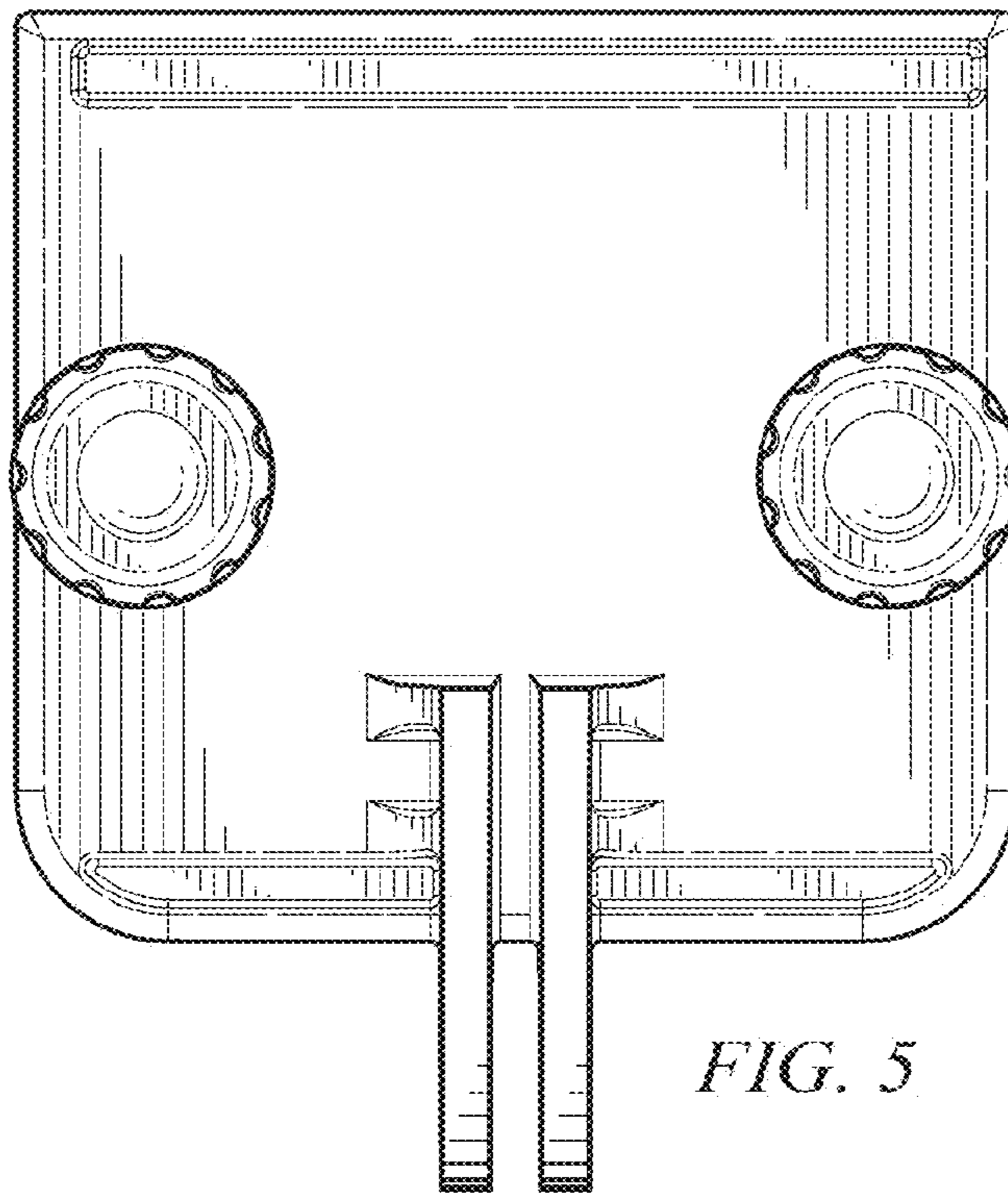


FIG. 5

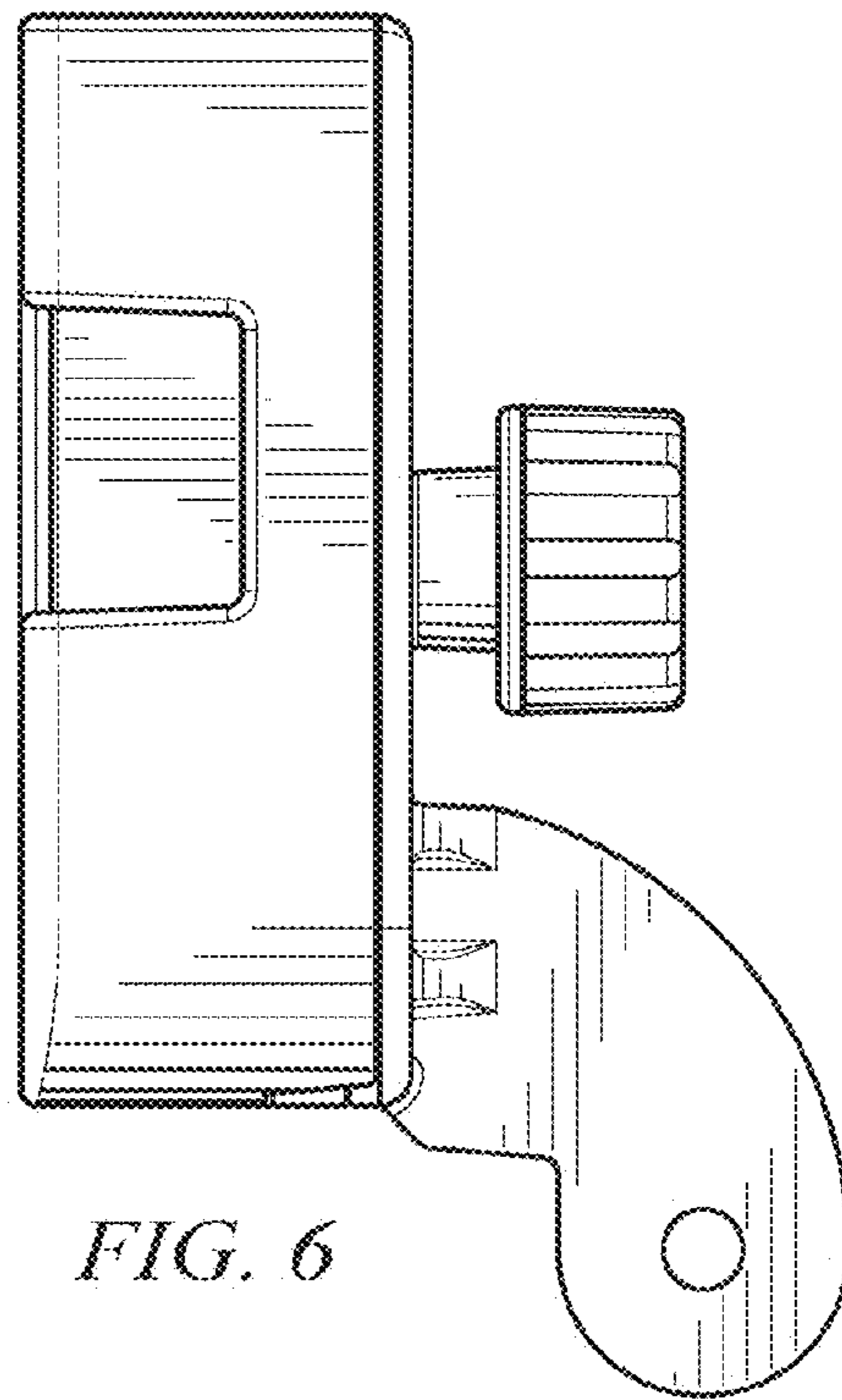


FIG. 6

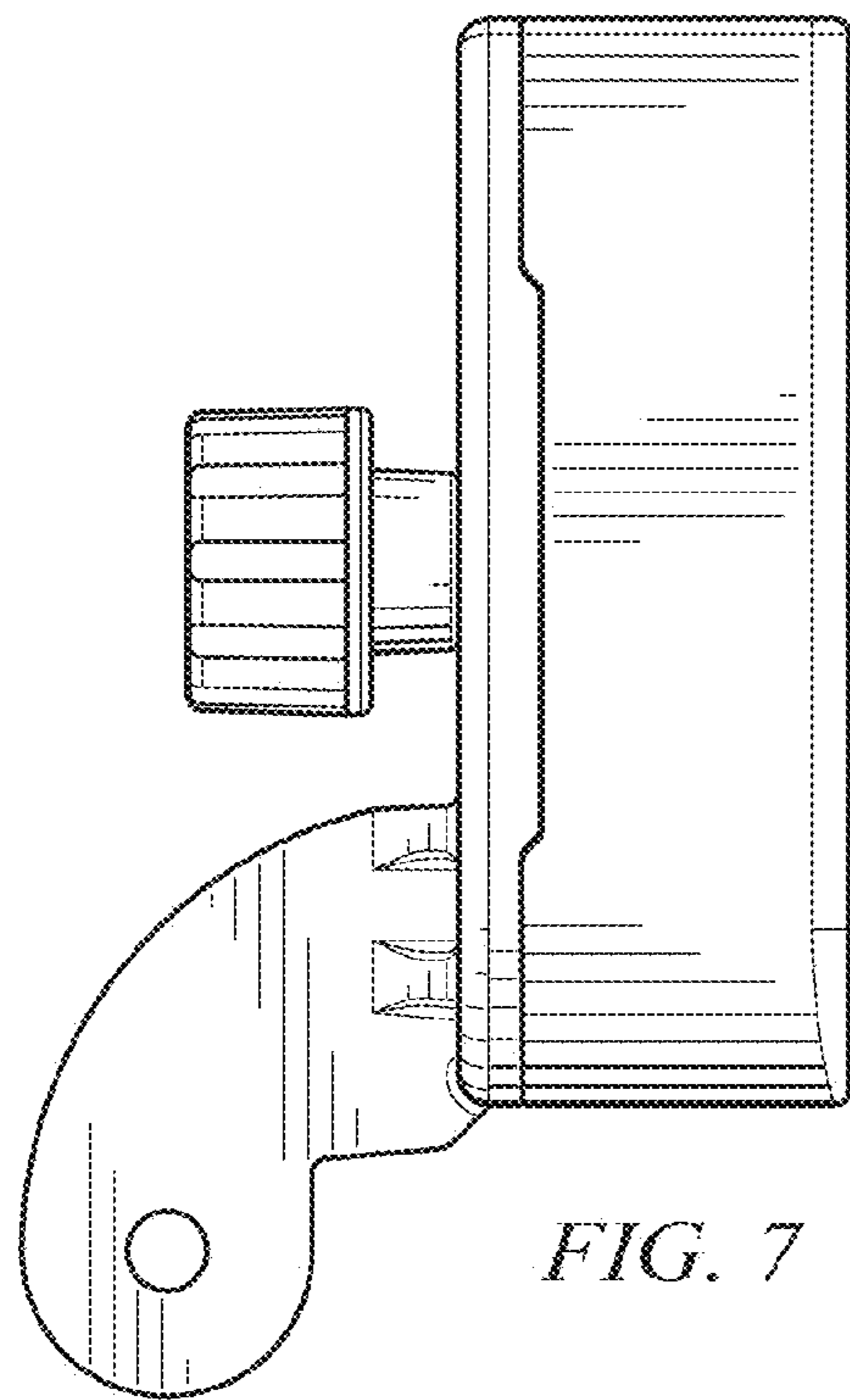


FIG. 7

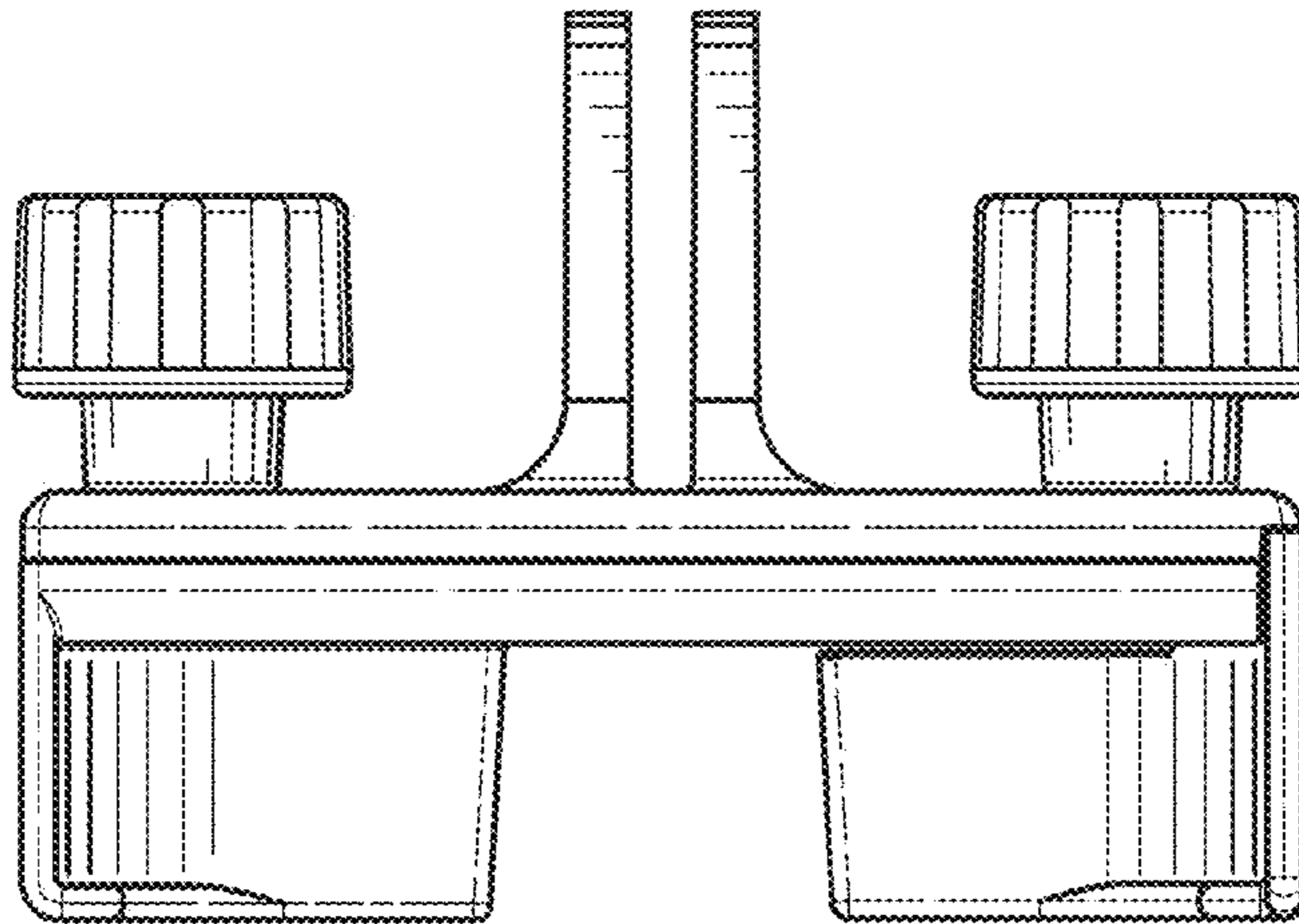


FIG. 8

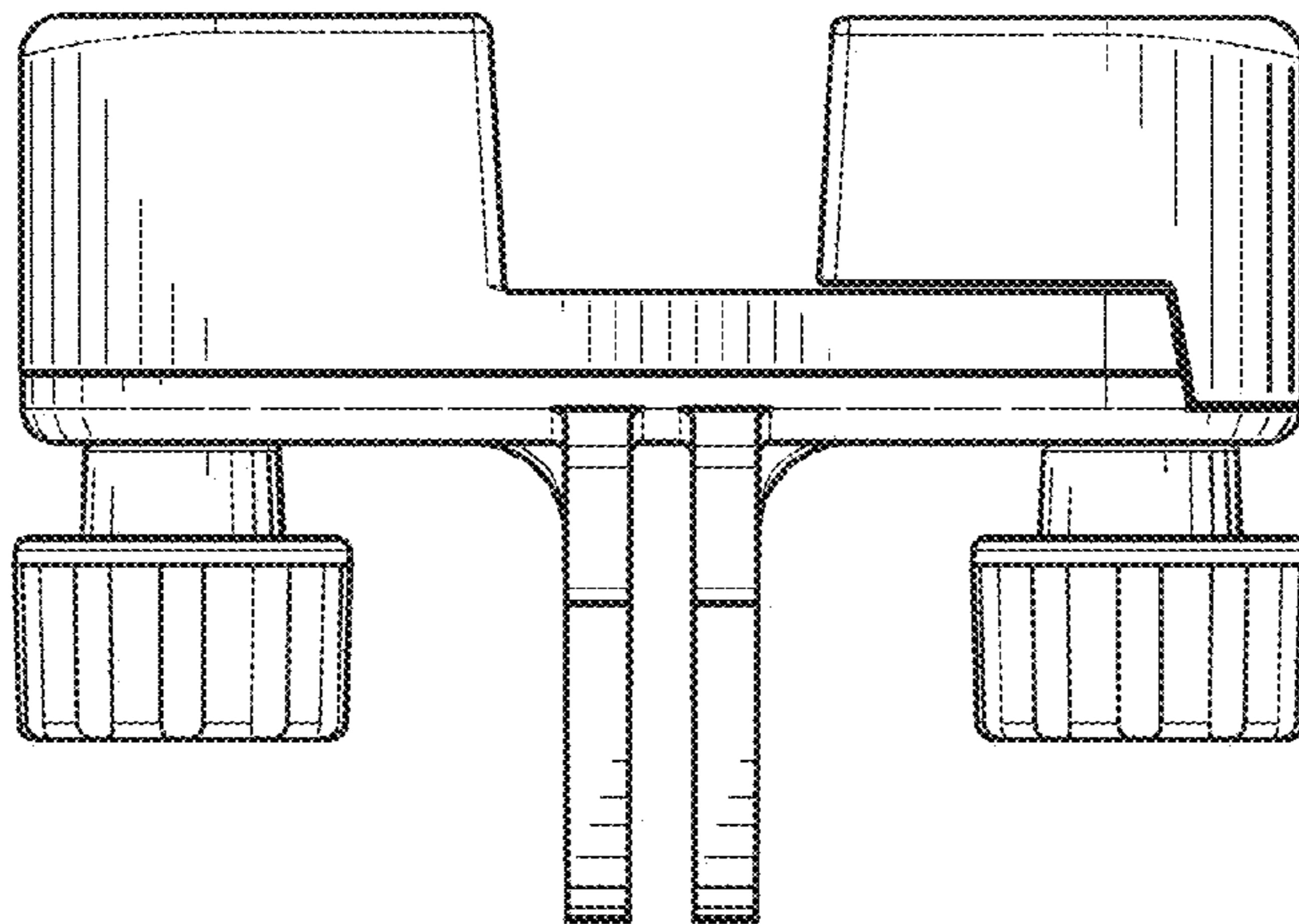


FIG. 9



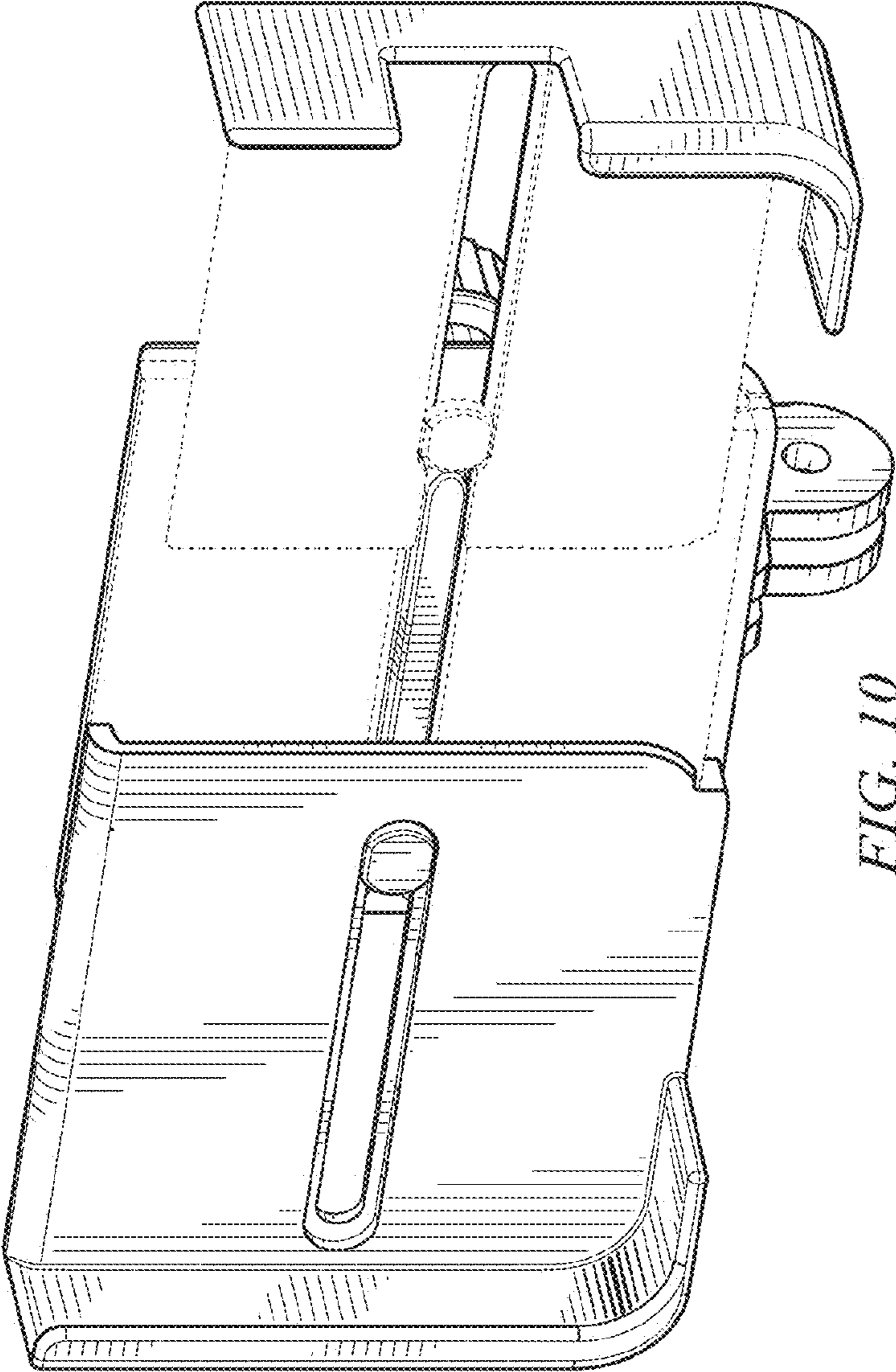


FIG. 10

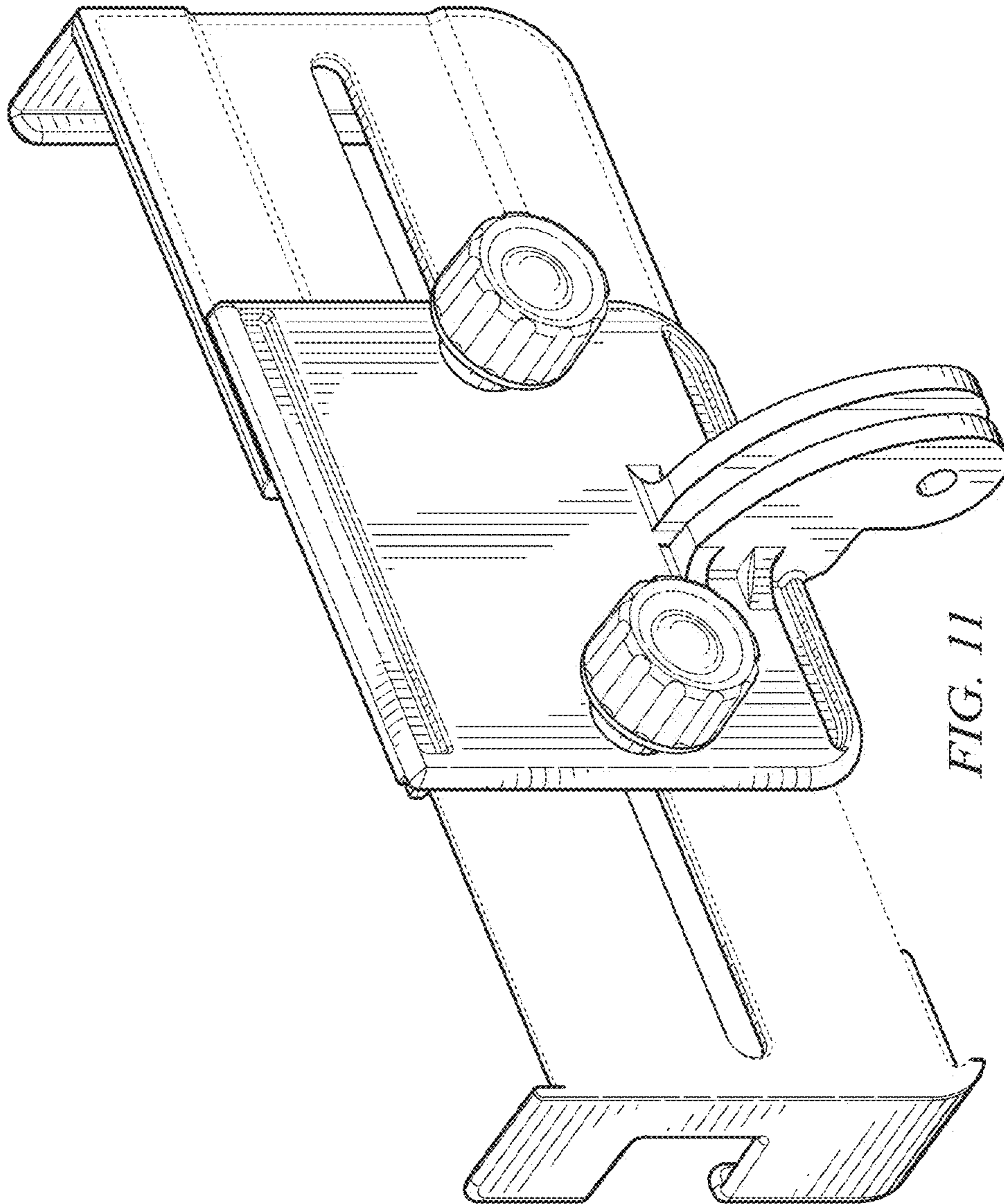


FIG. 11

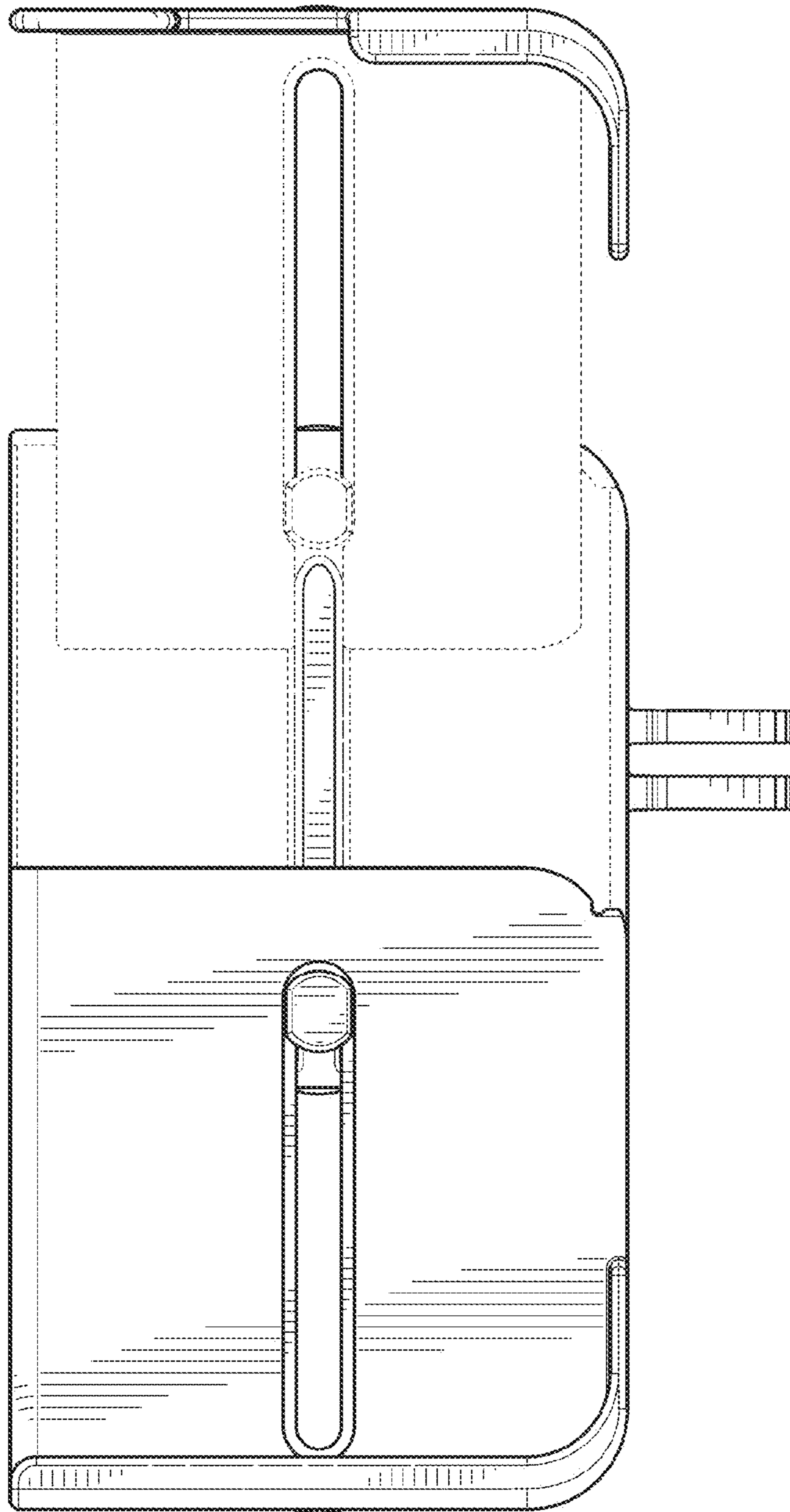


FIG. 12



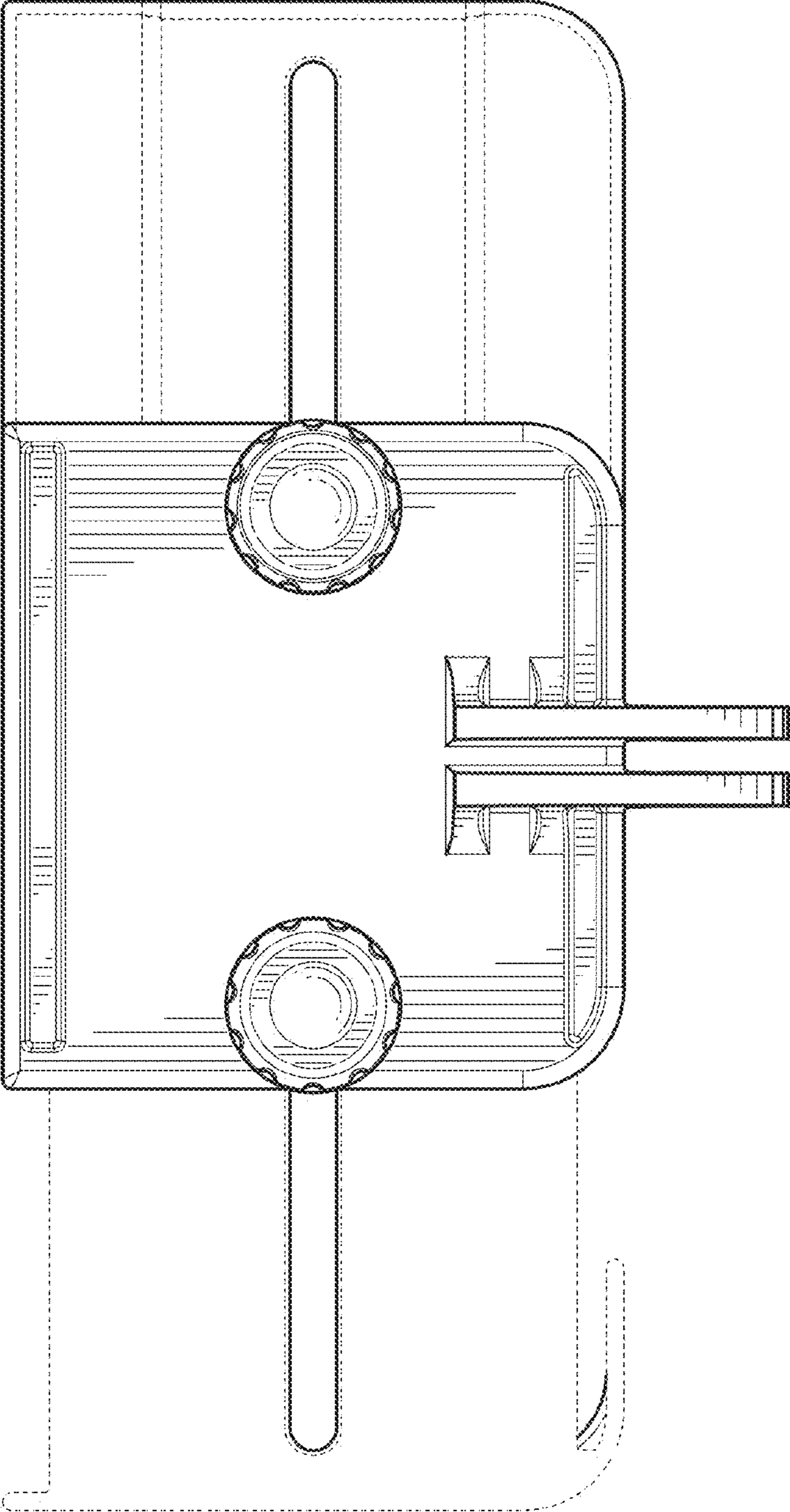


FIG. 13

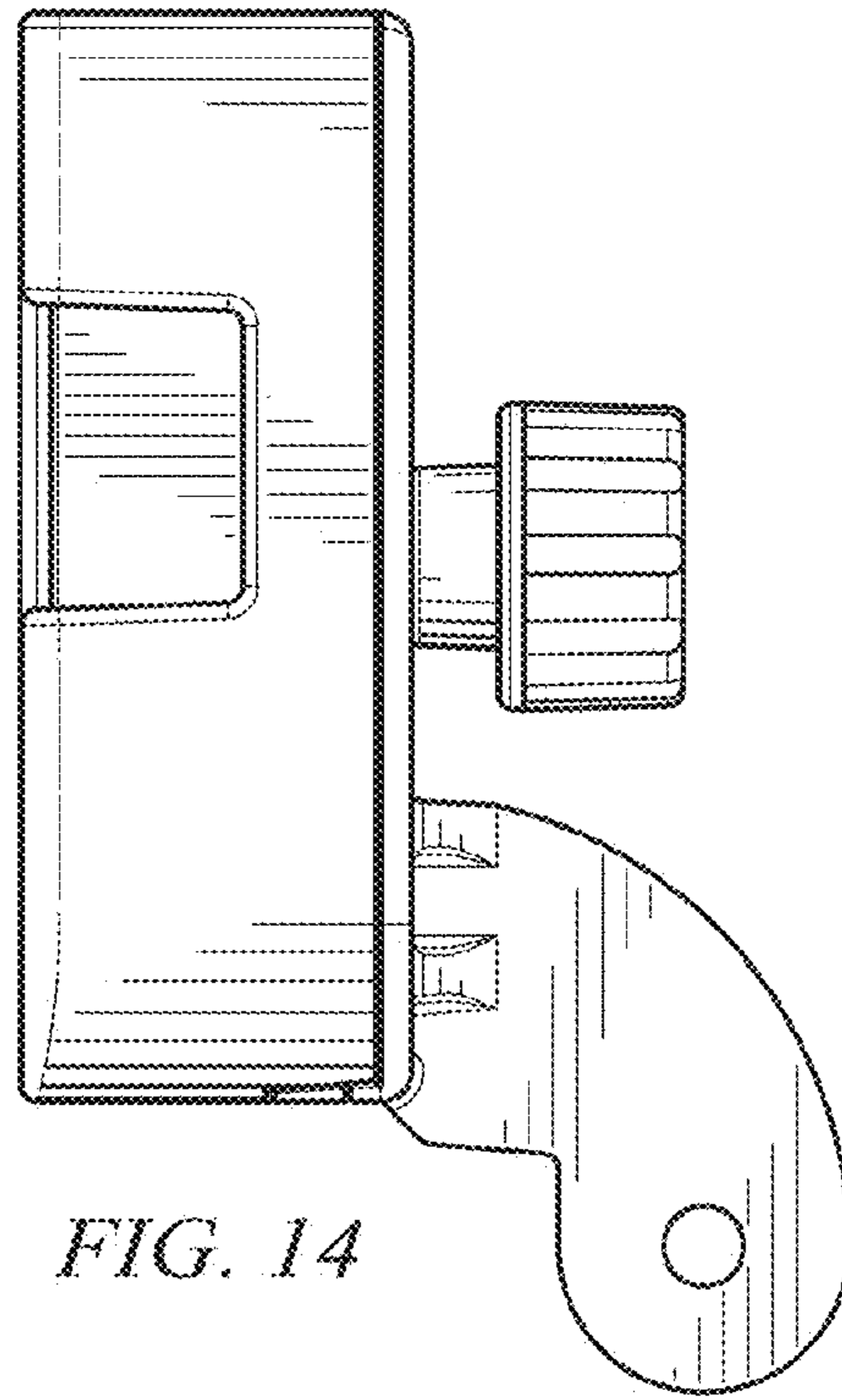


FIG. 14

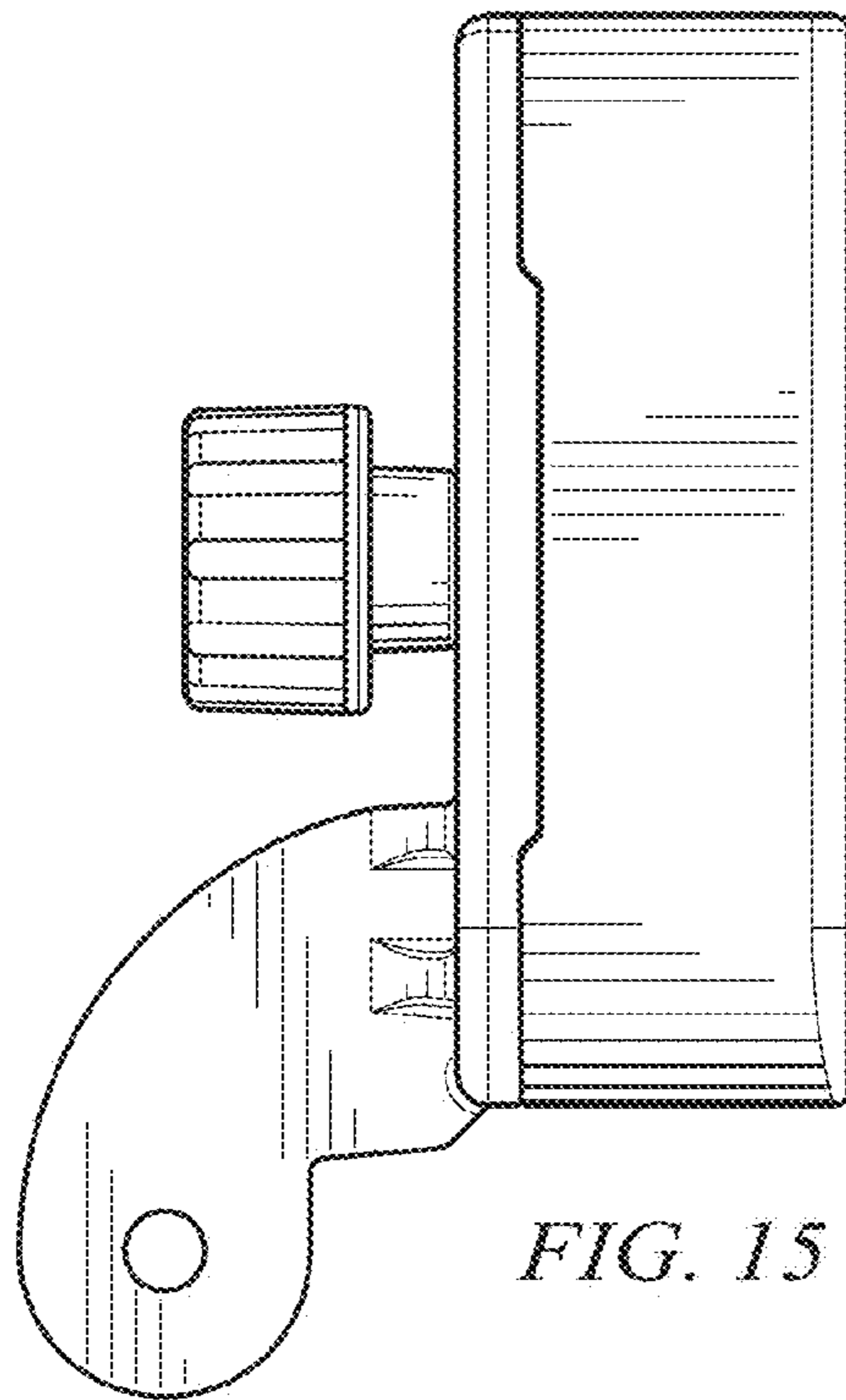


FIG. 15

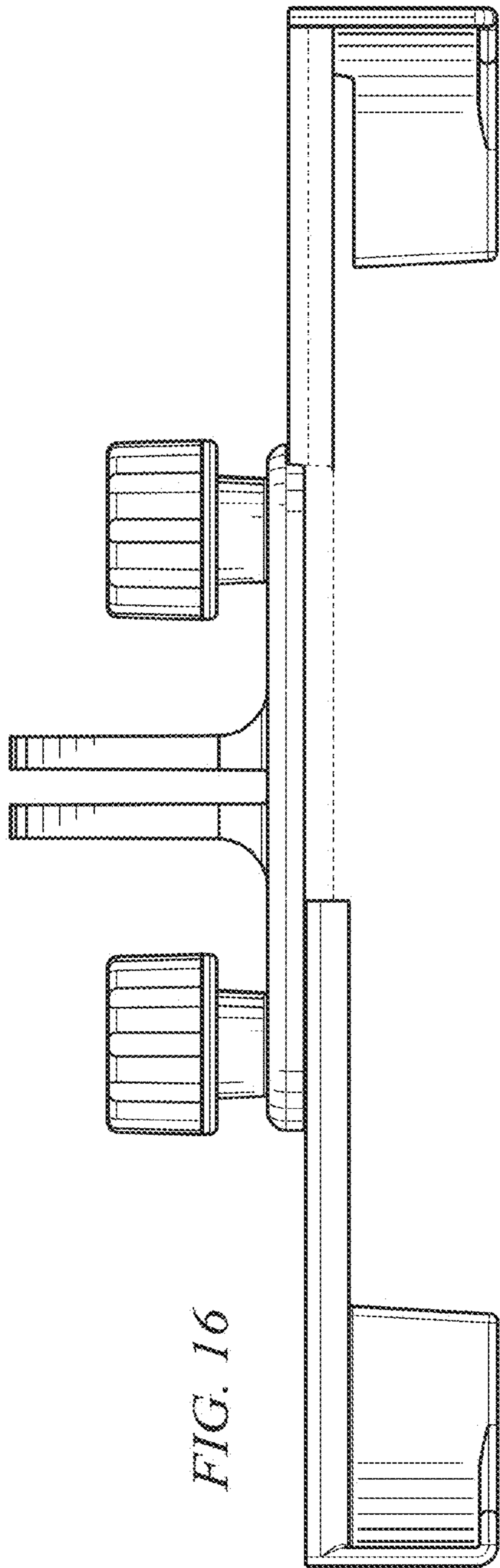


FIG. 16

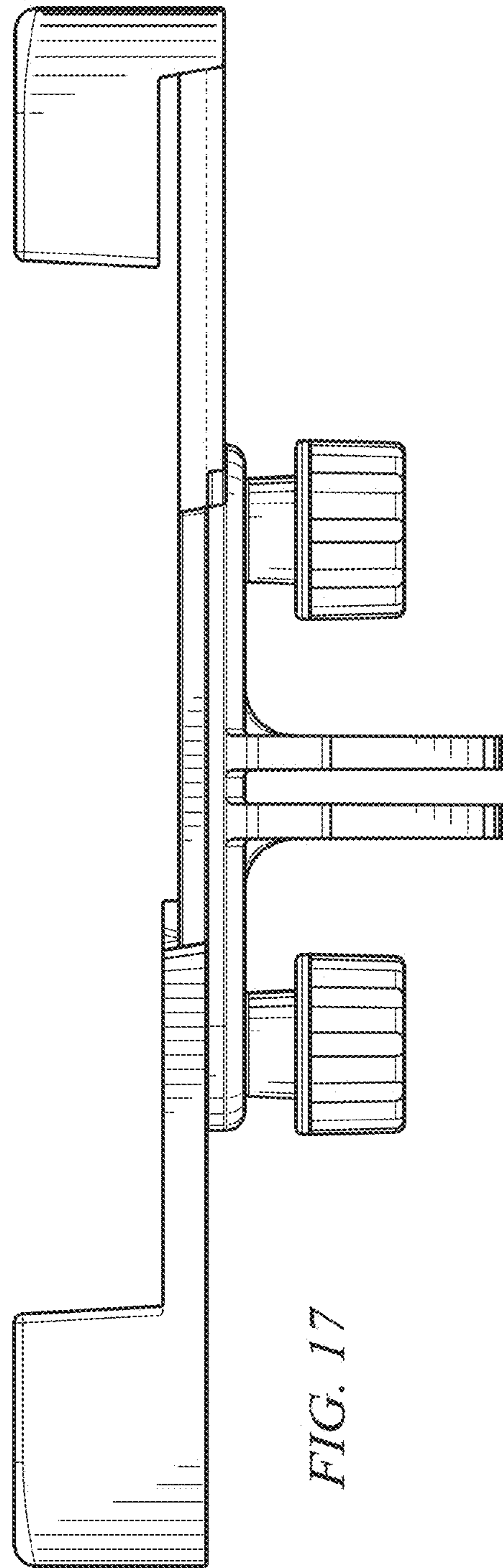


FIG. 17