



US00D934232S

(12) **United States Design Patent**
Francis

(10) **Patent No.:** **US D934,232 S**

(45) **Date of Patent:** **** Oct. 26, 2021**

(54) **PHONE MOUNT**

(71) Applicant: **BLACK & DECKER INC.**, New Britain, CT (US)

(72) Inventor: **Matthew C. Francis**, Baltimore, MD (US)

(73) Assignee: **BLACK & DECKER INC.**, New Britain, CT (US)

(**) Term: **15 Years**

(21) Appl. No.: **29/731,943**

(22) Filed: **Apr. 20, 2020**

(51) **LOC (13) Cl.** **14-99**

(52) **U.S. Cl.**
USPC **D14/253**; D12/415

(58) **Field of Classification Search**
USPC D14/251–253, 224, 224.1, 432–434, 447, D14/451, 452; D12/415, 426.1, 114, 223; D16/242, 244, 245; D10/74; D3/218; D13/108

CPC B60R 11/00; B60R 11/02; B60R 11/0241; B60R 11/0252; B60R 2011/0003; B60R 2011/0005; B60R 2011/0008; H04M 1/04; H04B 1/3877; A45F 2200/0516; A45F 2200/0525; H05K 5/02; H05K 5/0204; H05K 7/00; F16M 13/02; F16M 13/022; F16M 11/00; F16M 11/04; F16M 11/041; F16M 11/06

See application file for complete search history.

(56) **References Cited**

U.S. PATENT DOCUMENTS

D718,612 S * 12/2014 McSweyn D8/363
D769,234 S * 10/2016 Rami D14/253
D778,714 S * 2/2017 McSweyn D8/373
D783,593 S * 4/2017 Chen D14/253

D792,415 S * 7/2017 Tsai D14/447
D792,416 S * 7/2017 Tsai D14/447
D823,847 S * 7/2018 Lebovitz D14/253
D825,548 S * 8/2018 Lebovitz D14/253
D831,661 S * 10/2018 Yao D14/447
D849,012 S * 5/2019 Yao D14/447
D877,741 S * 3/2020 Leeds-Frank D14/447

(Continued)

FOREIGN PATENT DOCUMENTS

CN 305092934 * 4/2019
CN 305131573 * 4/2019

(Continued)

OTHER PUBLICATIONS

Trianium Magnetic Dash Car Mount Phone Holder . . . [online]. Date first available Mar. 28, 2018. [Retrieved from the Internet Jun. 9, 2021.] <URL: <https://www.amazon.com/Trianium-Magnetic-Dashboard-Adhesive-Bendable/dp/B07BS4S89H/>>.*

(Continued)

Primary Examiner — Rebekah A Caruso

(74) *Attorney, Agent, or Firm* — Adan Ayala

(57) **CLAIM**

The ornamental design for a phone mount, as shown and described.

DESCRIPTION

FIG. 1 is a front perspective view of a phone mount according to the invention.

FIG. 2 is a front view of the phone mount of FIG. 1.

FIG. 3 is a rear view of the phone mount of FIG. 1.

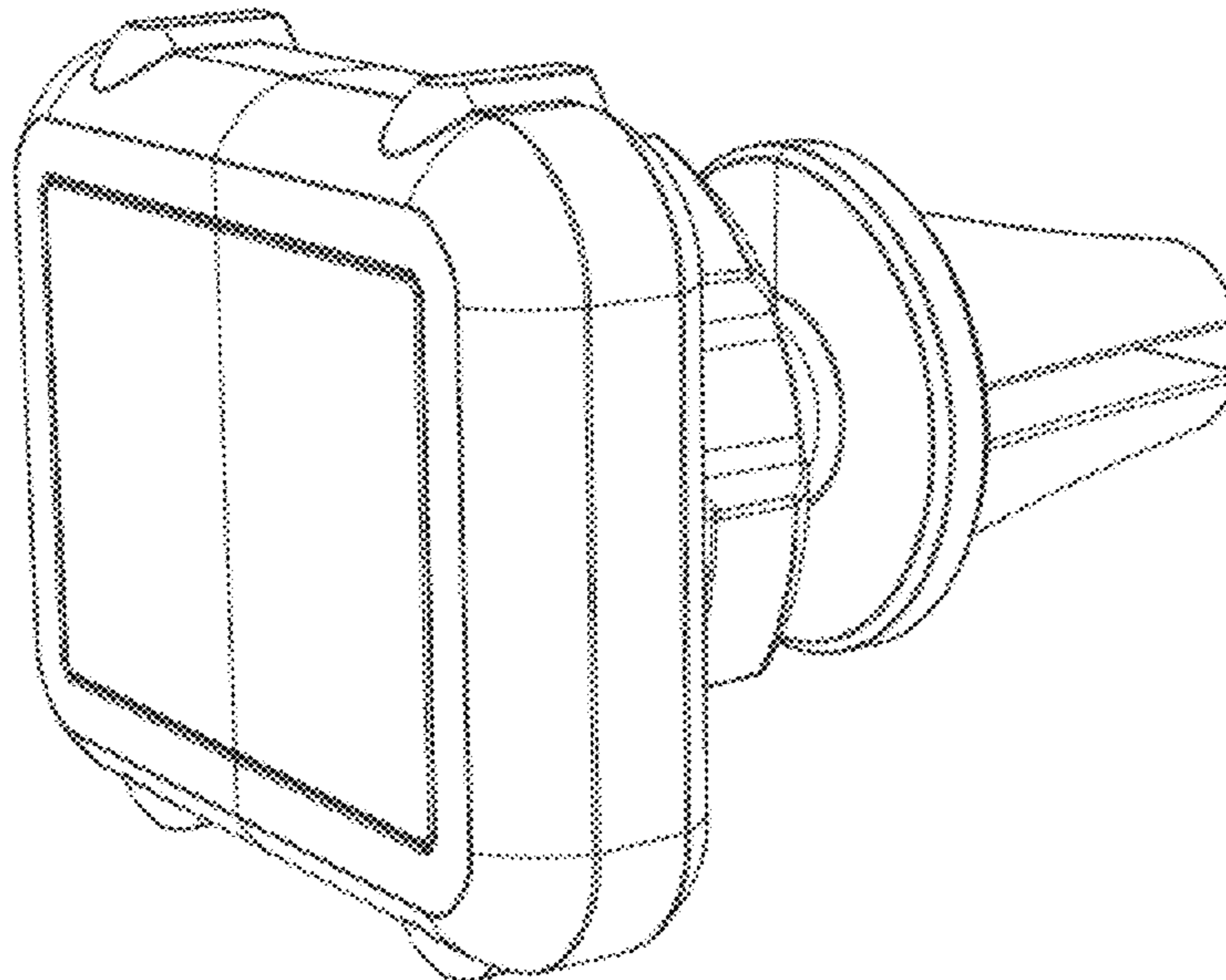
FIG. 4 is a right side view of the phone mount of FIG. 1.

FIG. 5 is a left side view of the phone mount of FIG. 1.

FIG. 6 is a top plan view of the phone mount of FIG. 1; and,

FIG. 7 is a bottom plan view of the phone mount of FIG. 1.

1 Claim, 6 Drawing Sheets



(56)

References Cited

U.S. PATENT DOCUMENTS

D894,891 S * 9/2020 Zhang D14/253
D920,888 S * 6/2021 Miao D12/415

FOREIGN PATENT DOCUMENTS

CN 305366993 * 9/2019
KR 301023269.0000 * 9/2019

OTHER PUBLICATIONS

Rectangular Head Universal Air Vent Mount . . . [online]. Original
publication date unknown. [Retrieved from the Internet Jun. 9,
2021.] <URL: [https://www.aliexpress.com/item/32903382402.
html](https://www.aliexpress.com/item/32903382402.html) >.*

* cited by examiner

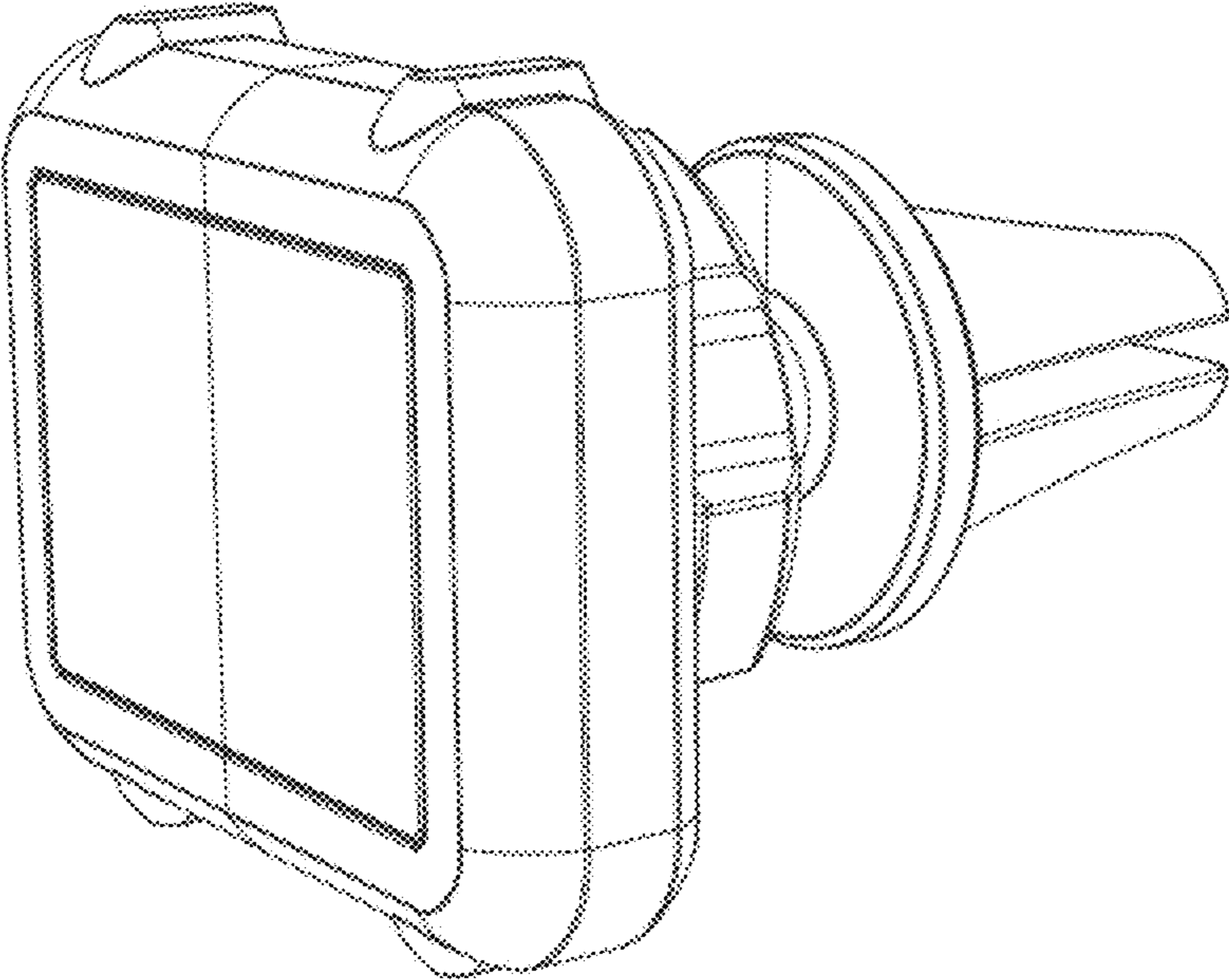


FIG. 1

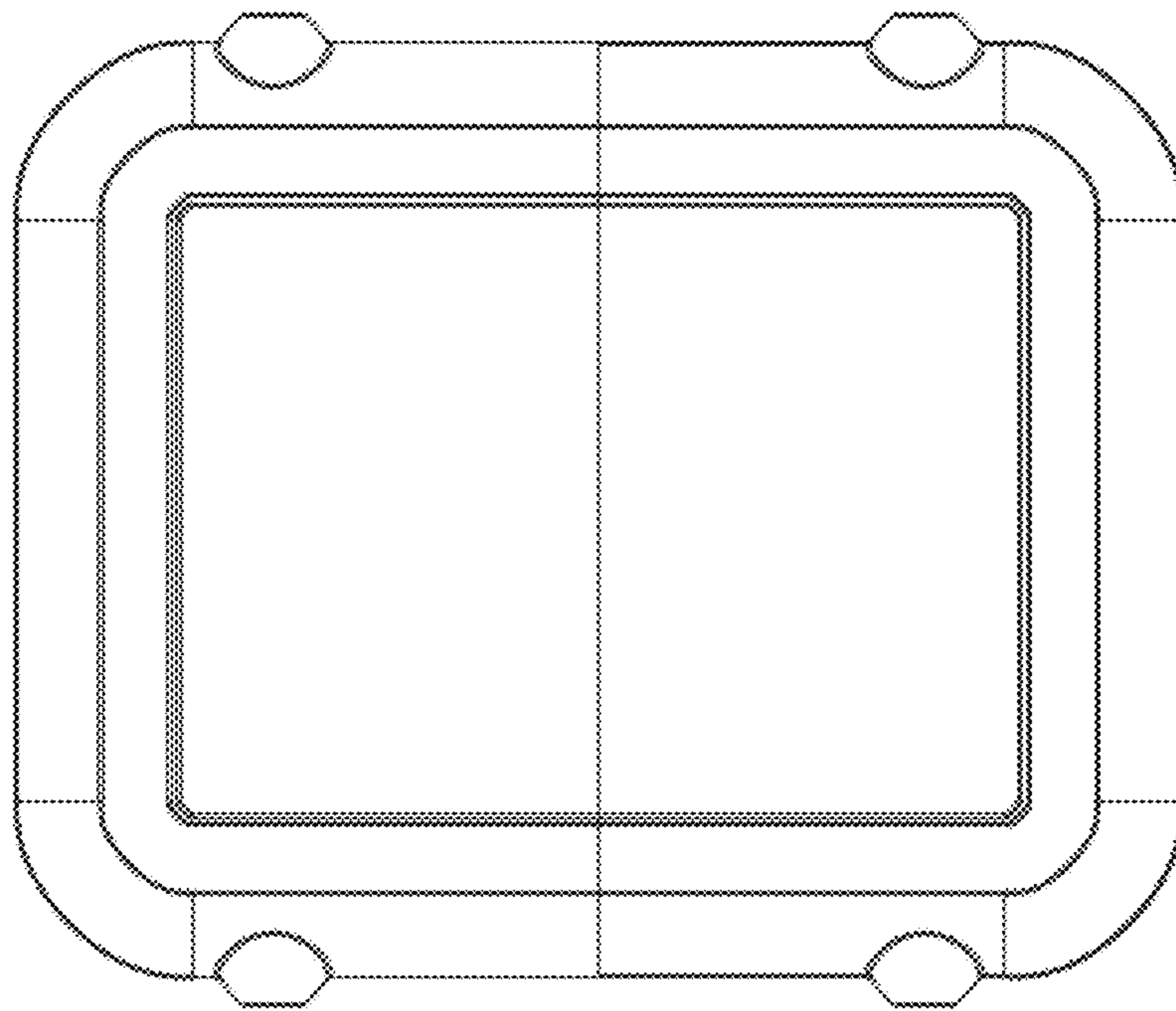


FIG. 2

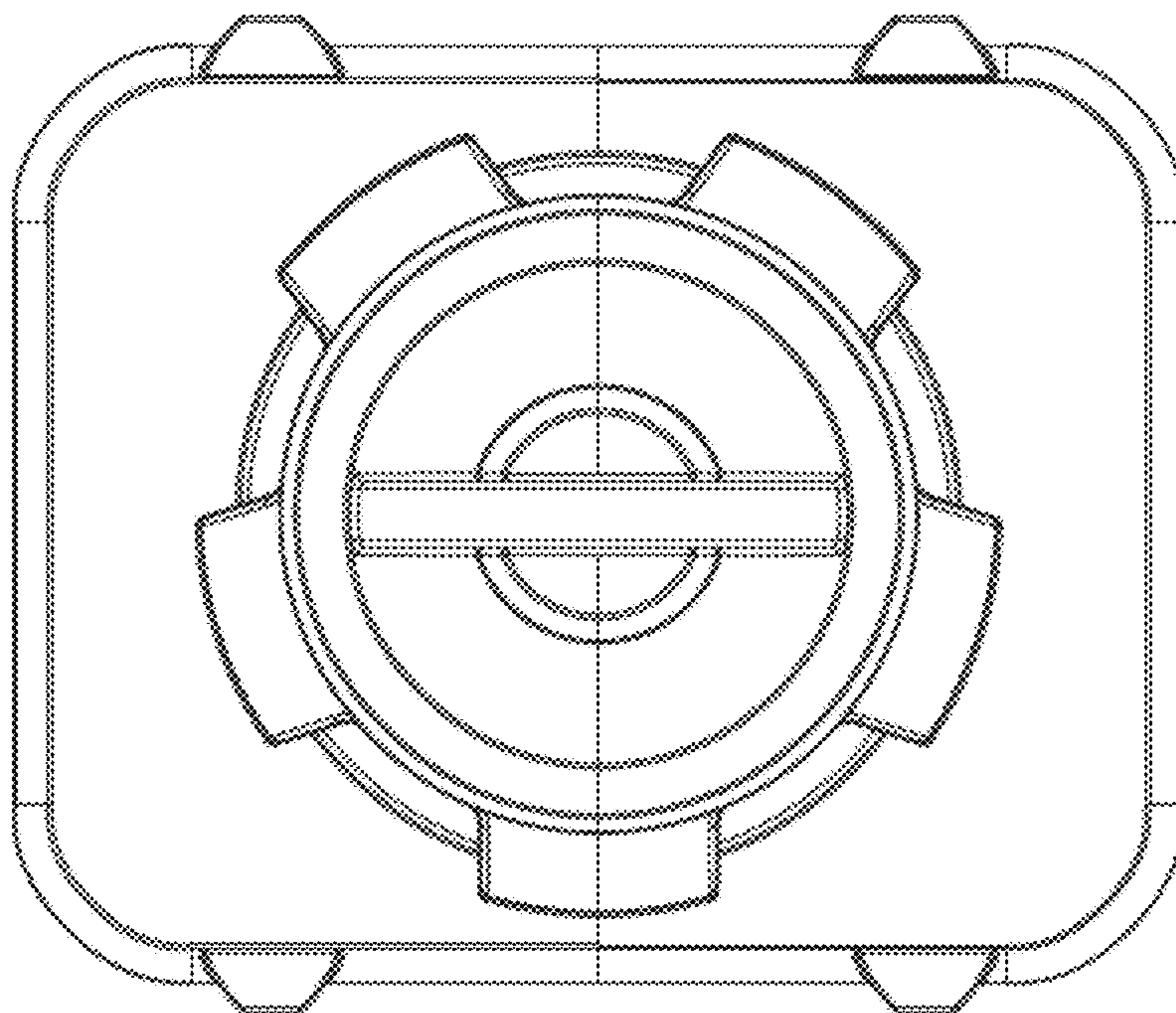


FIG. 3

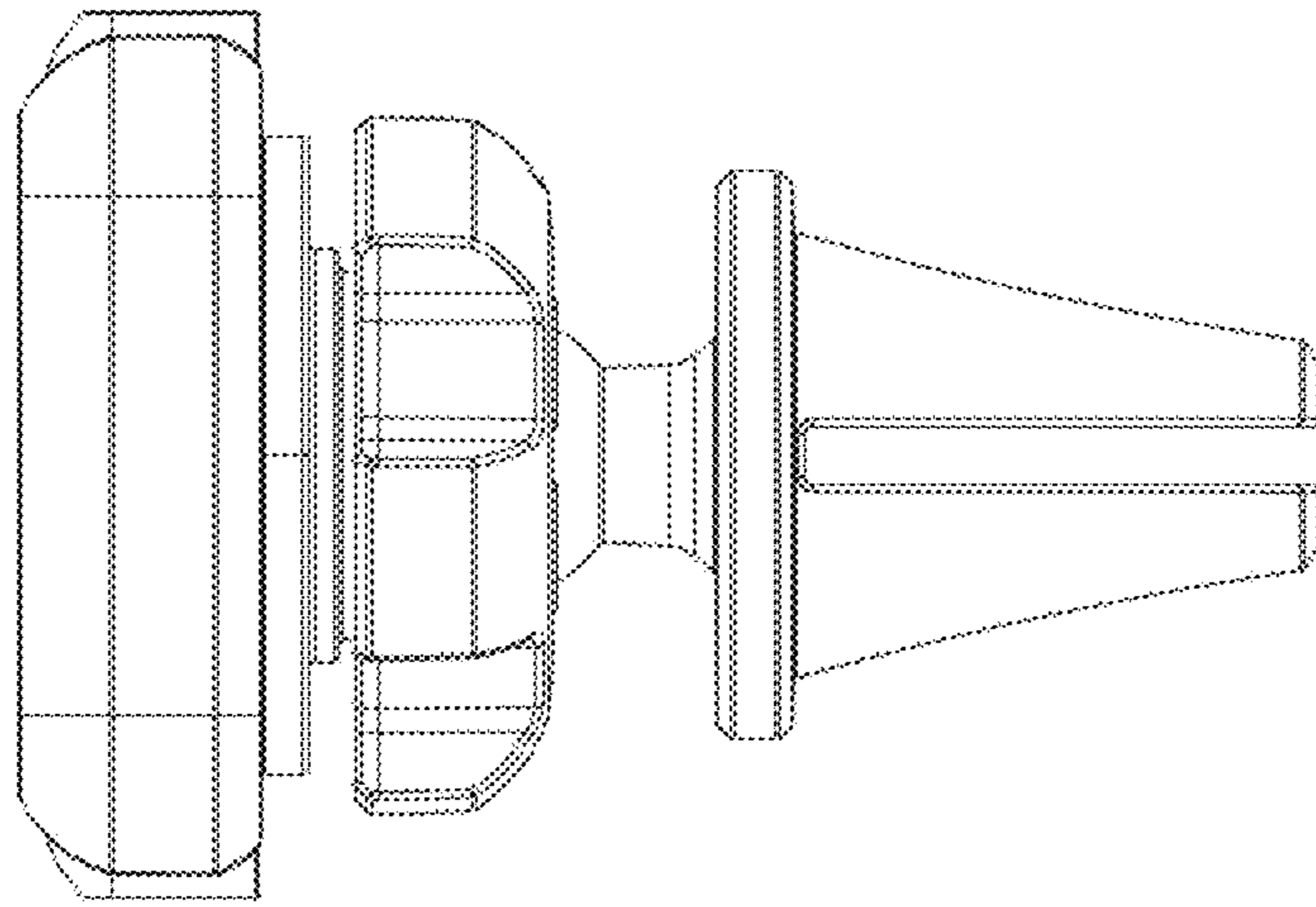


FIG. 4

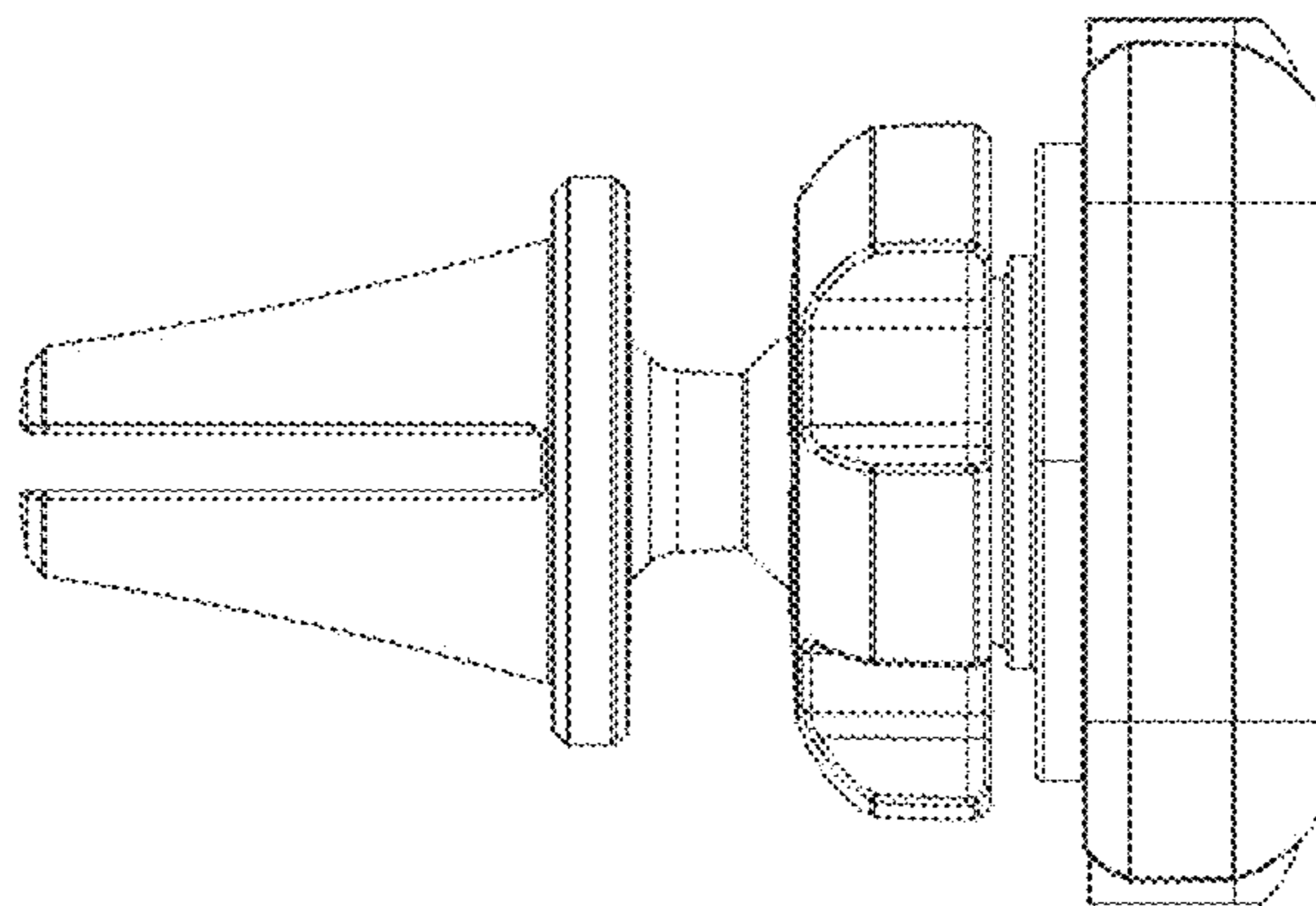


FIG. 5

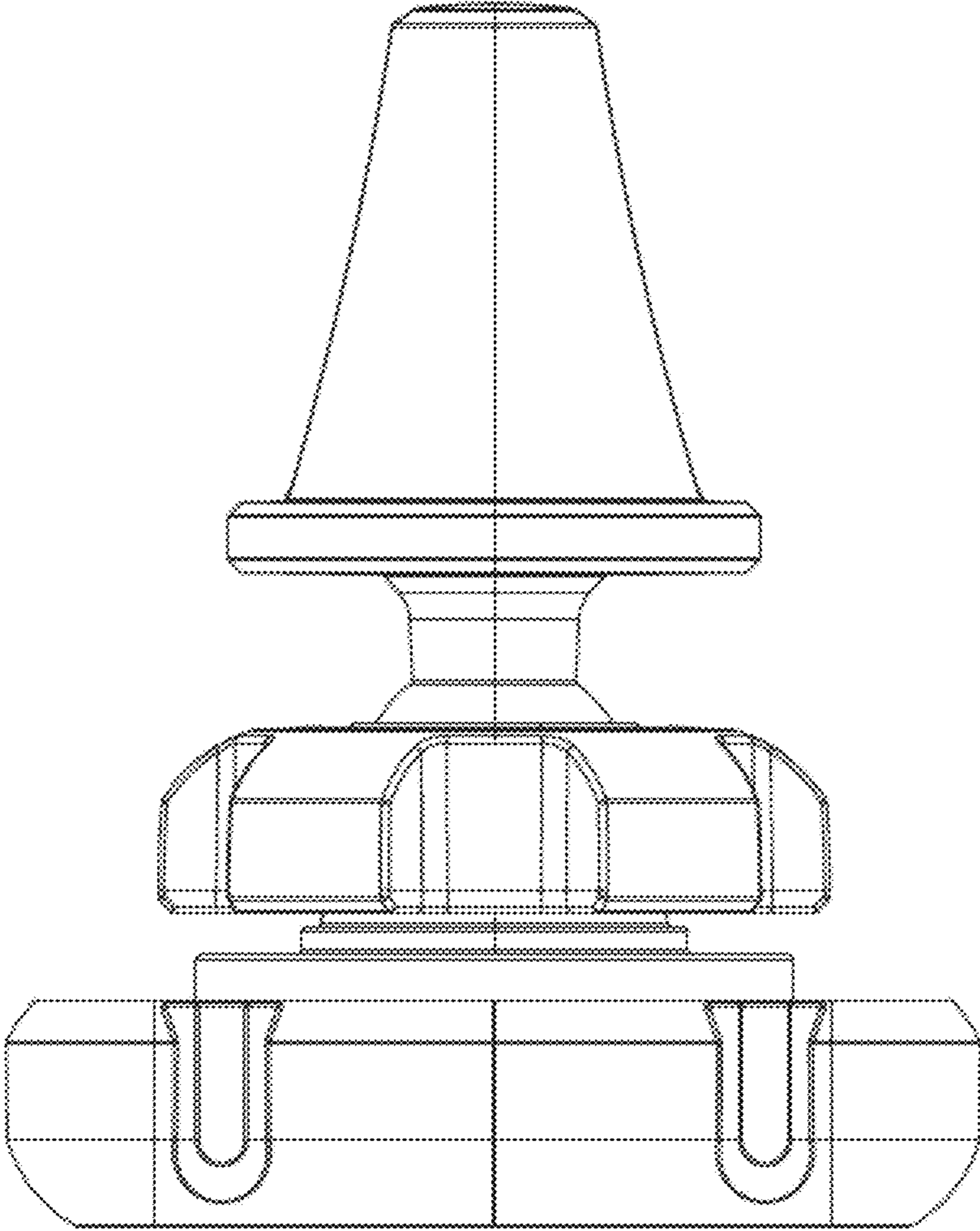


FIG. 6

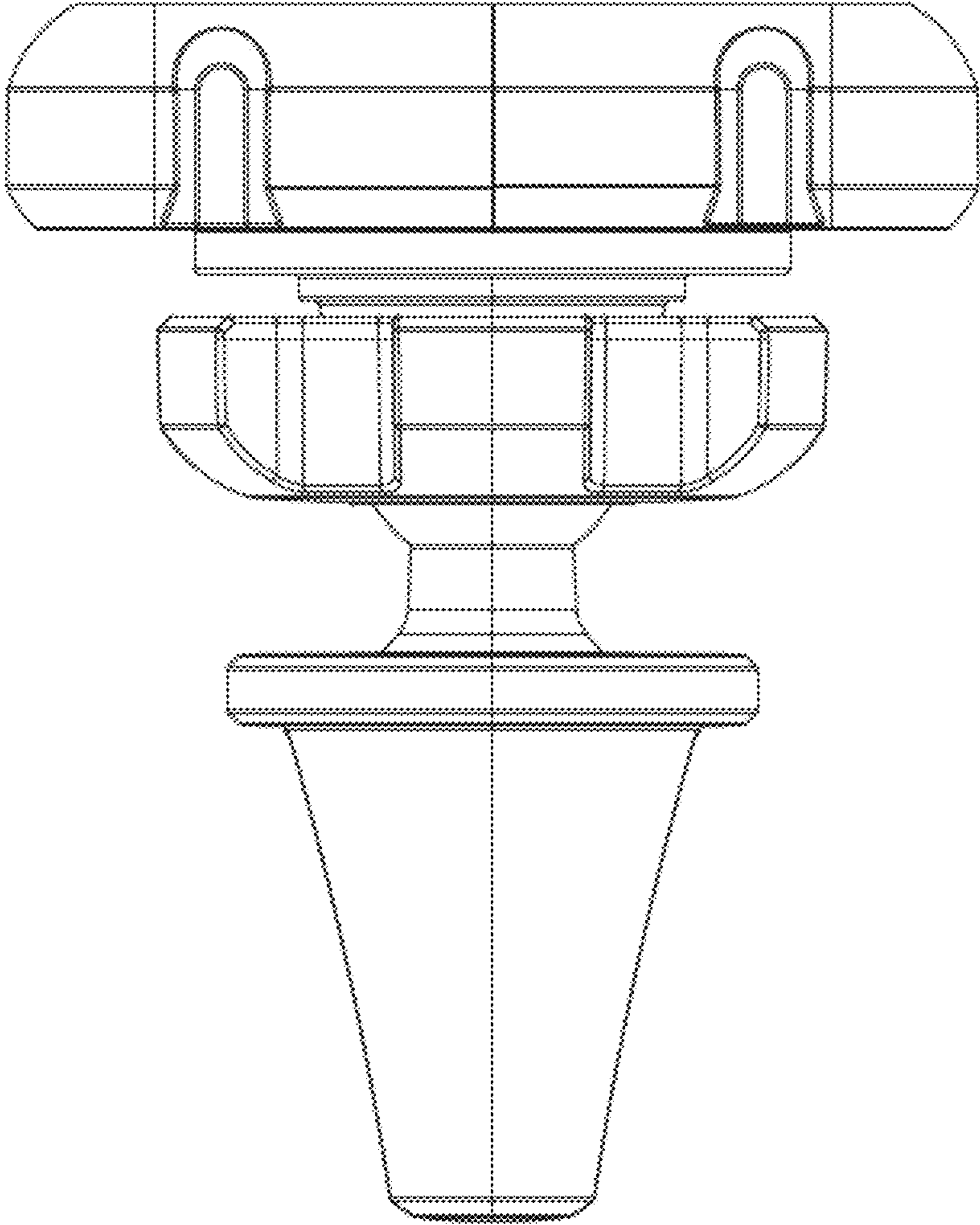


FIG. 7