

US00D934231S

(12) **United States Design Patent** (10) **Patent No.:** **US D934,231 S**
Liao (45) **Date of Patent:** **** Oct. 26, 2021**

(54) **MOBILE PHONE STAND**

D819,015 S * 5/2018 Lee D14/253
D832,248 S * 10/2018 Sukphist D14/253
D833,369 S * 11/2018 Lan D12/415

(71) Applicant: **DONGGUAN CHUANG LONG ELECTRONICS LIMITED,**
Dongguan (CN)

(Continued)

FOREIGN PATENT DOCUMENTS

(72) Inventor: **Anzhang Liao,** Dongguan (CN)

EM 007788732-0002 * 4/2020
JP D1637104 * 7/2019

(73) Assignee: **DONGGUAN CHUANG LONG ELECTRONICS LIMITED,**
Dongguan (CN)

(Continued)

OTHER PUBLICATIONS

(**) Term: **15 Years**

Amazon hot selling Dashboard Cellphone Holder . . . [online].
Original publication date unknown. [Retrieved from the Internet
May 17, 2021.] <URL: [https://www.alibaba.com/product-detail/
Amazon-hot-selling-Dashboard-Cellphone-Holder_1600149520442.
html](https://www.alibaba.com/product-detail/Amazon-hot-selling-Dashboard-Cellphone-Holder_1600149520442.html)>.*

(21) Appl. No.: **29/730,464**

(22) Filed: **Apr. 3, 2020**

Primary Examiner — Rebekah A Caruso

(51) **LOC (13) Cl.** **14-99**

(52) **U.S. Cl.**

USPC **D14/253;** D12/415

(58) **Field of Classification Search**

USPC D14/251–253, 224, 224.1, 432–434, 447,
D14/451, 452; D12/415, 426.1, 114, 223;
D16/242, 244, 245; D10/74; D3/218;
D13/108

CPC B60R 11/00; B60R 11/02; B60R 11/0241;
B60R 11/0252; B60R 2011/0003; B60R
2011/0005; B60R 2011/0008; H04M
1/04; H04B 1/3877; A45F 2200/0516;
A45F 2200/0525; H05K 5/02; H05K
5/0204; H05K 7/00; F16M 13/02; F16M
13/022; F16M 11/00; F16M 11/04; F16M
11/041; F16M 11/06

See application file for complete search history.

(57) **CLAIM**

The ornamental design for a mobile phone stand, as shown
and described.

DESCRIPTION

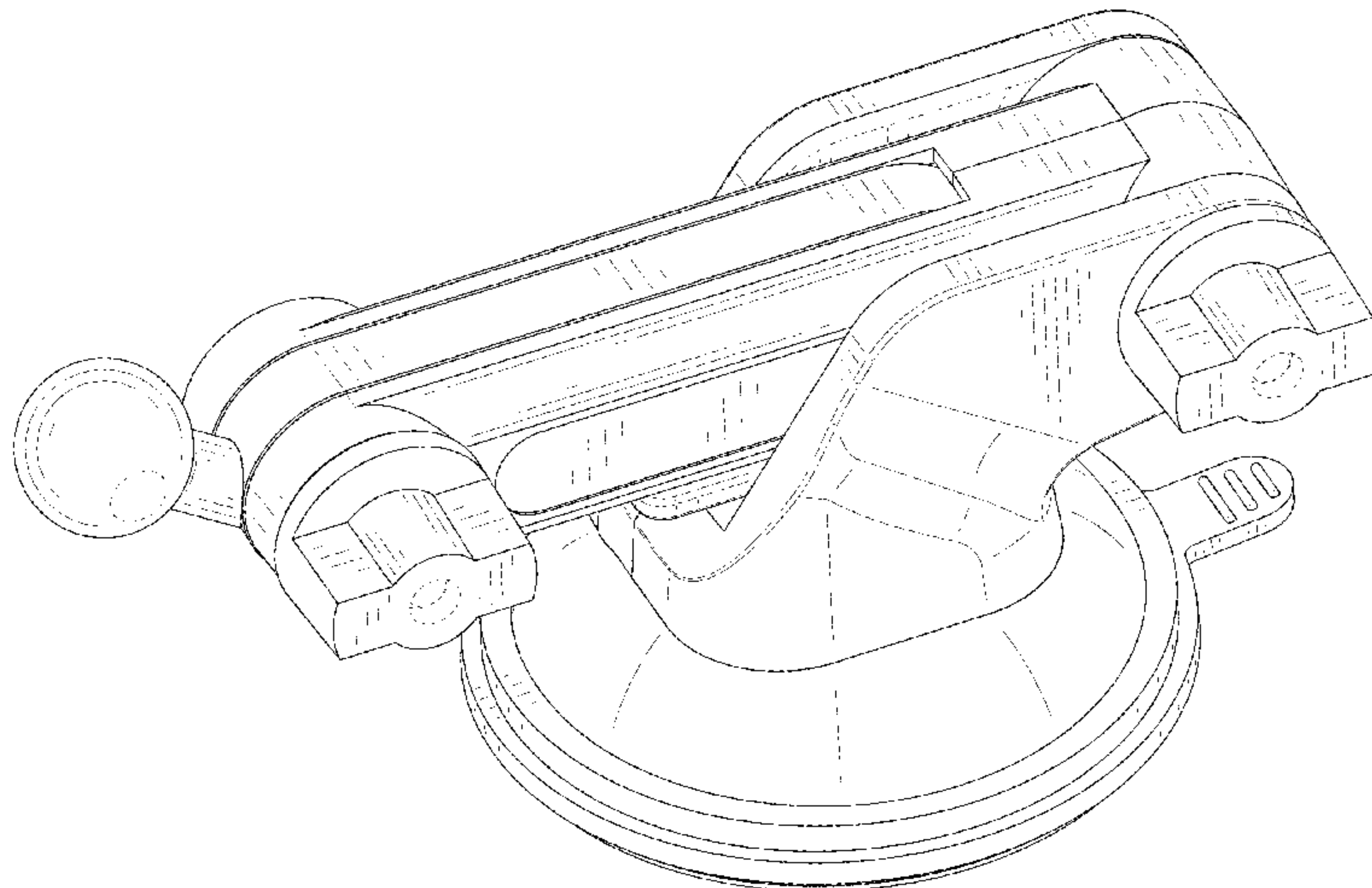
FIG. 1 is a perspective view of a mobile phone stand
showing my new design;
FIG. 2 is another perspective view thereof;
FIG. 3 is a front elevational view thereof;
FIG. 4 is a rear elevational view thereof;
FIG. 5 is a left side elevational view thereof;
FIG. 6 is a right side elevational view thereof;
FIG. 7 is a top plan view thereof;
FIG. 8 is a bottom plan view thereof; and,
FIG. 9 is a perspective view of the mobile phone stand where
the mobile phone stand is in a configuration of use.
The broken lines shown in the figures that are immediately
adjacent to the shaded areas and define unshaded regions
represent the bounds of the claim. All other broken lines,

(Continued)

(56) **References Cited**

U.S. PATENT DOCUMENTS

D718,297 S * 11/2014 Aspinall D14/253
D732,519 S * 6/2015 Aspinall D14/253
D817,317 S * 5/2018 Lee D14/253
D818,421 S * 5/2018 Hu D12/415



including the features within broken line boundaries, are directed to environment. The broken lines form no part of the claimed design.

1 Claim, 9 Drawing Sheets

(56) **References Cited**

U.S. PATENT DOCUMENTS

D850,436	S	*	6/2019	Vogel	D14/253
D852,116	S	*	6/2019	Jun	D12/415
D873,812	S	*	1/2020	Peters	D14/253
D875,090	S	*	2/2020	Leeds-Frank	D14/253
D879,090	S	*	3/2020	Chung	D14/253
D879,766	S	*	3/2020	Fan	D14/253
D889,382	S	*	7/2020	Lan	D12/415
D907,028	S	*	1/2021	Shen	D14/253
2019/0230205	A1	*	7/2019	Lee	H04M 1/04
2020/0103071	A1	*	4/2020	Du	F16M 11/2021

FOREIGN PATENT DOCUMENTS

KR	30099952.0000	*	3/2019
KR	301007720.0000	*	5/2019
KR	301007721.0000	*	5/2019

* cited by examiner

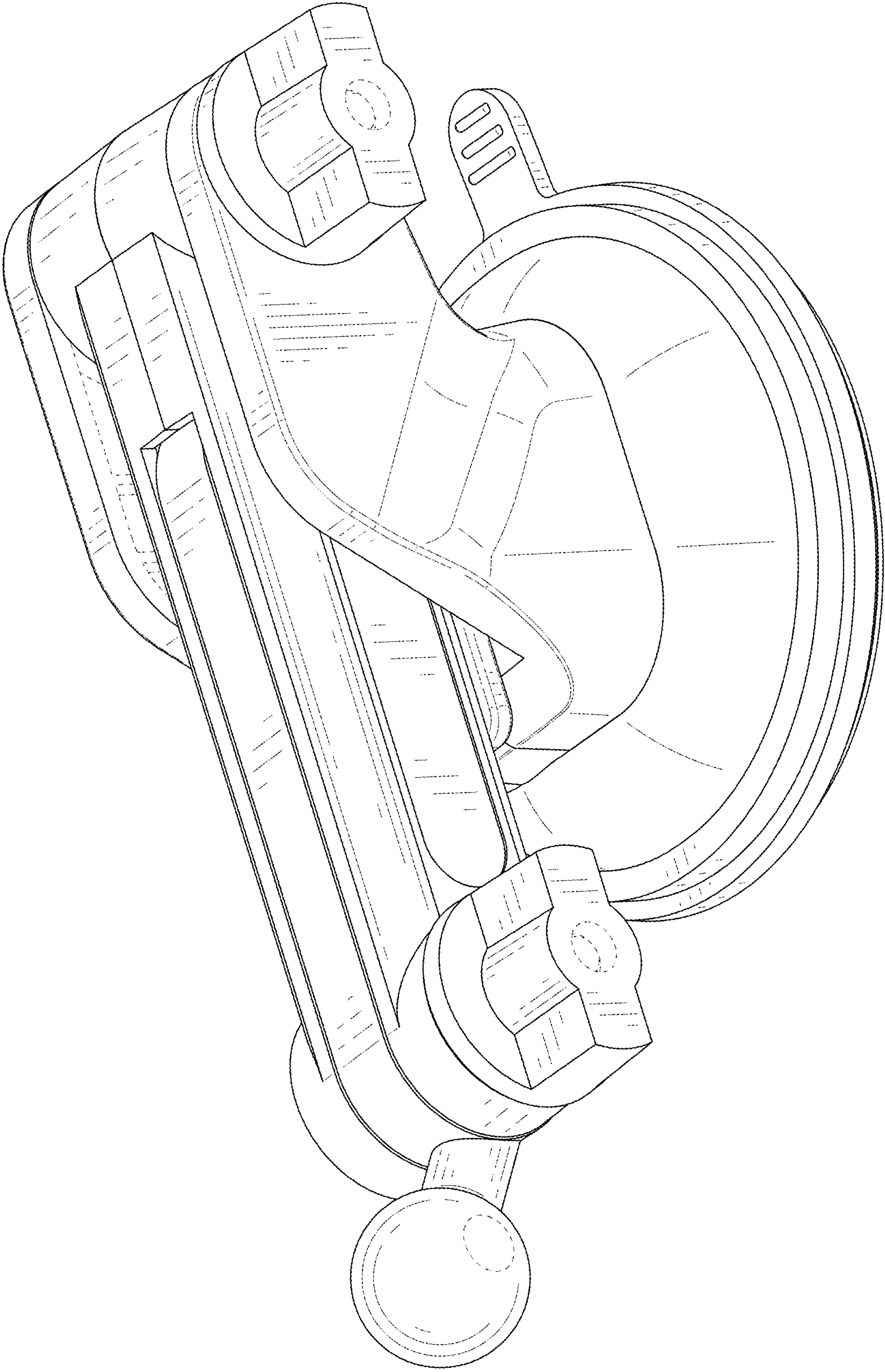


FIG. 1

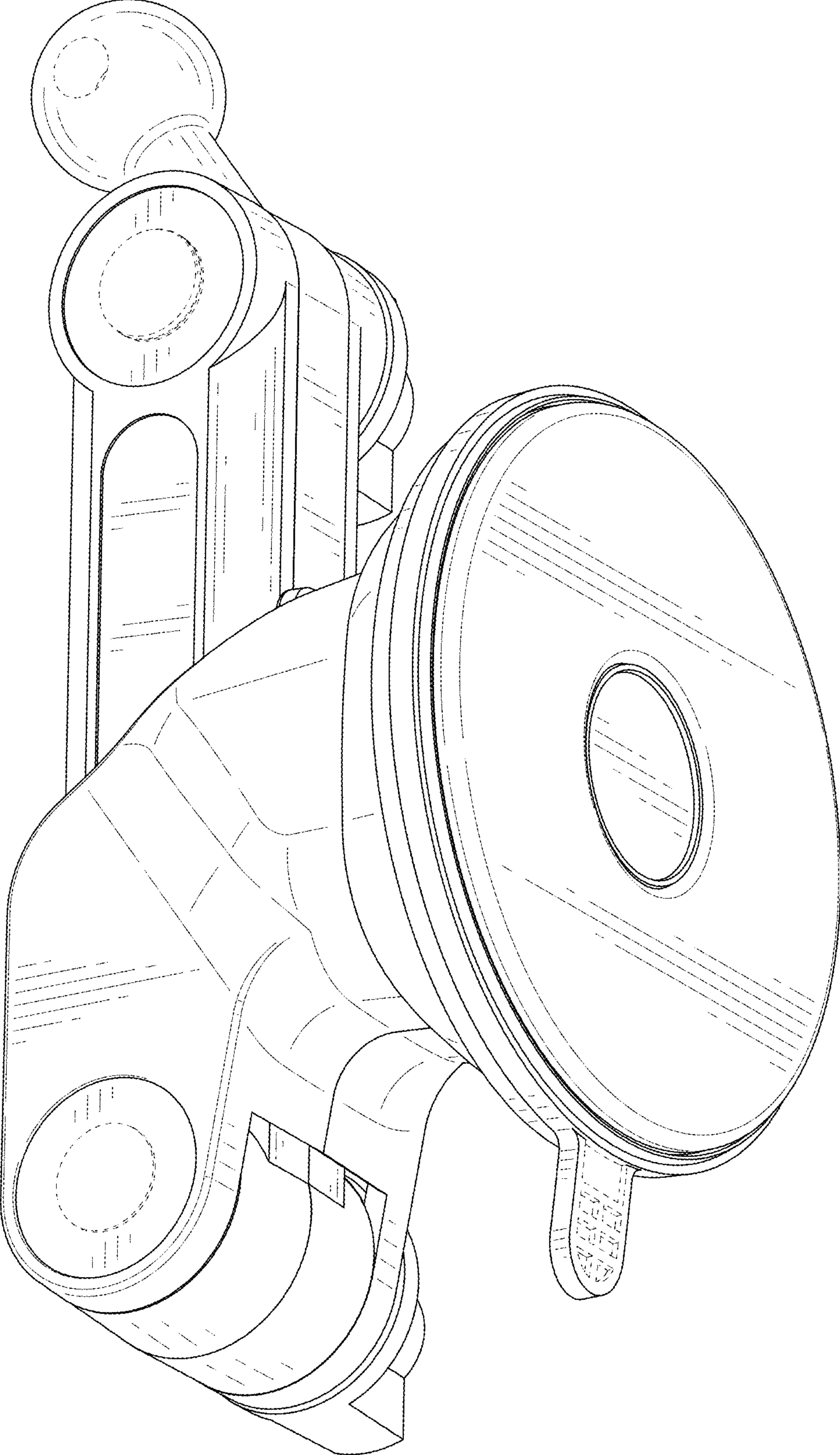


FIG. 2

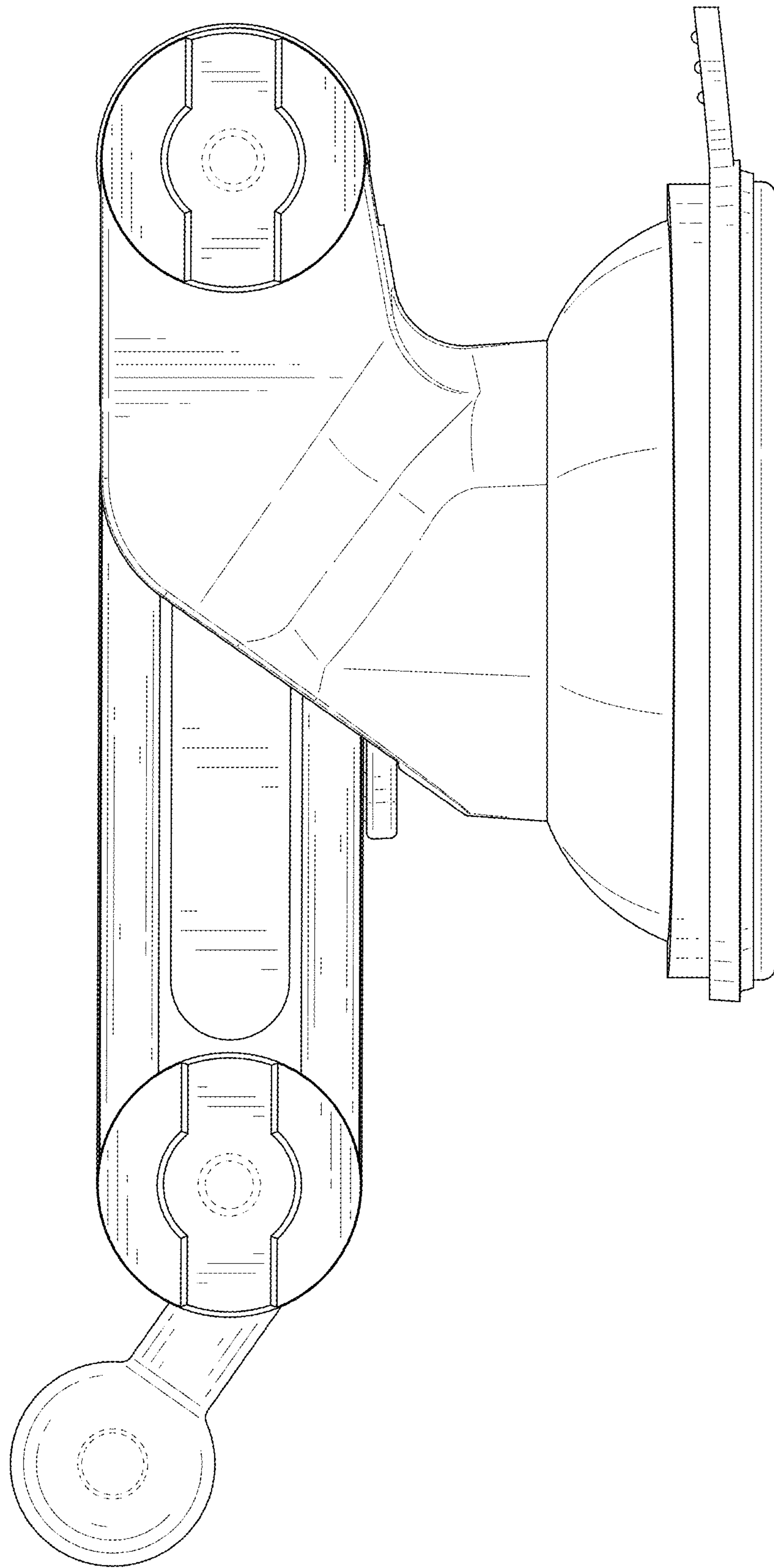


FIG. 3

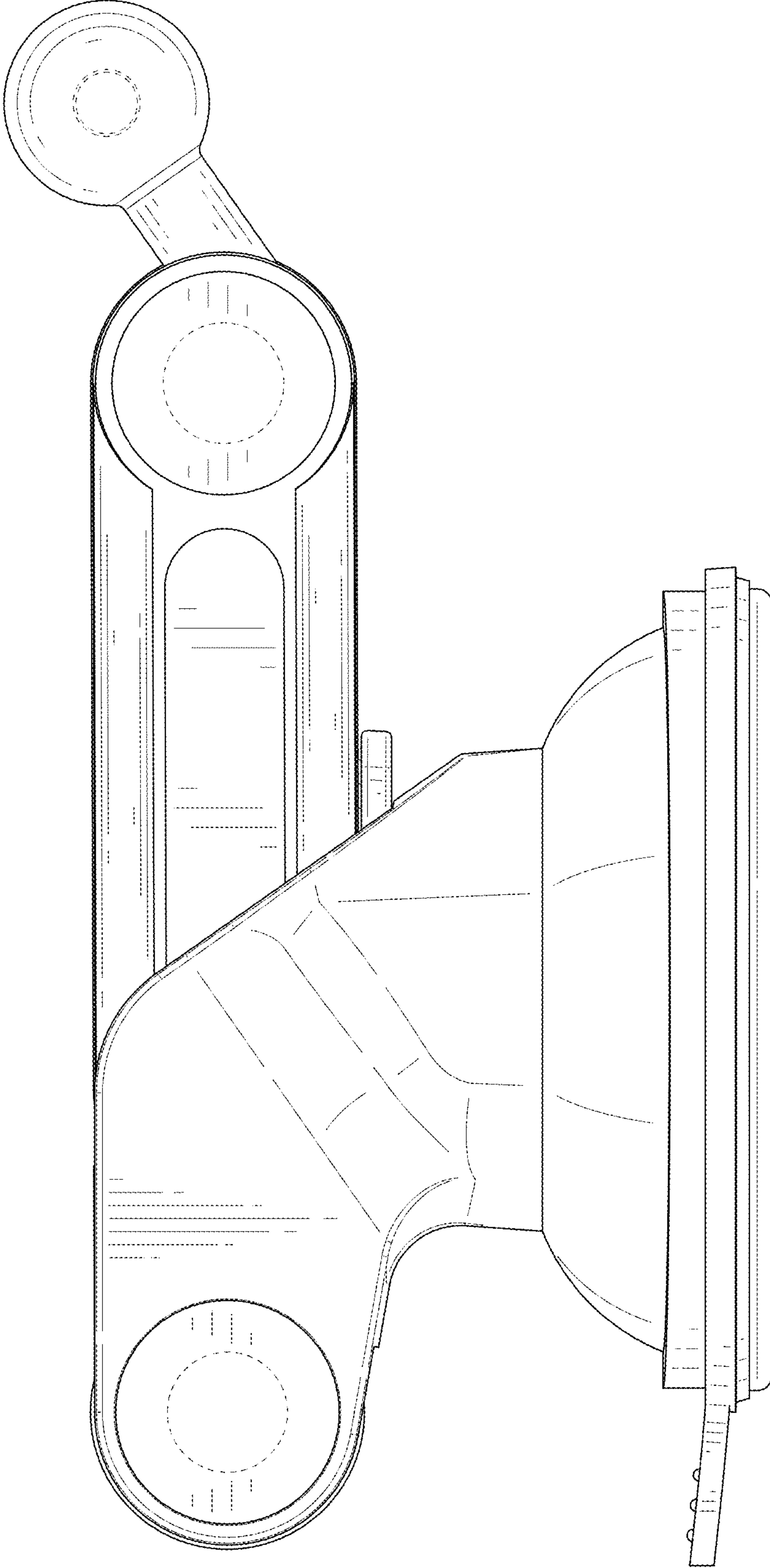


FIG. 4

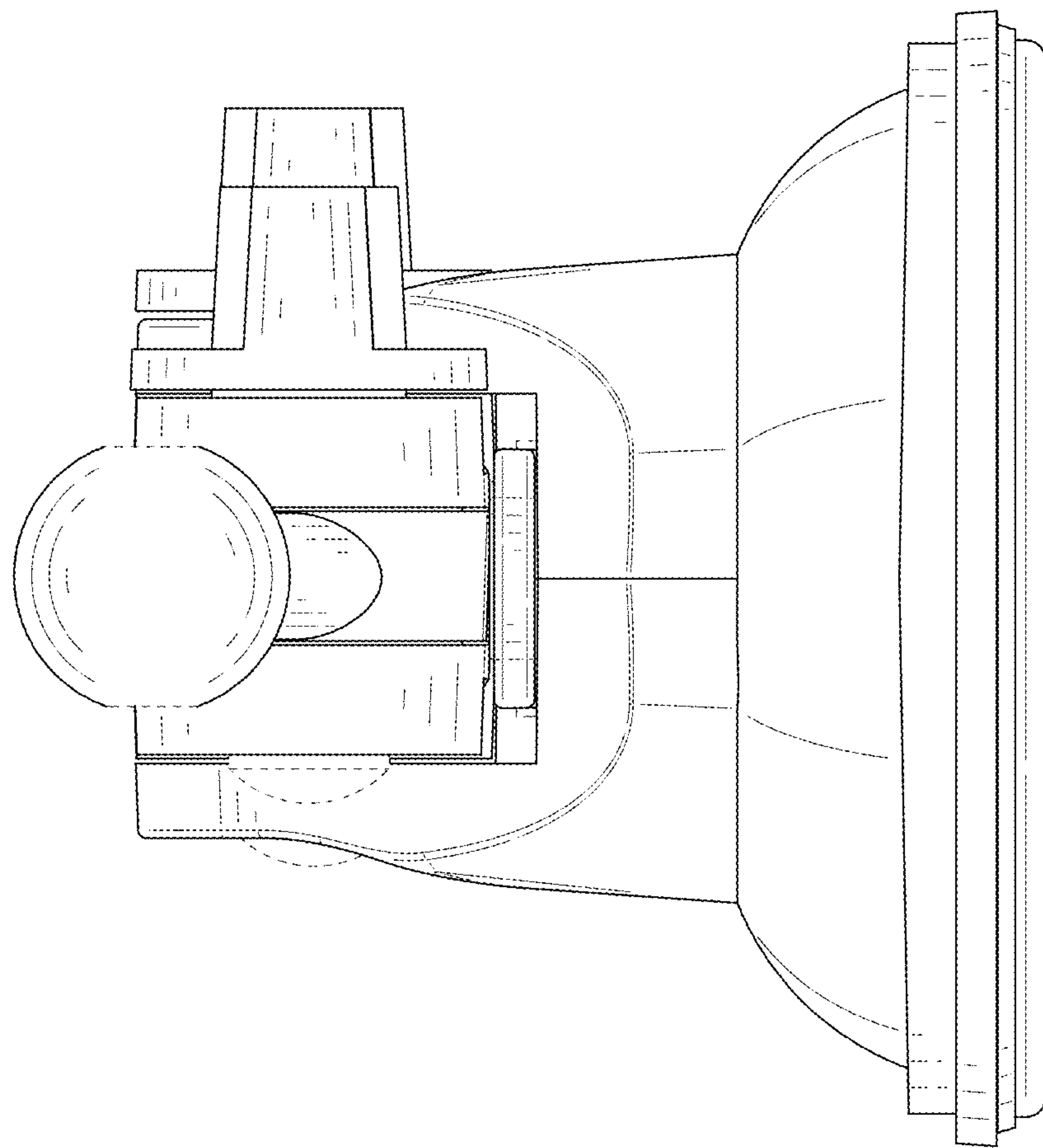


FIG. 5

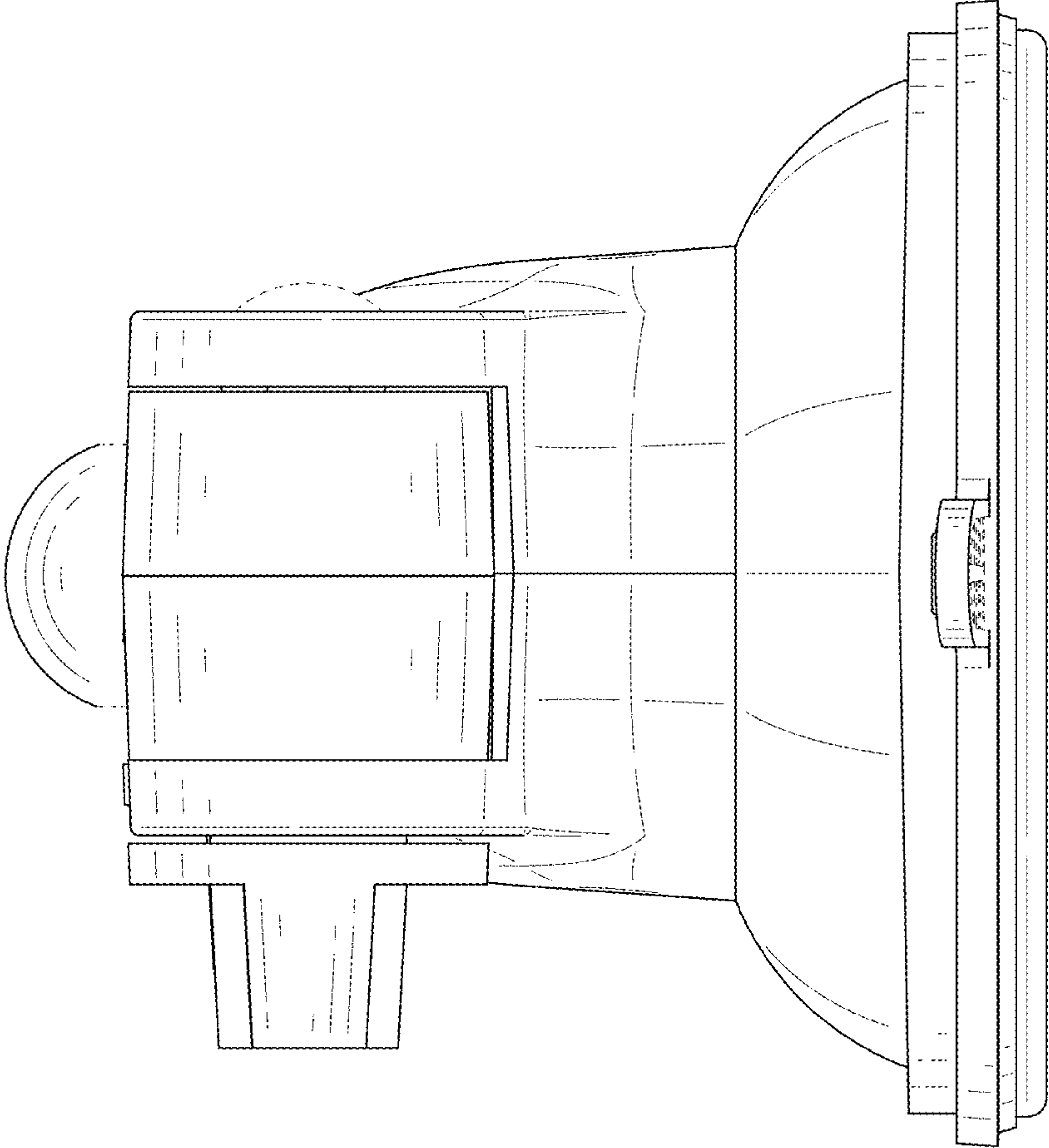


FIG. 6

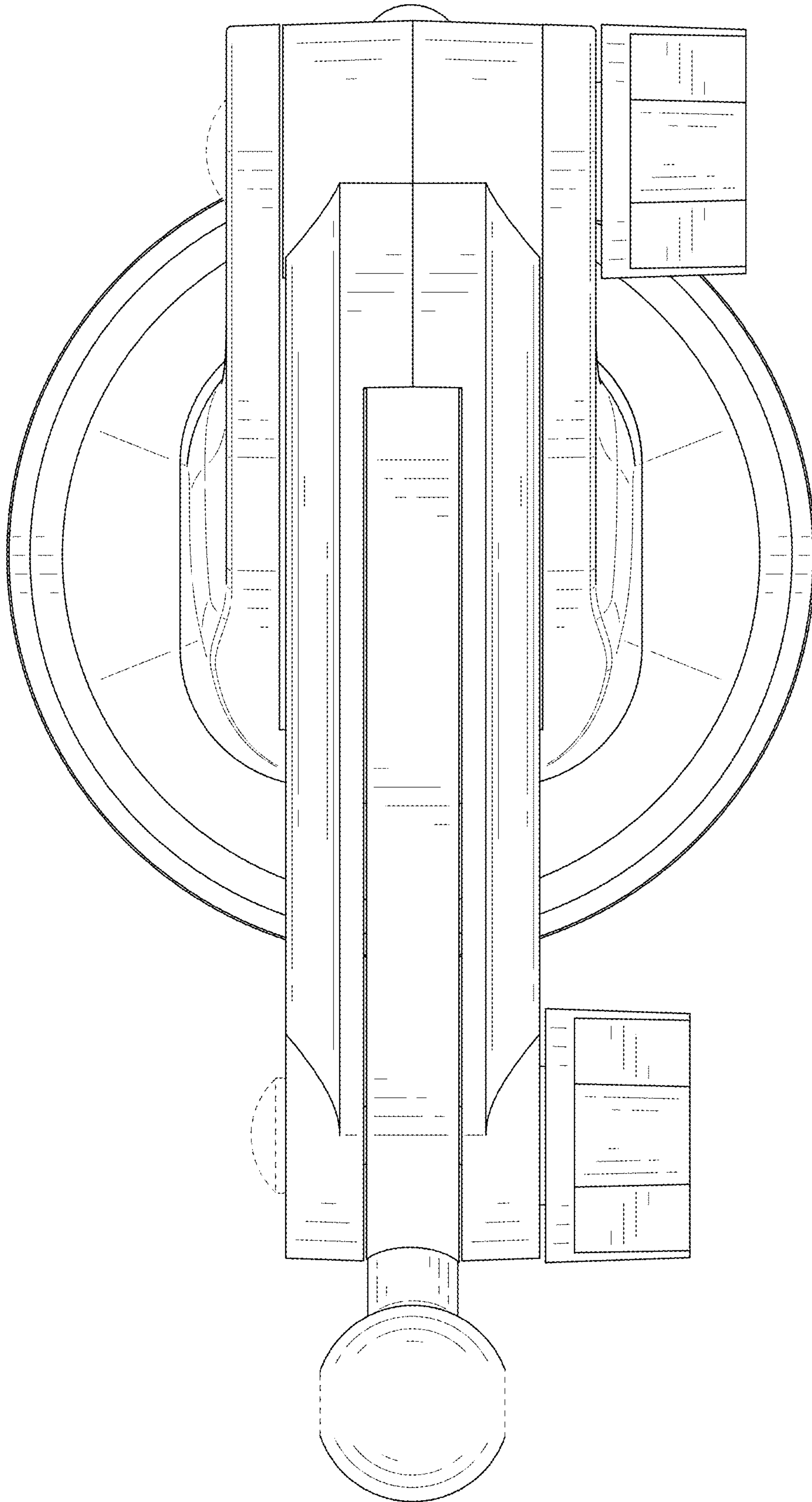


FIG. 7

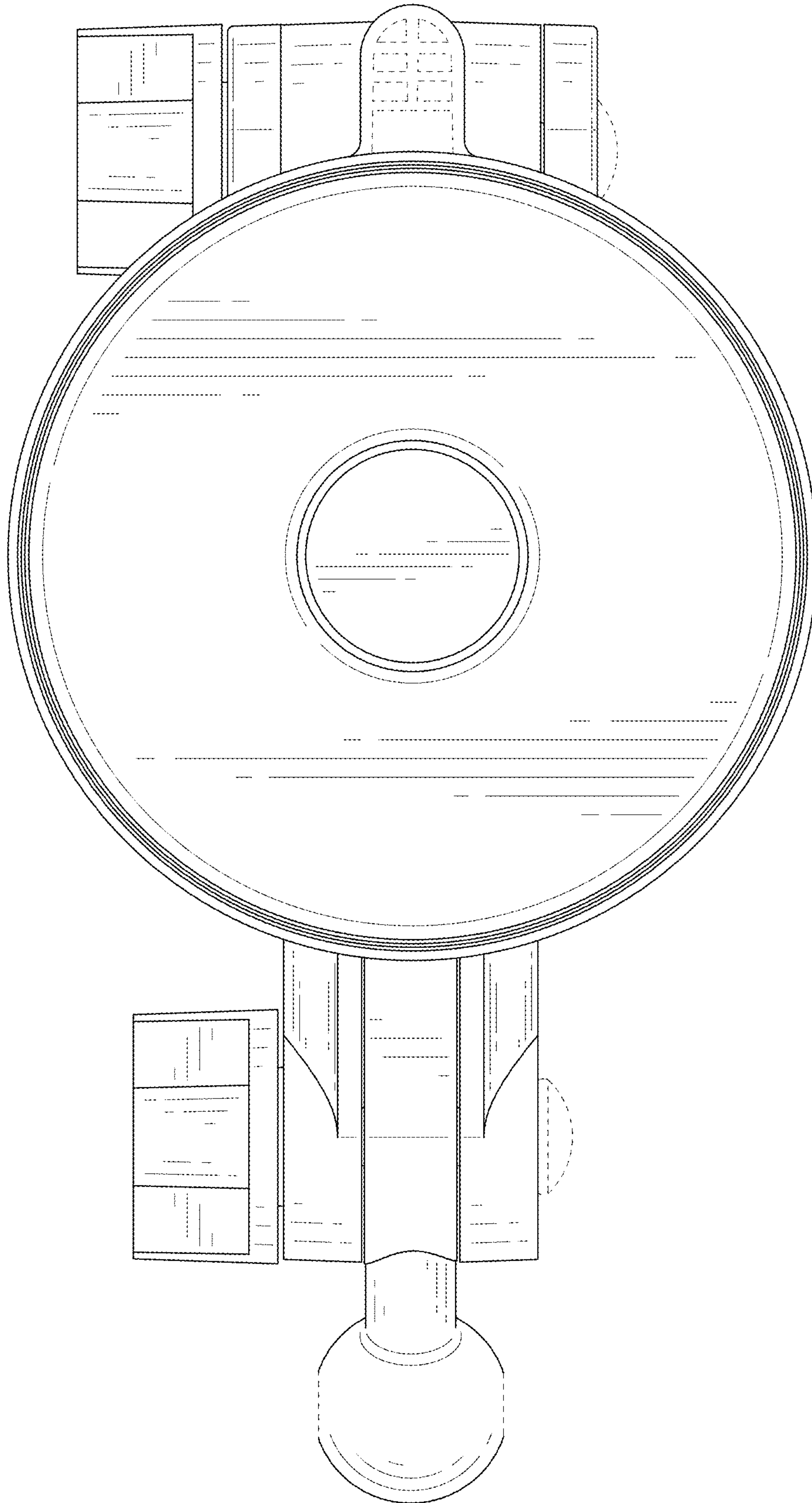


FIG. 8

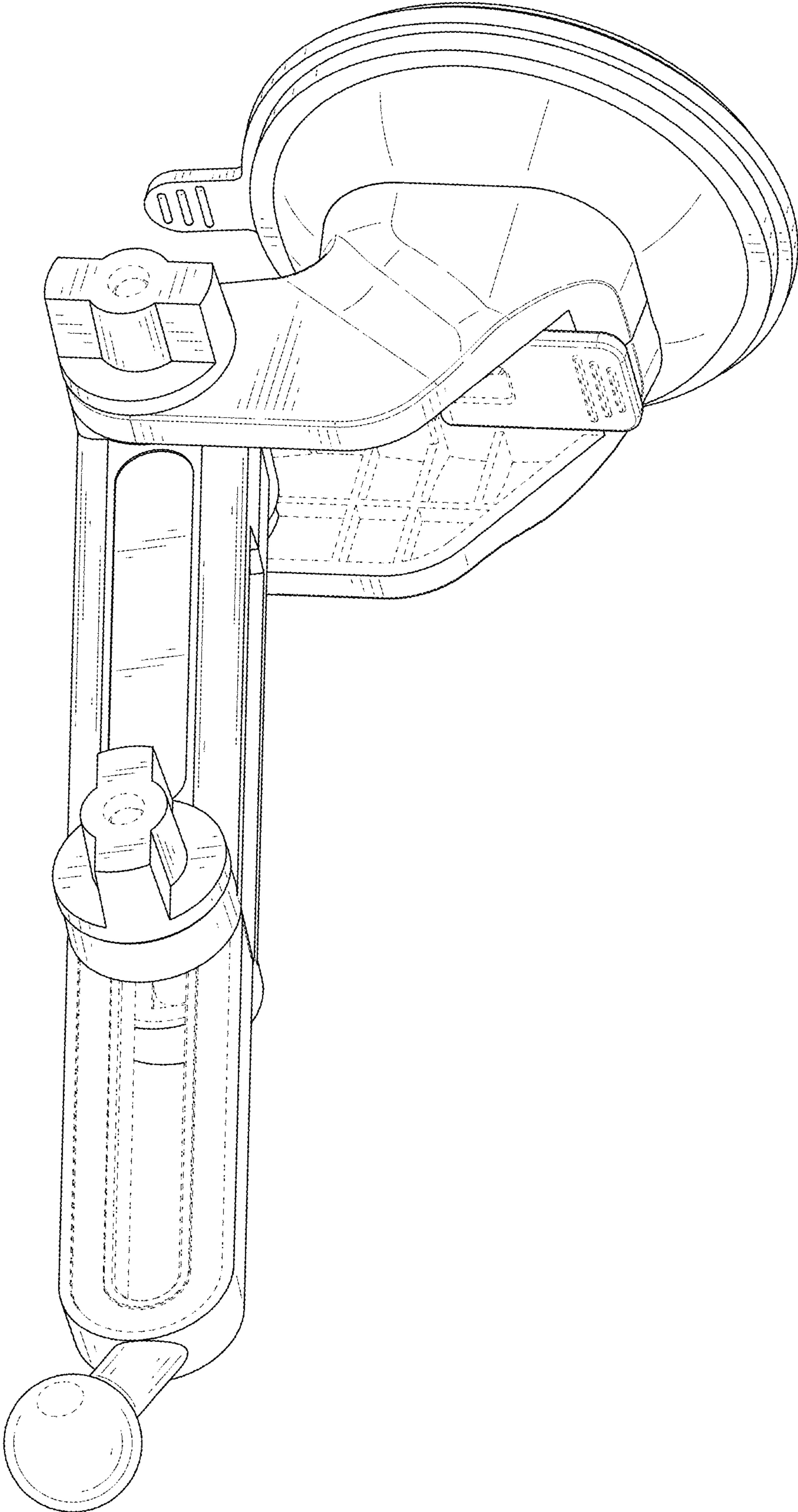


FIG. 9