



US00D934230S

(12) **United States Design Patent** (10) **Patent No.:** **US D934,230 S**  
**He** (45) **Date of Patent:** **\*\* Oct. 26, 2021**

(54) **STAND**

(71) Applicant: **Jiajia He**, Liuzhou (CN)

(72) Inventor: **Jiajia He**, Liuzhou (CN)

(\*\*) Term: **15 Years**

(21) Appl. No.: **29/726,928**

(22) Filed: **Mar. 6, 2020**

(30) **Foreign Application Priority Data**

Aug. 14, 2019 (CN) ..... 201930442106.0

(51) **LOC (13) Cl.** ..... **14-99**

(52) **U.S. Cl.**

USPC ..... **D14/253**; D14/447

(58) **Field of Classification Search**

USPC .... D14/251–253, 224, 224.1, 432–434, 447,  
D14/451, 452; D12/415, 426.1, 114, 223;  
D16/242, 244, 245; D10/74; D3/218;  
D13/108

CPC ..... B60R 11/00; B60R 11/02; B60R 11/0241;  
B60R 11/0252; B60R 2011/0003; B60R  
2011/0005; B60R 2011/0008; H04M  
1/04; H04B 1/3877; A45F 2200/0516;  
A45F 2200/0525; H05K 5/02; H05K  
5/0204; H05K 7/00; F16M 13/02; F16M  
13/022; F16M 11/00; F16M 11/04; F16M  
11/041; F16M 11/06

See application file for complete search history.

(56) **References Cited**

U.S. PATENT DOCUMENTS

D669,085 S \* 10/2012 Coberly ..... D14/447  
D674,396 S \* 1/2013 Yang ..... D14/447  
8,424,830 B2 \* 4/2013 Yang ..... A47B 23/044  
248/459  
8,640,864 B2 \* 2/2014 Chen ..... G06F 1/1626  
206/45.2

D723,040 S \* 2/2015 Kang ..... D14/440  
D726,192 S \* 4/2015 Massucco ..... D14/440  
D730,913 S \* 6/2015 Shao ..... D14/440  
D743,967 S \* 11/2015 Huang ..... D14/440  
D755,796 S \* 5/2016 Gibson ..... D14/447  
D772,234 S \* 11/2016 Massucco ..... D14/440  
9,730,345 B2 \* 8/2017 Wu ..... G06F 1/166  
D805,519 S \* 12/2017 Diebel ..... A45C 11/00  
D14/440  
D879,108 S \* 3/2020 Fisk ..... D14/447  
RE48,041 E \* 6/2020 Wu ..... F16M 11/041  
D912,679 S \* 3/2021 He ..... D14/447

(Continued)

*Primary Examiner* — Rebekah A Caruso

(74) *Attorney, Agent, or Firm* — IPro, PLLC

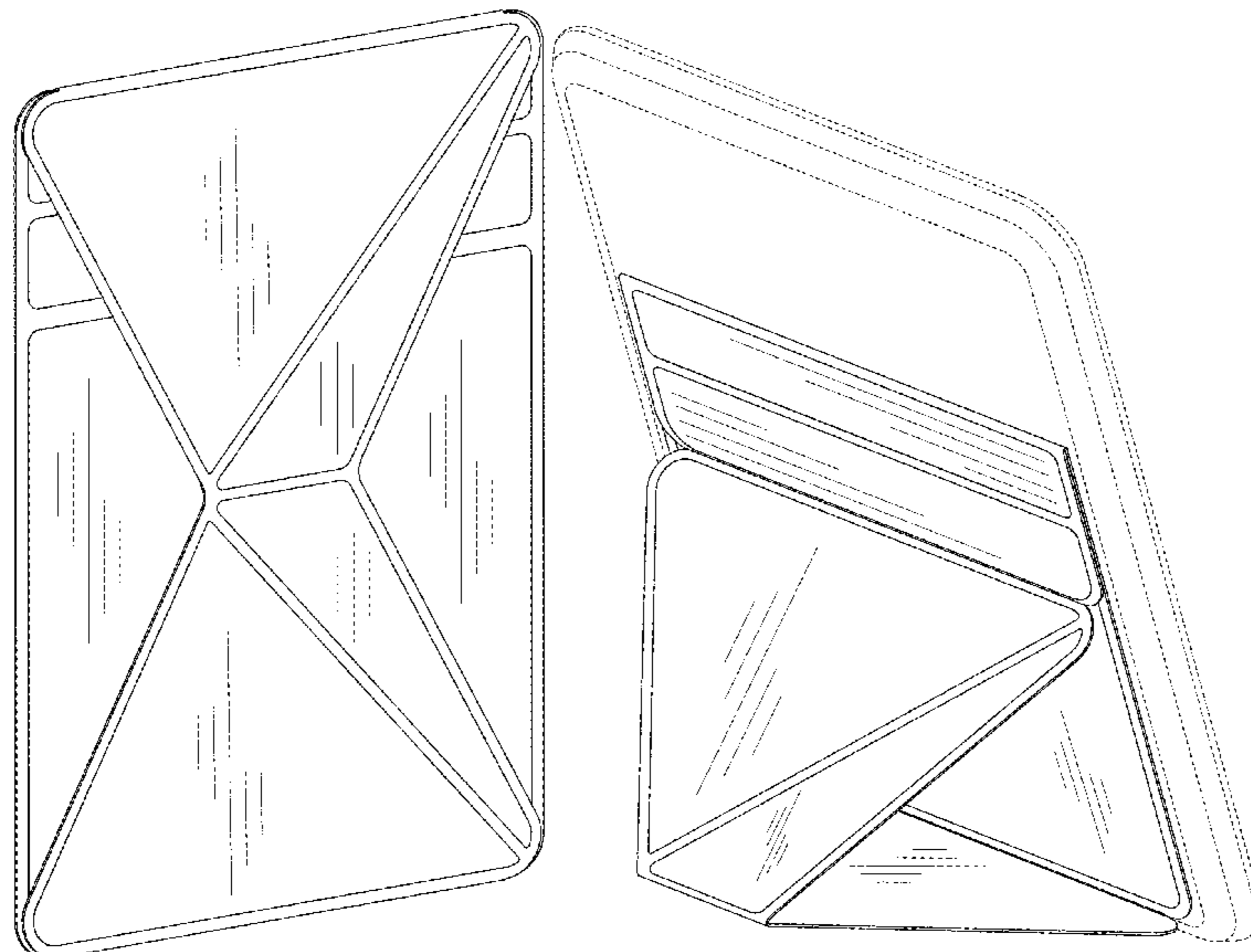
(57) **CLAIM**

The ornamental design for a stand, as shown and described.

**DESCRIPTION**

FIG. 1 is a perspective view of a stand embodying the new design;  
FIG. 2 is another perspective view thereof;  
FIG. 3 is a front view thereof;  
FIG. 4 is a back view thereof;  
FIG. 5 is a side view thereof;  
FIG. 6 is another side view thereof;  
FIG. 7 is a top view thereof;  
FIG. 8 is a bottom view thereof;  
FIG. 9 is a perspective view of the stand in use;  
FIG. 10 is another perspective view of the stand in use;  
FIG. 11 is another perspective view of the stand in use;  
FIG. 12 is another perspective view of the stand in use;  
FIG. 13 is another perspective view of the stand in use; and,  
FIG. 14 is another perspective view of the stand in use.  
In FIGS. 9-14, the broken lines depict an electronic device to which the stand is attached and form no part of the claimed design.

**1 Claim, 14 Drawing Sheets**



(56)

**References Cited**

U.S. PATENT DOCUMENTS

D914,689 S \* 3/2021 Culver ..... A47B 23/044  
D14/447  
2013/0264459 A1\* 10/2013 McCosh ..... H04M 1/04  
248/688  
2013/0284866 A1\* 10/2013 Lee ..... F16M 11/38  
248/188.6  
2018/0078068 A1\* 3/2018 Cronin ..... A47B 23/042

\* cited by examiner

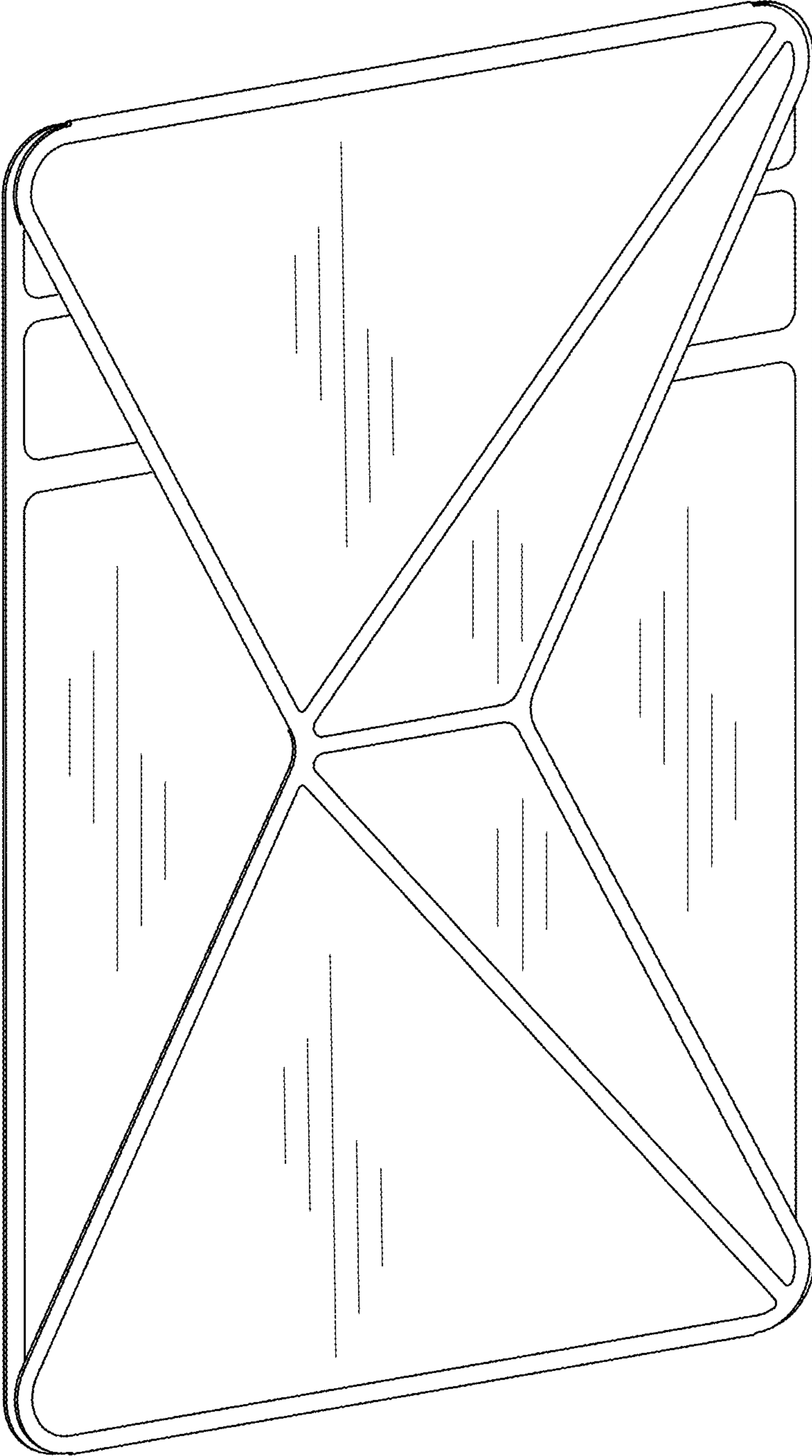


FIG. 1

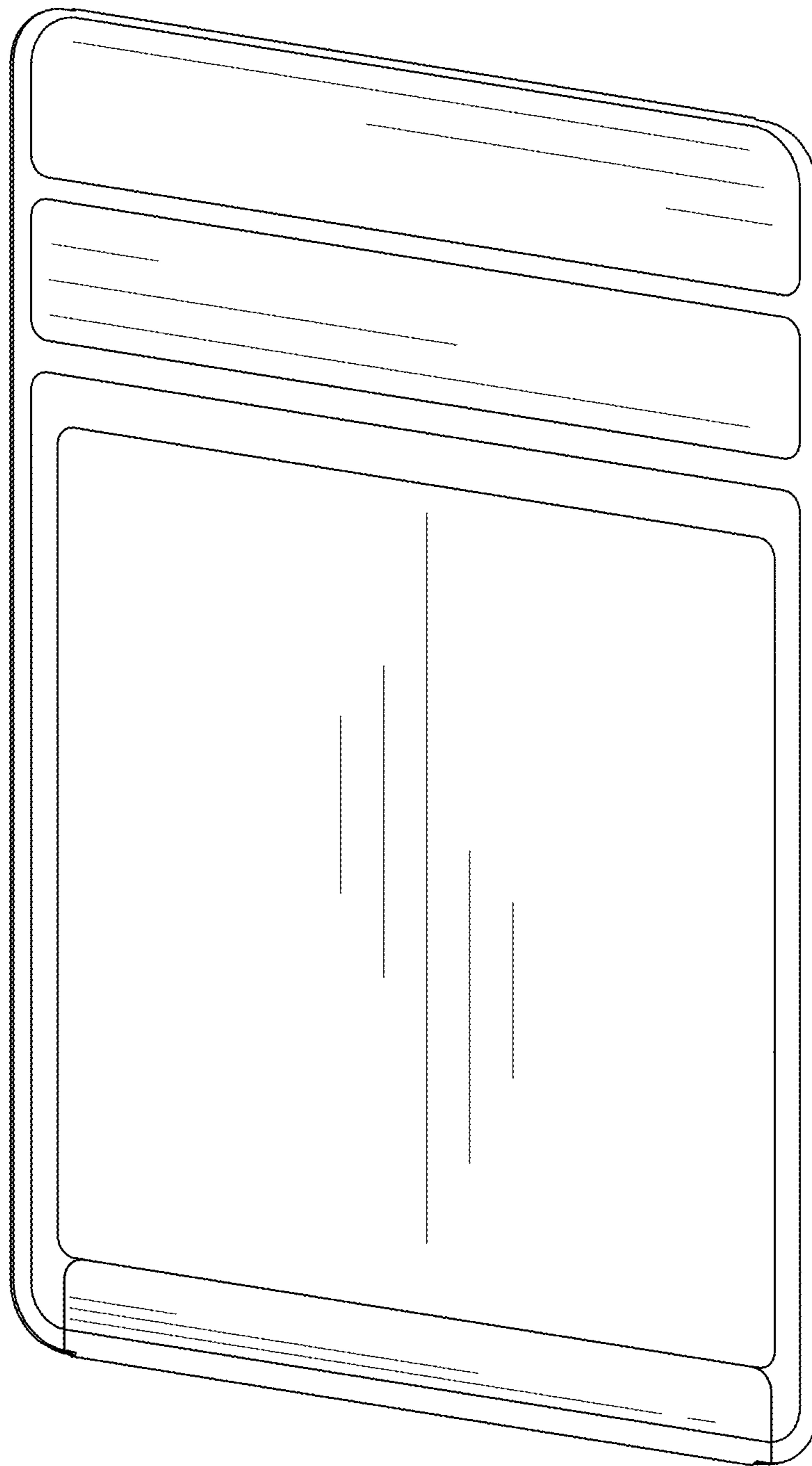


FIG. 2

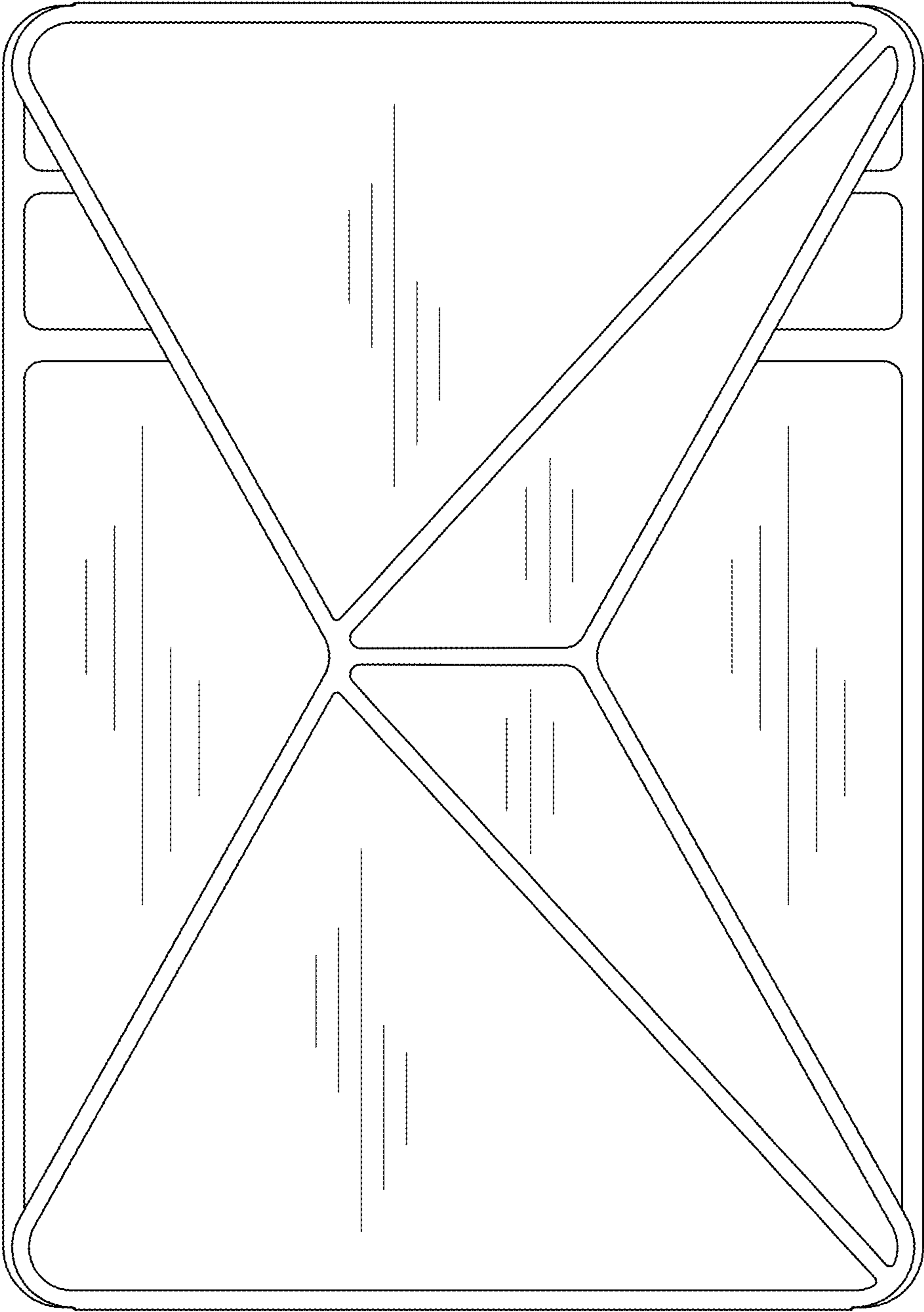


FIG. 3

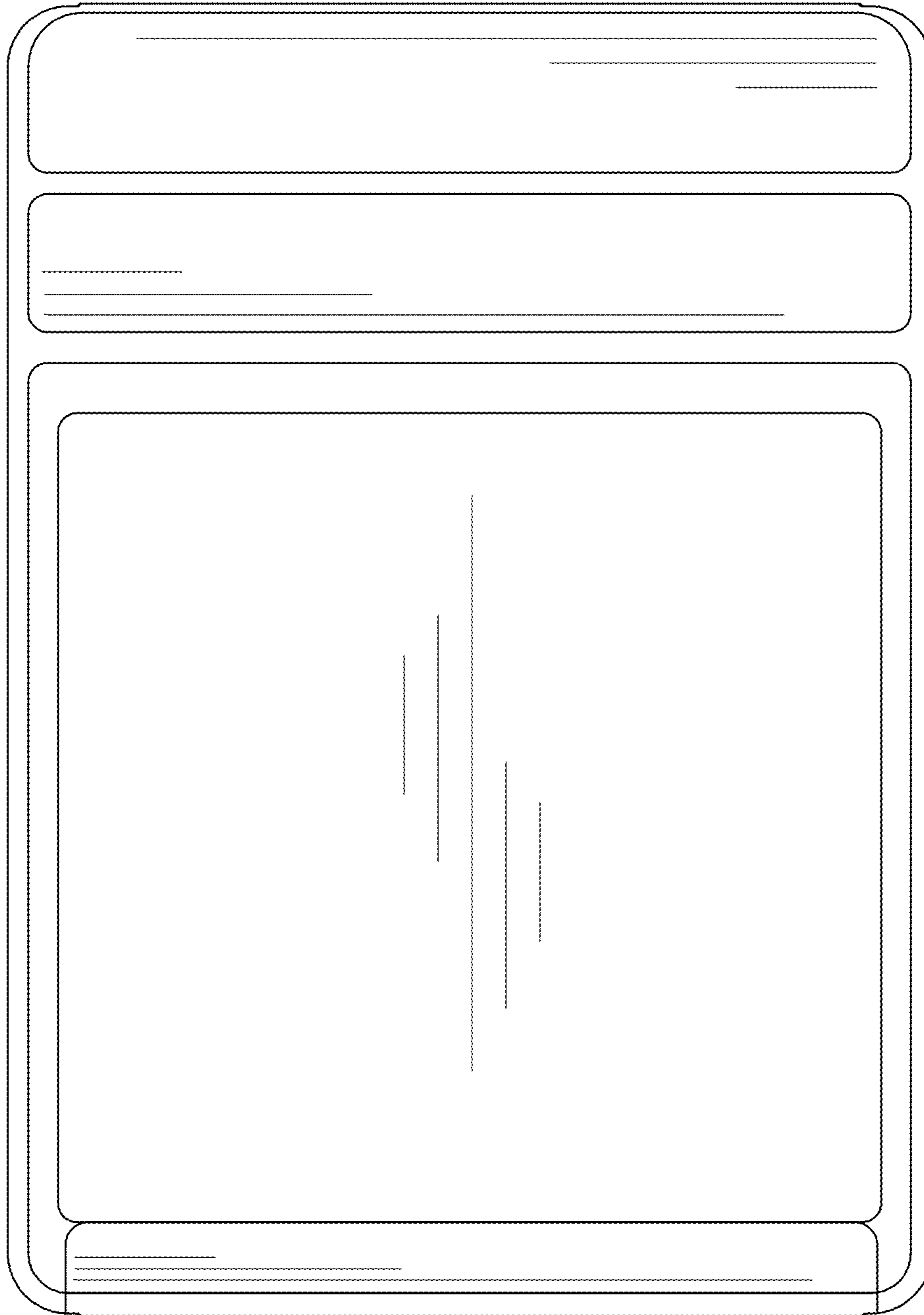


FIG. 4



FIG. 5



FIG. 6



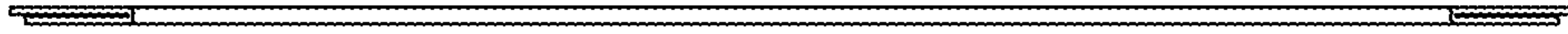


FIG. 7

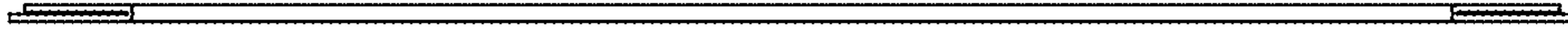


FIG. 8

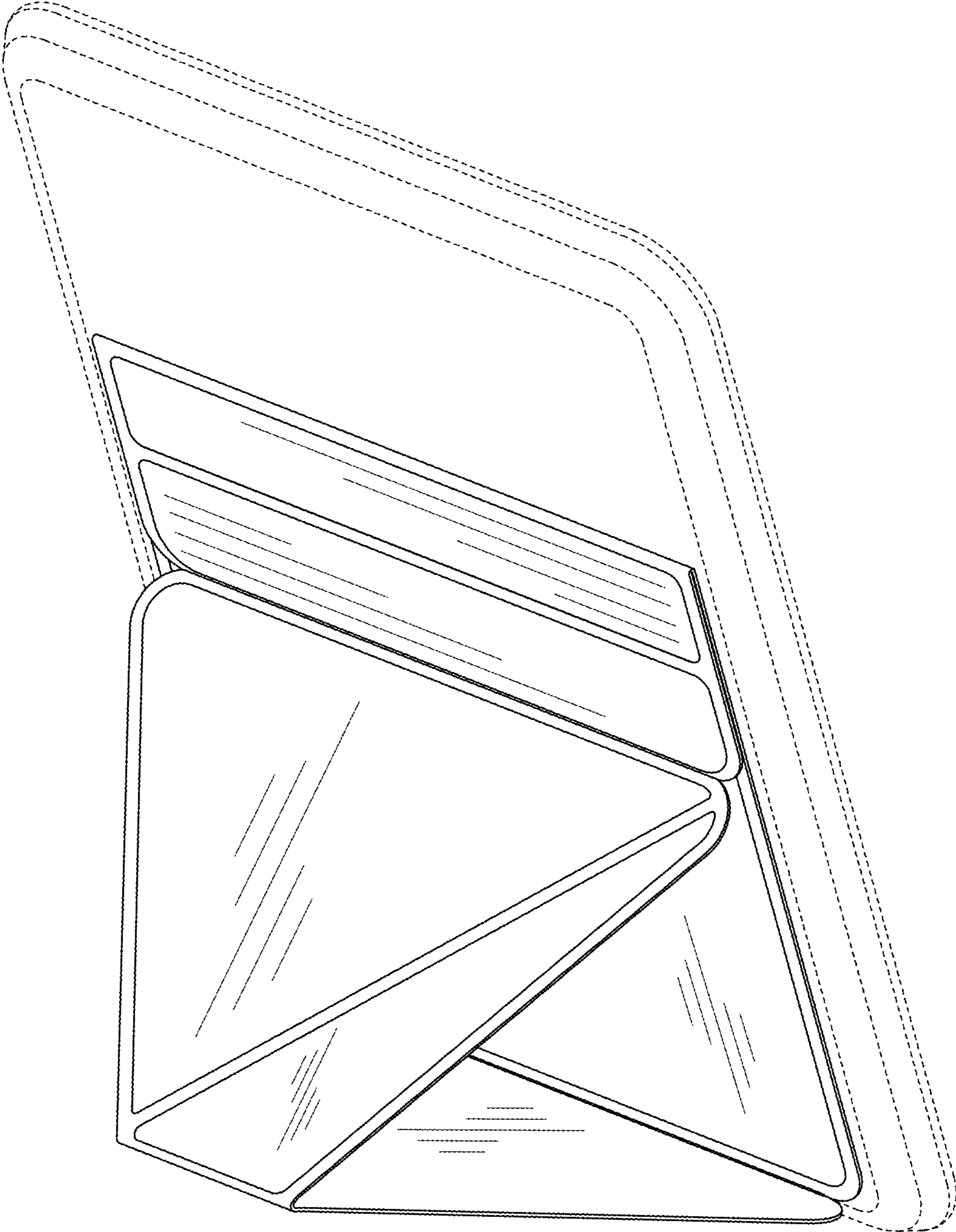


FIG. 9

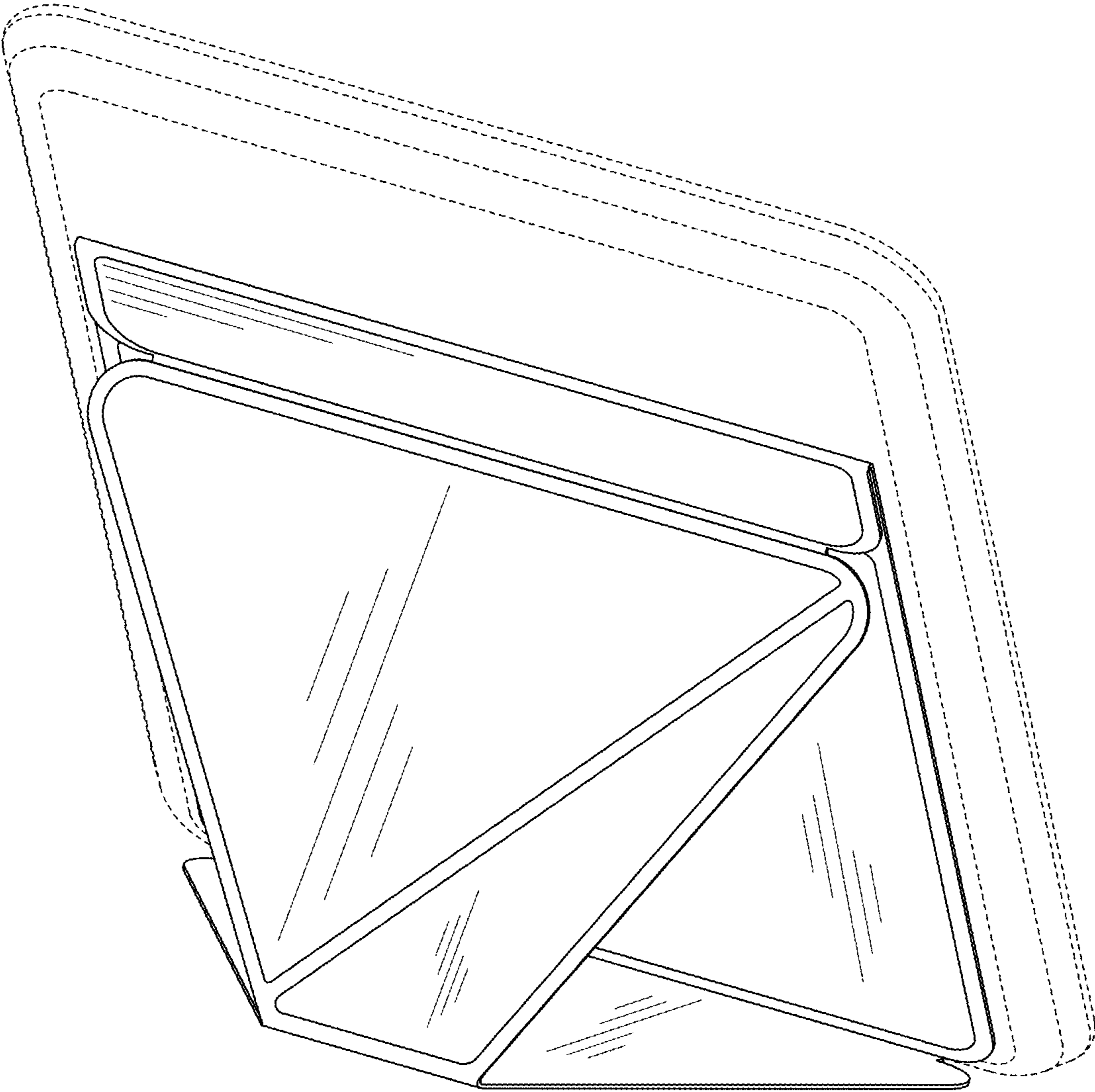


FIG. 10

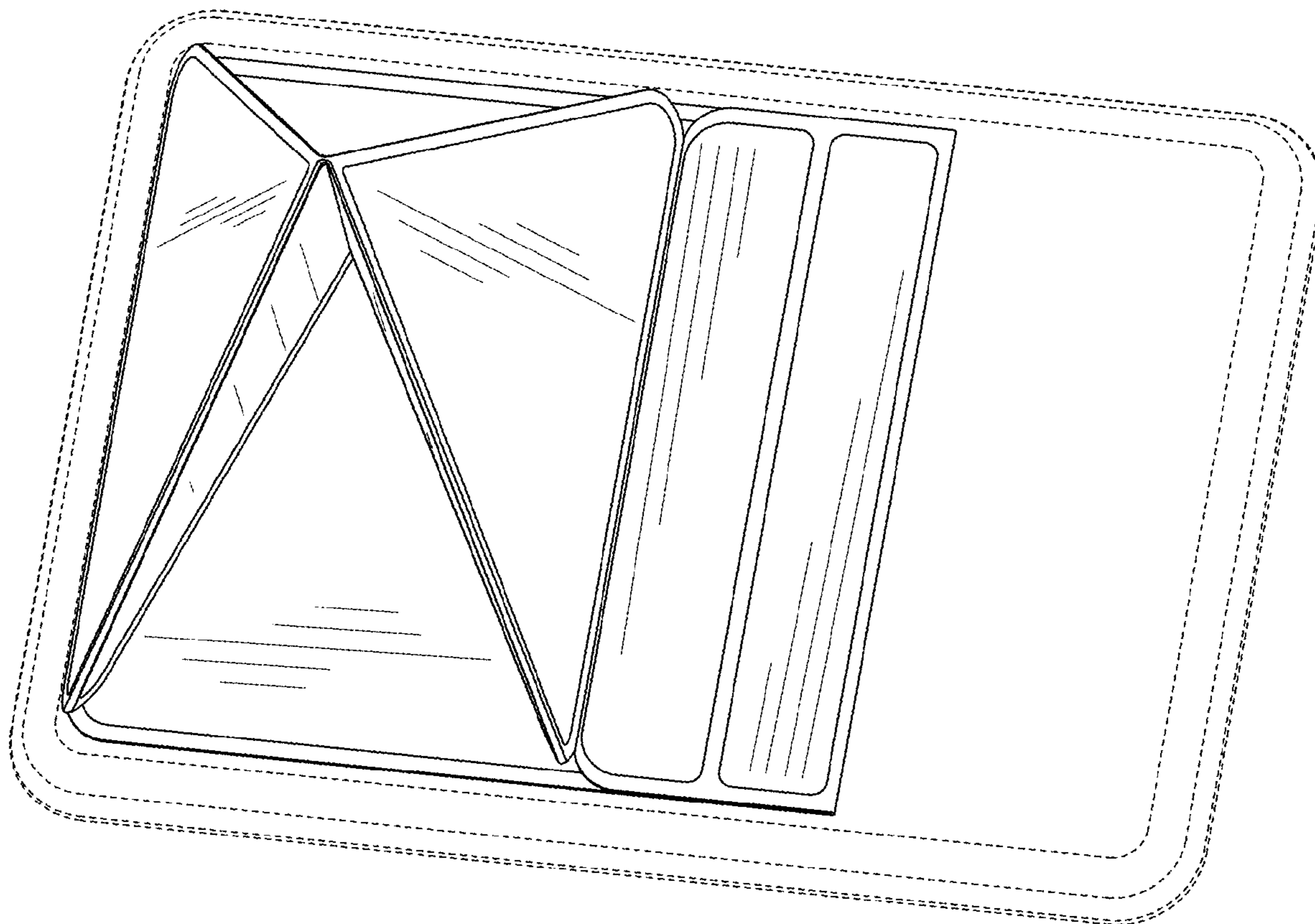


FIG. 11

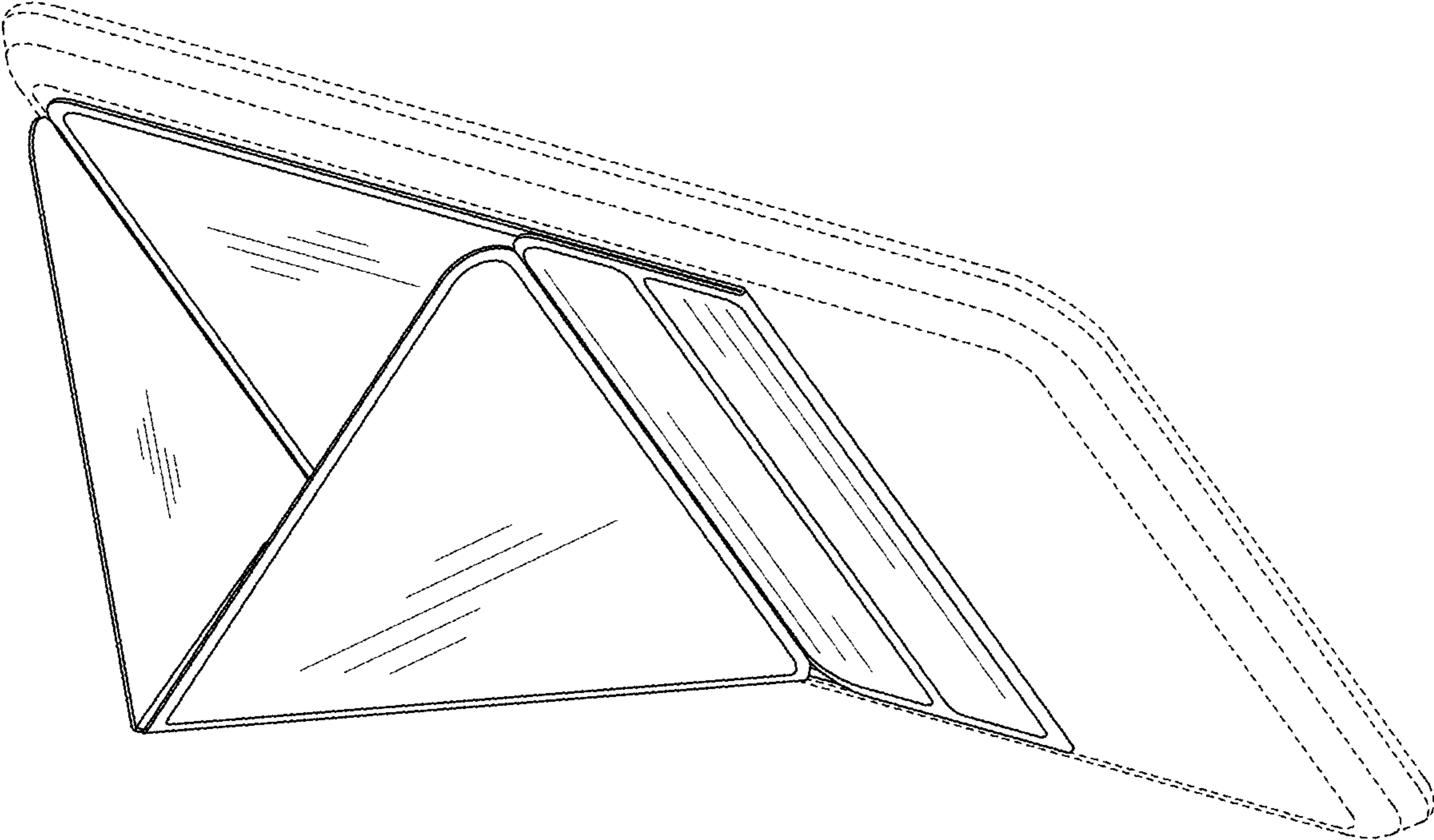


FIG. 12

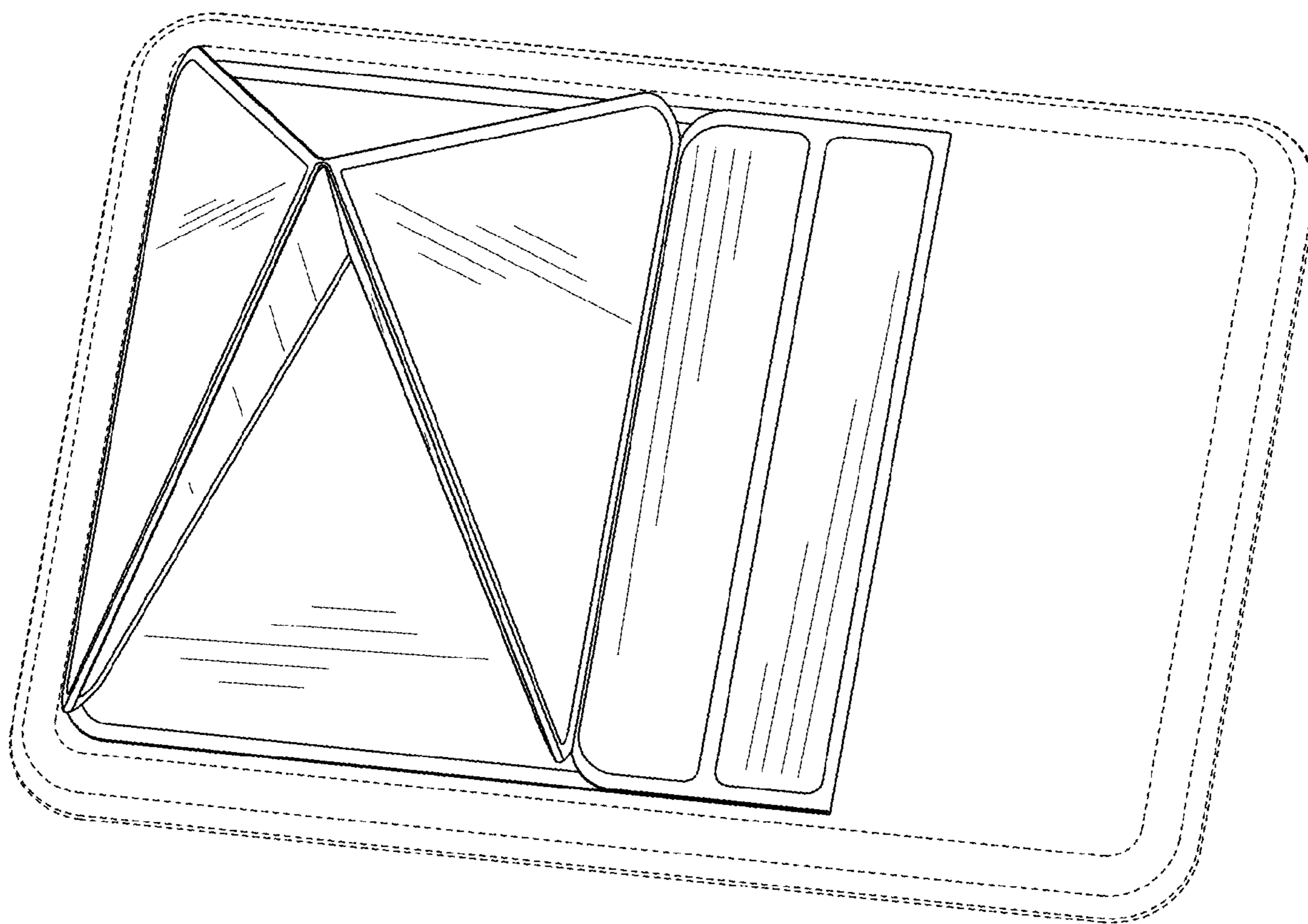


FIG. 13

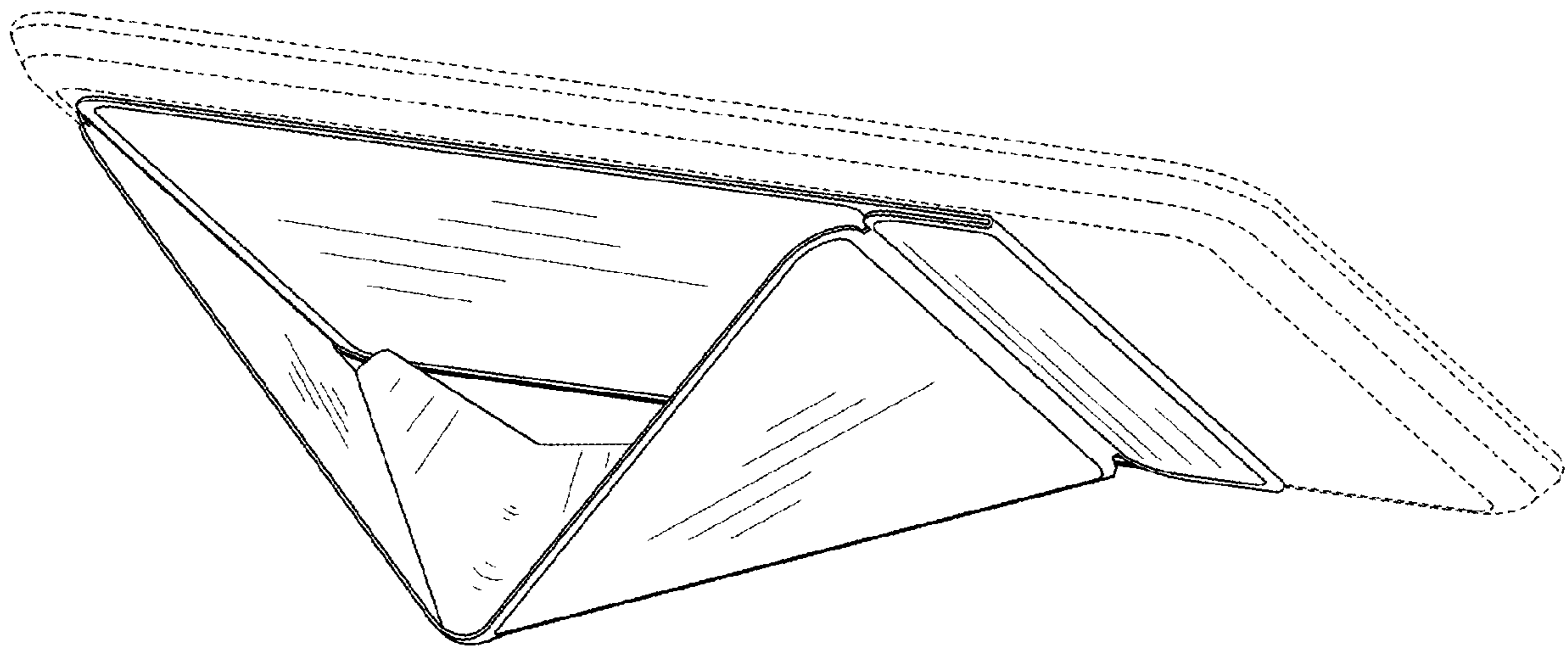


FIG. 14