



US00D934228S

(12) **United States Design Patent** (10) **Patent No.:** **US D934,228 S**
Patterson (45) **Date of Patent:** **** Oct. 26, 2021**

(54) **HANDS-FREE HOLDER FOR ELECTRONIC AND OTHER DEVICES**

D692,434 S * 10/2013 Kim D14/440
D697,069 S * 1/2014 Tak D14/447
D726,192 S * 4/2015 Massucco D14/440

(Continued)

(71) Applicant: **Ross Patterson**, Austin, TX (US)

(72) Inventor: **Ross Patterson**, Austin, TX (US)

(**) Term: **15 Years**

(21) Appl. No.: **29/723,666**

(22) Filed: **Feb. 10, 2020**

(51) **LOC (13) Cl.** **14-99**

(52) **U.S. Cl.**
USPC **D14/253**; D14/447

(58) **Field of Classification Search**
USPC D14/251–253, 224, 224.1, 432–434, 447,
D14/451, 452; D12/415, 426.1, 114, 223;
D16/242, 244, 245; D10/74; D3/218,
D3/263, 265, 266; D13/108
CPC B60R 11/00; B60R 11/02; B60R 11/0241;
B60R 11/0252; B60R 2011/0003; B60R
2011/0005; B60R 2011/0008; H04M
1/04; H04B 1/3877; A45F 2200/0516;
A45F 2200/0525; H05K 5/02; H05K
5/0204; H05K 7/00; F16M 13/02; F16M
13/022; F16M 11/00; F16M 11/04; F16M
11/041; F16M 11/06

See application file for complete search history.

(56) **References Cited**

U.S. PATENT DOCUMENTS

4,318,527 A * 3/1982 Smith A47B 23/044
248/459
D447,486 S * 9/2001 Goto D14/447
D544,218 S * 6/2007 Schelert D6/300
D667,831 S * 9/2012 Stravitz D14/447
D676,452 S * 2/2013 So D14/447
8,424,830 B2 * 4/2013 Yang A47B 23/044
248/459
D689,870 S * 9/2013 Fong D14/447

OTHER PUBLICATIONS

Ebay item: Costco Sunglasses Eyeglasses Black Leather Case Foldable / Travel Case; Last updated on Mar. 20, 2020.

Primary Examiner — Rebekah A Caruso

(74) *Attorney, Agent, or Firm* — Winstead PC

(57) **CLAIM**

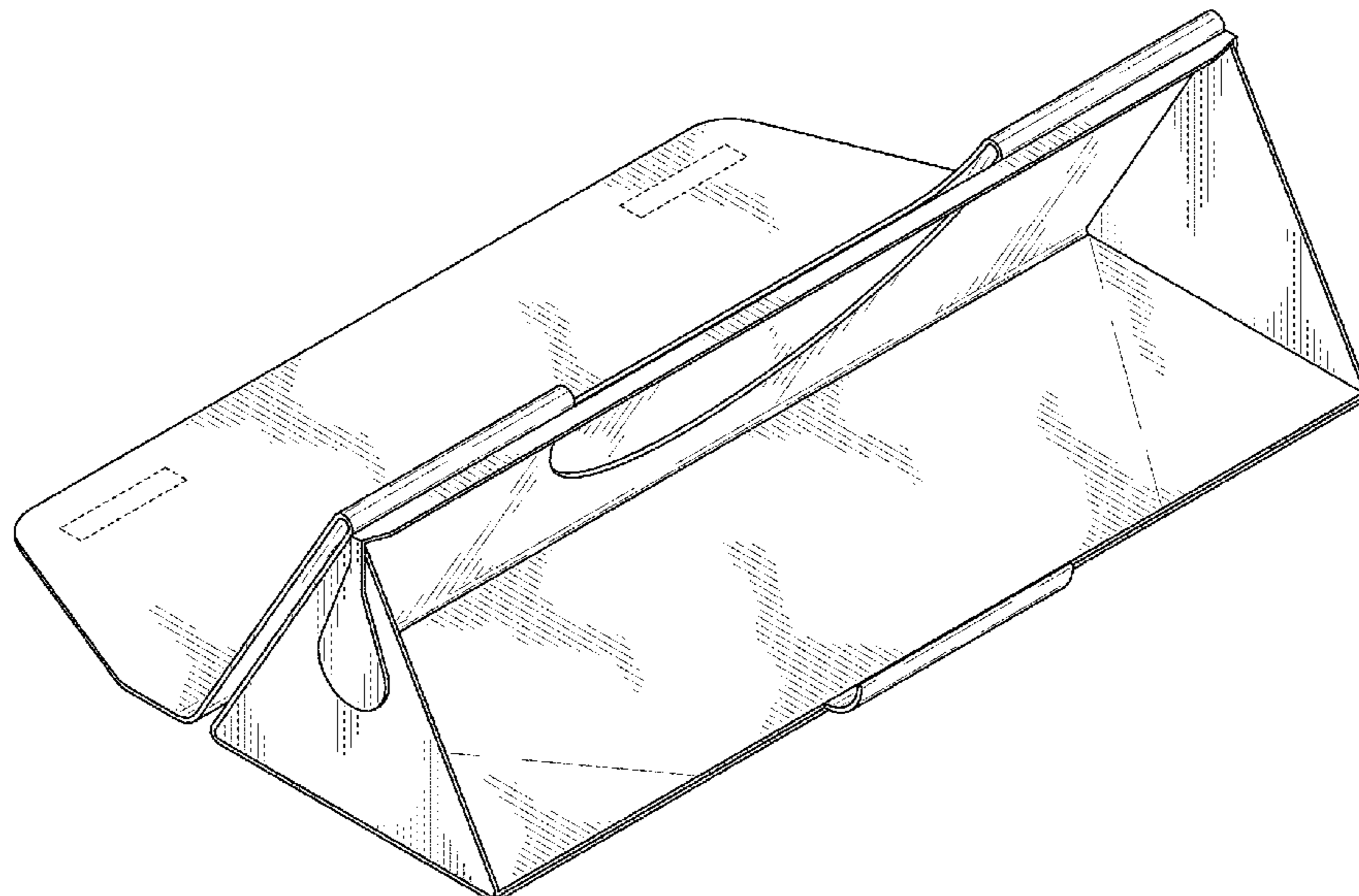
I claim the ornamental design for a hands-free holder for electronic and other devices, as shown and described.

DESCRIPTION

FIG. 1 shows a perspective view of a hands-free holder for electronic and other devices;
FIG. 2 shows a front view of the hands-free holder for electronic and other devices;
FIG. 3 shows a back view of the hands-free holder for electronic and other devices;
FIG. 4 shows a left view of the hands-free holder for electronic and other devices;
FIG. 5 shows a right view of the hands-free holder for electronic and other devices;
FIG. 6 shows a top view of the hands-free holder for electronic and other devices; and,
FIG. 7 shows a bottom view of the hands-free holder for electronic and other devices.

The broken lines are for the purpose of illustrating optional magnet portions of a hands-free holder for electronic and other devices. The broken lines form no part of the claimed design. Shading lines on the surface portions indicate form and not surface decoration. The hands free holder for electronic and other devices has an opening for securing the holder to an airplane seat or the like and may be arranged in multiple positions.

1 Claim, 7 Drawing Sheets



(56)

References Cited

U.S. PATENT DOCUMENTS

9,033,147 B2 * 5/2015 Lee A45C 11/00
206/320
D733,150 S * 6/2015 Sirichai D14/440
9,119,308 B2 * 8/2015 Juan G06F 1/1613
D772,234 S * 11/2016 Massucco D14/440
D863,318 S * 10/2019 Zhang D14/447
D879,108 S * 3/2020 Fisk D14/447
D879,791 S * 3/2020 Li D14/447
D895,629 S * 9/2020 Li D14/440
D904,413 S * 12/2020 Feng D14/440
D912,679 S * 3/2021 He D14/447
2009/0159763 A1 * 6/2009 Kim F16M 11/22
248/174
2011/0266194 A1 * 11/2011 Bau A45C 11/00
206/736
2013/0020216 A1 * 1/2013 Chiou G06F 1/1626
206/320
2013/0134282 A1 * 5/2013 Negretti F16M 11/041
248/450
2013/0284866 A1 * 10/2013 Lee F16M 11/38
248/188.6
2018/0078068 A1 * 3/2018 Cronin A47B 23/042

* cited by examiner

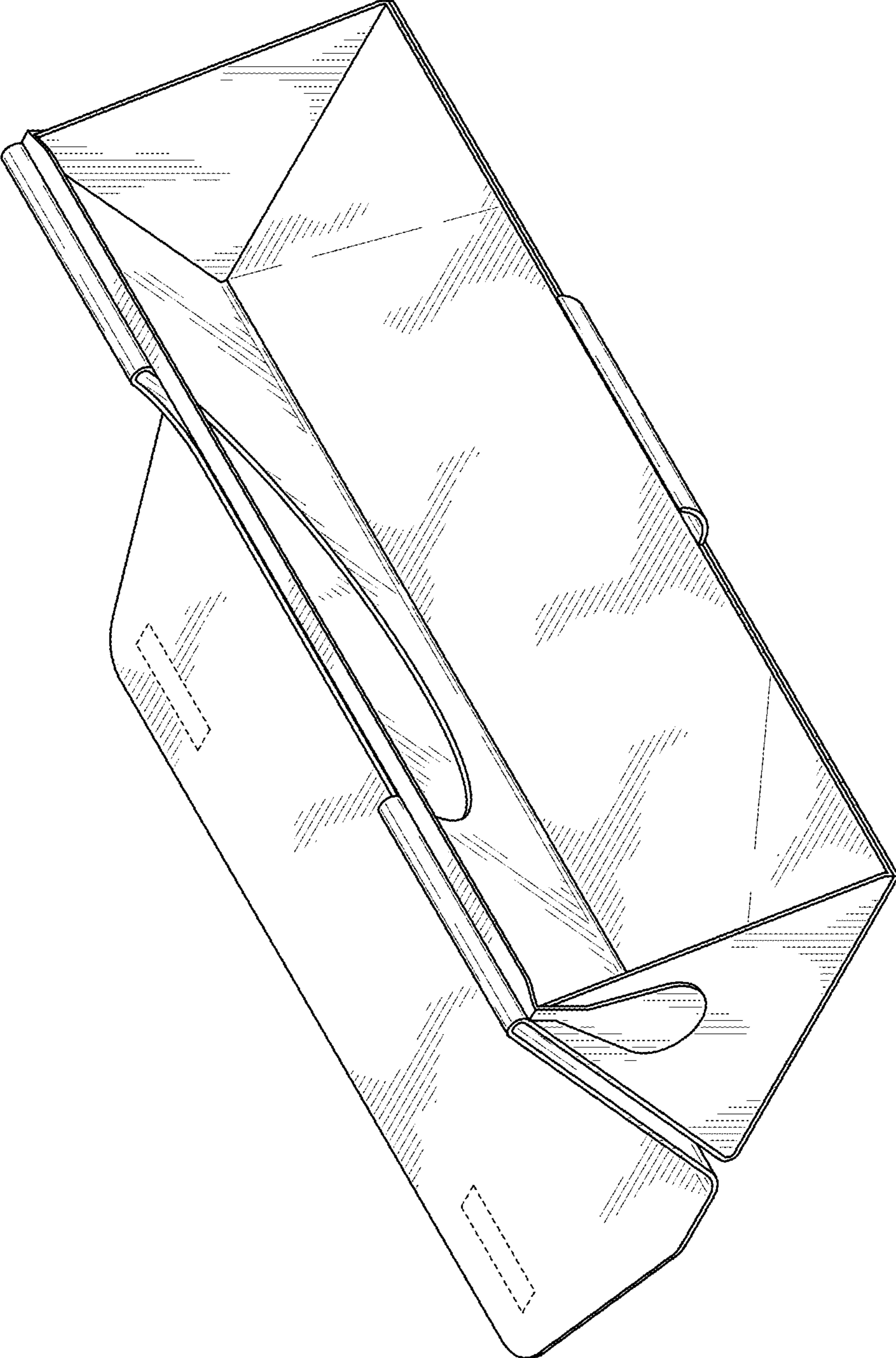


FIG. 1

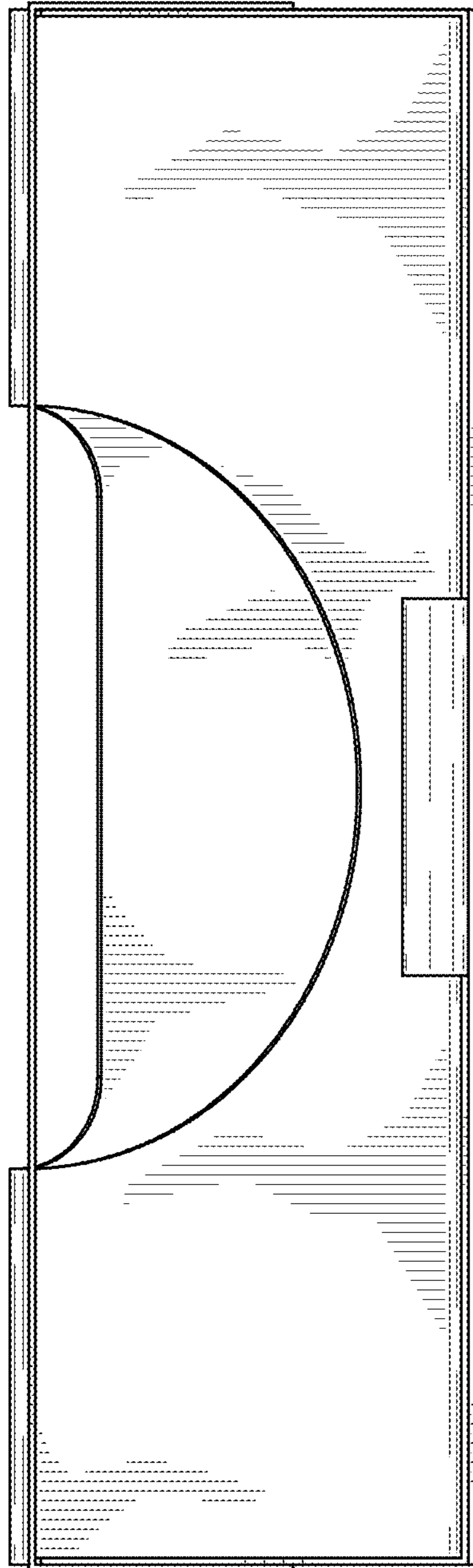


FIG. 2

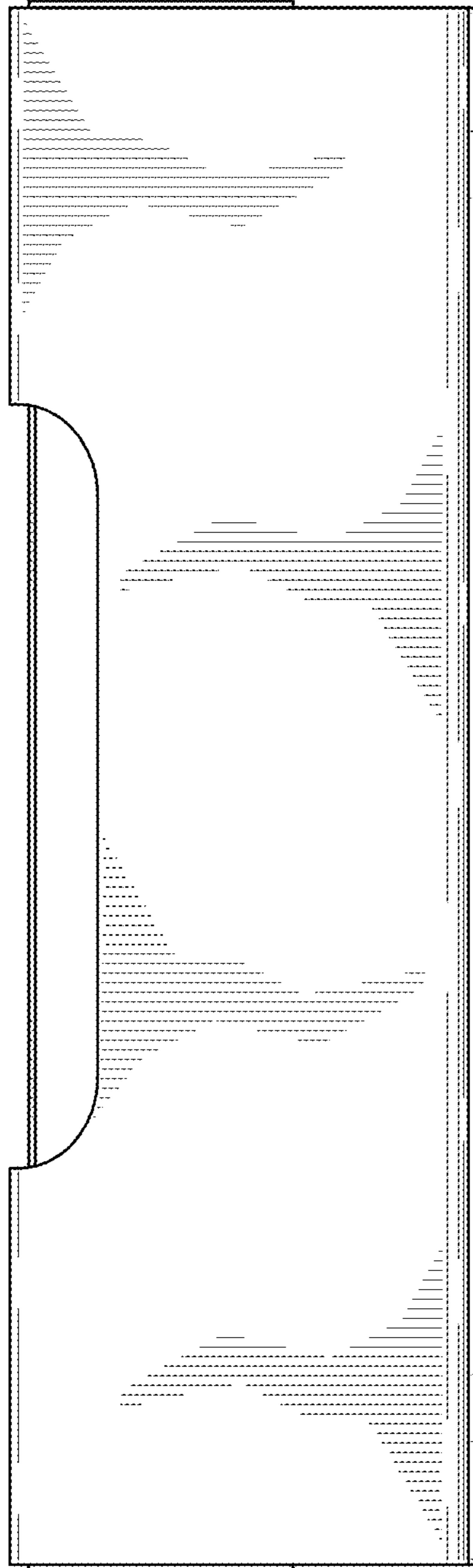


FIG. 3

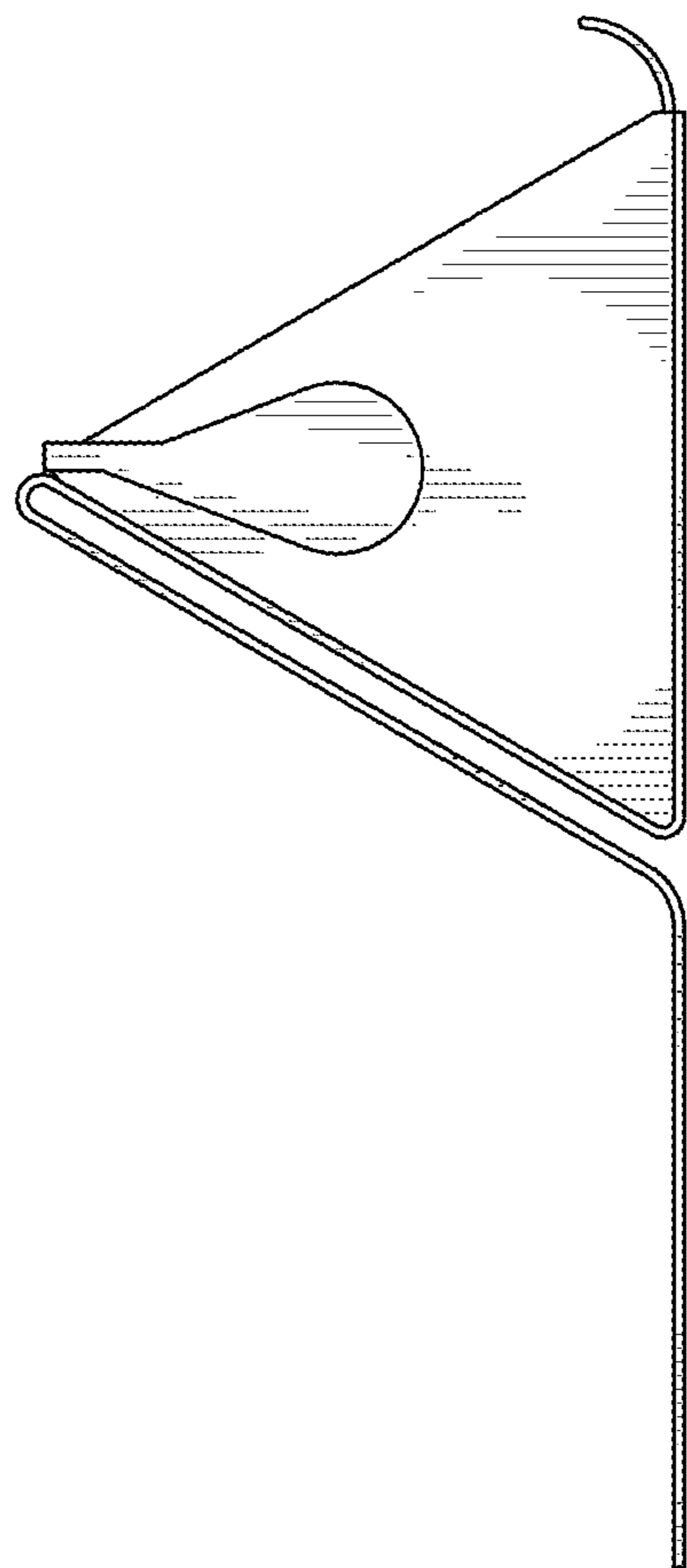


FIG. 4

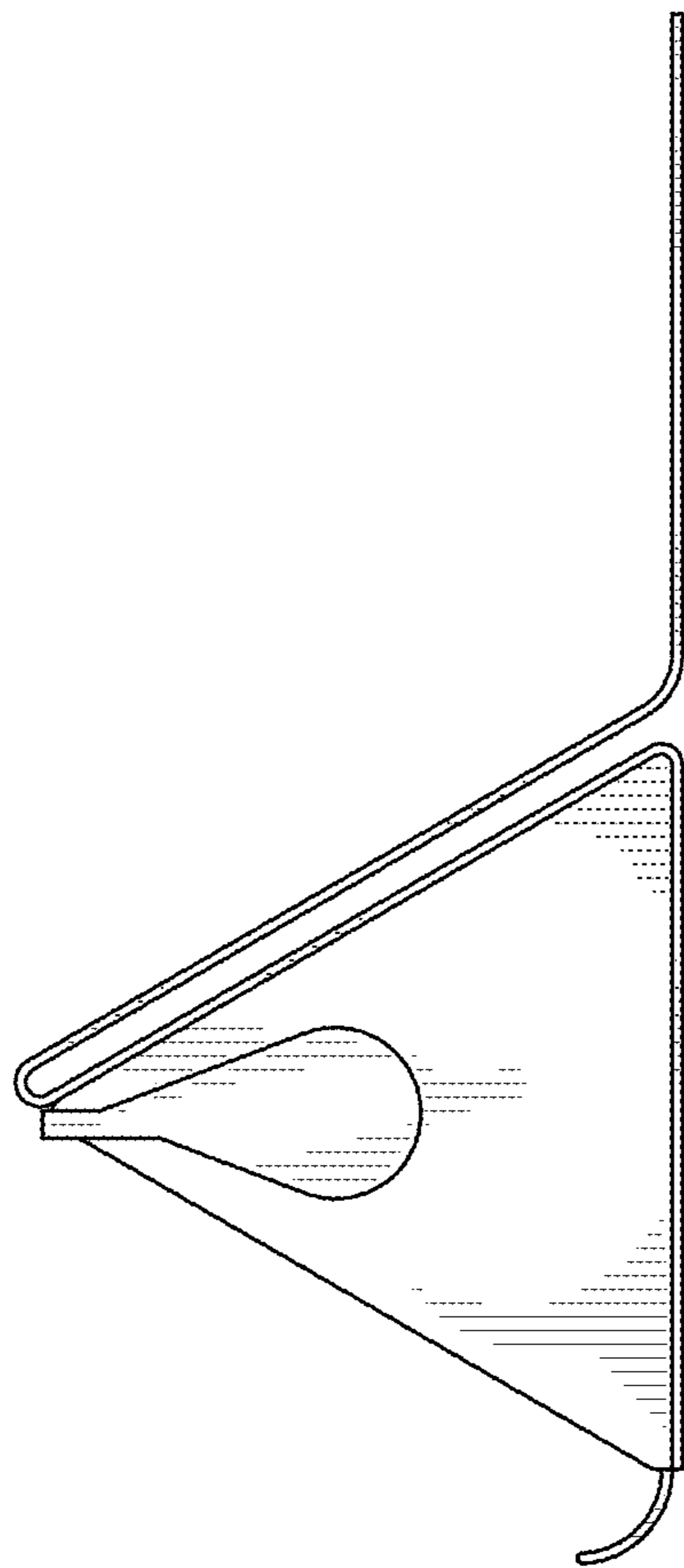


FIG. 5

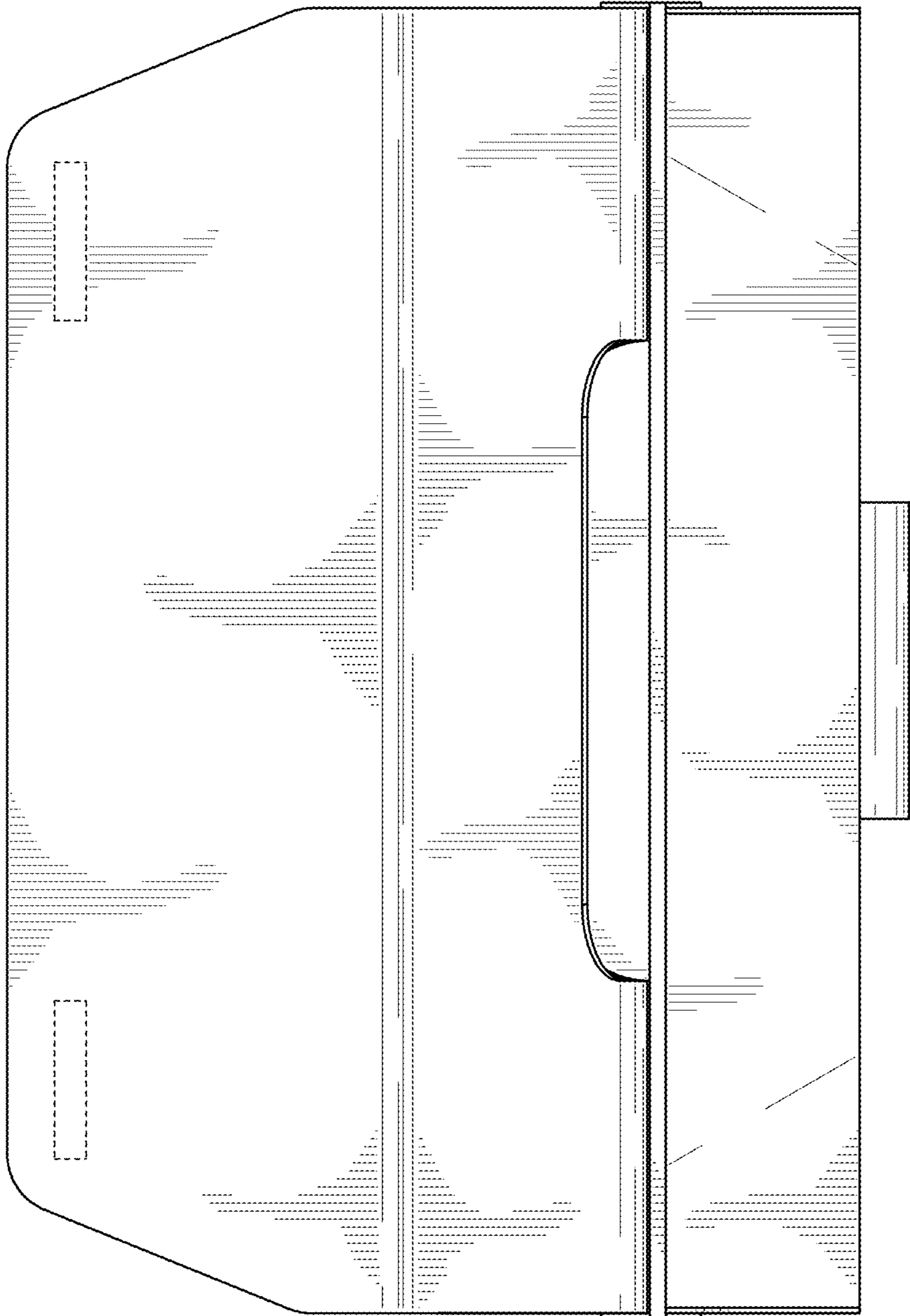


FIG. 6



FIG. 7