



US00D934227S

(12) **United States Design Patent**
Pasierb

(10) **Patent No.:** **US D934,227 S**

(45) **Date of Patent:** **** Oct. 26, 2021**

(54) **CELL PHONE POCKET**

(71) Applicant: **Marilyn Pasierb**, New York, NY (US)

(72) Inventor: **Marilyn Pasierb**, New York, NY (US)

(**) Term: **15 Years**

(21) Appl. No.: **29/659,355**

(22) Filed: **Aug. 8, 2018**

(51) **LOC (13) Cl.** **14-99**

(52) **U.S. Cl.**
USPC **D14/253**

(58) **Field of Classification Search**

USPC D14/250–254, 217, 224, 224.1, 238.1,
D14/433, 434, 447, 451, 452, 483;
D3/218; D13/107, 108; D8/349, 350,
D8/353, 354, 373, 380; D6/513, 553,
D6/567, 515, 524; D9/432, 433;
D19/75, 90

(Continued)

(56) **References Cited**

U.S. PATENT DOCUMENTS

227,856 A * 5/1880 Stoddard F16J 13/08
292/6

D35,000 S * 8/1901 Kendrick D8/349
(Continued)

OTHER PUBLICATIONS

Brochure Holder, online, no post date, URL: <https://www.advanceddisplays.com/brochure-holder/>, retrieved Jul. 17, 2020.*

(Continued)

Primary Examiner — Jeffrey D Asch

Assistant Examiner — Rebekah A Caruso

(74) *Attorney, Agent, or Firm* — Kim IP Law Group LLC

(57) **CLAIM**

The ornamental design for a cell phone pocket, as shown and described.

DESCRIPTION

FIG. 1 is a front perspective view of a cell phone pocket in accordance with the new design;

FIG. 2 is front elevational view of the cell phone pocket of FIG. 1;

FIG. 3 is a rear elevational view of the cell phone pocket of FIG. 1;

FIG. 4 is a right side elevational view of the cell phone pocket of FIG. 1;

FIG. 5 is a left side elevational view of the cell phone pocket of FIG. 1;

FIG. 6 is a top plan view of the cell phone pocket of FIG. 1;

FIG. 7 is a bottom plan view of the cell phone pocket of FIG. 1;

FIG. 8 is a front perspective view of a cell phone pocket in accordance with another embodiment of the new design;

FIG. 9 is front elevational view of the cell phone pocket of FIG. 8;

FIG. 10 is a rear elevational view of the cell phone pocket of FIG. 8;

FIG. 11 is a right side elevational view of the cell phone pocket of FIG. 8;

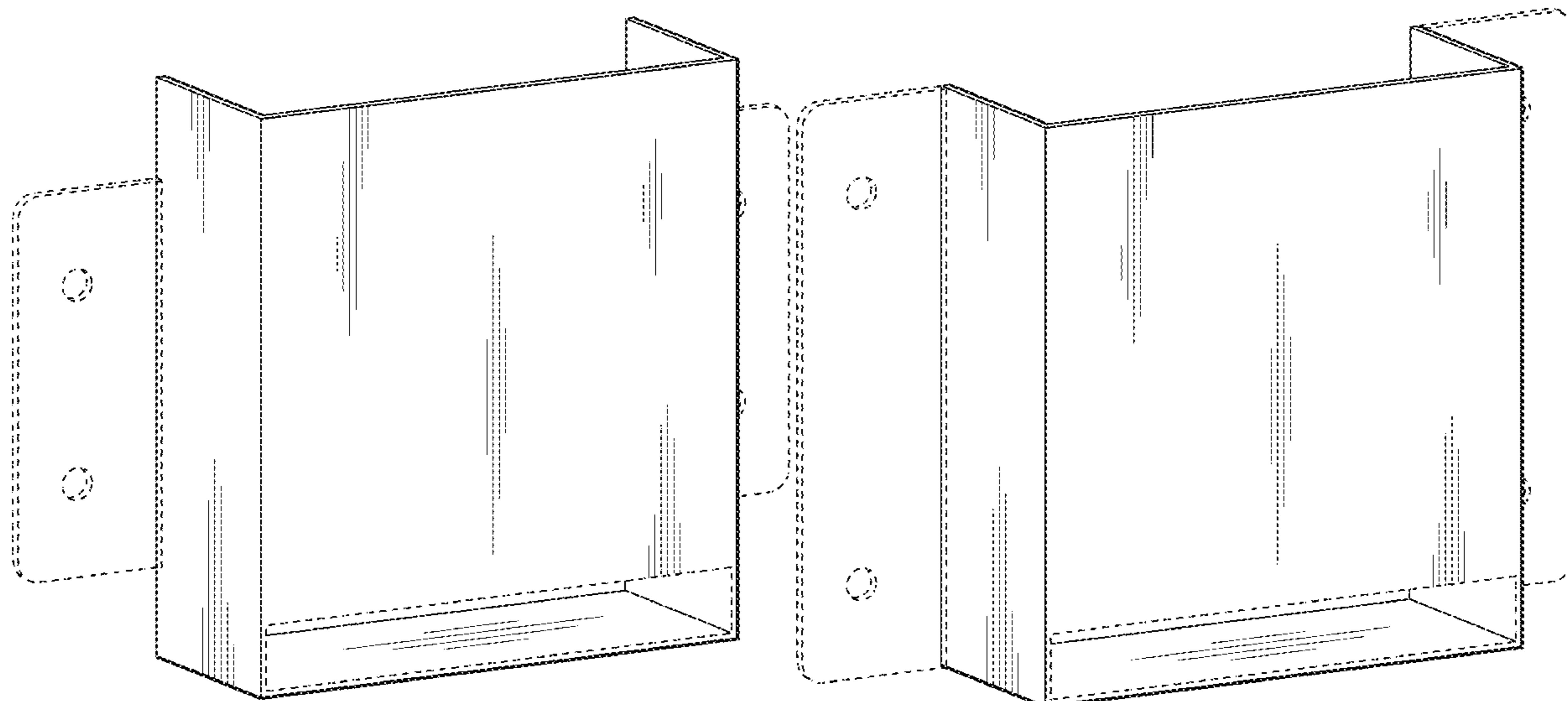
FIG. 12 is a left side elevational view of the cell phone pocket of FIG. 8;

FIG. 13 is a top plan view of the cell phone pocket of FIG. 8; and,

FIG. 14 is a bottom plan view of the cell phone pocket of FIG. 8.

The broken line rectangle located on the front of the article that is immediately adjacent to the shaded areas represents the bounds of the claimed design that acts as a claim limitation, while all other broken lines illustrate portions of the cell phone pocket that form no part of the claimed design.

1 Claim, 10 Drawing Sheets



(58) **Field of Classification Search**

CPC B60R 11/00; B60R 11/02; B60R 11/0241;
 B60R 11/0252; B60R 2011/0003; B60R
 2011/0005; B60R 2011/0008; H04M
 1/04; H04B 1/3877; A45F 2200/0516;
 A45F 2200/0525; H05K 5/0204; F16M
 13/00; F16M 13/02

See application file for complete search history.

(56) **References Cited**

U.S. PATENT DOCUMENTS

739,282 A * 9/1903 Bohn H02G 3/0431
 174/504
 1,201,159 A * 10/1916 Dettmer F41C 33/0209
 224/231
 D119,033 S * 2/1940 Bolser D6/515
 D161,127 S * 12/1950 Robins D6/553
 2,555,630 A * 6/1951 Bishner H02M 1/28
 363/13
 D165,981 S * 2/1952 Husted D6/683
 2,774,470 A * 12/1956 Q Part B65D 83/0409
 221/252
 D224,438 S * 7/1972 Rosenblum D6/515
 D224,692 S * 8/1972 Gray D6/517
 D231,291 S * 4/1974 Villaran D6/524
 D236,855 S * 9/1975 Hegel D14/238
 D250,240 S * 11/1978 Braginetz D6/515
 D250,241 S * 11/1978 Braginetz D19/90
 D256,642 S * 9/1980 Lovell D6/515
 D257,663 S * 12/1980 McKee D8/354
 D259,003 S * 4/1981 Goebel D19/78
 D279,745 S * 7/1985 Kellogg D6/517
 D304,136 S * 10/1989 Severini D6/515
 D308,784 S * 6/1990 Liptak D6/553
 D317,384 S * 6/1991 Powell D6/515
 D327,014 S * 6/1992 Heller D34/6
 D332,679 S * 1/1993 Hines D34/1
 D332,889 S * 2/1993 Hines D6/515
 D347,134 S * 5/1994 Bruggeman D6/515
 D347,137 S * 5/1994 McWhirter D6/567
 D361,462 S * 8/1995 Newham D6/567
 D365,714 S * 1/1996 Masello D6/526
 D368,196 S * 3/1996 Durocher D6/515
 D416,908 S * 11/1999 Whisenant D13/177
 D418,119 S * 12/1999 Rowell D3/218
 D423,842 S * 5/2000 Holscher D6/516
 D423,850 S * 5/2000 Holscher D6/545
 D434,880 S * 12/2000 McNary D30/101
 D437,975 S * 2/2001 Holscher D28/54.1
 D438,536 S * 3/2001 Willison D14/253
 D443,199 S * 6/2001 Swanson D8/373

D477,909 S * 8/2003 Harris D3/247
 D492,187 S * 6/2004 Mottini D8/354
 D494,813 S * 8/2004 Nguyen D19/90
 D507,959 S * 8/2005 Mottini D8/354
 D547,863 S * 7/2007 Heinsch D24/128
 D560,222 S * 1/2008 Anderson D14/451
 D564,860 S * 3/2008 Levin D8/350
 D606,348 S * 12/2009 White D6/553
 D655,702 S * 3/2012 Saxton D14/253
 D727,143 S * 4/2015 Gomez D14/251
 D776,965 S * 1/2017 Anderson D6/705
 D802,303 S * 11/2017 Eure, Jr. D3/303
 D809,318 S * 2/2018 Hammons D6/515
 D816,891 S * 5/2018 Sonneman D26/118
 D824,399 S * 7/2018 Wengreen D14/447
 D825,967 S * 8/2018 Tolokan D6/701
 10,113,833 B2 * 10/2018 Alfaro F41C 33/008
 D832,858 S * 11/2018 Wengreen D14/447
 D838,107 S * 1/2019 Daly D3/304
 D845,028 S * 4/2019 Corona D6/553
 D845,310 S * 4/2019 Wengreen D14/447
 D845,959 S * 4/2019 Wengreen D14/447
 D849,507 S * 5/2019 DeDios-Shirley D8/349
 D853,377 S * 7/2019 Crandon D14/253
 D865,487 S * 11/2019 DeDios-Shirley D8/354
 D866,465 S * 11/2019 Harrison D13/119
 D868,048 S * 11/2019 Kepniss D14/238.1
 D876,083 S * 2/2020 Hamilton D3/218
 D877,137 S * 3/2020 Engerman D14/253
 D878,049 S * 3/2020 Knight D3/304
 D891,229 S * 7/2020 Hohmann, Jr. D8/354
 D898,553 S * 10/2020 Trombley D8/354
 2014/0367395 A1 * 12/2014 Newhouse B65H 31/02
 220/660
 2015/0162948 A1 * 6/2015 Restivo H04B 1/3888
 455/575.8
 2015/0196176 A1 * 7/2015 Felix B65D 83/0805
 221/46
 2016/0080681 A1 * 3/2016 Bynum H04N 5/655
 348/836
 2016/0081209 A1 * 3/2016 Brewer H04M 1/04
 340/539.32

OTHER PUBLICATIONS

Single Pocket Wall Mount Brochure Holder, online, no post date,
 URL: <http://www.oempromo.com/product/Display-Show-Material/S/Single-Pocket-Wall-Mount-Brochure-Holder--8-1-2-124873.htm>,
 retrieved Jul. 17, 2020.*

3 Pocket Wall Mount Holder, online, no post date, URL: <https://www.displaysandholders.com/3-pocket-wall-mount-holder.html>,
 retrieved Jul. 17, 2020.*

* cited by examiner

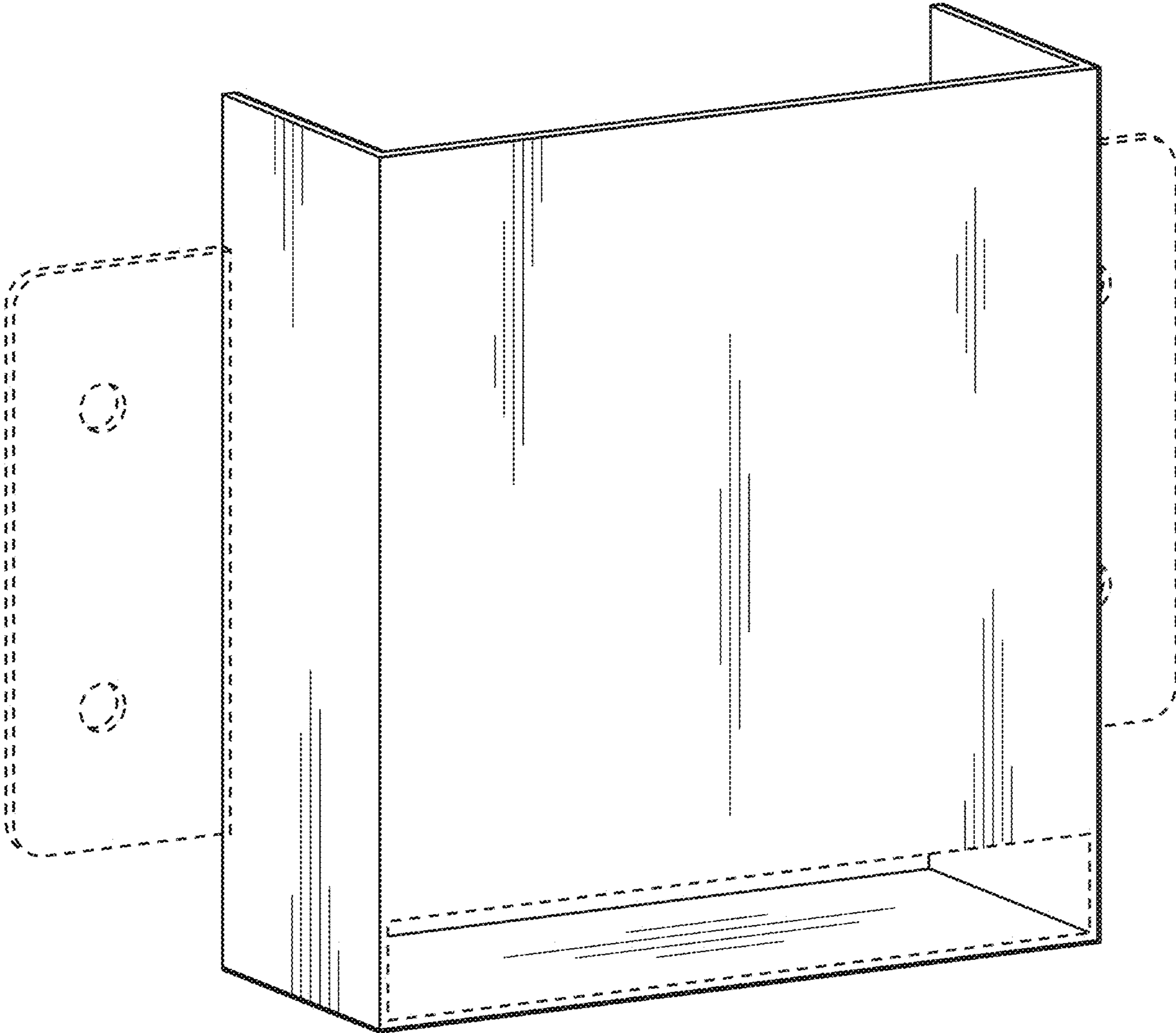


FIG. 1

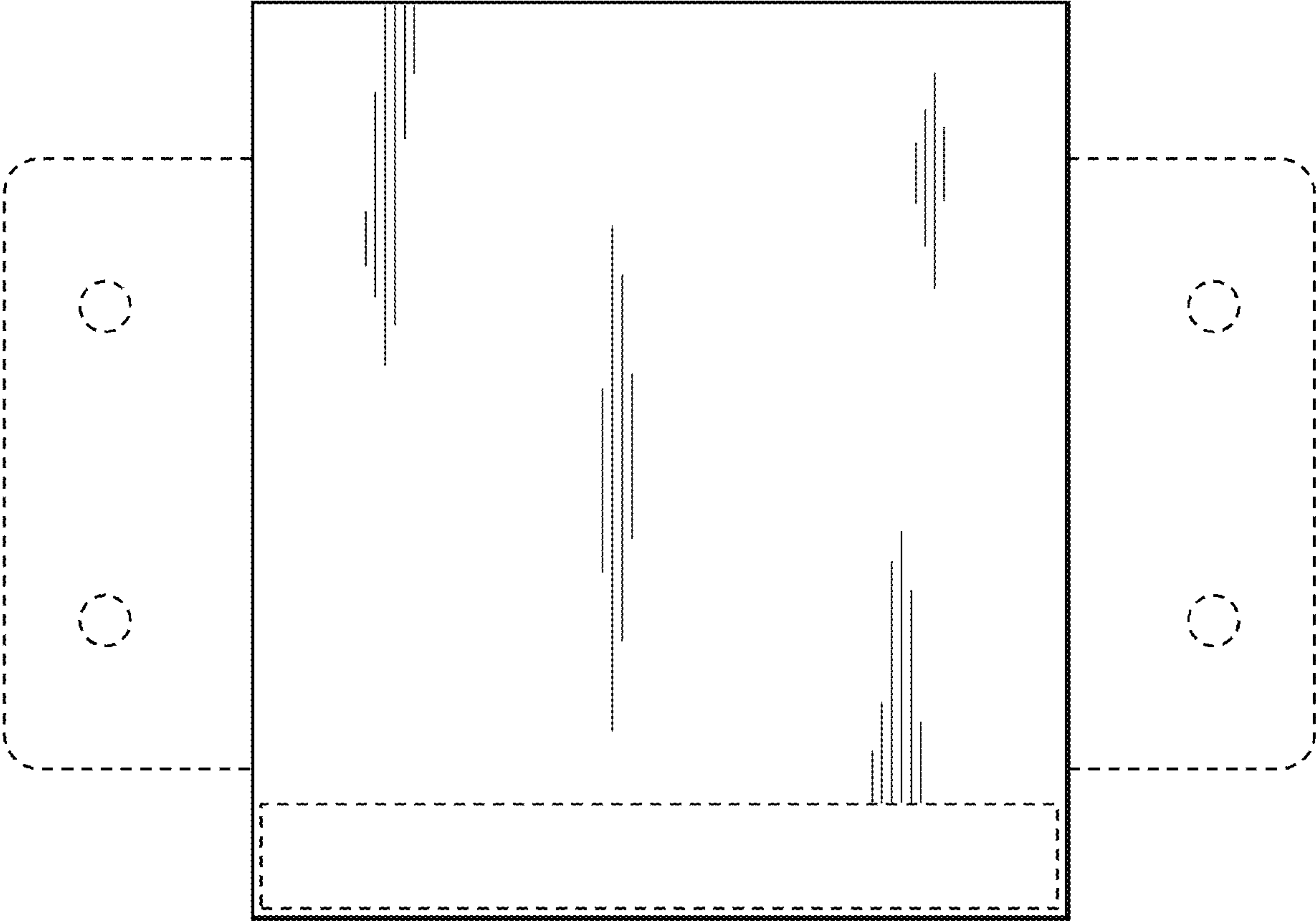


FIG. 2

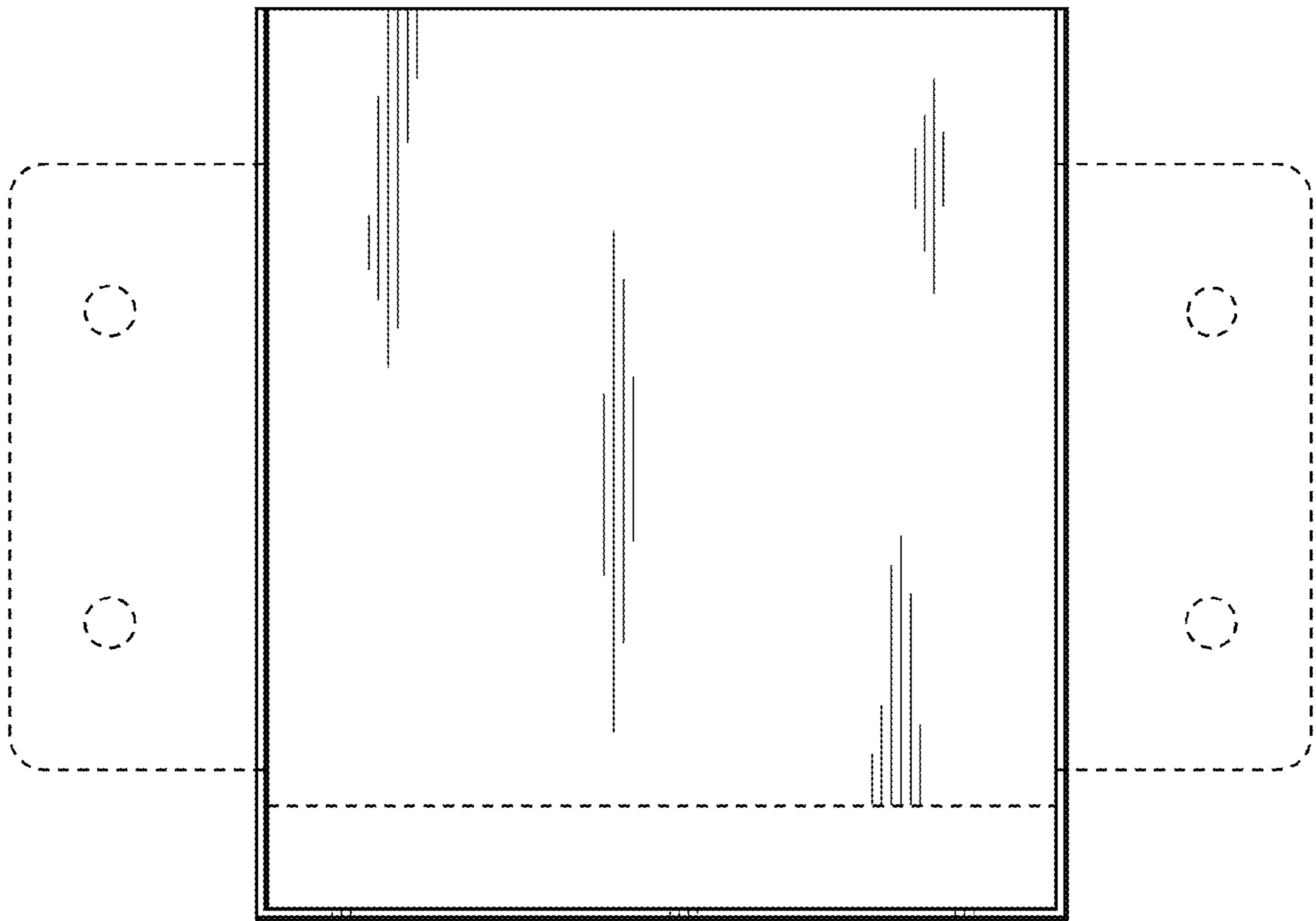


FIG. 3

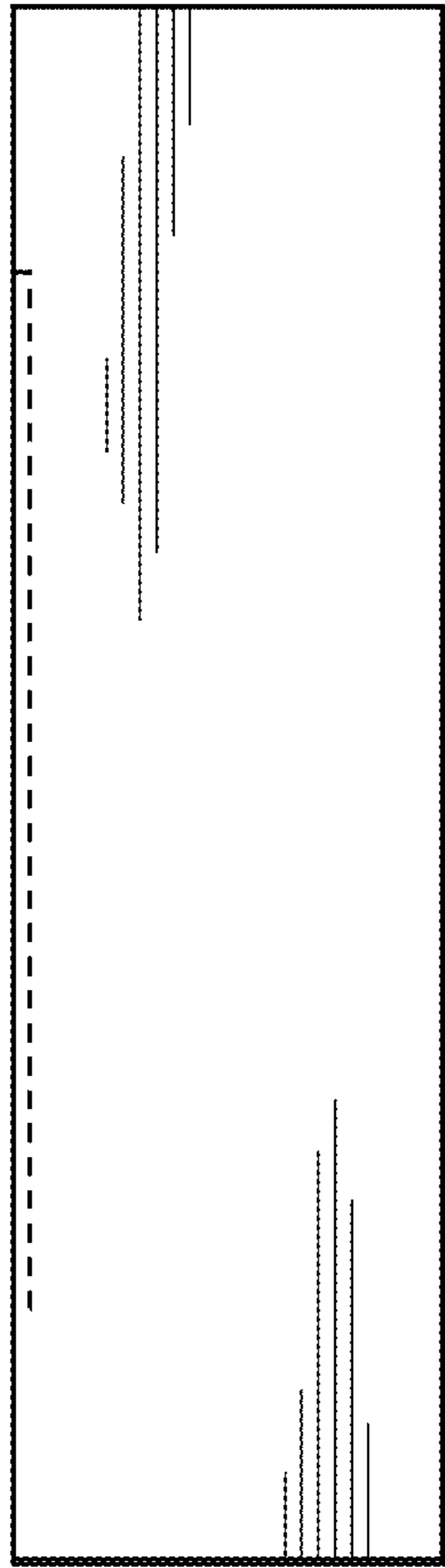


FIG. 4

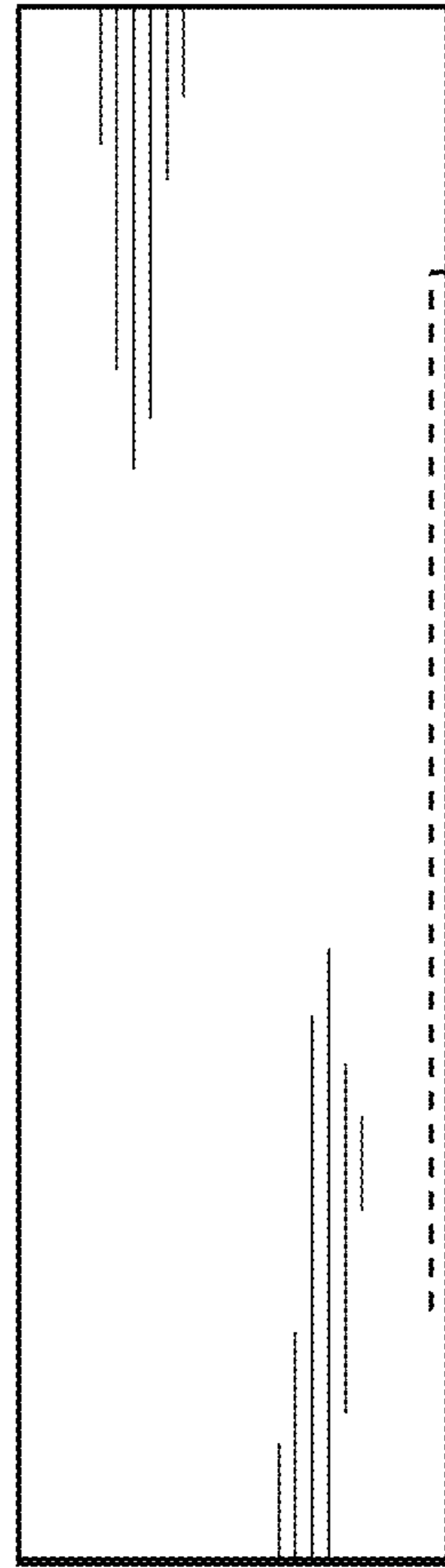


FIG. 5

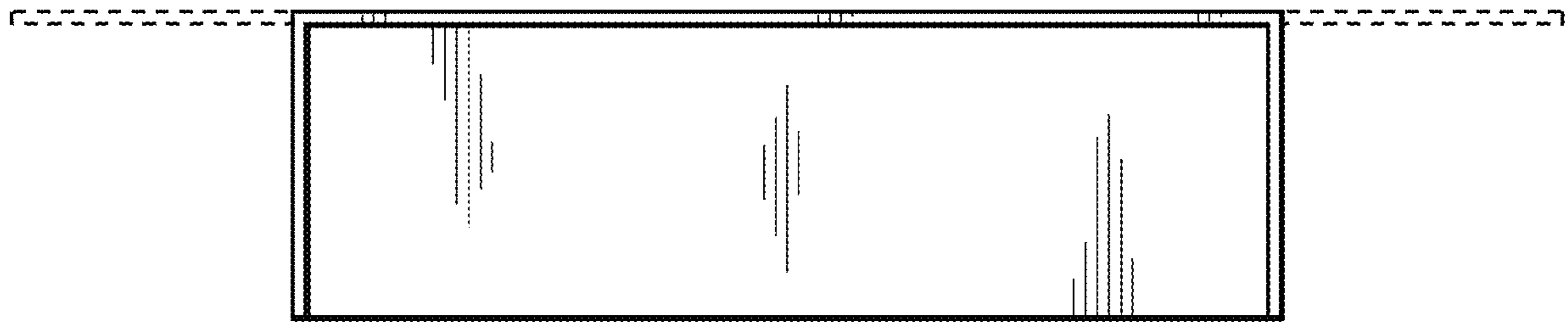


FIG. 6

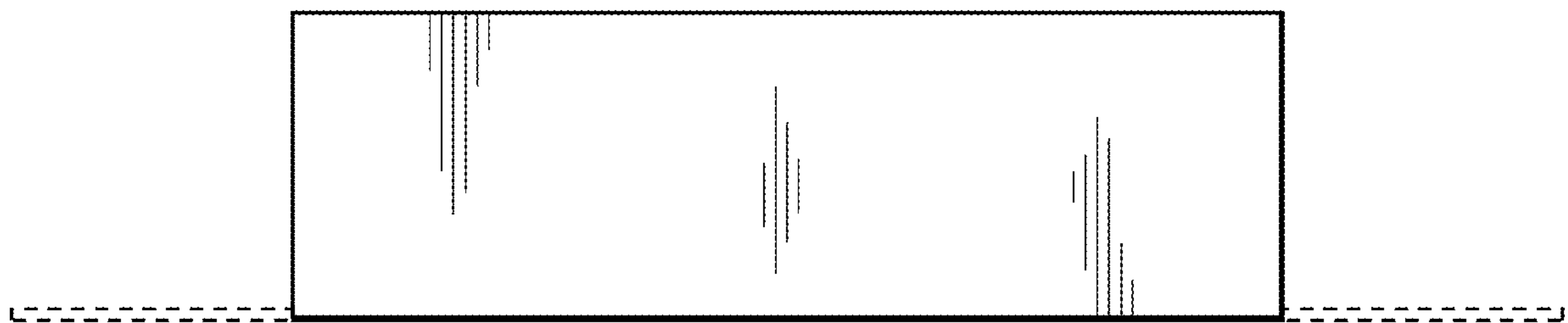


FIG. 7

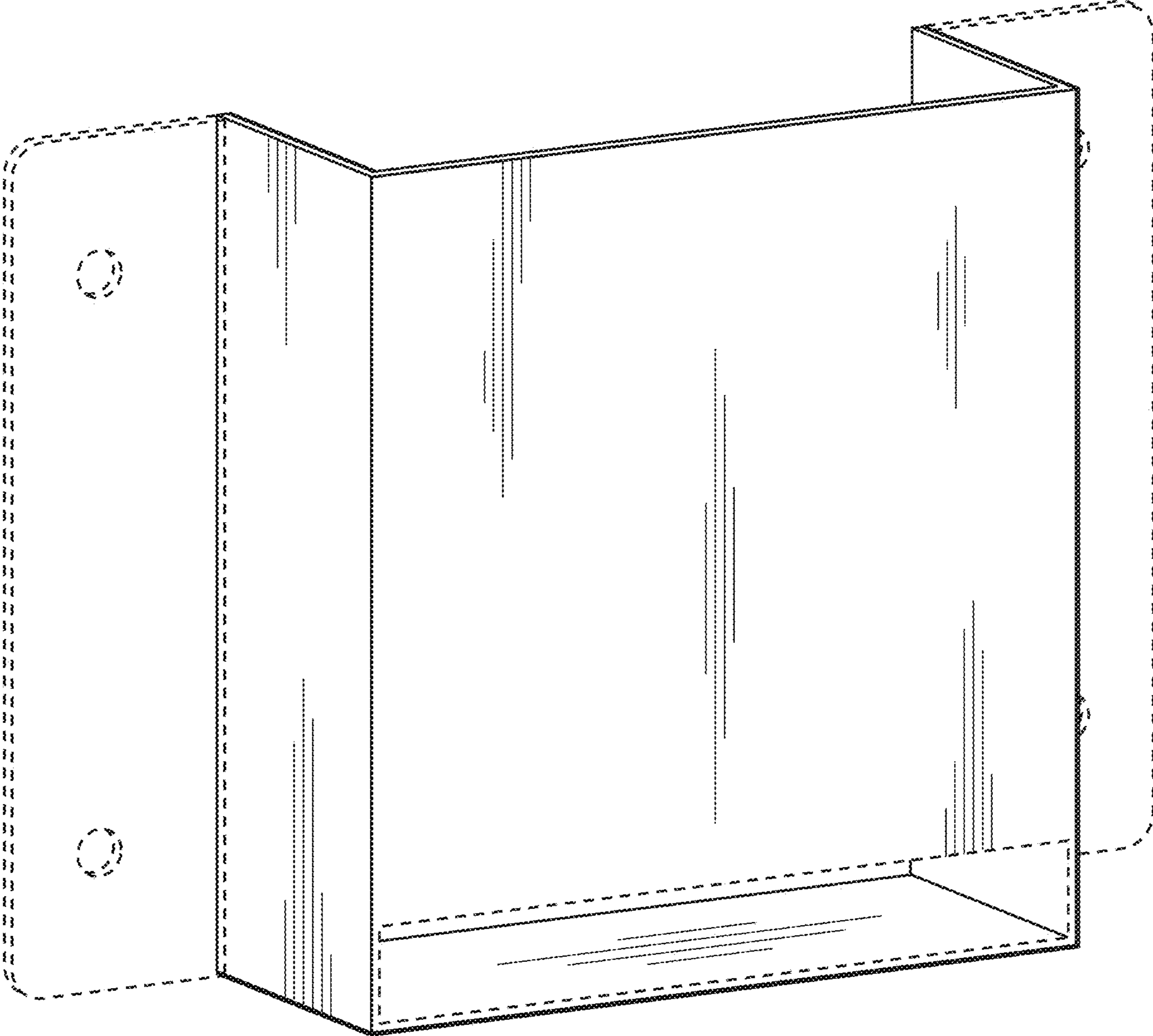


FIG. 8

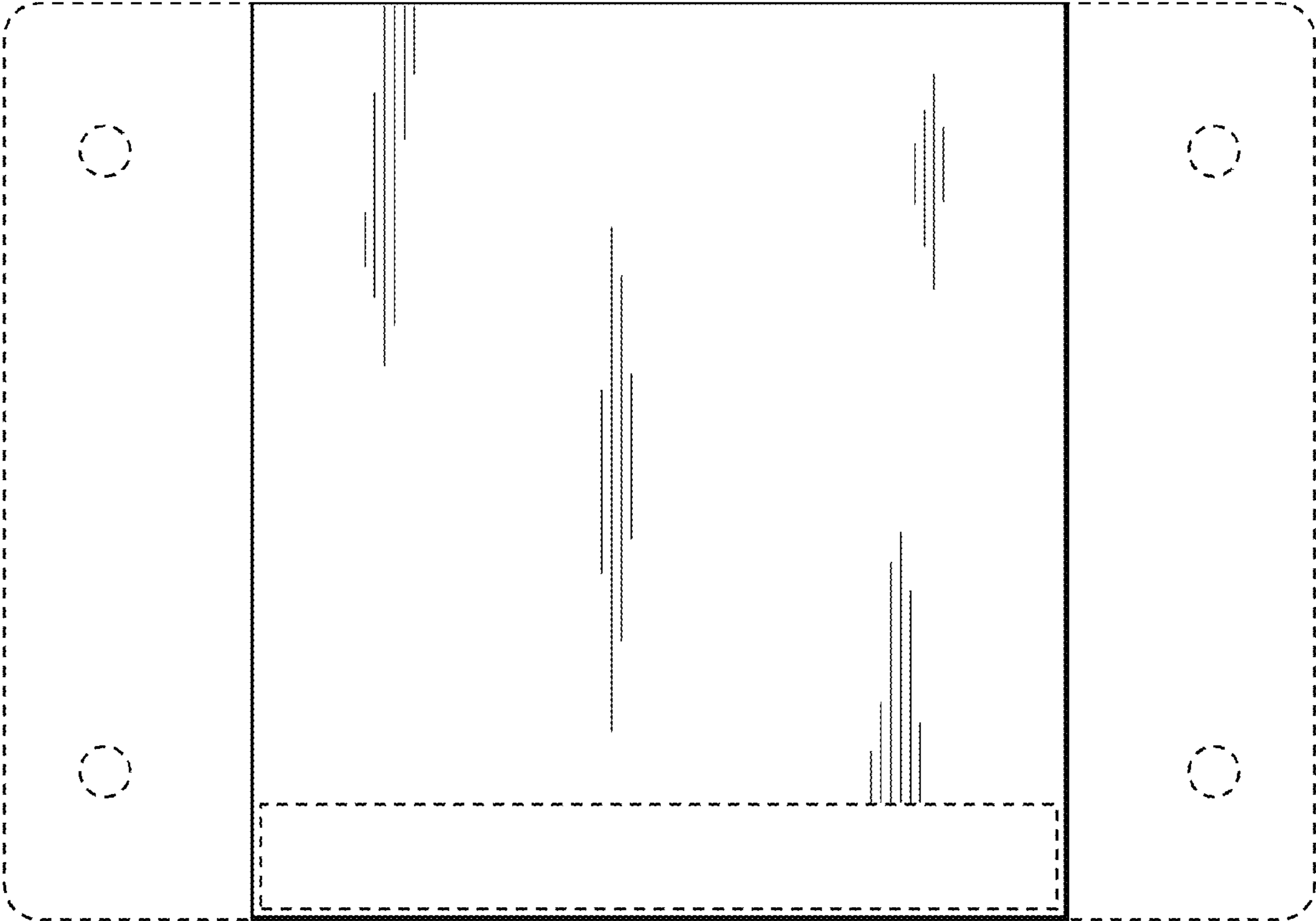


FIG. 9

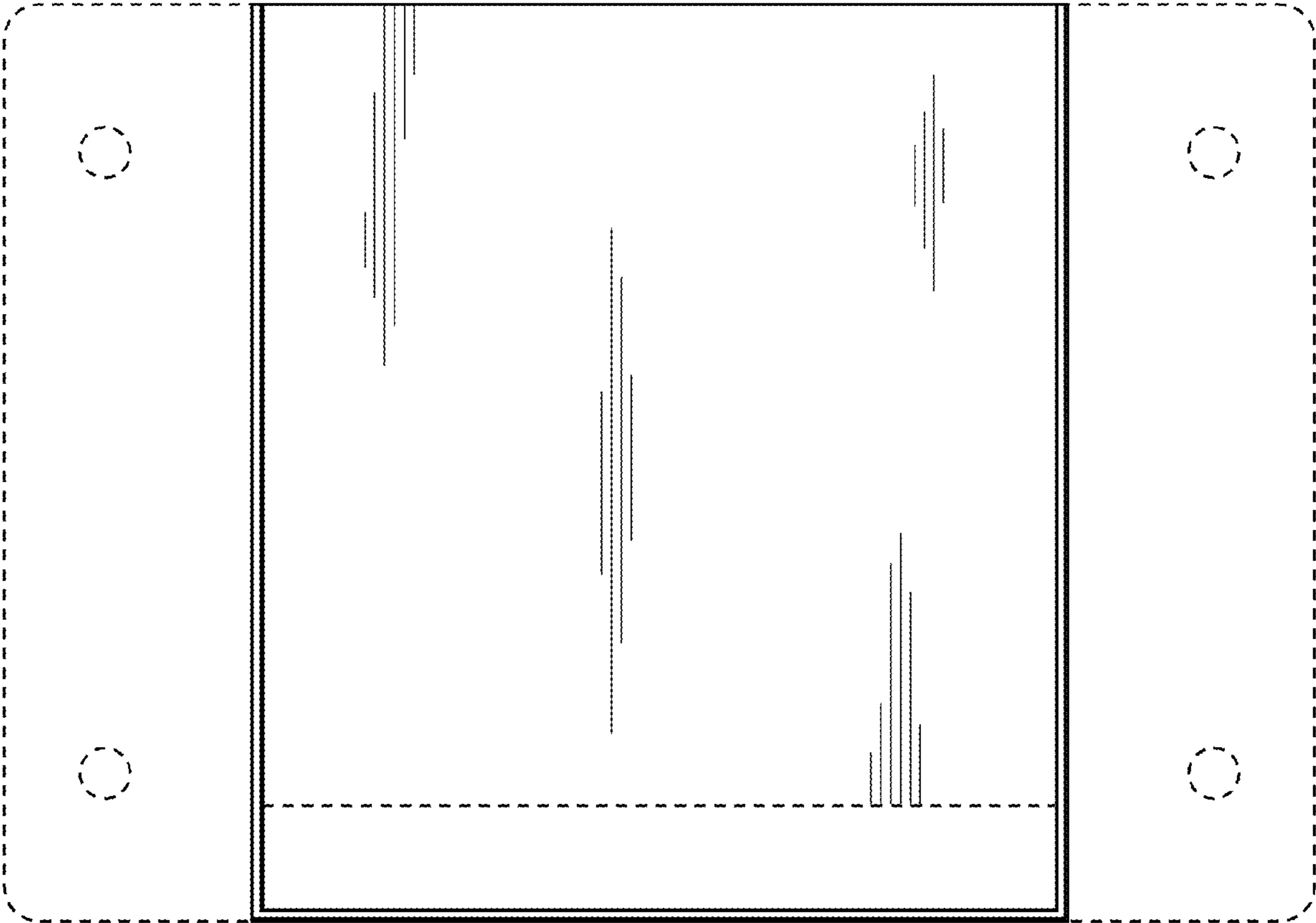


FIG. 10

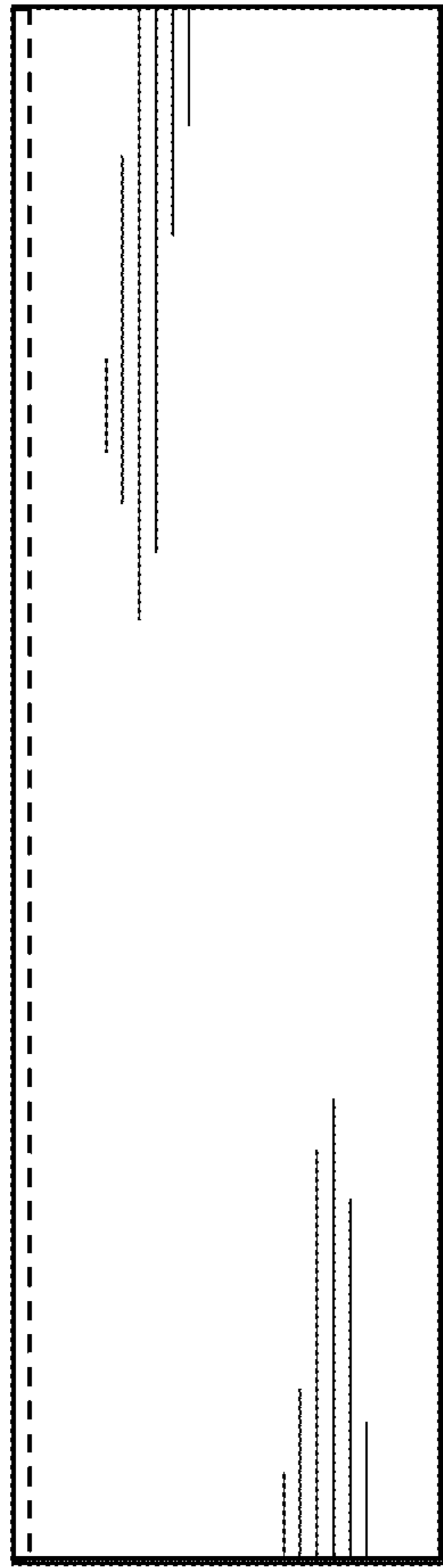


FIG. 11

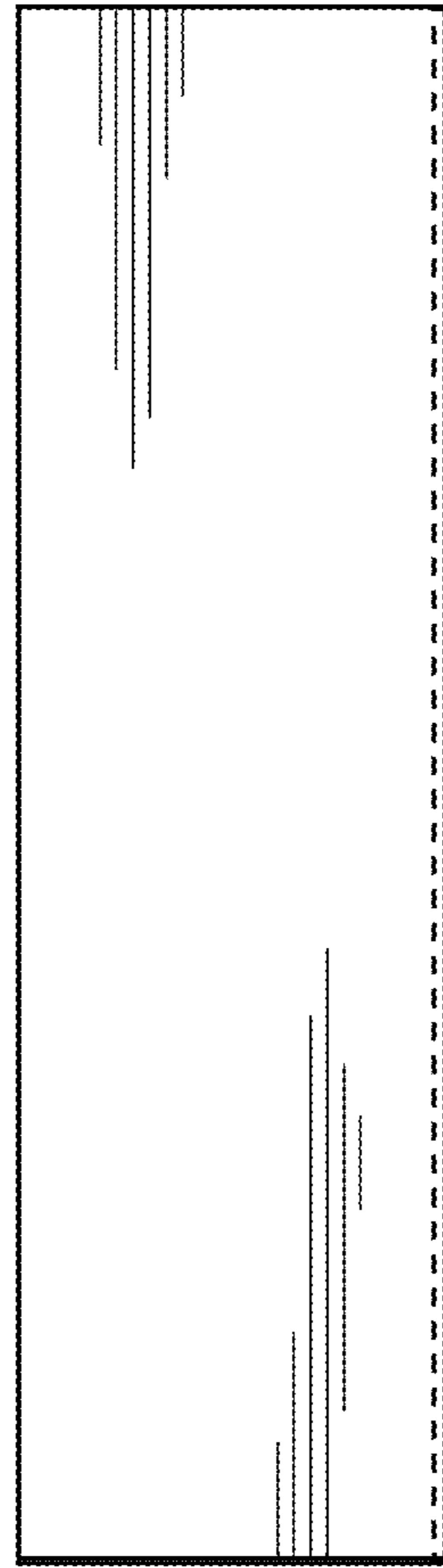


FIG. 12

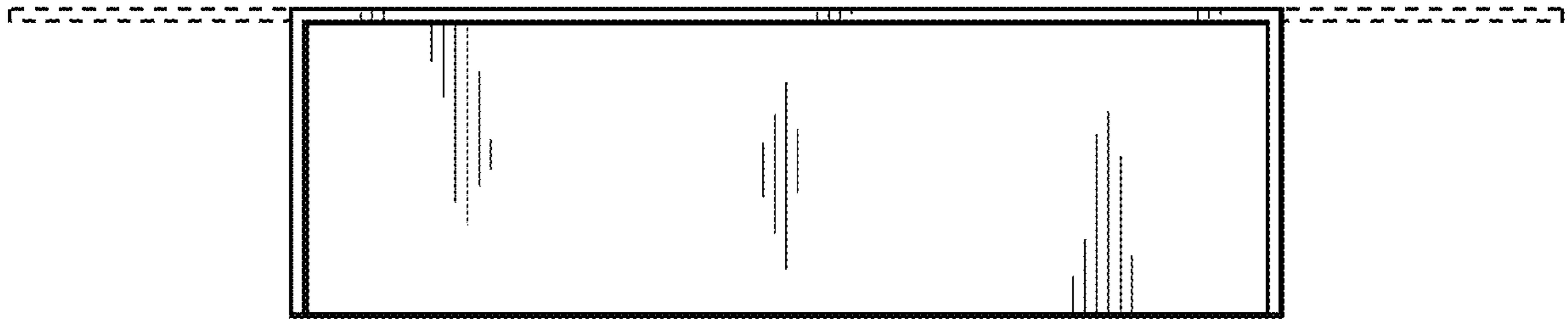


FIG. 13

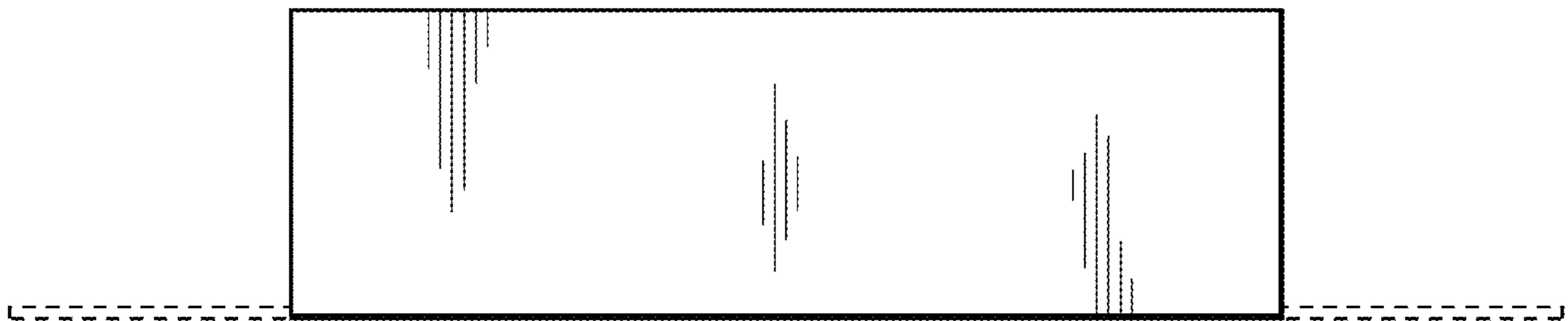


FIG. 14